



US00D617360S

(12) **United States Design Patent**
Endo et al.

(10) **Patent No.:** **US D617,360 S**
(45) **Date of Patent:** **** Jun. 8, 2010**

(54) **OPERATING DIAL FOR AN IMAGE
ADJUSTING APPARATUS**

D566,158 S * 4/2008 Yasutomi D16/219
2009/0268317 A1 * 10/2009 Nairn et al. 359/819

(75) Inventors: **Hidetoshi Endo**, Tokyo (JP); **Hideki
Tsuboi**, Koganei (JP)

FOREIGN PATENT DOCUMENTS
JP D1257457 12/2005

(73) Assignees: **Ikegami Tsushinki Co., Ltd.** (JP);
Kabushiki Kaisha Toshiba (JP)

OTHER PUBLICATIONS

(**) Term: **14 Years**

Grass Valley Catalog of a Turbo iDDR “Intelligent Digital Disk
Recorder”; www.thomsongrassvalley.co.jp.
Sony Catalog of an XDCAM HD422 “PDW-HD1500”; www.sony.
co.jp/XDCAM.

(21) Appl. No.: **29/336,273**

* cited by examiner

(22) Filed: **Apr. 30, 2009**

Primary Examiner—Ian Simmons

Assistant Examiner—Wan Laymon

(30) **Foreign Application Priority Data**

(74) *Attorney, Agent, or Firm*—Banner & Witcoff, Ltd.

Nov. 18, 2008 (JP) 2008-029506

(57) **CLAIM**

(51) **LOC (9) Cl.** **16-06**

(52) **U.S. Cl.** **D16/134; D16/219**

(58) **Field of Classification Search** D16/134,
D16/136, 200, 202–204, 219, 235, 237; D8/300,
D8/310, 312; D18/12, 18; 348/373–376;
353/97, 98, 100, 119, 122; 359/815, 819,
359/826–828, 822, 829; 396/529, 535, 540,
396/541, 544; 362/182, 187, 191
See application file for complete search history.

The ornamental design for an operating dial for an image
adjusting apparatus, as shown and described.

DESCRIPTION

(56) **References Cited**

U.S. PATENT DOCUMENTS

2,428,719 A * 10/1947 Nemeth D16/134
5,032,919 A * 7/1991 Randmae 348/374
5,471,374 A * 11/1995 Palmer 362/191
D428,428 S * 7/2000 Ono D16/134
D449,322 S * 10/2001 Ono et al. D16/134
6,819,509 B2 * 11/2004 Wisecarver et al. 359/819
D552,147 S * 10/2007 Tajima D16/219
D562,862 S * 2/2008 Yasutomi D16/134

FIG. 1 is a front, top and right side perspective view of an
operating dial for an image adjusting apparatus, showing our
new design;

FIG. 2 is a front elevational view thereof;

FIG. 3 is a rear elevational view thereof;

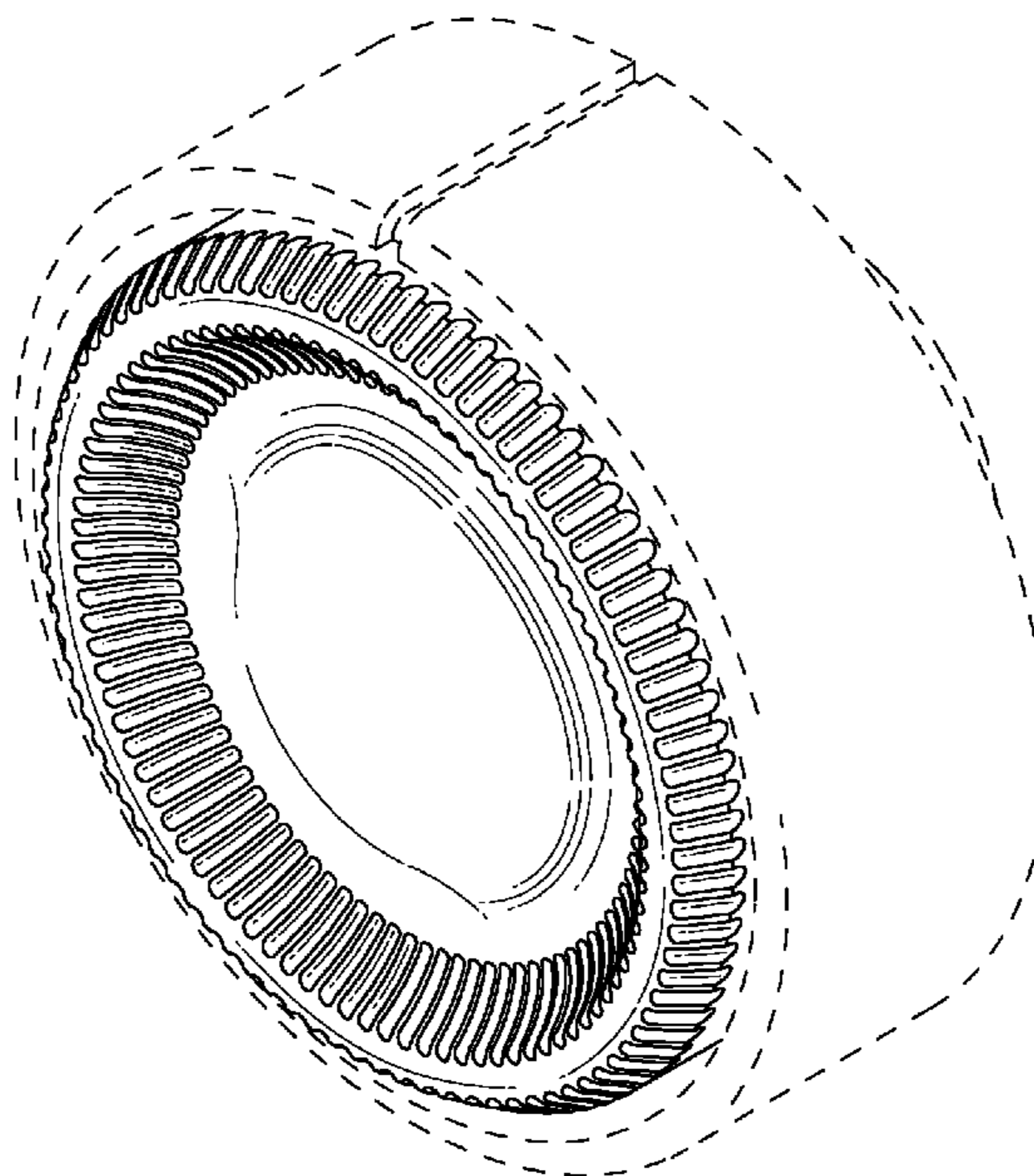
FIG. 4 is a top plan view thereof;

FIG. 5 is a bottom plan view thereof; and,

FIG. 6 is a right side elevational view thereof; and the oppo-
site side being a mirror image thereof.

The broken lines are for illustrative purposes only and form
no part of the claimed design.

1 Claim, 4 Drawing Sheets



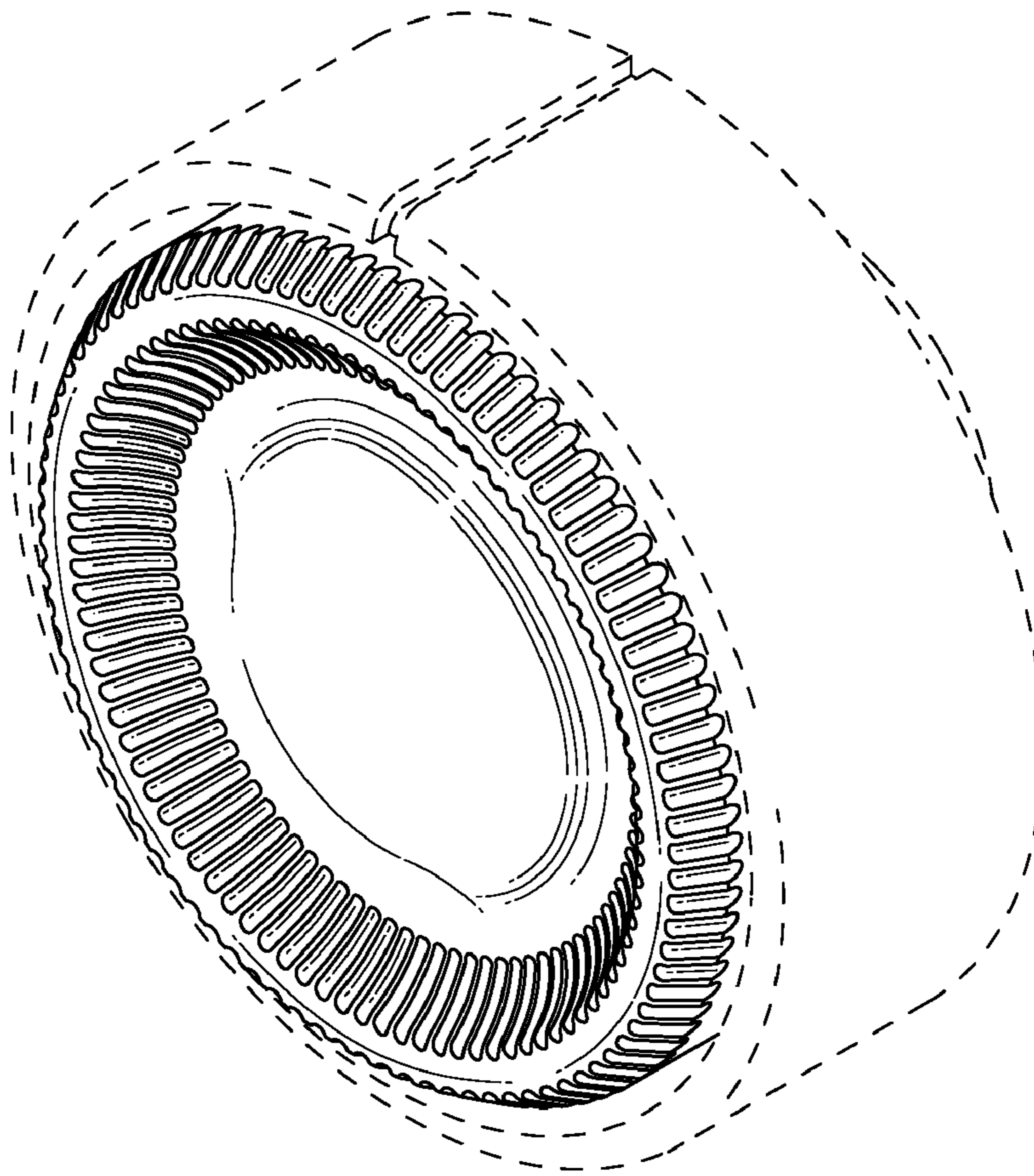


FIG.1

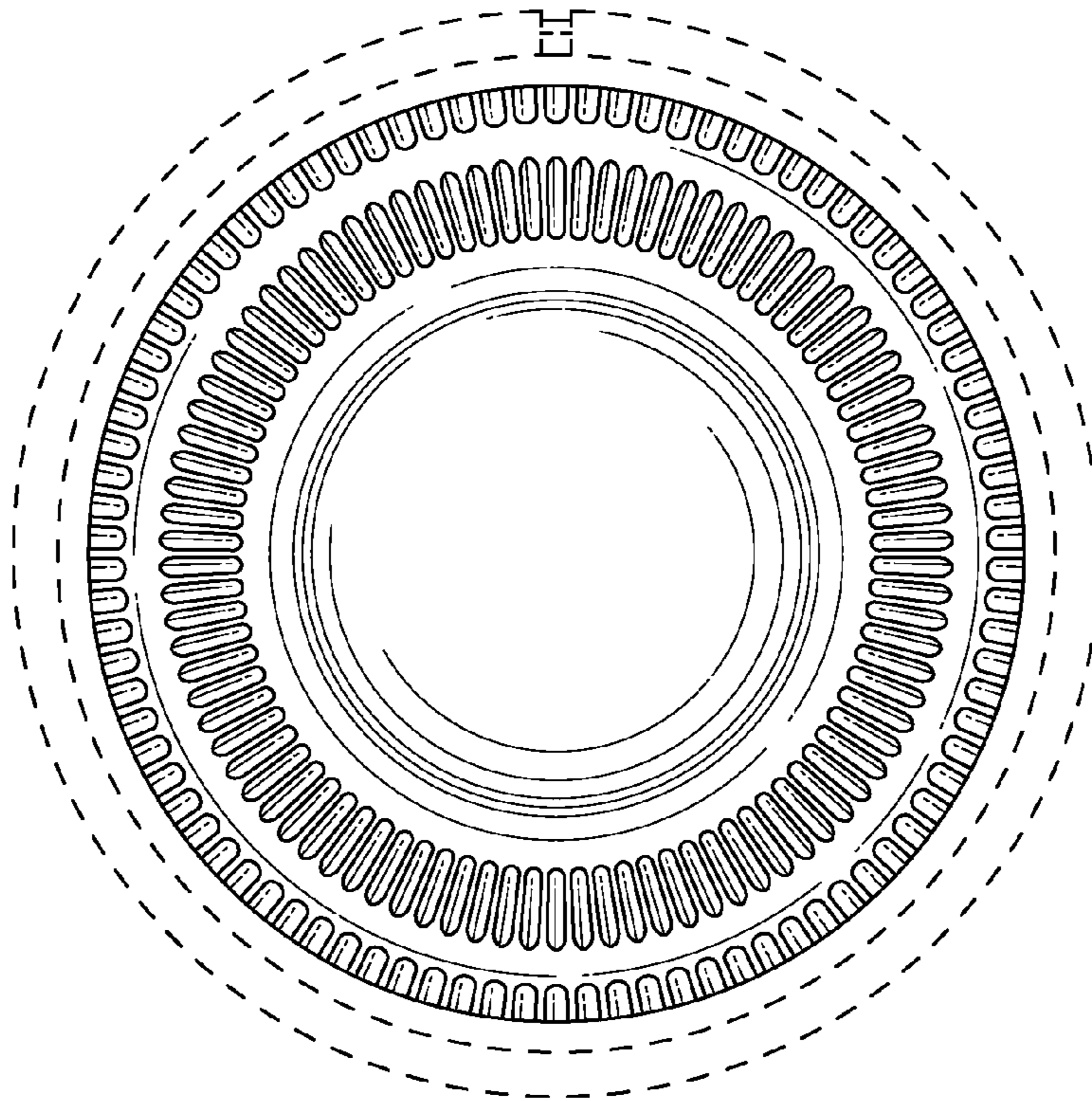


FIG.2

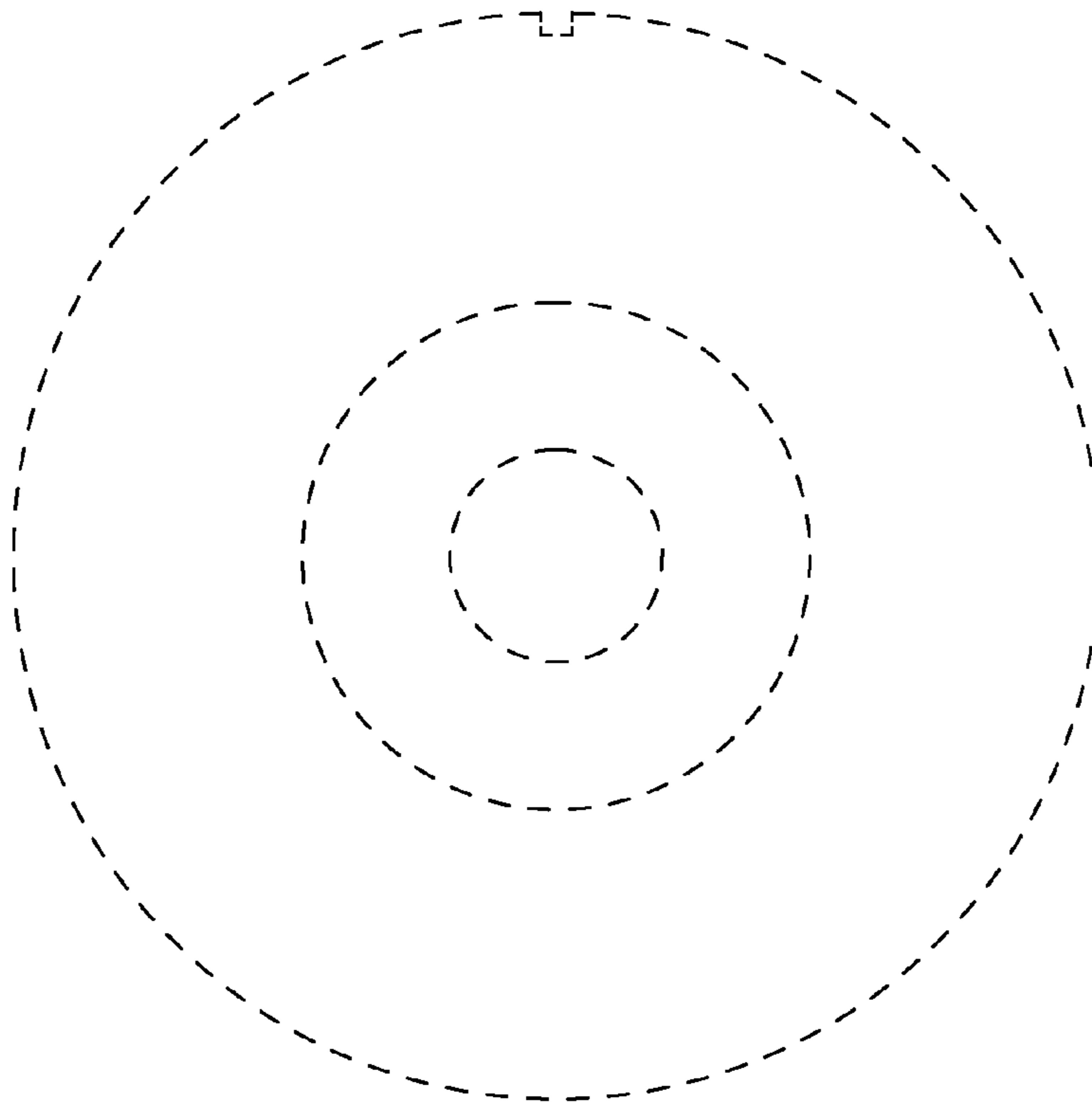


FIG.3

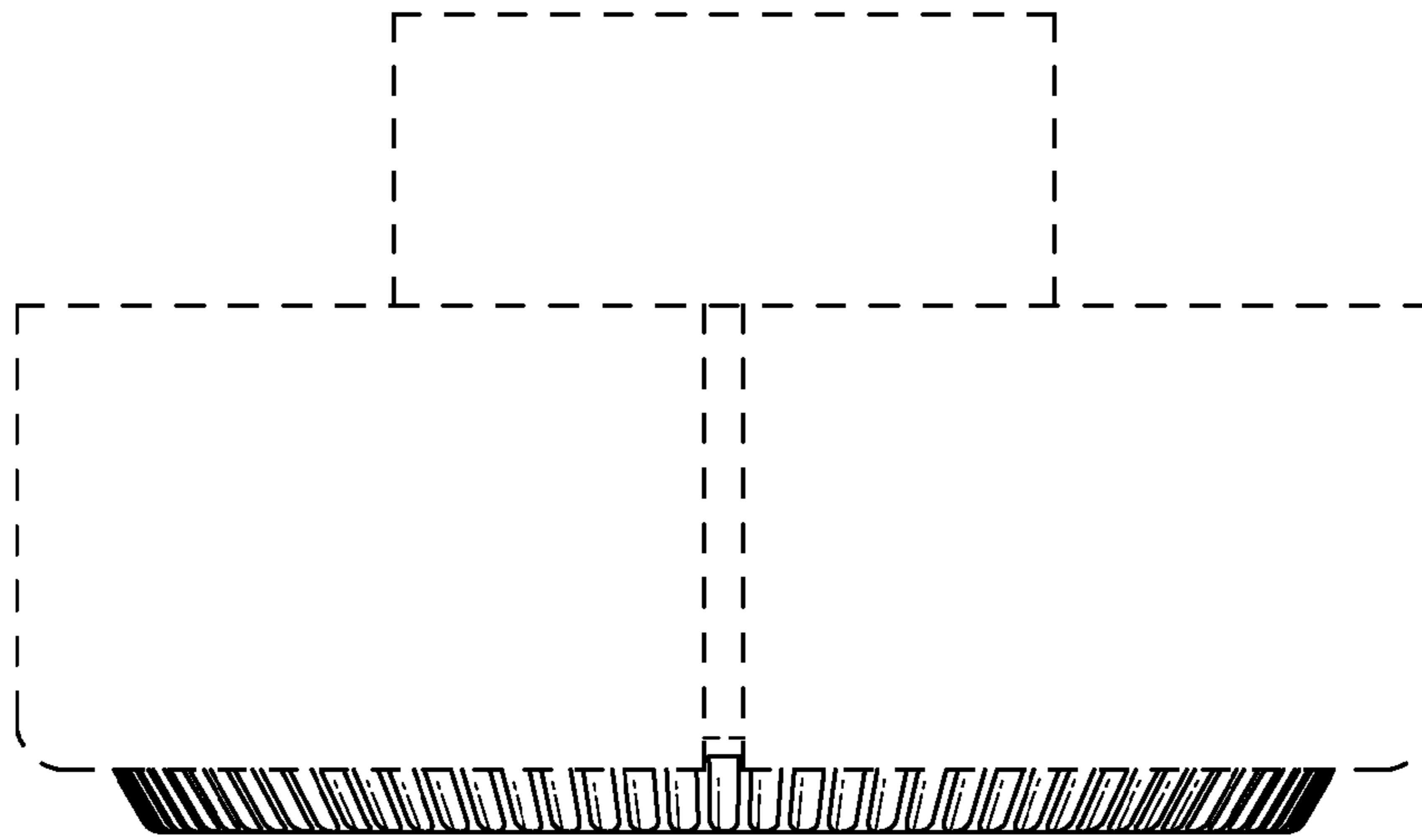


FIG. 4

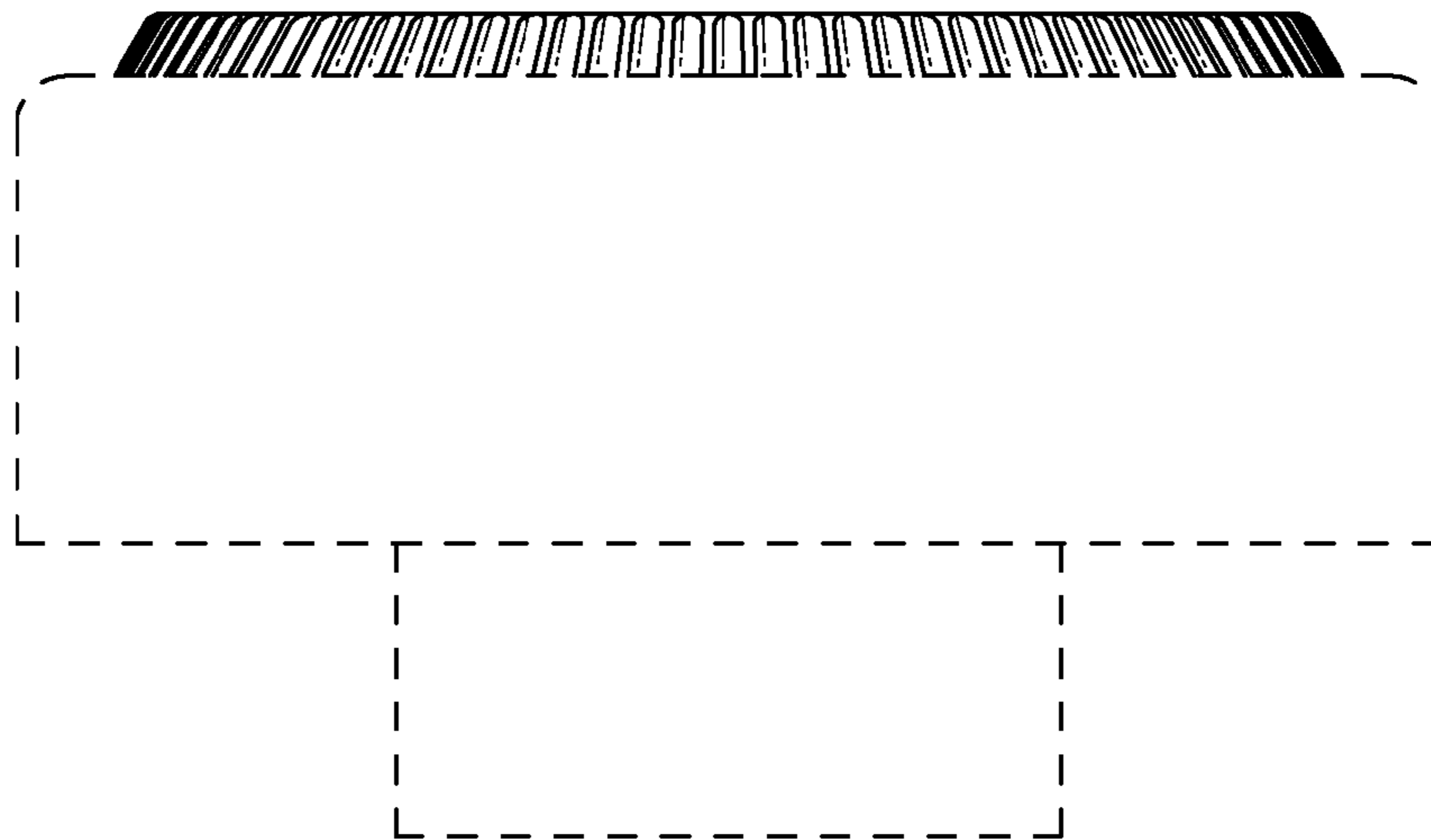


FIG. 5

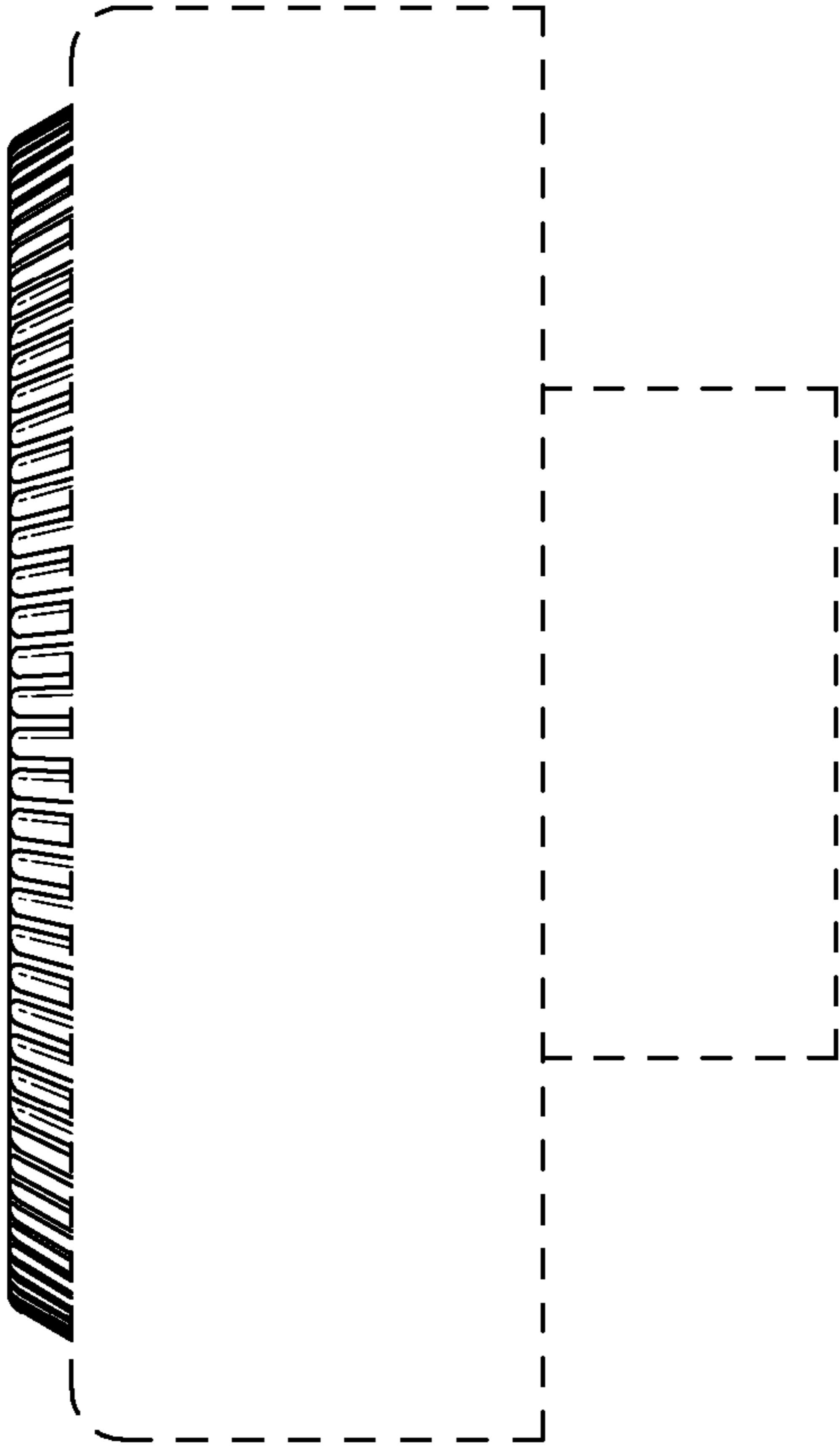


FIG. 6