



US00D617359S

(12) **United States Design Patent**
Malmberg

(10) **Patent No.:** **US D617,359 S**

(45) **Date of Patent:** **** Jun. 8, 2010**

(54) **SUPPORT CARRIER FOR A VIBRATION SCREEN**

(75) Inventor: **Mats Malmberg**, Rydsgård (SE)

(73) Assignee: **Sandvik Intellectual Property AB**, Sandviken (SE)

(**) Term: **14 Years**

(21) Appl. No.: **29/347,163**

(22) Filed: **Oct. 8, 2009**

(30) **Foreign Application Priority Data**

Apr. 9, 2009 (EM) 001120398

(51) **LOC (9) Cl.** **15-09**

(52) **U.S. Cl.** **D15/147**

(58) **Field of Classification Search** D9/434;
D12/317, 318; D15/147; D25/119, 121,
D25/122, 124; 209/269, 307, 309, 372, 405,
209/408, 412

See application file for complete search history.

(56) **References Cited**

U.S. PATENT DOCUMENTS

- D264,689 S * 6/1982 Miller D9/434
- D276,596 S * 12/1984 Kisha D9/435
- D288,614 S * 3/1987 Bos D25/122
- 4,887,335 A * 12/1989 Folkmar 24/30.5 R
- 4,909,929 A * 3/1990 Tabor 209/400
- D310,020 S * 8/1990 Fujioka D8/396
- D350,696 S * 9/1994 Naslund D9/443
- D351,668 S * 10/1994 Lim et al. D25/121

(Continued)

Primary Examiner—Sandra Snapp

Assistant Examiner—Patricia Palasik

(74) *Attorney, Agent, or Firm*—Drinker Biddle & Reath LLP

(57) **CLAIM**

I claim the ornamental design for a support carrier for a vibration screen, as shown and described.

DESCRIPTION

FIG. 1 is a bottom plan view of the support carrier for a vibration screen shown in its entirety;

FIG. 2 is a side view from one side thereof;

FIG. 3 is a top plan view thereof;

FIG. 4 is a side view from the other side thereof;

FIG. 5 is an end view from one end thereof;

FIG. 6 is an end view from another end thereof;

FIG. 7 is a perspective top view from one end thereof;

FIG. 8 is a perspective bottom view from another end thereof.

FIG. 9 is a bottom plan view of the bottom portion of the support carrier for a vibration screen removed for ease of illustration;

FIG. 10 is a side view from one side thereof;

FIG. 11 is a top plan view thereof;

FIG. 12 is a side view from the other side thereof;

FIG. 13 is an end view from one end thereof;

FIG. 14 is an end view from another end thereof;

FIG. 15 is a perspective top view from one end thereof;

FIG. 16 is a perspective bottom view thereof.

FIG. 17 is a bottom plan view of the top portion of the support carrier for a vibration screen removed for ease of illustration;

FIG. 18 is a side view from one side thereof;

FIG. 19 is a top plan view thereof;

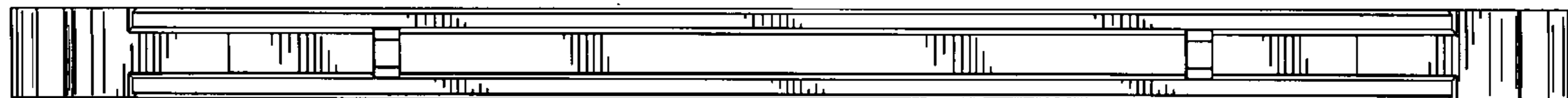
FIG. 20 is a side view thereof;

FIG. 21 is an end view thereof;

FIG. 22 is a perspective top view thereof; and,

FIG. 23 is a perspective bottom view from another end thereof.

1 Claim, 9 Drawing Sheets



US D617,359 S

Page 2

U.S. PATENT DOCUMENTS

5,713,108	A *	2/1998	Solomon et al.	24/30.5 R					
6,253,926	B1 *	7/2001	Woodgate	209/399					
6,715,613	B2 *	4/2004	Eeles et al.	209/405					
D489,464	S *	5/2004	Barnett	D25/119					
7,040,488	B2 *	5/2006	Seyffert et al.	209/405					
7,150,358	B2 *	12/2006	Carr et al.	209/403					
					D562,992	S *	2/2008	Szczekocki et al. D25/121	
					D574,233	S *	8/2008	Young, Sr. D9/434	
					D604,070	S *	11/2009	McElmurry	D6/500
					D606,860	S *	12/2009	Hill	D9/434
					2004/0074819	A1 *	4/2004	Burnett	209/405
					2006/0180509	A1 *	8/2006	Burnett et al.	209/405
					2009/0050539	A1 *	2/2009	Gronvall et al.	209/391

* cited by examiner

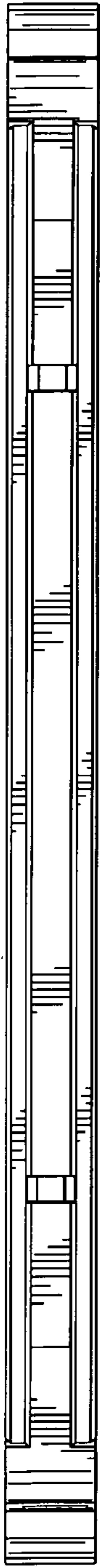


FIG. 1

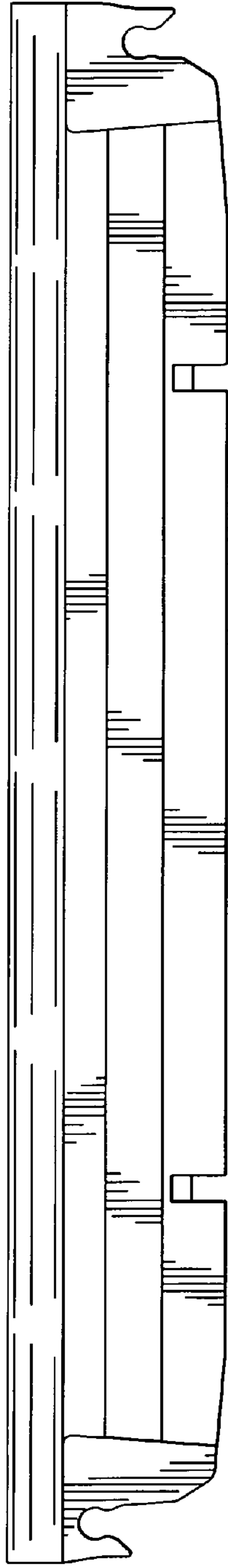


FIG. 2

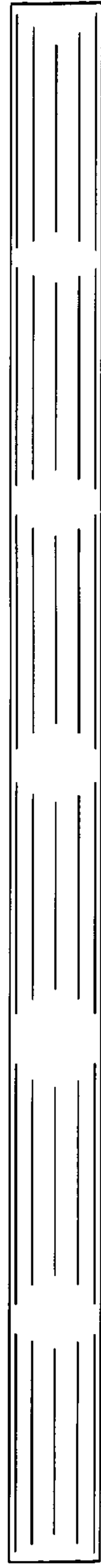


FIG. 3

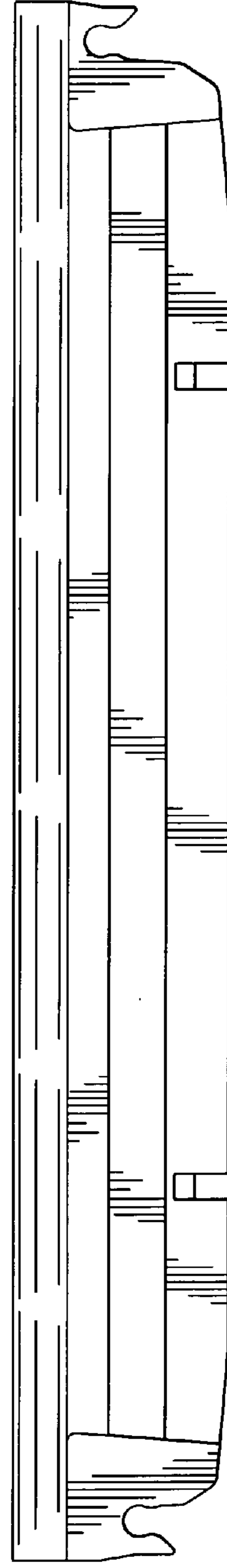


FIG. 4



FIG. 6

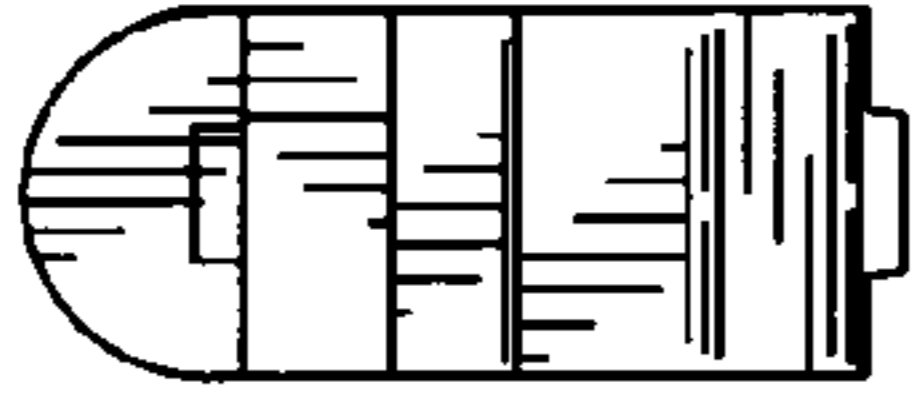


FIG. 5

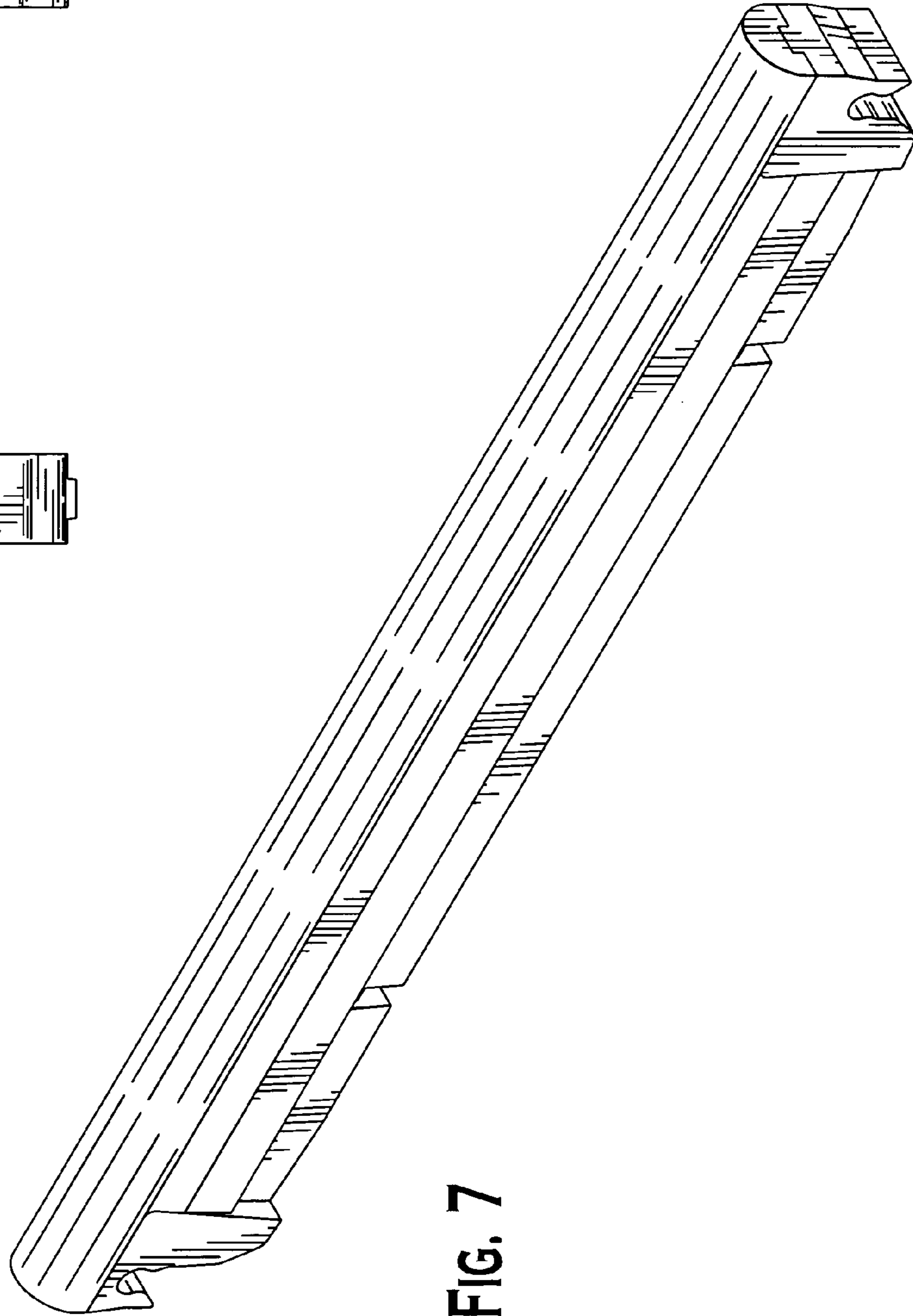


FIG. 7

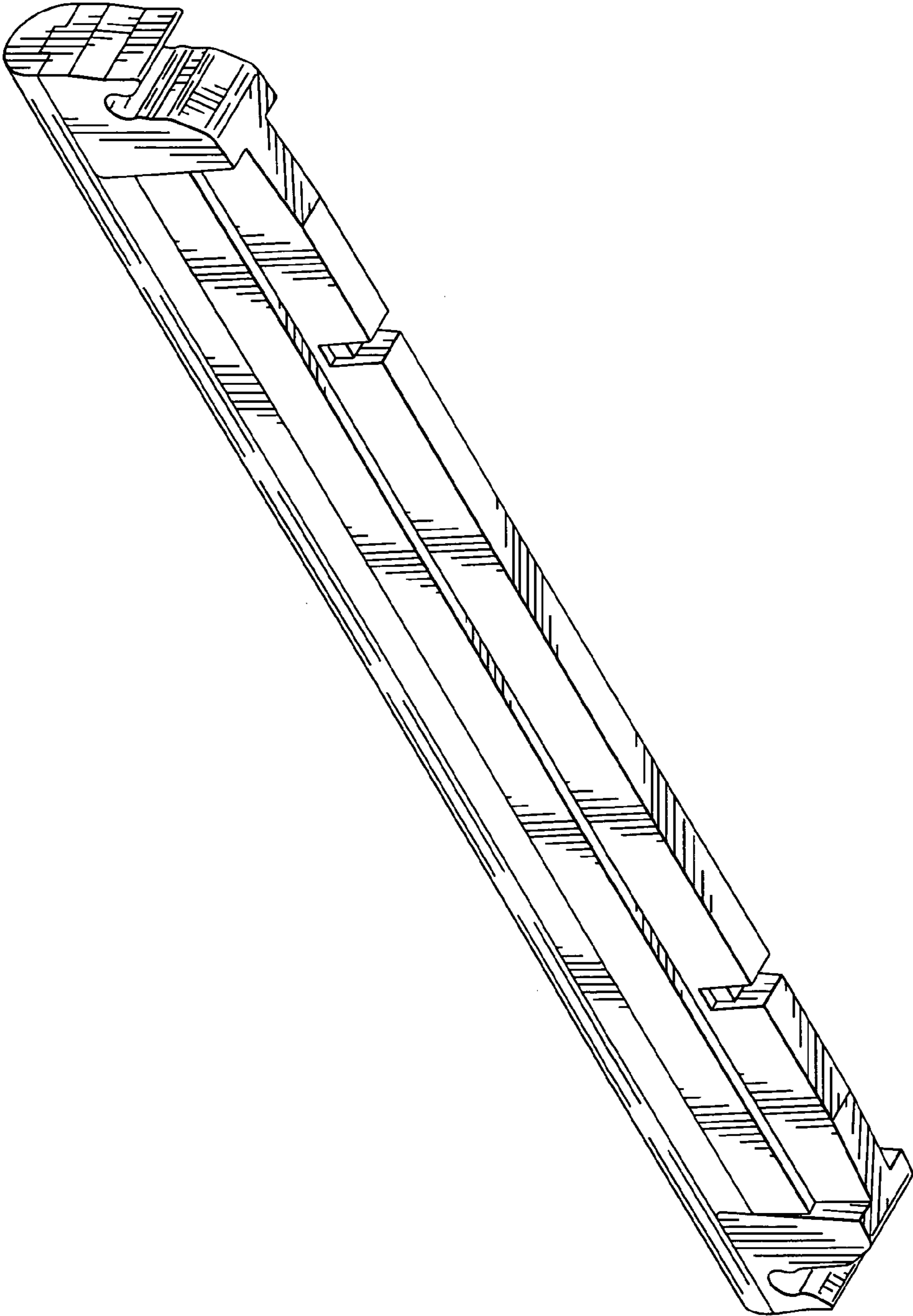


FIG. 8

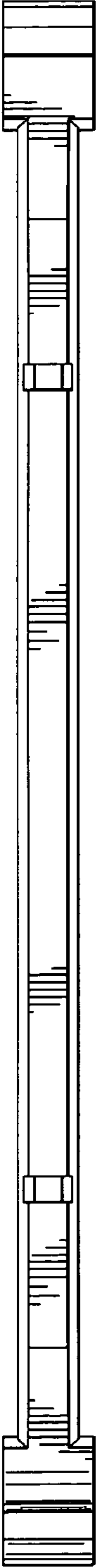


FIG. 9

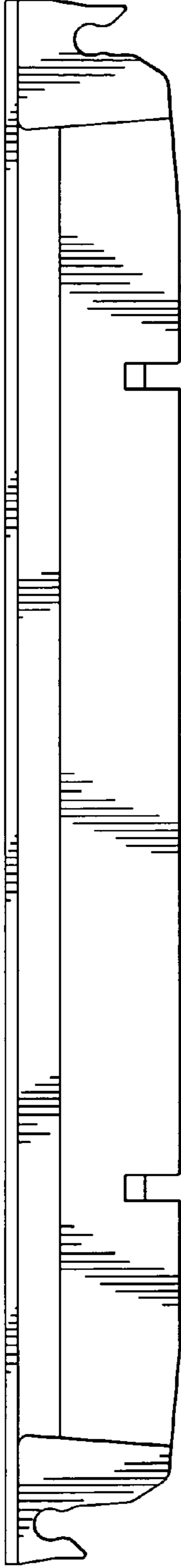


FIG. 10

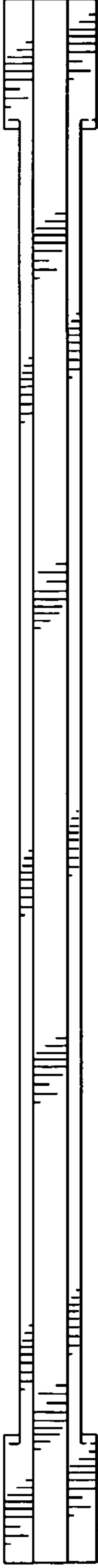


FIG. 11

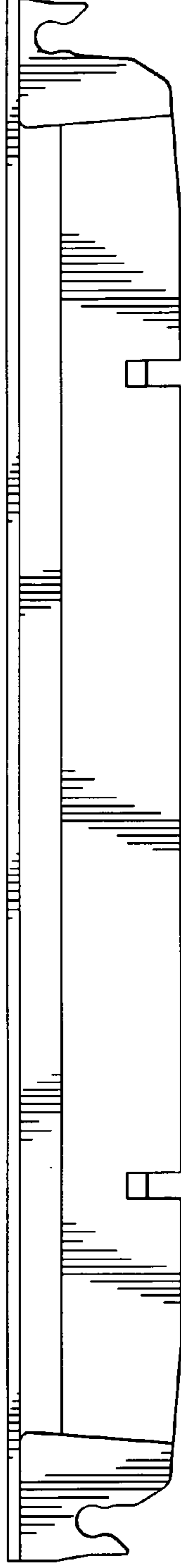


FIG. 12

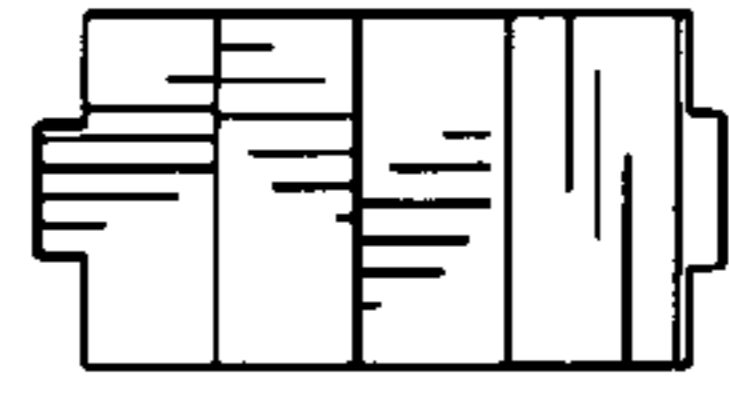


FIG. 14

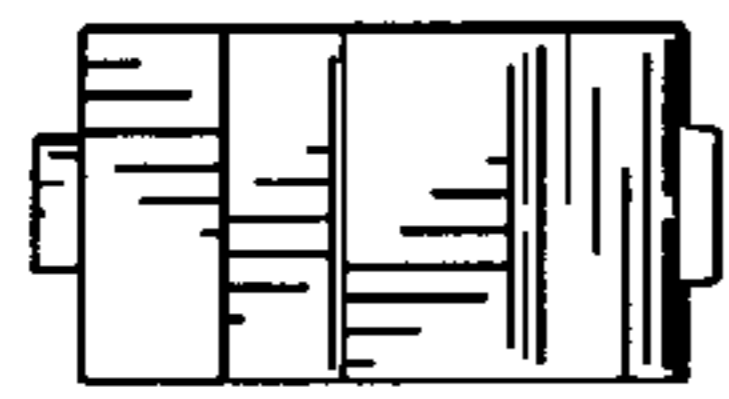


FIG. 13

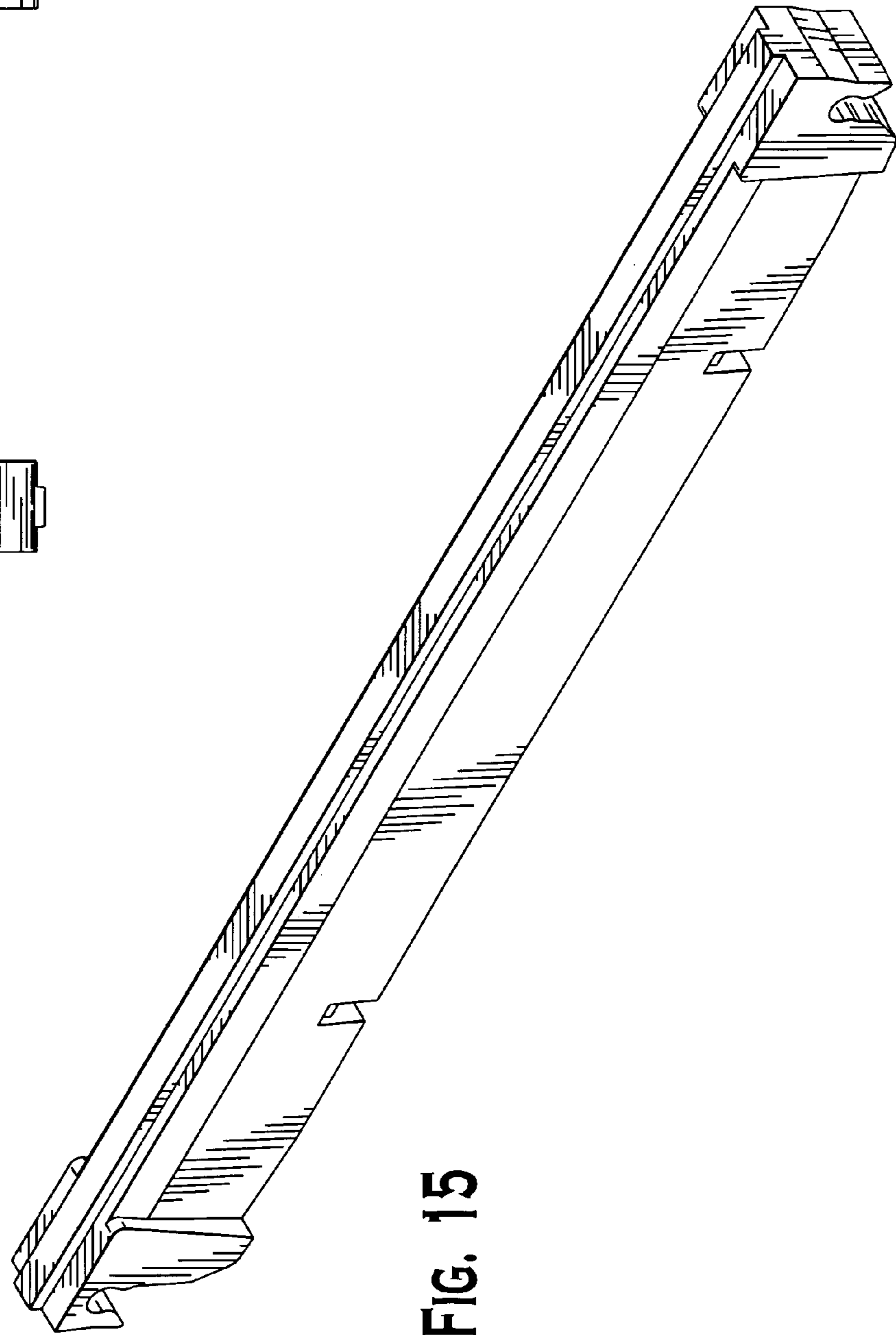


FIG. 15

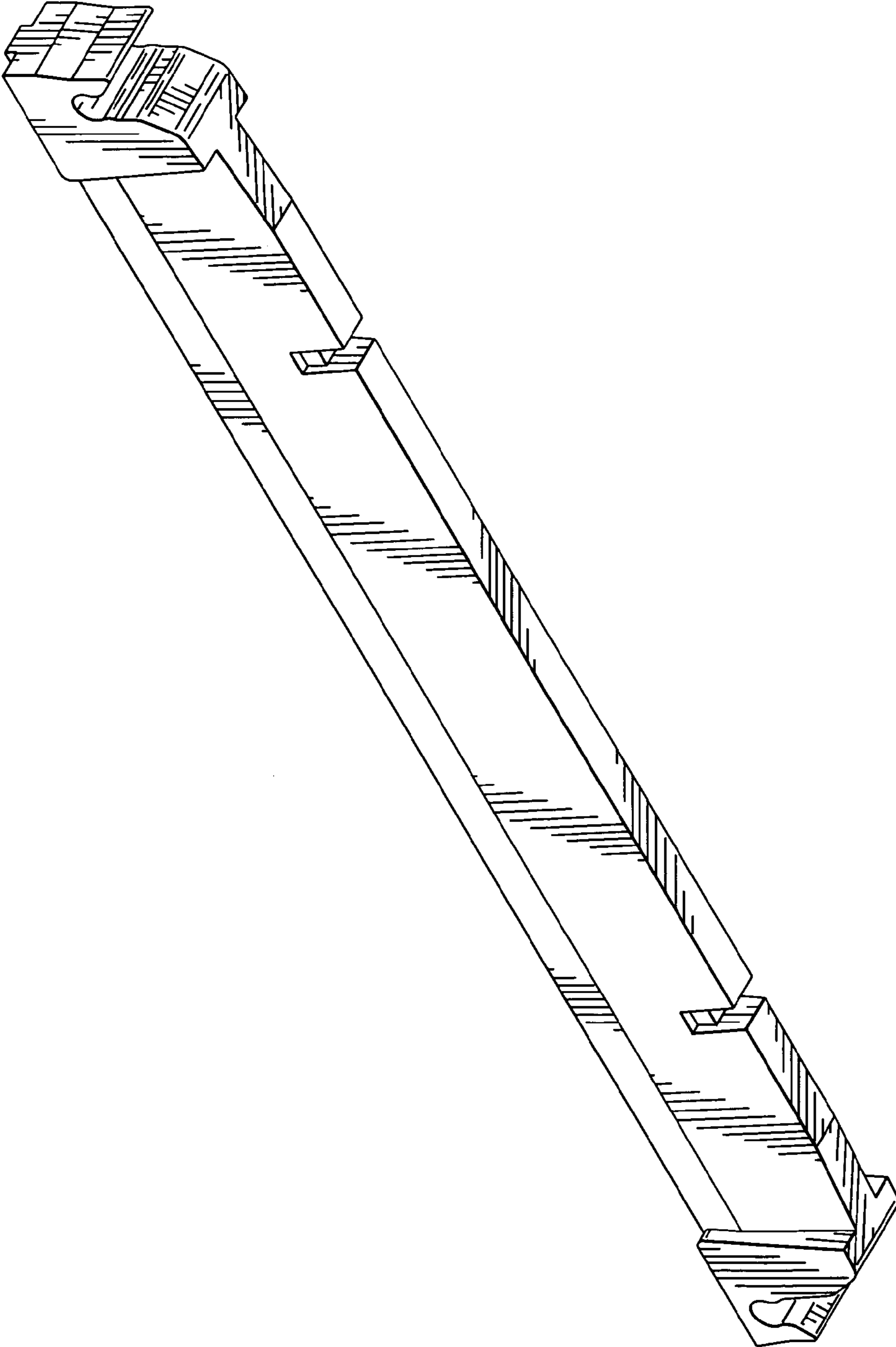


FIG. 16



FIG. 17

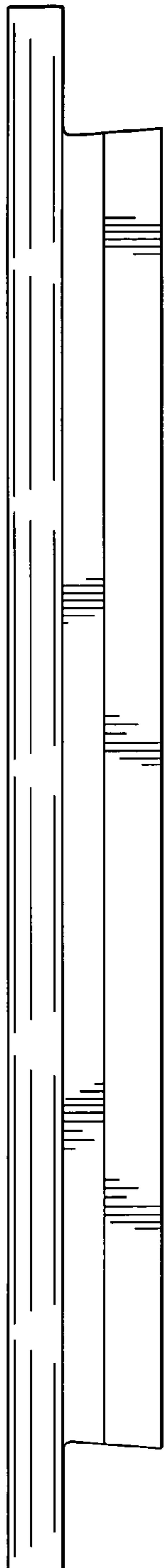


FIG. 18



FIG. 19

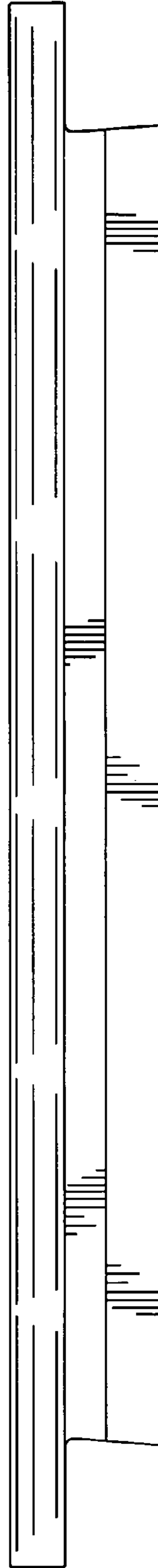


FIG. 20

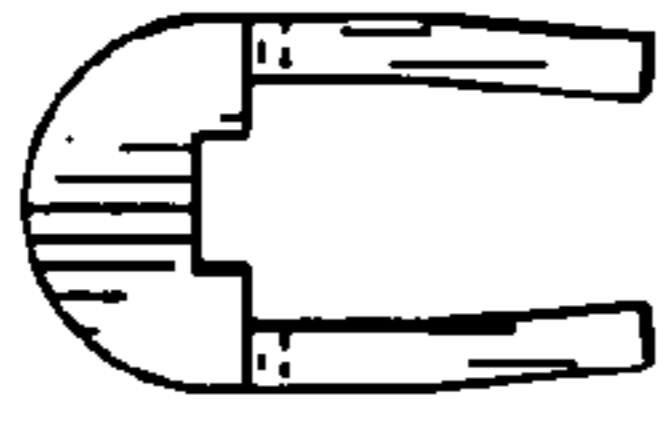


FIG. 21

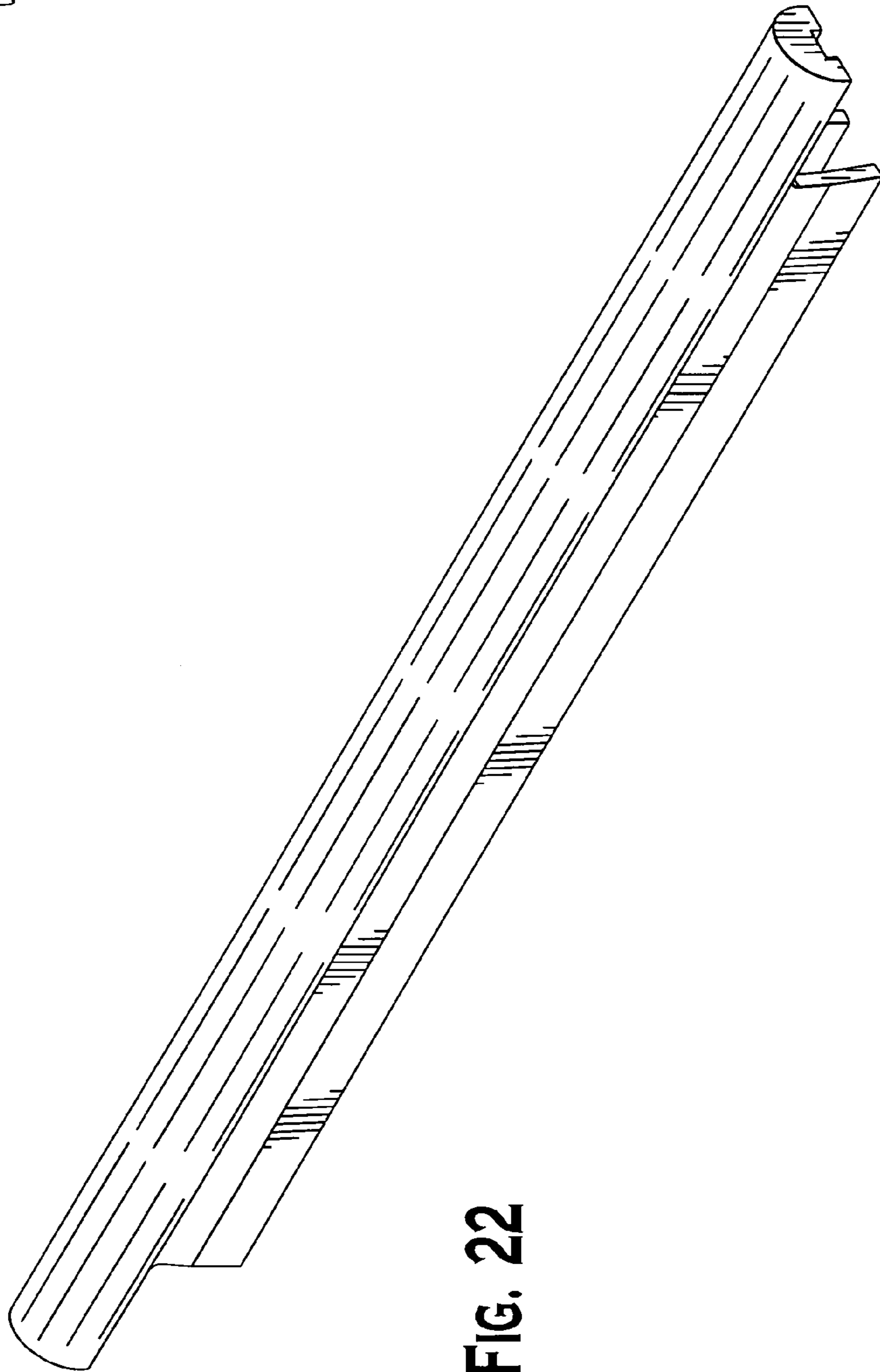


FIG. 22

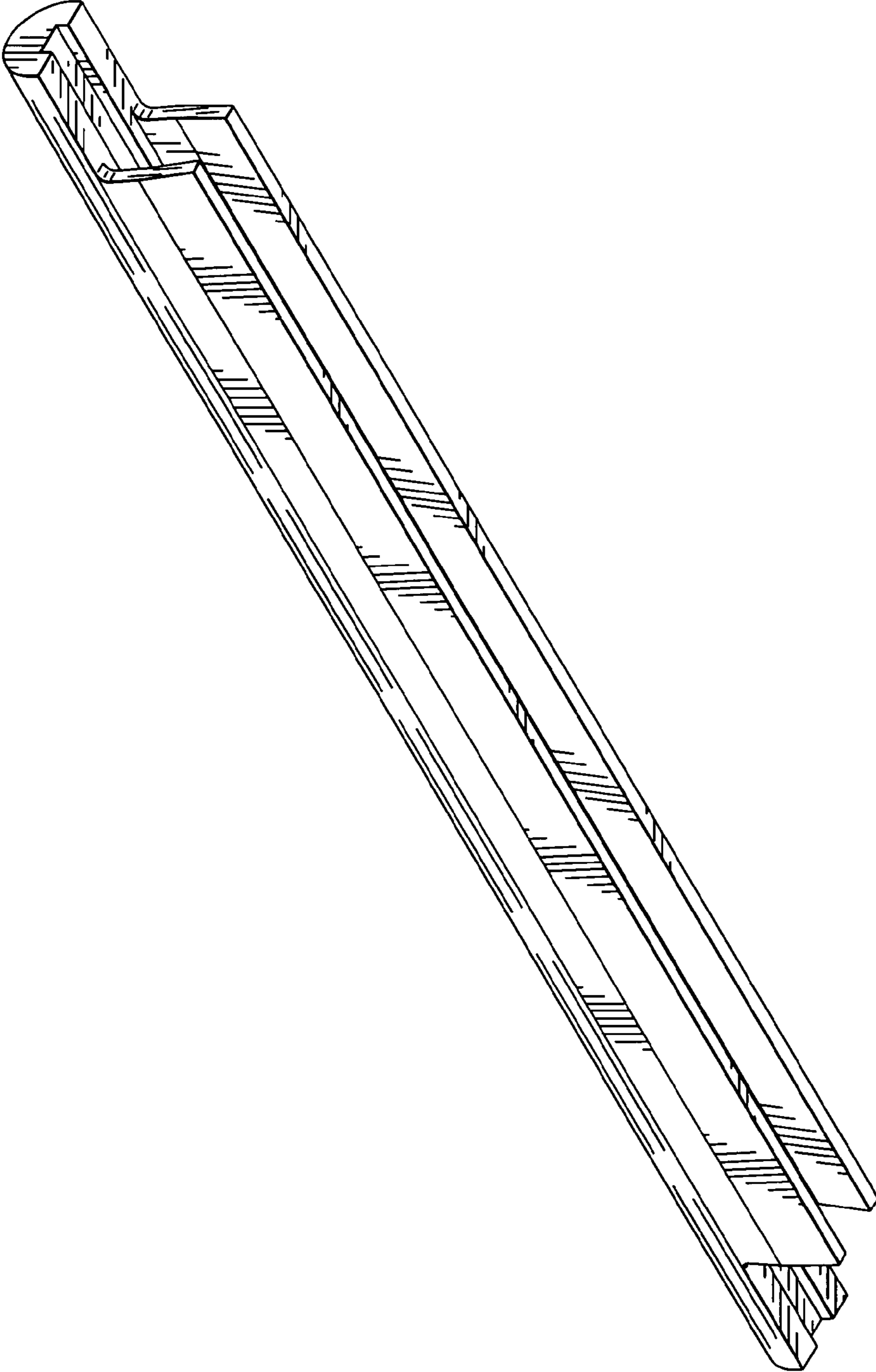


FIG. 23