



US00D617356S

(12) **United States Design Patent**
Wang

(10) **Patent No.:** **US D617,356 S**
(45) **Date of Patent:** **** Jun. 8, 2010**

(54) **DECORATION-MOLDING INJECTION MACHINE**

(75) Inventor: **Kuei-Wu Wang**, Taipei (TW)

(73) Assignee: **Alpha Plus Machinery Corp.**,
Sanchung, Taipei Hsien (TW)

(**) Term: **14 Years**

(21) Appl. No.: **29/347,054**

(22) Filed: **Sep. 9, 2009**

(51) **LOC (9) Cl.** **15-09**

(52) **U.S. Cl.** **D15/135**

(58) **Field of Classification Search** D15/135,
D15/136, 137; 425/135, 146, 171, 181, 218,
425/436 RM, 542, 543, 547, 556
See application file for complete search history.

(56) **References Cited**

U.S. PATENT DOCUMENTS

D119,612 S *	3/1940	Ernst	D15/135
D139,721 S *	12/1944	Kilburn et al.	D15/135
D153,578 S *	5/1949	Bohannon	D15/135
D208,431 S *	8/1967	Paulson, Jr.	D15/135
D266,327 S *	9/1982	Haight et al.	D15/135
4,385,877 A *	5/1983	Tanabe	425/3
D296,701 S *	7/1988	Lindell	D15/135
D331,248 S *	11/1992	Yeh	D15/135

D336,479 S *	6/1993	Shinagawa et al.	D15/135
D357,484 S *	4/1995	Montague et al.	D15/135
6,042,757 A *	3/2000	Abe et al.	264/28
2007/0077329 A1 *	4/2007	Okumura	425/589
2008/0303183 A1 *	12/2008	Rote et al.	264/219

* cited by examiner

Primary Examiner—Sandra Snapp
Assistant Examiner—Patricia Palasik

(57) **CLAIM**

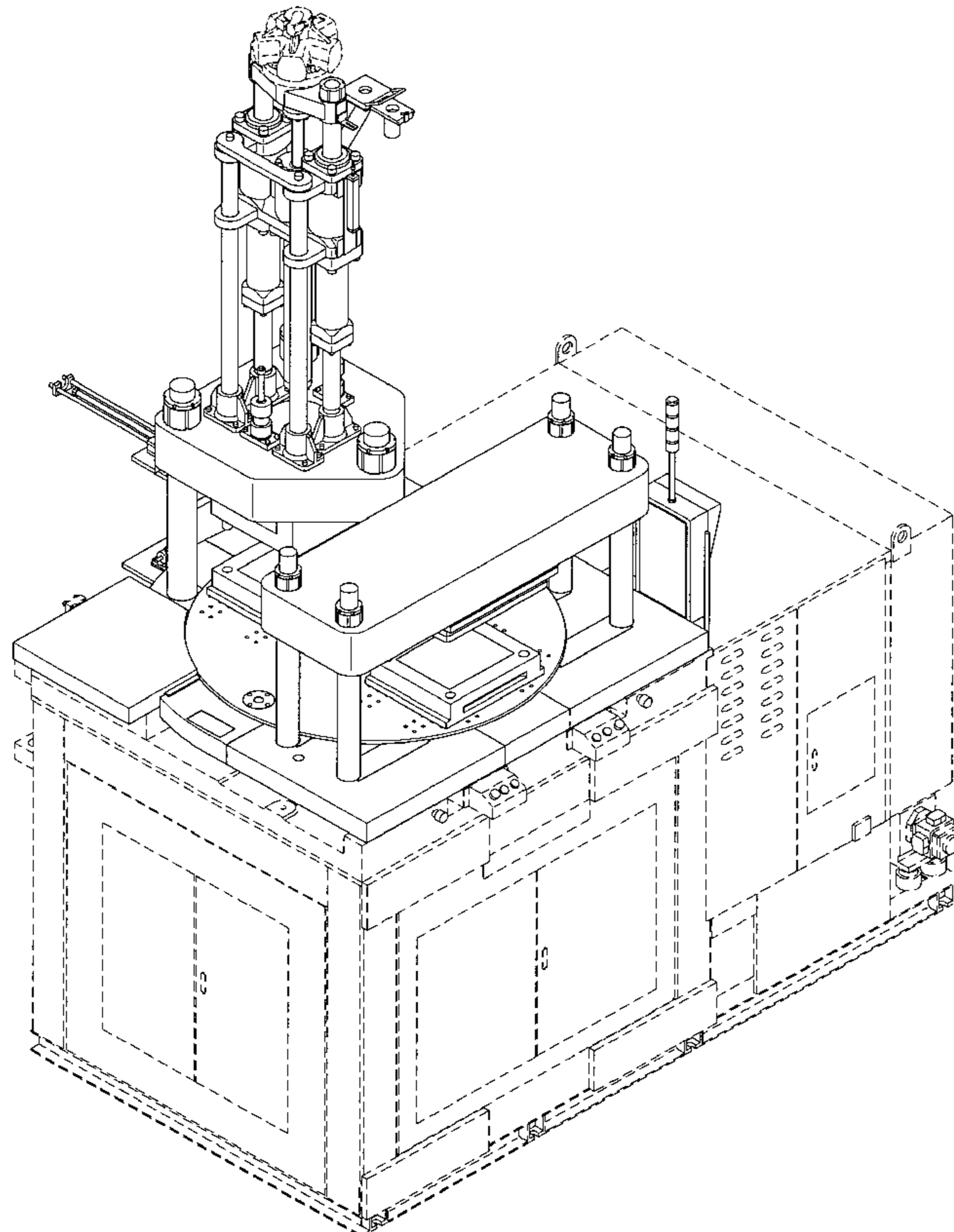
The ornamental design for a decoration-molding injection machine, as shown and described.

DESCRIPTION

FIG. 1 is a perspective view of the decoration-molding injection machine of this invention;
FIG. 2 is a front view thereof;
FIG. 3 is a rear view thereof;
FIG. 4 is a left view thereof;
FIG. 5 is a right view thereof;
FIG. 6 is a top view thereof; and,
FIG. 7 is a bottom view thereof.

The broken lines in the drawings depict unclaimed environmental subject matter.

1 Claim, 7 Drawing Sheets



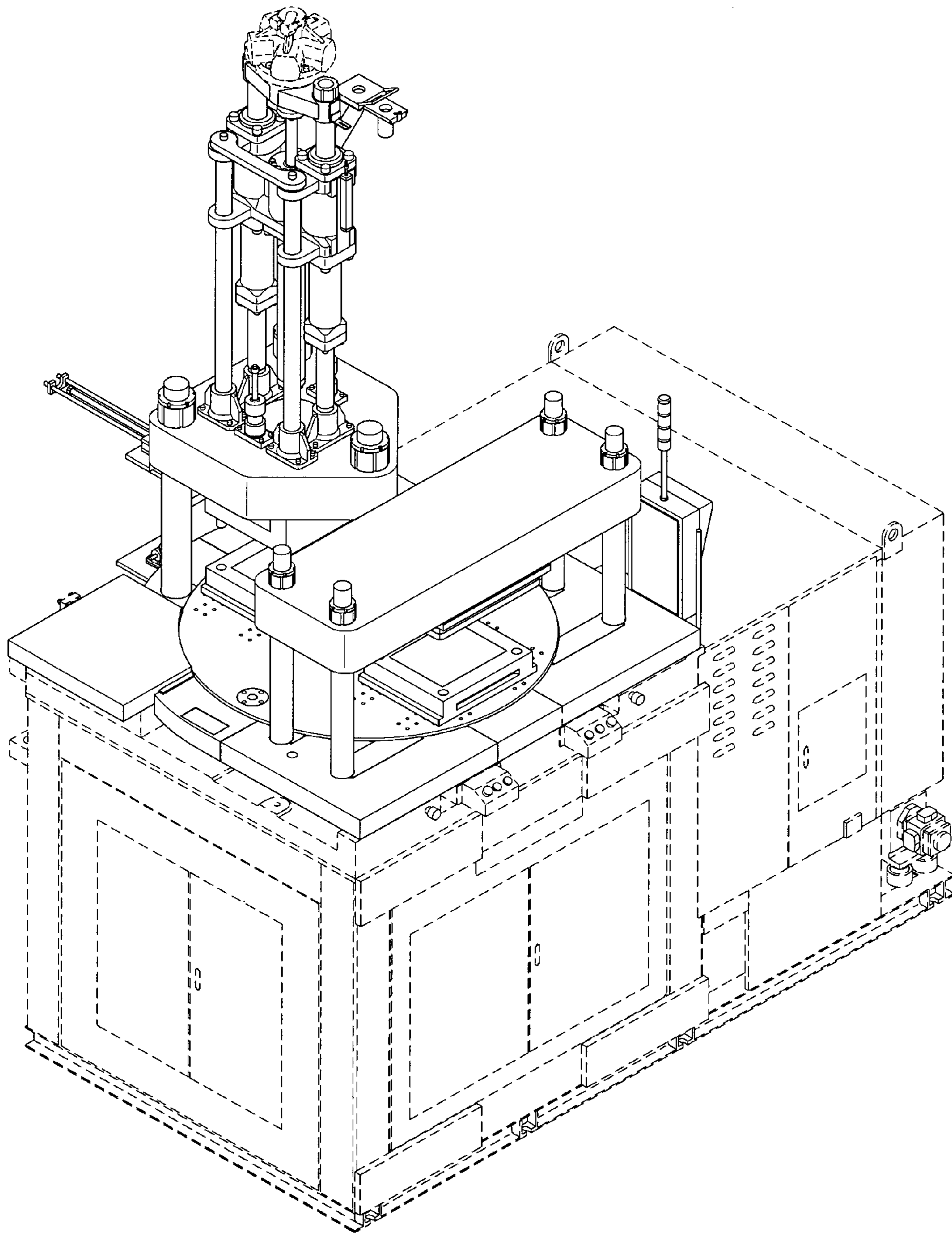


FIG.1

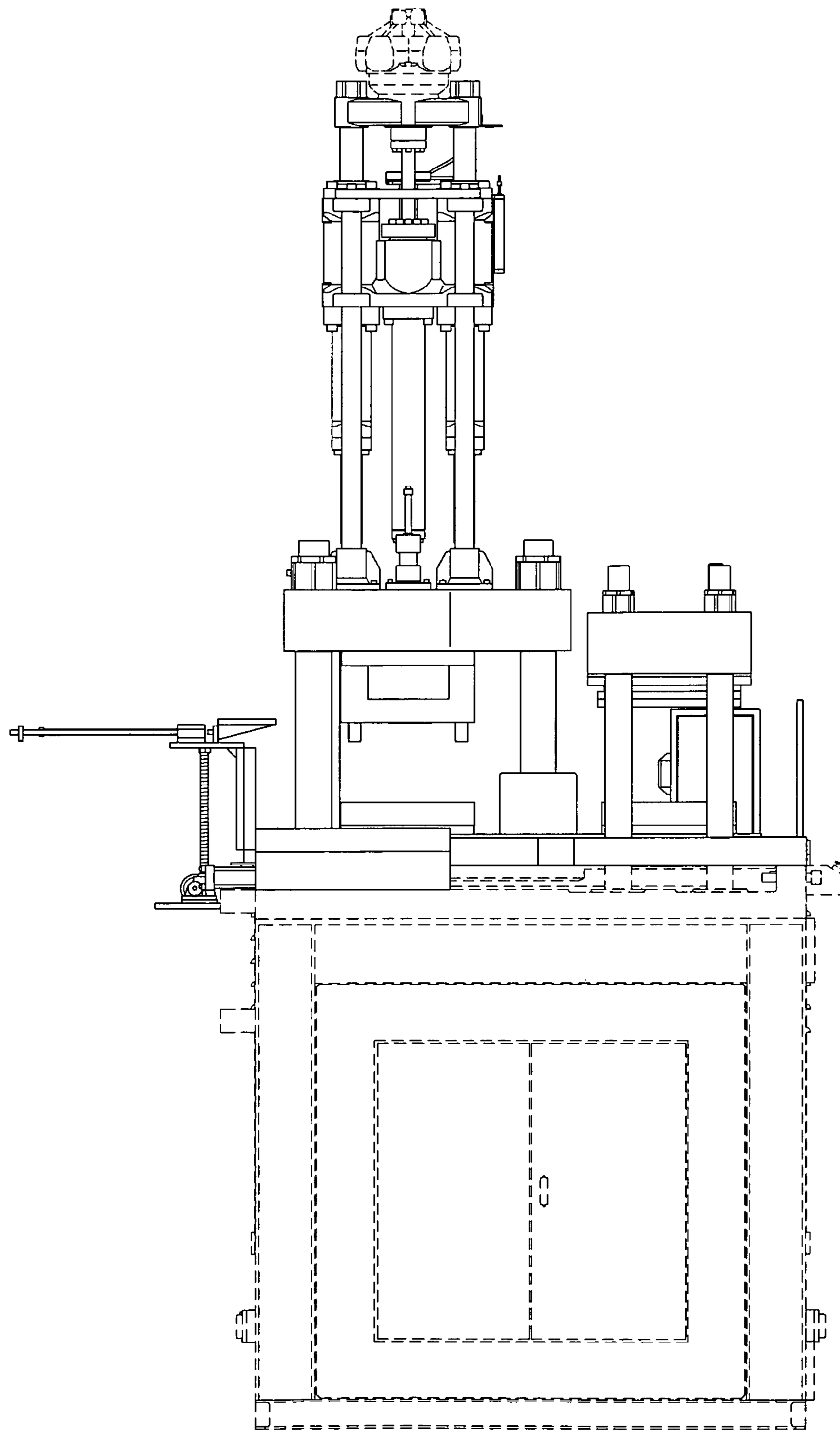


FIG. 2

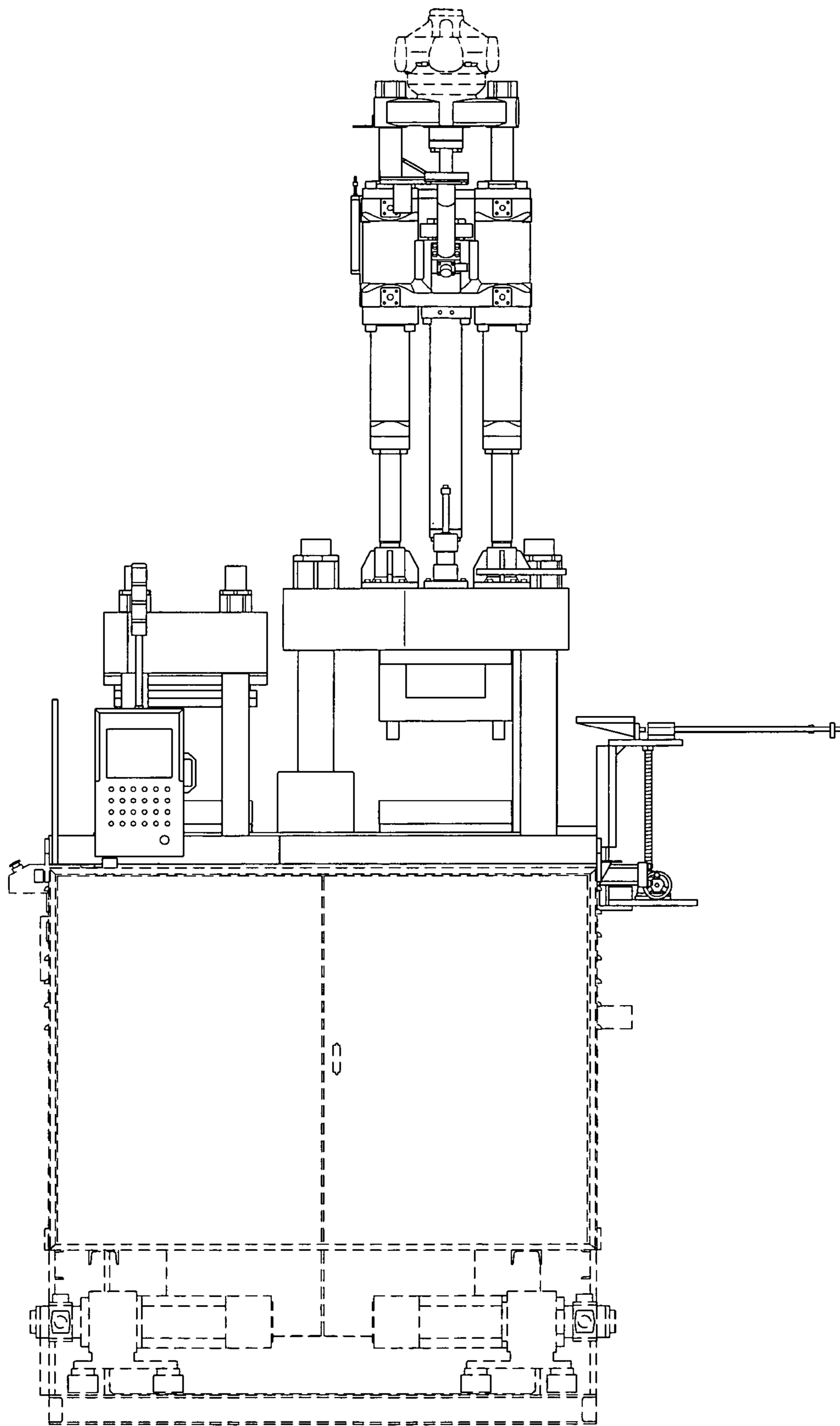


FIG.3

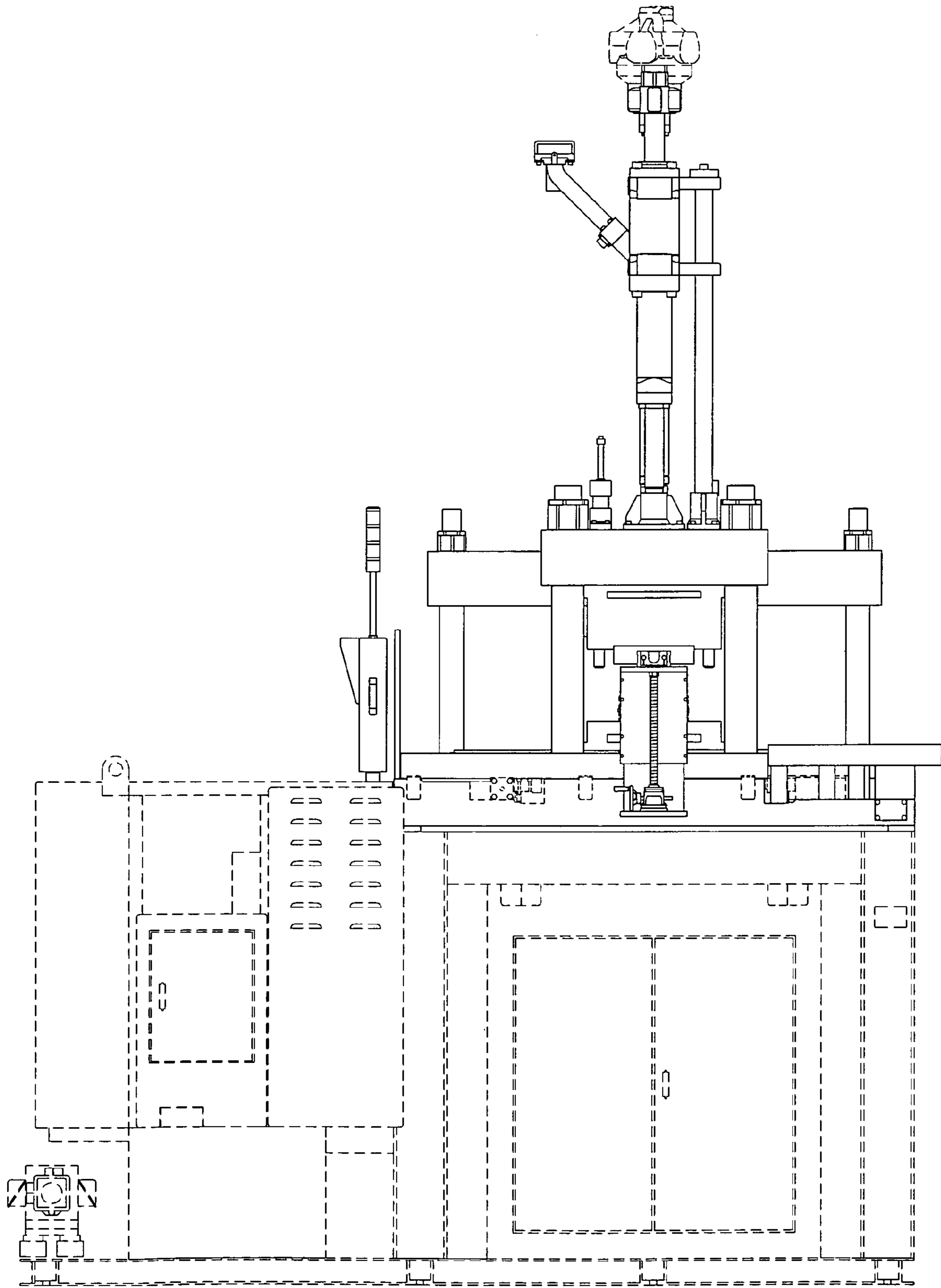


FIG. 4

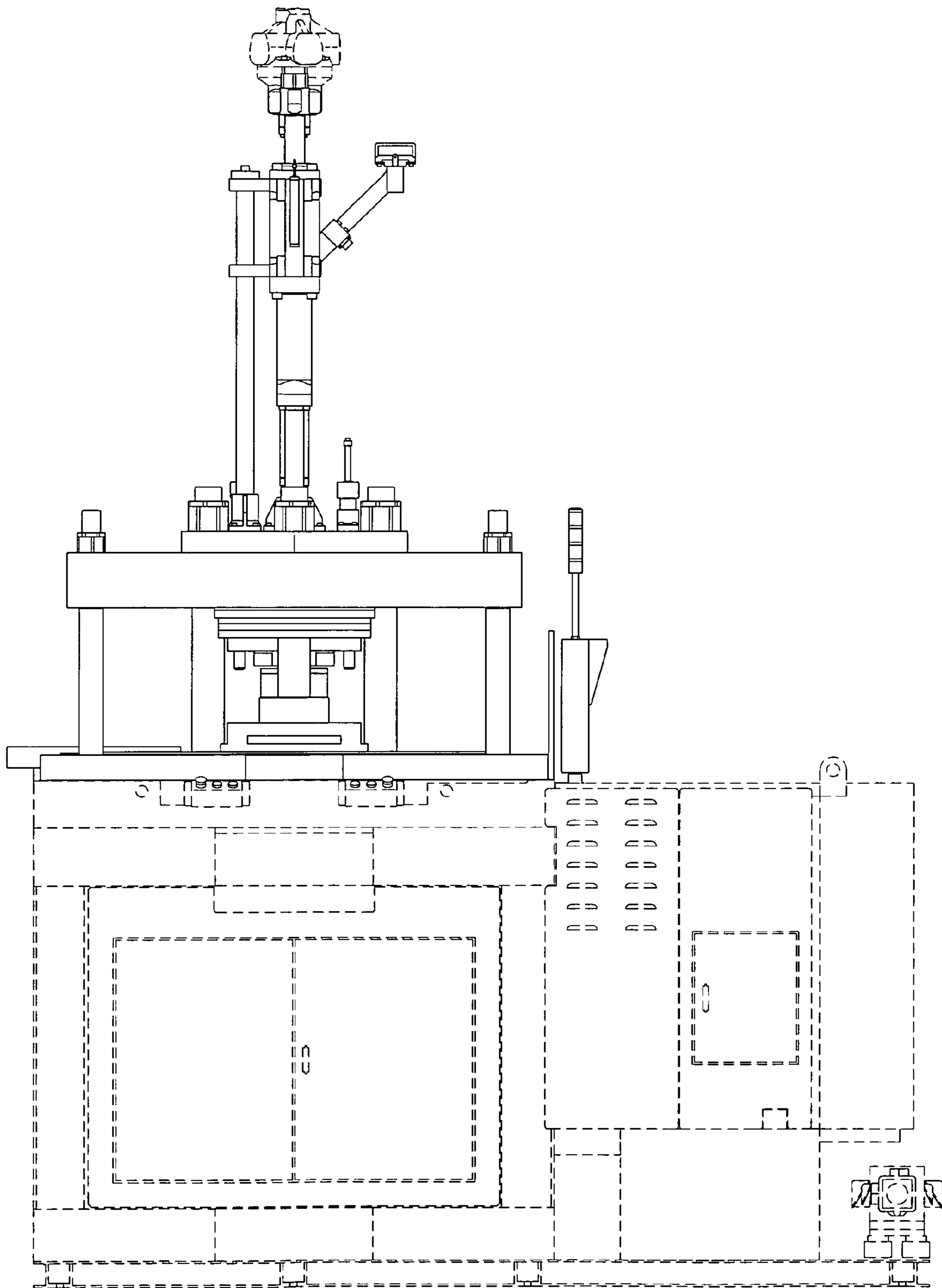


FIG.5

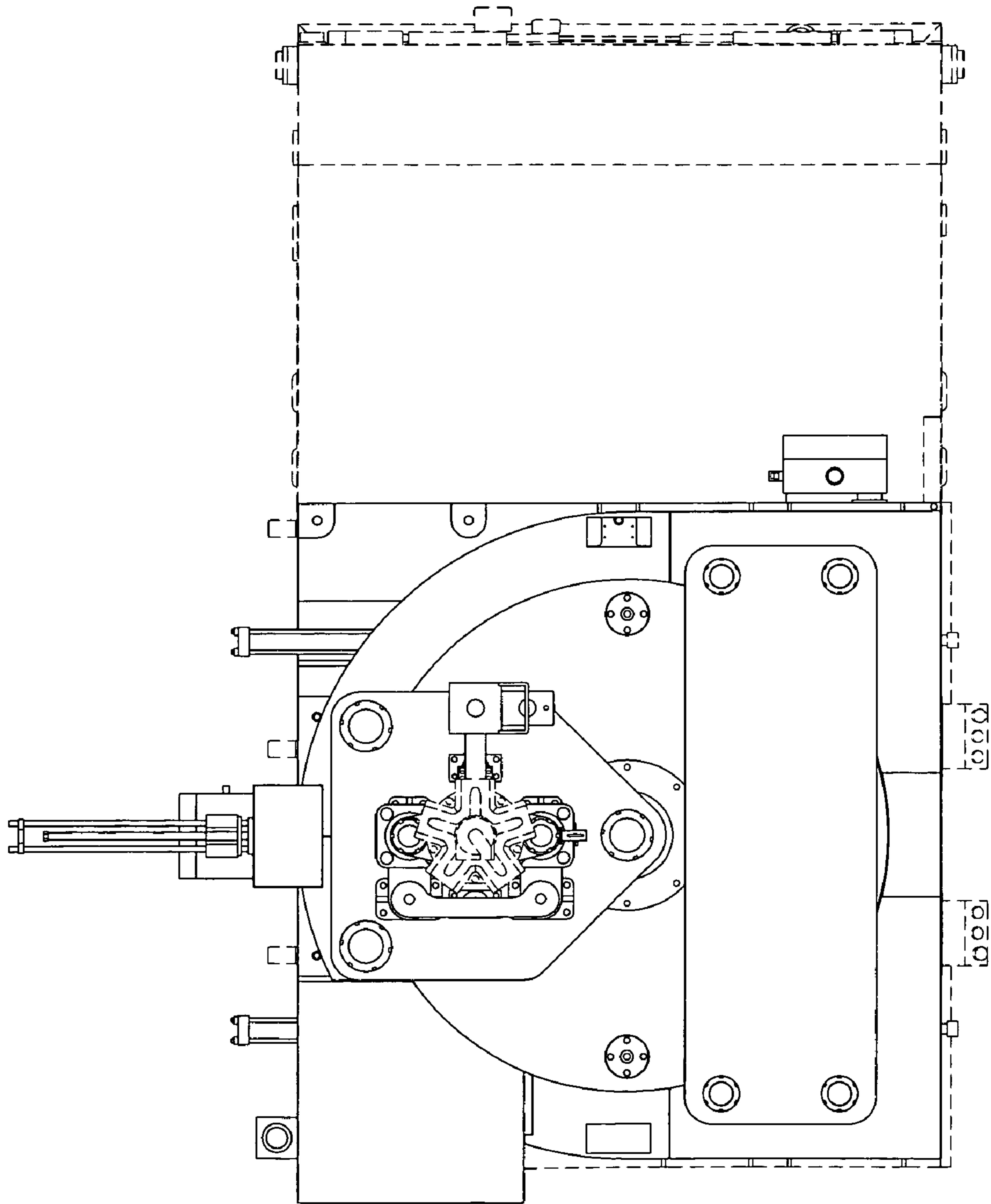


FIG.6

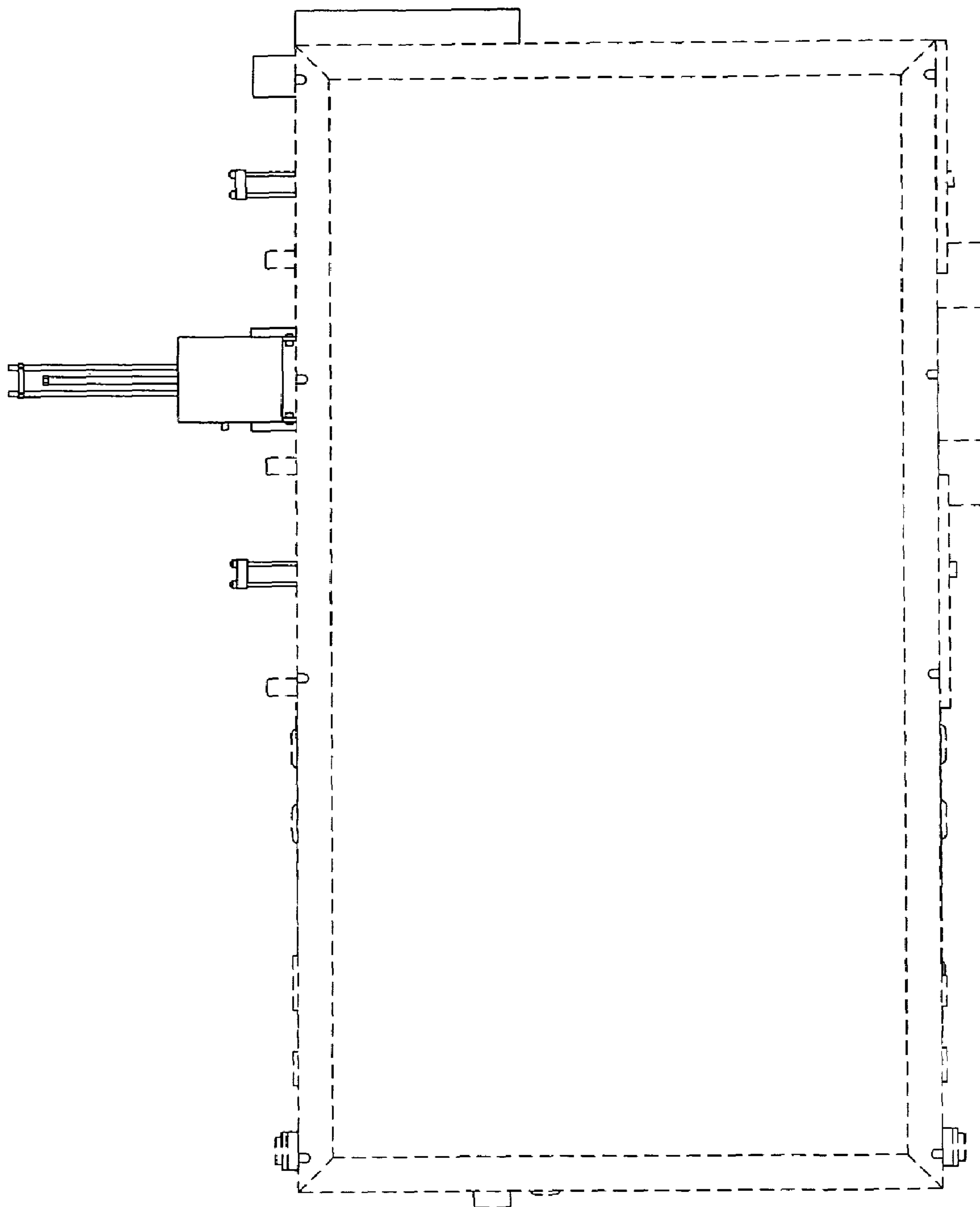


FIG. 7