



US00D617355S

(12) **United States Design Patent**
Baratta

(10) **Patent No.:** **US D617,355 S**
(45) **Date of Patent:** **** Jun. 8, 2010**

(54) **DRILL STAND**

(57) **CLAIM**

(75) Inventor: **Anthony Baratta**, Oak Park, CA (US)

I claim the ornamental design for a drill stand, as shown and described.

(73) Assignee: **Husqvarna Construction Products North America Inc.**, Olathe, KS (US)

(**) Term: **14 Years**

DESCRIPTION

(21) Appl. No.: **29/356,717**

(22) Filed: **Mar. 2, 2010**

Related U.S. Application Data

(62) Division of application No. 29/297,098, filed on Nov. 2, 2007, now Pat. No. Des. 613,779.

(51) **LOC (9) Cl.** **15-09**

(52) **U.S. Cl.** **D15/132**

(58) **Field of Classification Search** D8/61, D8/70, 71; D15/132, 140; 175/20, 202, 175/203, 220; 408/9, 12, 16, 17, 75, 76, 408/87, 90, 129, 132, 135, 204, 214 S, 234, 408/235, 236, 710, 712

See application file for complete search history.

(56) **References Cited**

U.S. PATENT DOCUMENTS

3,837,757 A * 9/1974 Levine 408/14

(Continued)

FOREIGN PATENT DOCUMENTS

DE 10230460 A1 1/2004

(Continued)

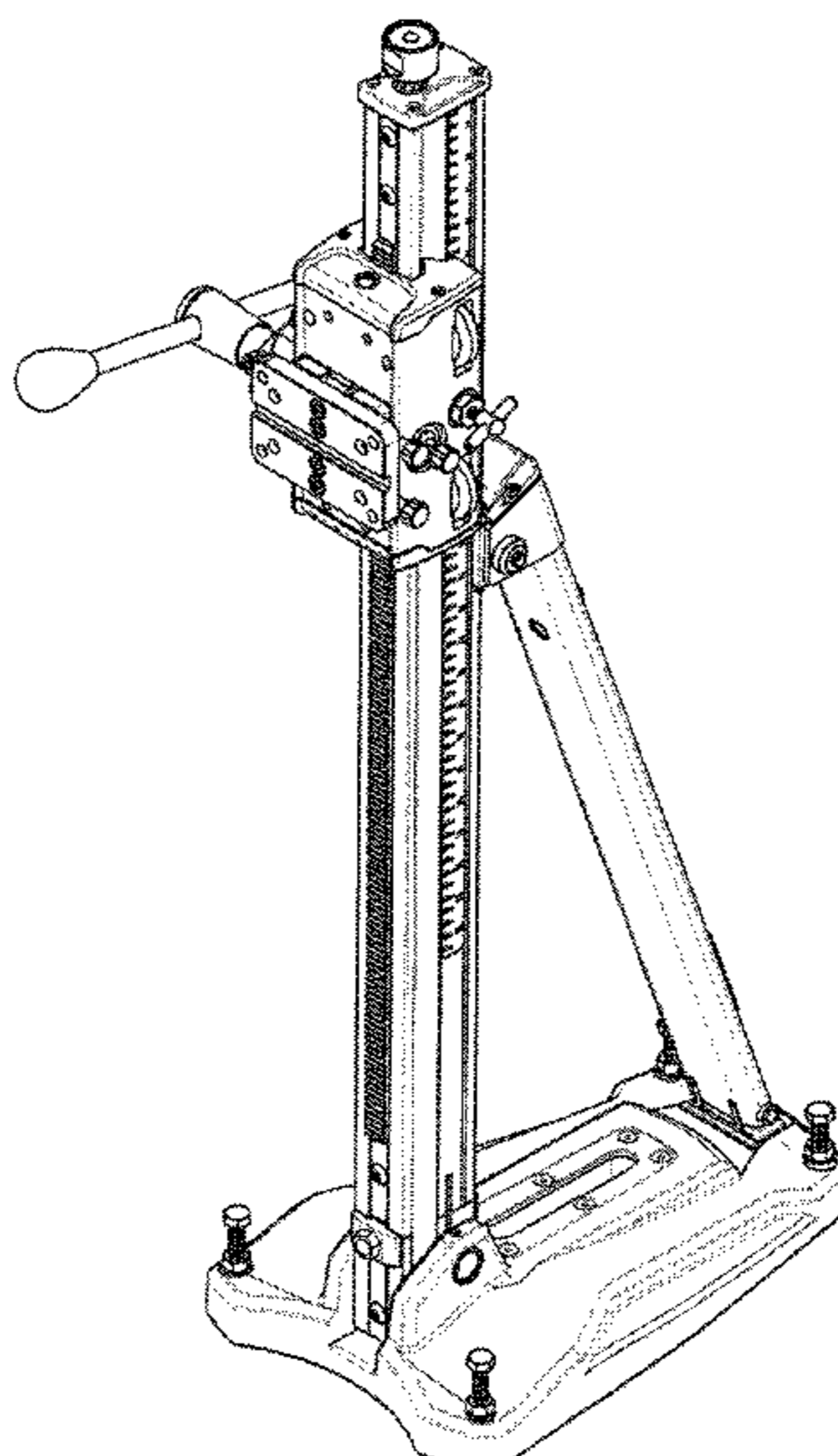
Primary Examiner—Sandra Snapp

Assistant Examiner—Patricia Palasik

(74) *Attorney, Agent, or Firm*—Novak Druce + Quigg LLP

FIG. 1 is a front isometric view of a drill stand;
FIG. 2 is a left elevational view of the drill stand;
FIG. 3 is a front elevational view of the drill stand;
FIG. 4 is a right elevational view of the drill stand;
FIG. 5 is a back elevational view of the drill stand;
FIG. 6 is a bottom plan view of the drill stand;
FIG. 7 is a top plan view of the drill stand;
FIG. 8 is a front isometric view of a second embodiment of the drill stand;
FIG. 9 is a left elevational view of the second embodiment of the drill stand;
FIG. 10 is a front elevational view of the second embodiment of the drill stand;
FIG. 11 is a right elevational view of the second embodiment of the drill stand;
FIG. 12 is a back elevational view of the second embodiment of the drill stand;
FIG. 13 is a bottom plan view of the second embodiment of the drill stand; and,
FIG. 14 is a top plan view of the second embodiment of the drill stand.
The broken lines shown in the drawings are for illustrative purposes only and form no part of the claimed design.

1 Claim, 8 Drawing Sheets



US D617,355 S

Page 2

U.S. PATENT DOCUMENTS

D392,534 S * 3/1998 Degen et al. D15/132
5,765,273 A * 6/1998 Mora et al. 29/560
5,954,460 A * 9/1999 Degen et al. 408/112
D414,669 S * 10/1999 Howard D15/140
6,692,201 B2 * 2/2004 Soderman 408/111
D497,622 S * 10/2004 Theising et al. D15/134

2004/0151552 A1* 8/2004 Baratta 408/135
2007/0217879 A1* 9/2007 Larsson 408/129

FOREIGN PATENT DOCUMENTS

GB 1235962 A 6/1971
WO 9606714 A1 3/1996

* cited by examiner

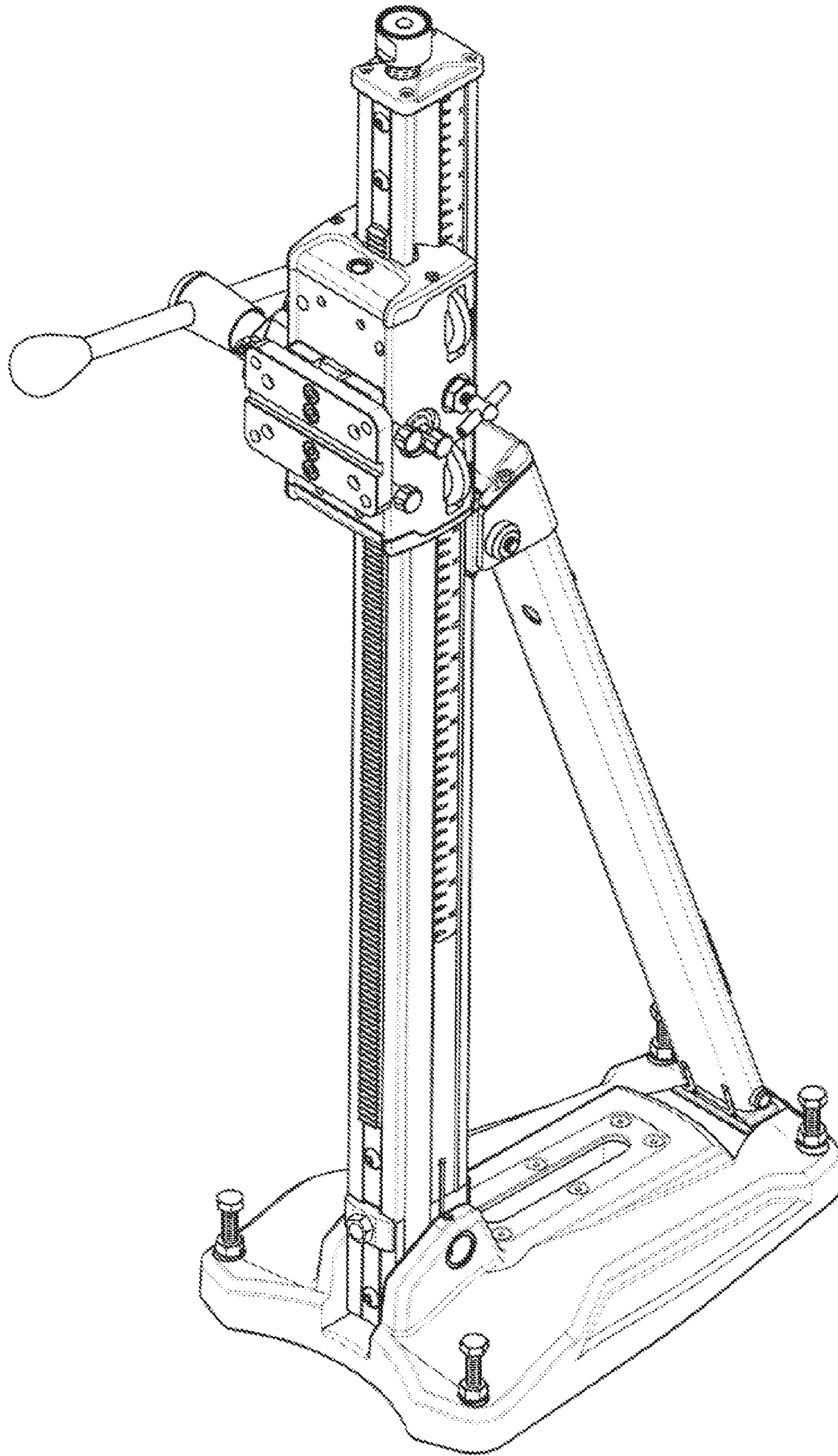


FIG. 1

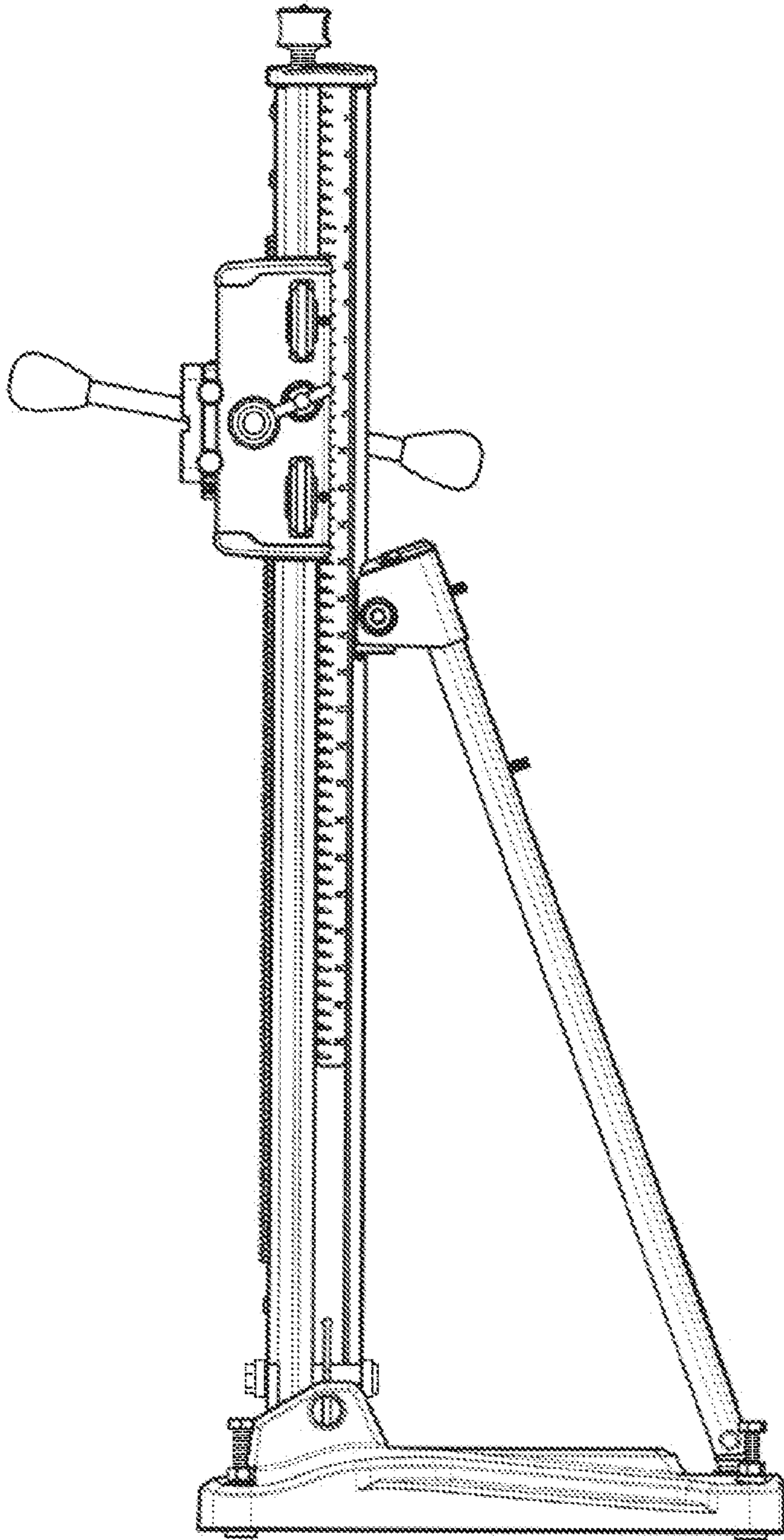


FIG. 2

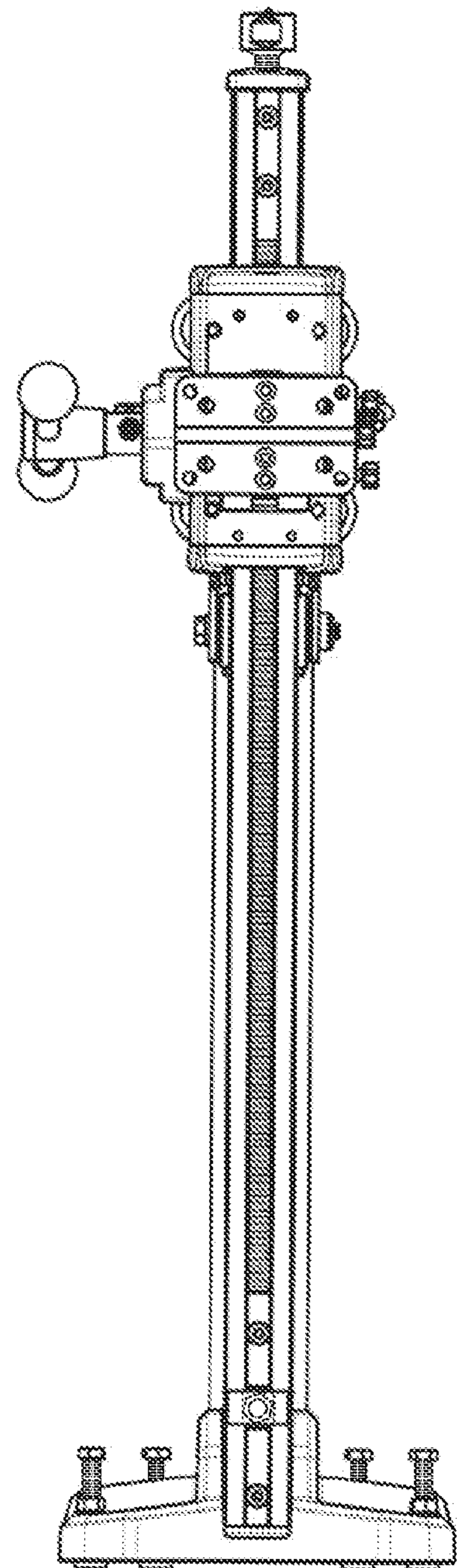


FIG. 3

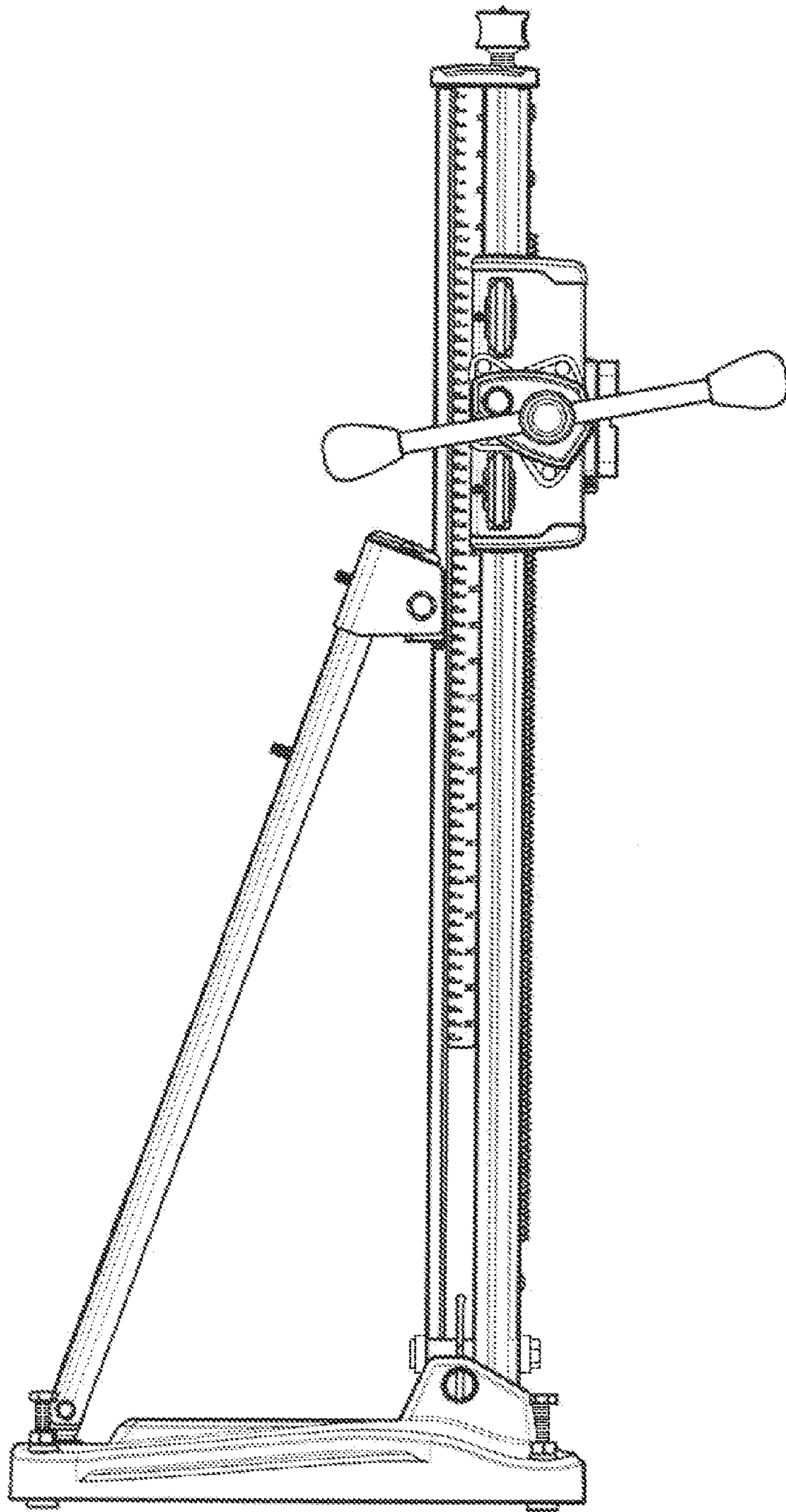


FIG. 4

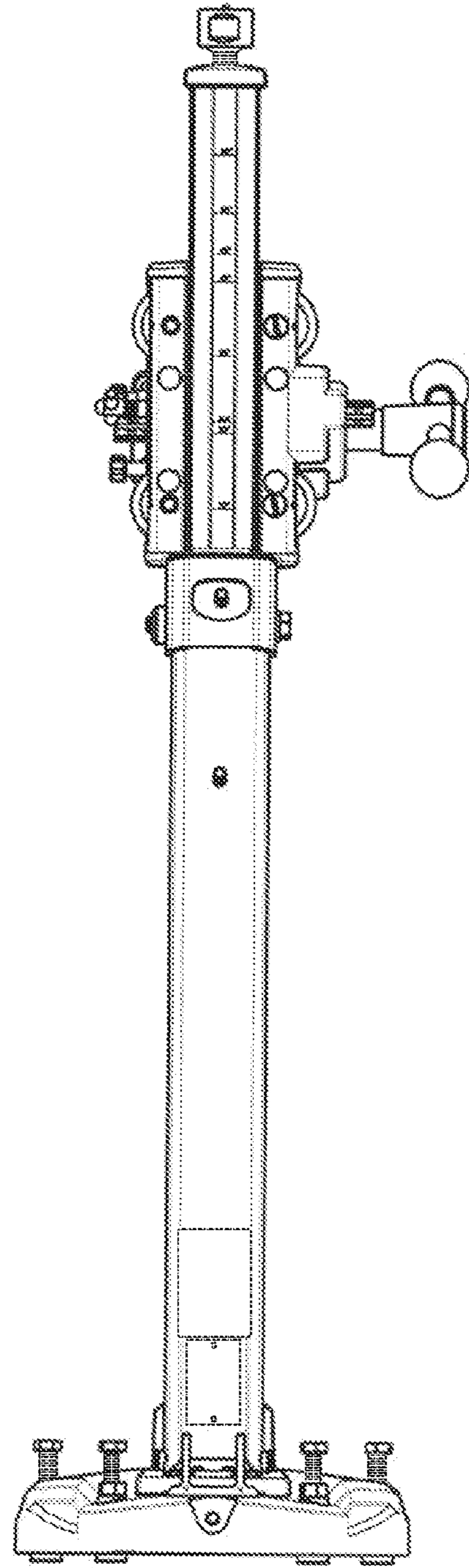


FIG. 5

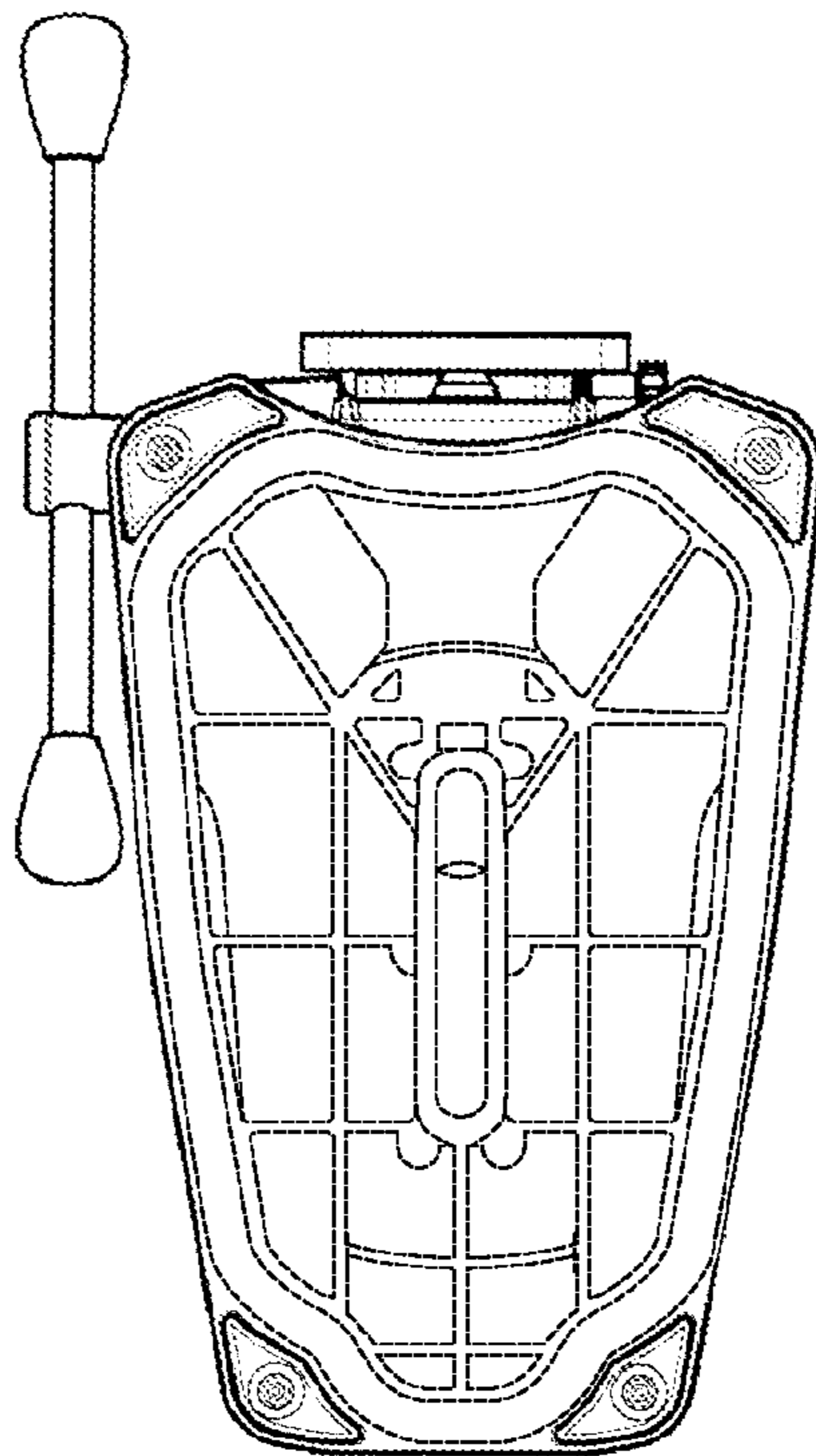


FIG. 6

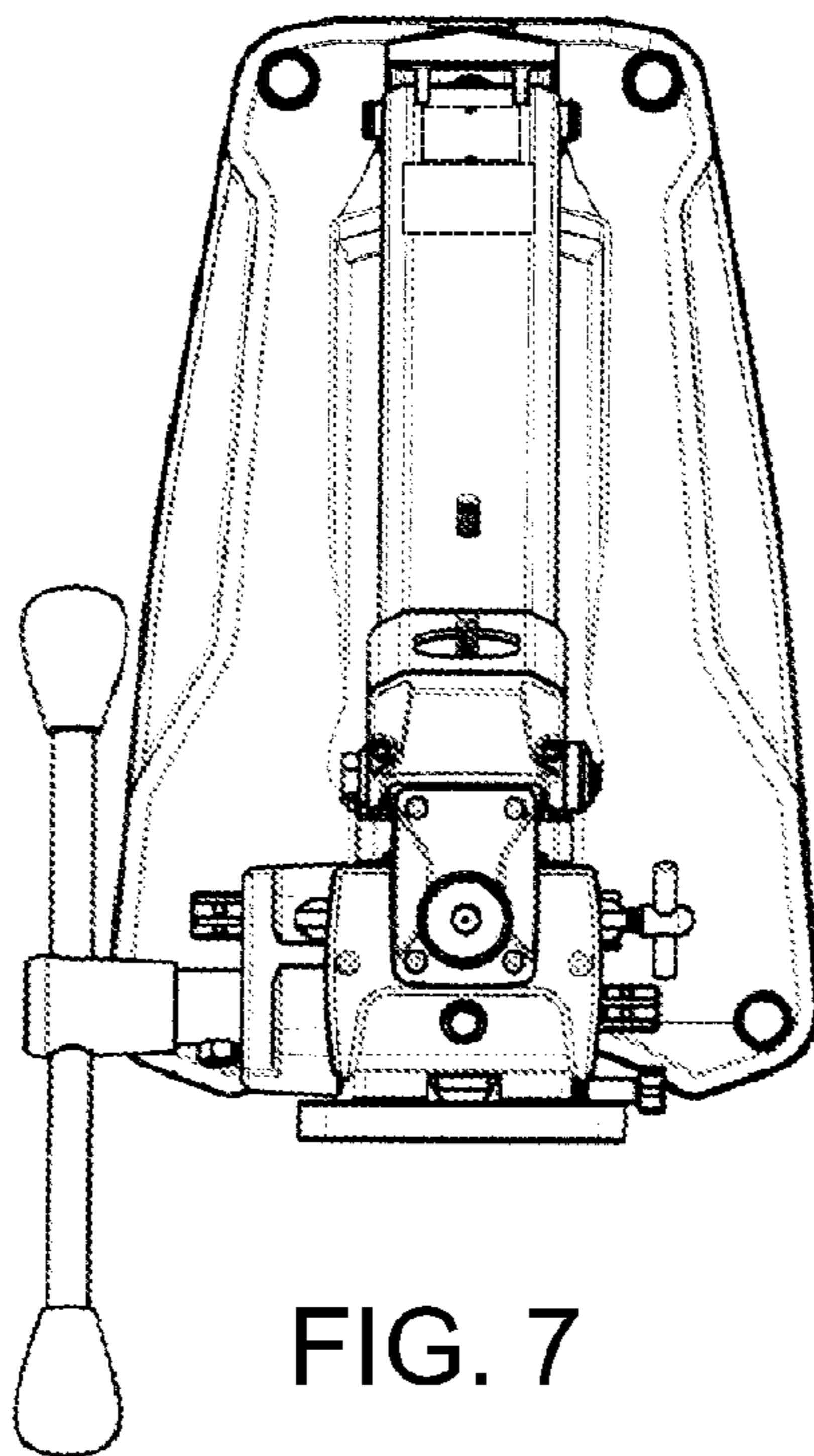


FIG. 7

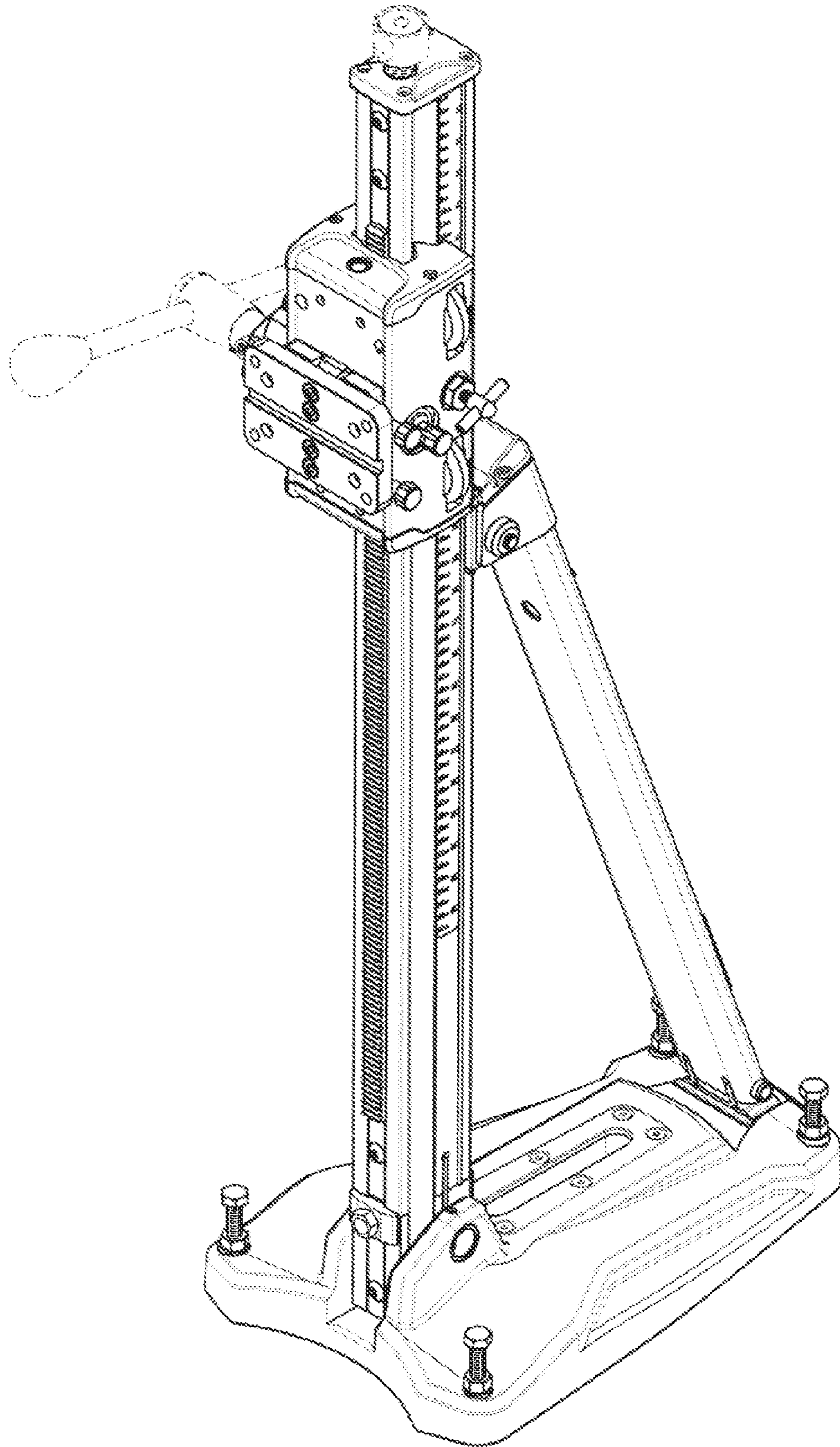


FIG. 8

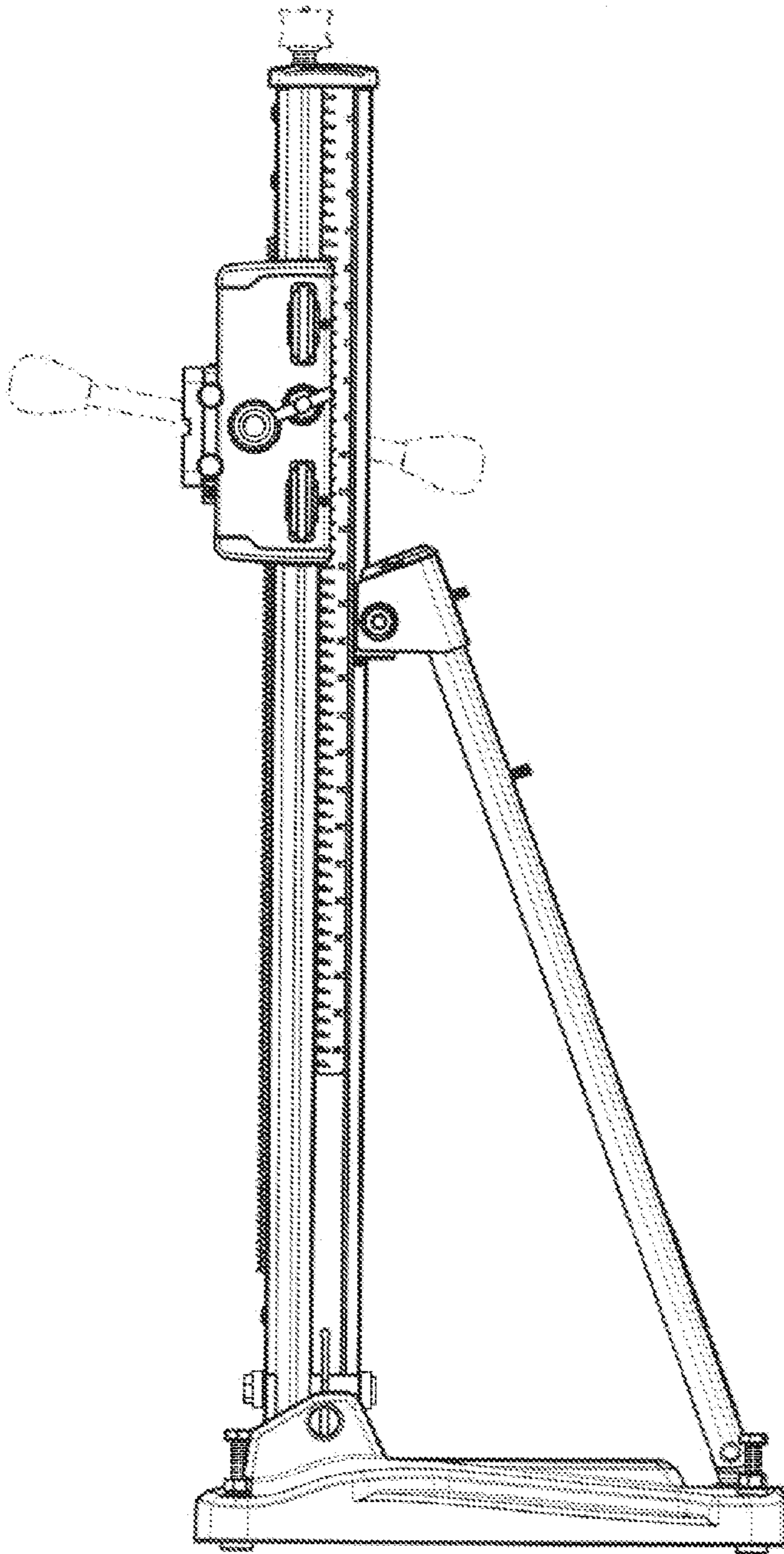


FIG. 9

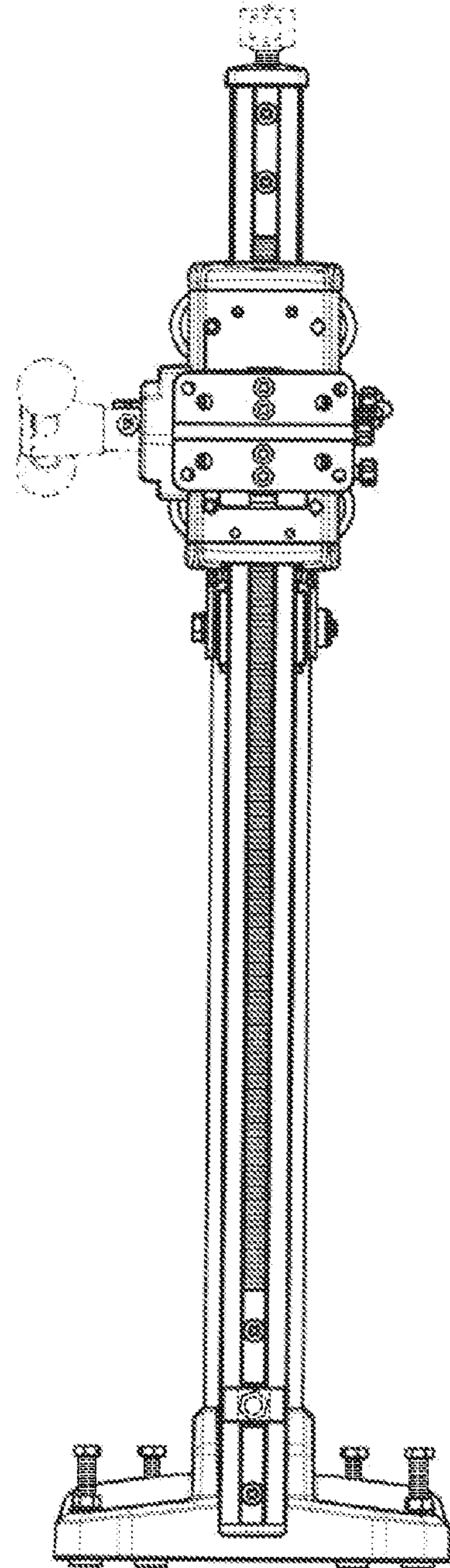


FIG. 10

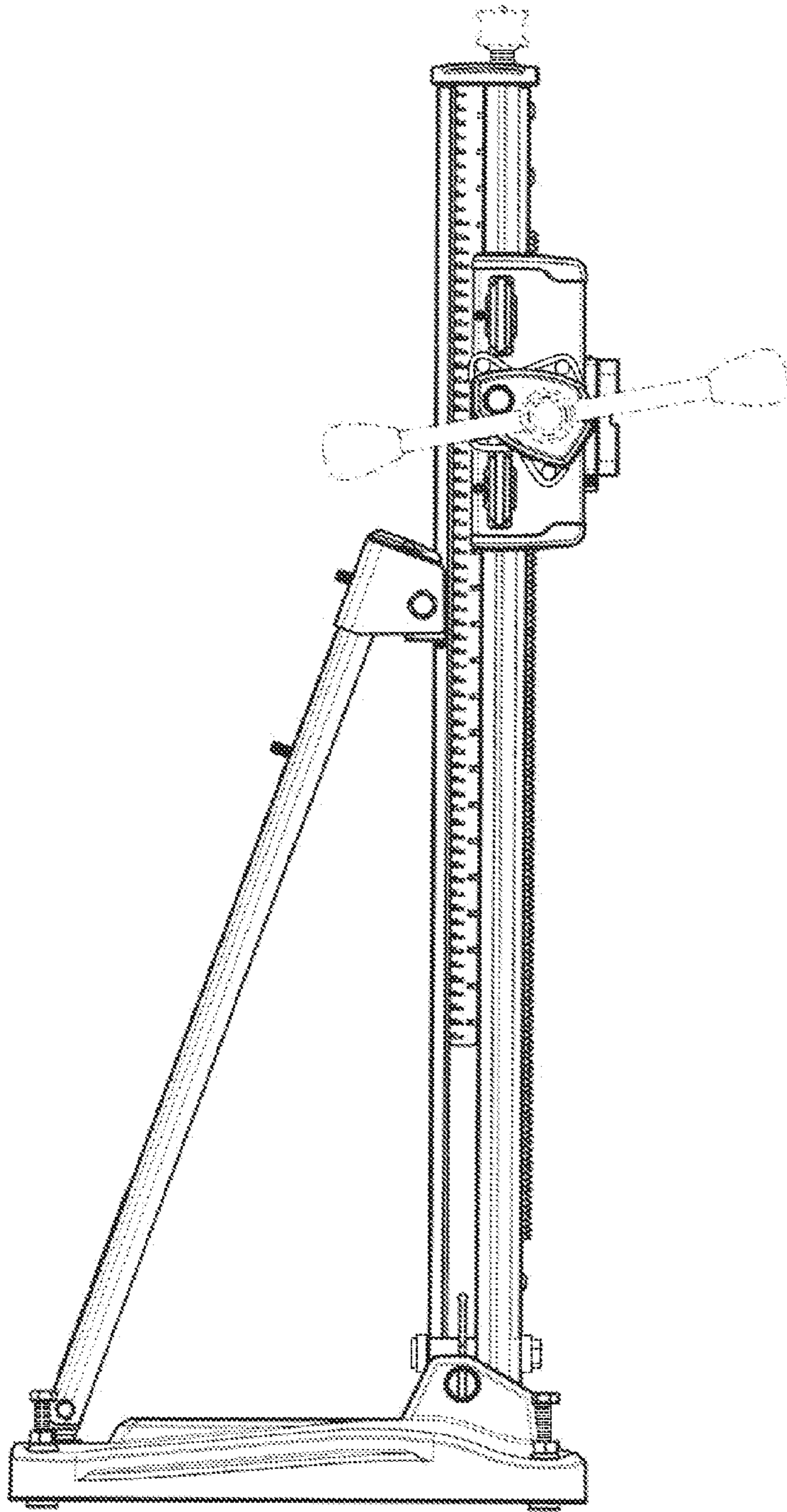


FIG. 11

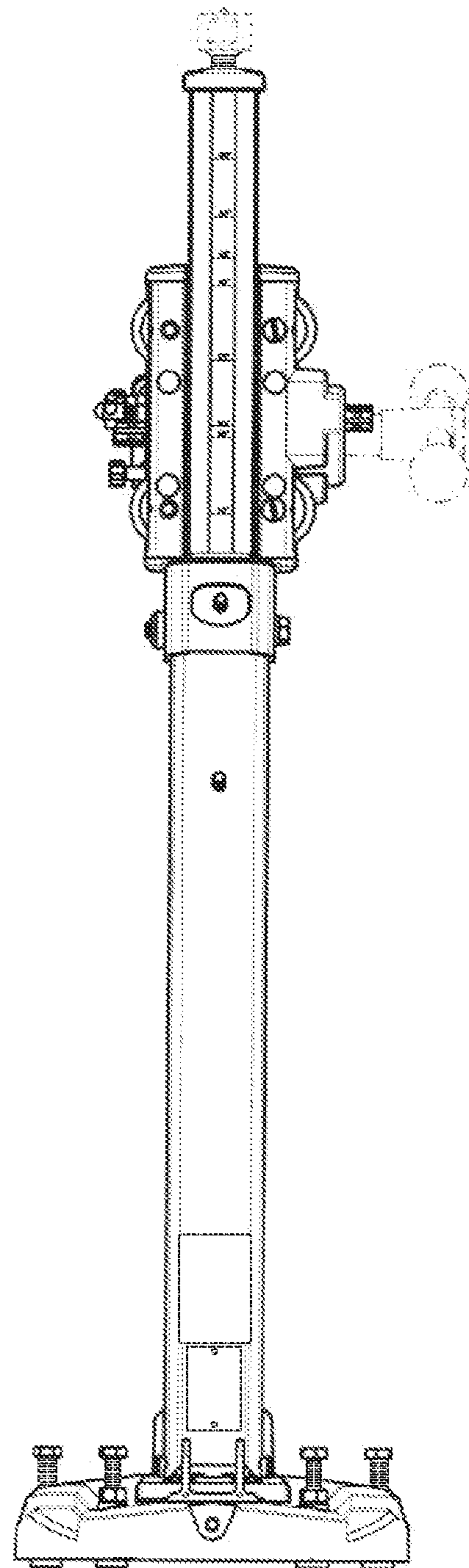


FIG. 12

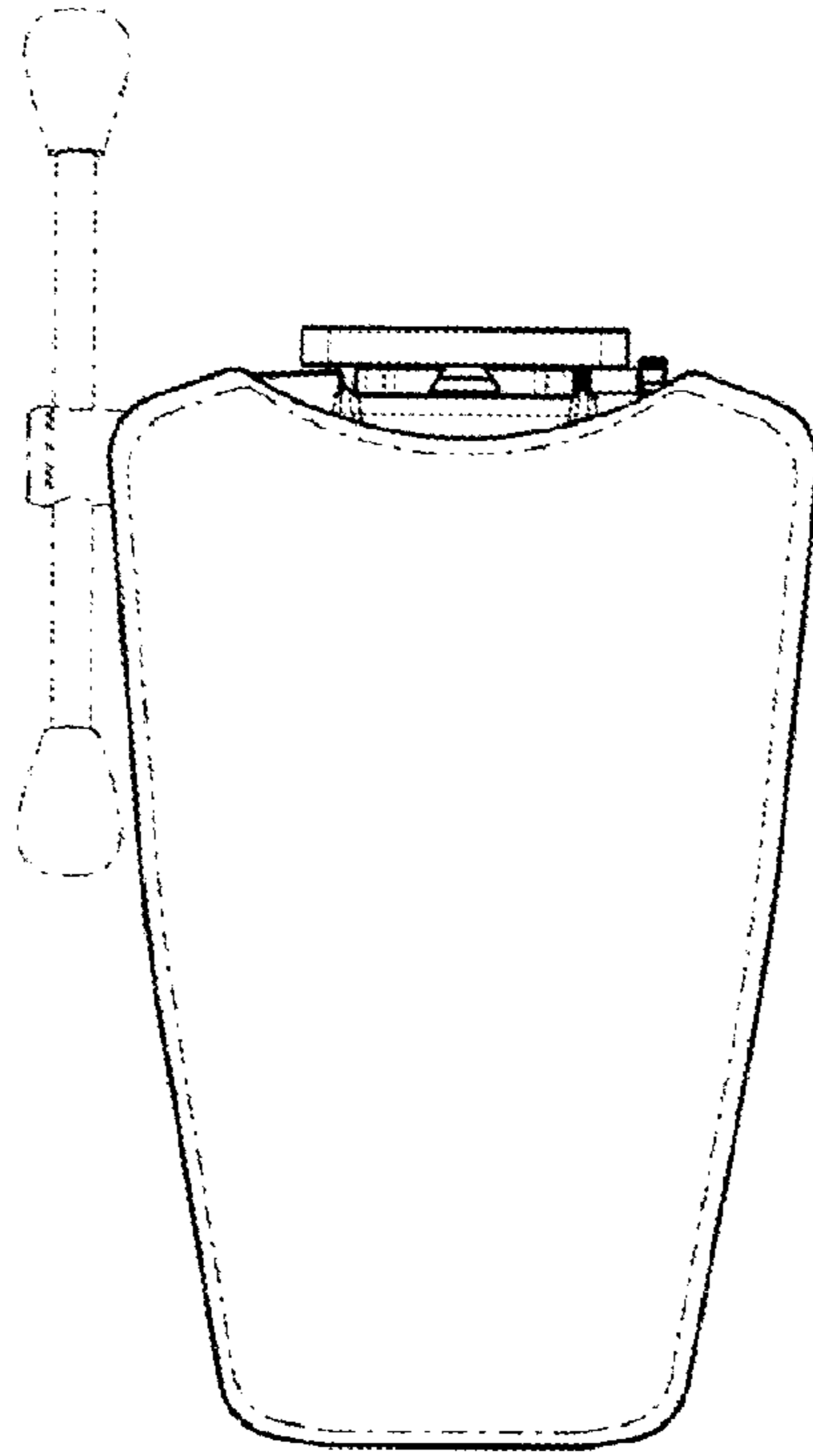


FIG. 13

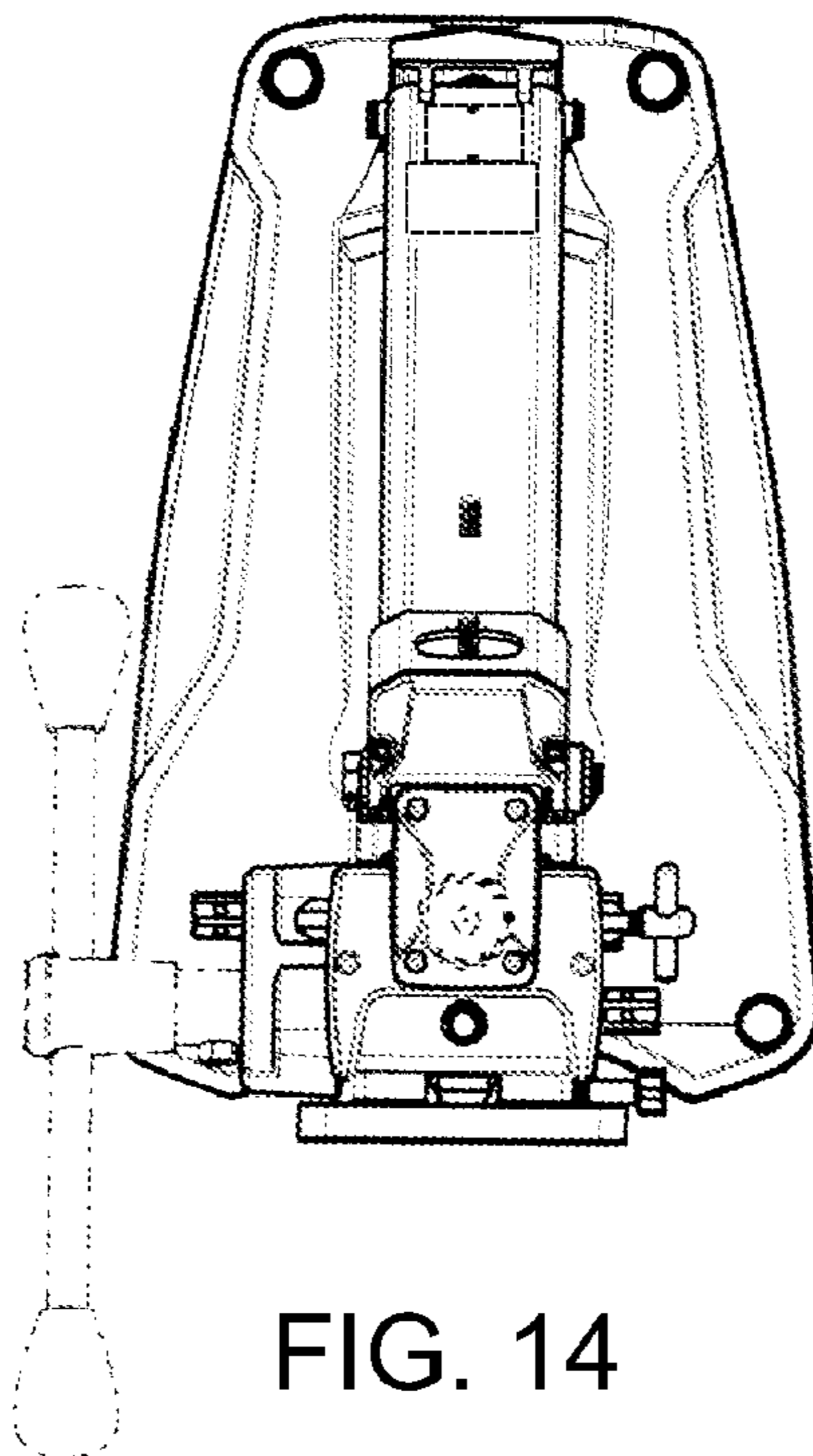


FIG. 14