



US00D617354S

(12) **United States Design Patent**  
**Banjo et al.**

(10) **Patent No.:** **US D617,354 S**  
(45) **Date of Patent:** **\*\* Jun. 8, 2010**

(54) **PORTABLE LOG SPLITTER WITH FOLDING TAIL LIGHTS**

2007/0000975 A1 1/2007 Paradise  
2008/0251158 A1\* 10/2008 Koch ..... 144/366

(75) Inventors: **Daniel Banjo**, Boulder, CO (US);  
**Jonathan Harrach-Salazar**, Erie, CO (US)

\* cited by examiner

*Primary Examiner*—Sandra Snapp  
*Assistant Examiner*—Patricia Palasik  
(74) *Attorney, Agent, or Firm*—Sheridan Ross P.C.

(73) Assignee: **Special Products Co.**, Golden, CO (US)

(\*\*) Term: **14 Years**

(57) **CLAIM**

(21) Appl. No.: **29/334,205**

The ornamental design for a portable log splitter with folding tail lights, as shown and described.

(22) Filed: **Mar. 23, 2009**

**DESCRIPTION**

(51) **LOC (9) Cl.** ..... **15-09**

(52) **U.S. Cl.** ..... **D15/127**

(58) **Field of Classification Search** ..... D15/127,  
D15/199; 108/12, 19; 144/193.1–195.6,  
144/366

FIG. 1 is a front perspective view of a portable log splitter with folding tail lights shown in an open position, the dashed line representing environment and forming no part of the claimed invention;

See application file for complete search history.

FIG. 2 is a front elevation view of the portable log splitter of FIG. 1;

(56) **References Cited**

**U.S. PATENT DOCUMENTS**

D253,654 S	12/1979	Davis	
D261,143 S *	10/1981	Green	..... D15/127
4,351,377 A *	9/1982	Hamel	..... 144/195.1
4,377,190 A	3/1983	Pierrat	
4,380,258 A	4/1983	Hanser	
4,700,759 A	10/1987	Duerr	
4,770,218 A	9/1988	Duerr	
4,782,870 A *	11/1988	Duerr	..... 144/195.1
D326,665 S *	6/1992	Greenburg et al.	..... D15/127
5,284,193 A	2/1994	Mires et al.	
5,373,877 A	12/1994	Chapman	
6,318,424 B1 *	11/2001	Elfrink	..... 144/195.1
D528,570 S *	9/2006	Lewis et al.	..... D15/127
D544,505 S *	6/2007	VanderBurgh et al.	..... D15/127
7,255,143 B1 *	8/2007	Babcock et al.	..... 144/195.1
7,334,615 B2 *	2/2008	Paradise	..... 144/193.2
D585,915 S *	2/2009	Feng	..... D15/127
2004/0250895 A1 *	12/2004	Marx	..... 144/193.1
2005/0284540 A1 *	12/2005	Walker et al.	..... 144/193.2
2005/0284541 A1	12/2005	Walker et al.	

FIG. 3 is a rear elevation view of the portable log splitter of FIG. 1;

FIG. 4 is a top plan view of the invention illustrated in FIG. 1;

FIG. 5 is a left elevation view of the invention illustrated in FIG. 1;

FIG. 6 is a right elevation view of the invention illustrated in FIG. 1;

FIG. 7 is a bottom plan view of the invention illustrated in FIG. 1;

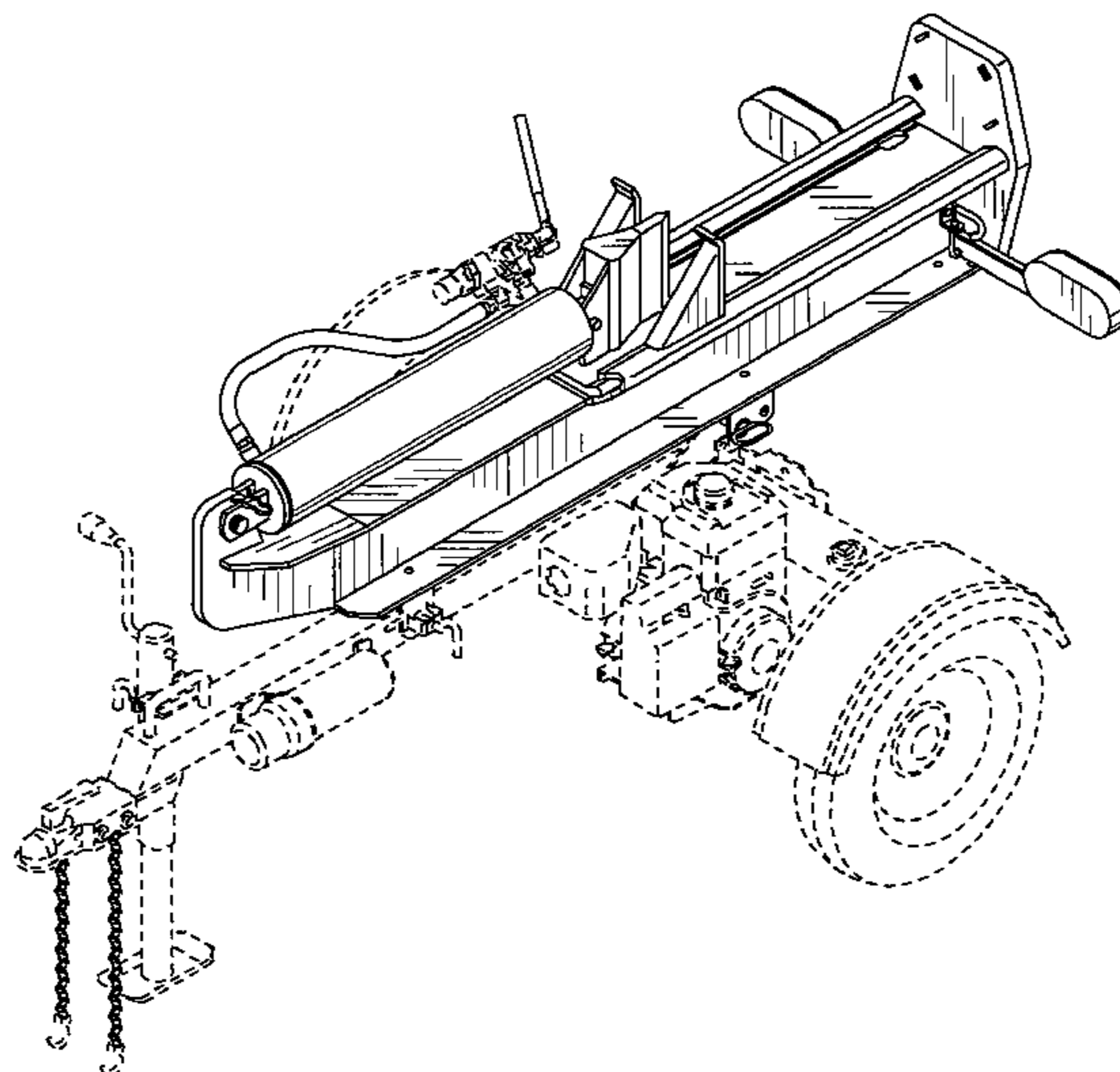
FIG. 8 is a top plan view of the portable log splitter of FIG. 1, with the folding lights shown in a closed position;

FIG. 9 is a is a front perspective view of the portable log splitter of FIG. 8;

FIG. 10 is a front elevation view of the portable log splitter of FIG. 8; and,

FIG. 11 is a rear elevation view of the portable log splitter of FIG. 8.

**1 Claim, 11 Drawing Sheets**



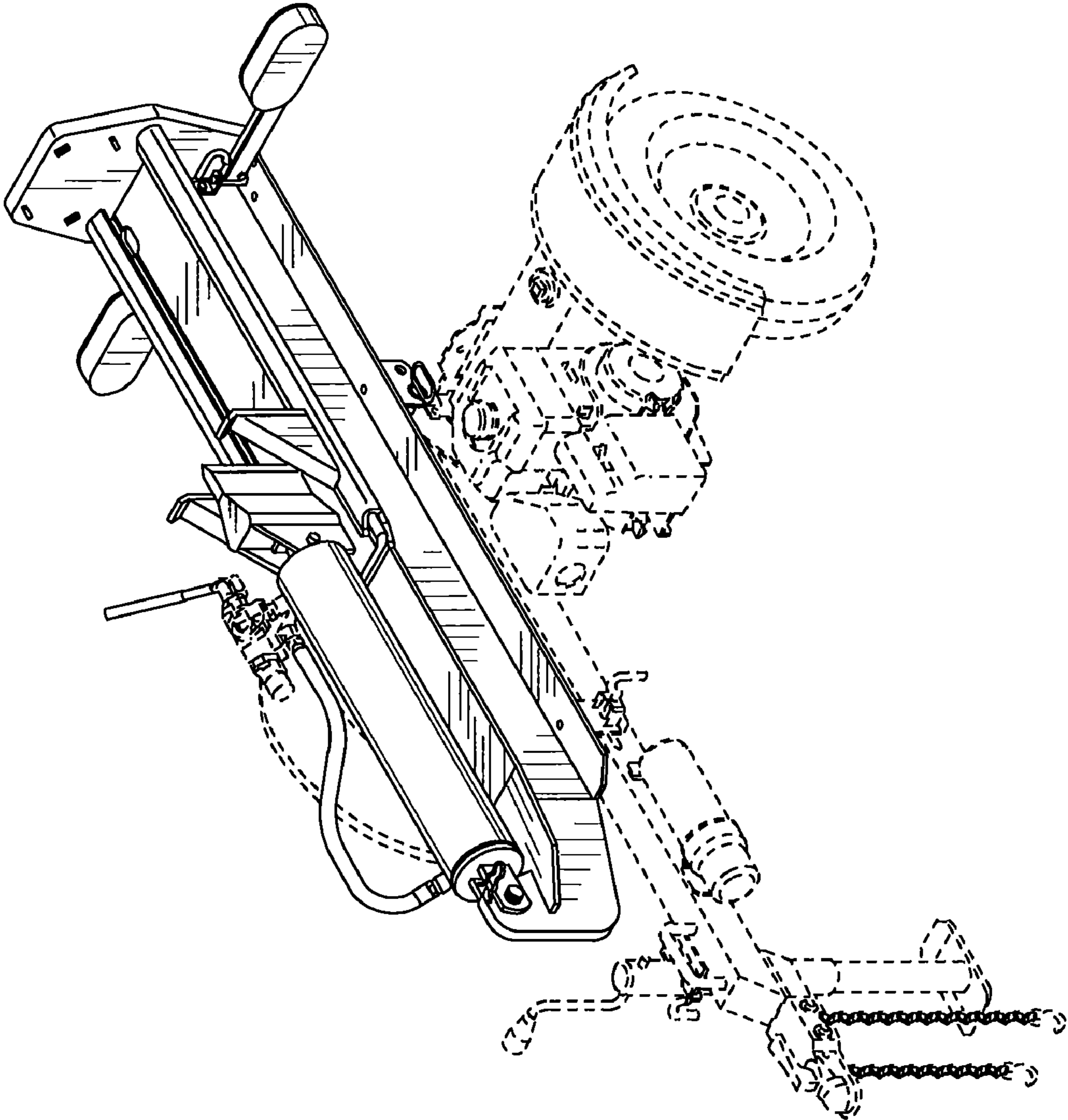
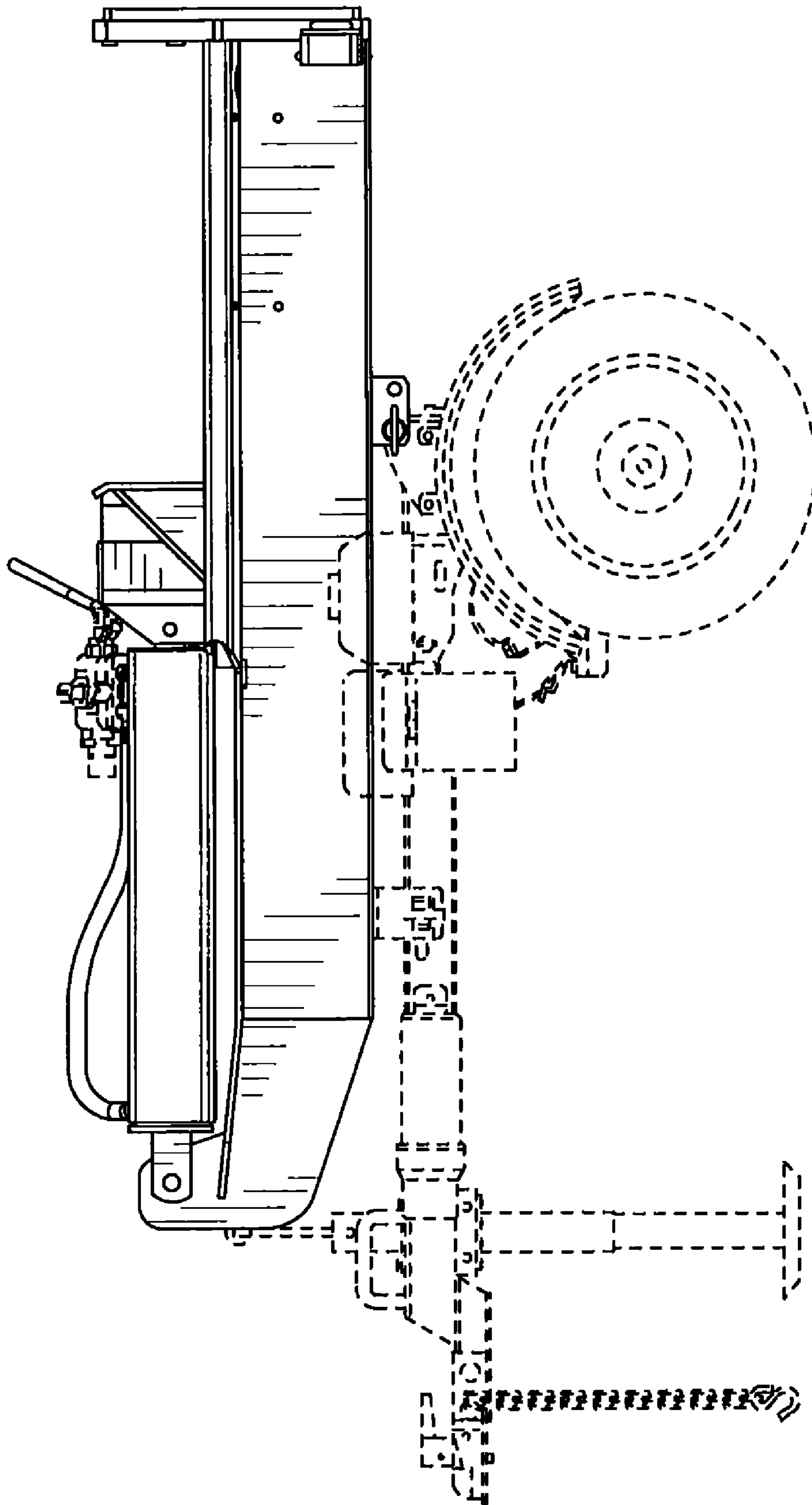
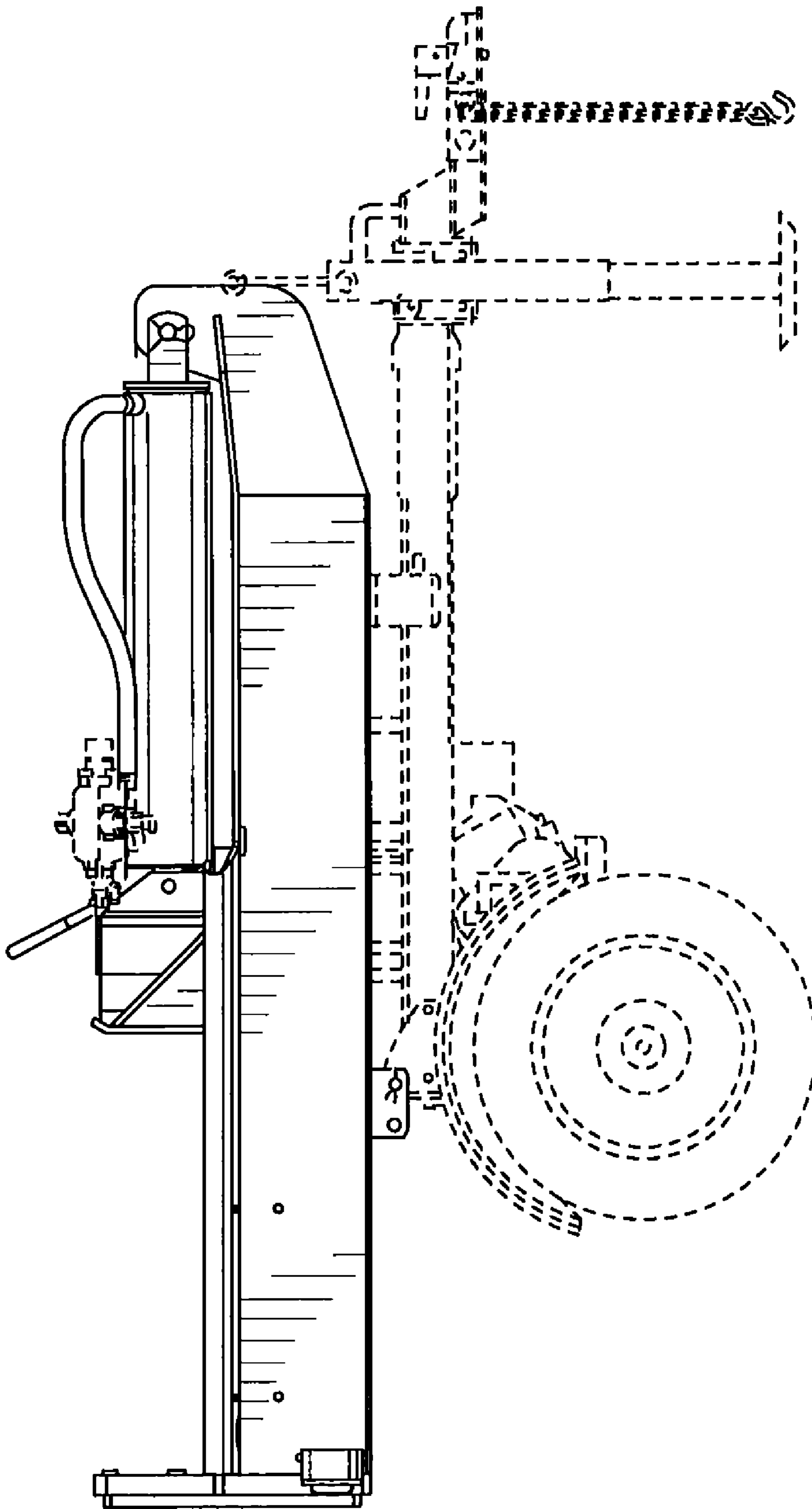


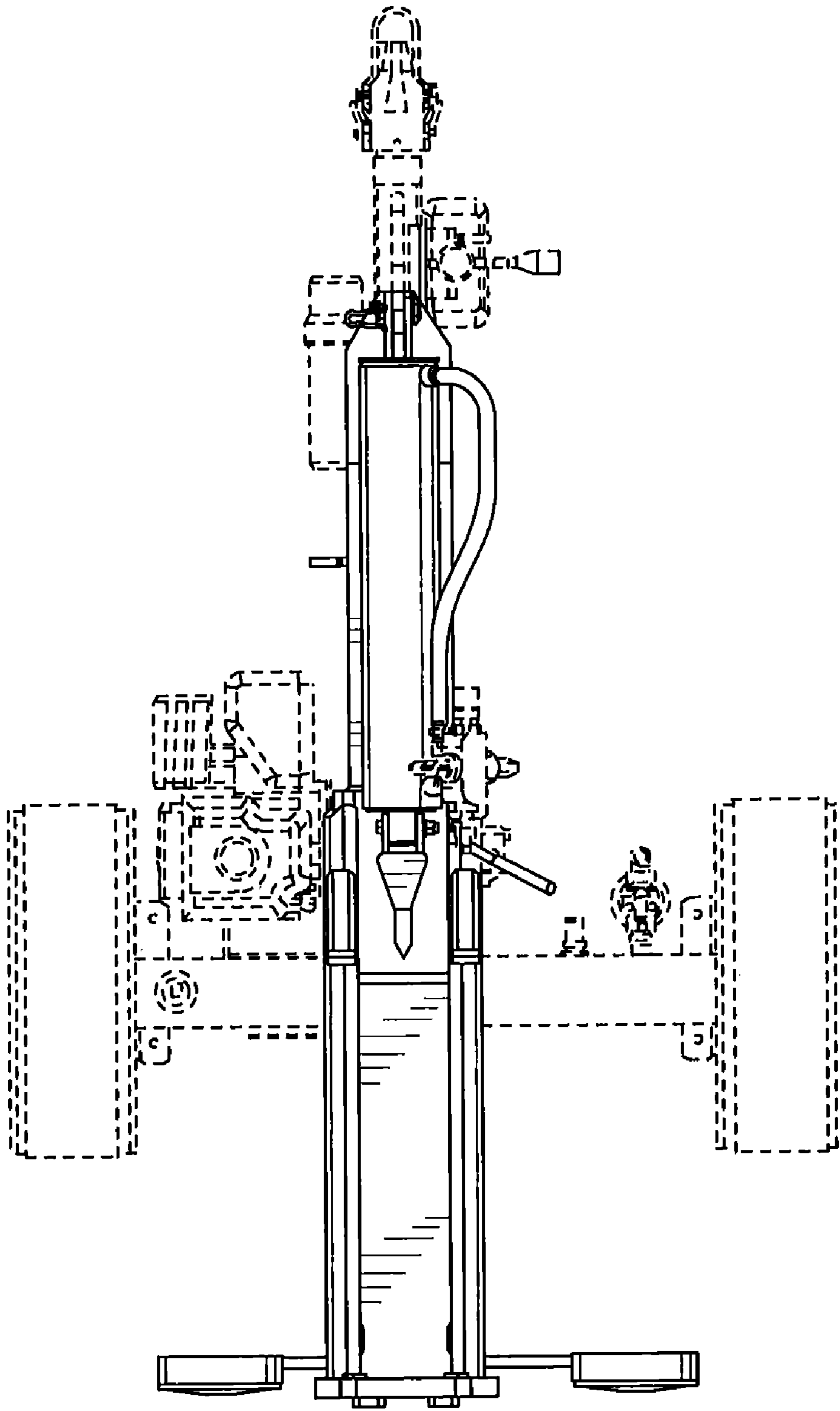
Fig. 1



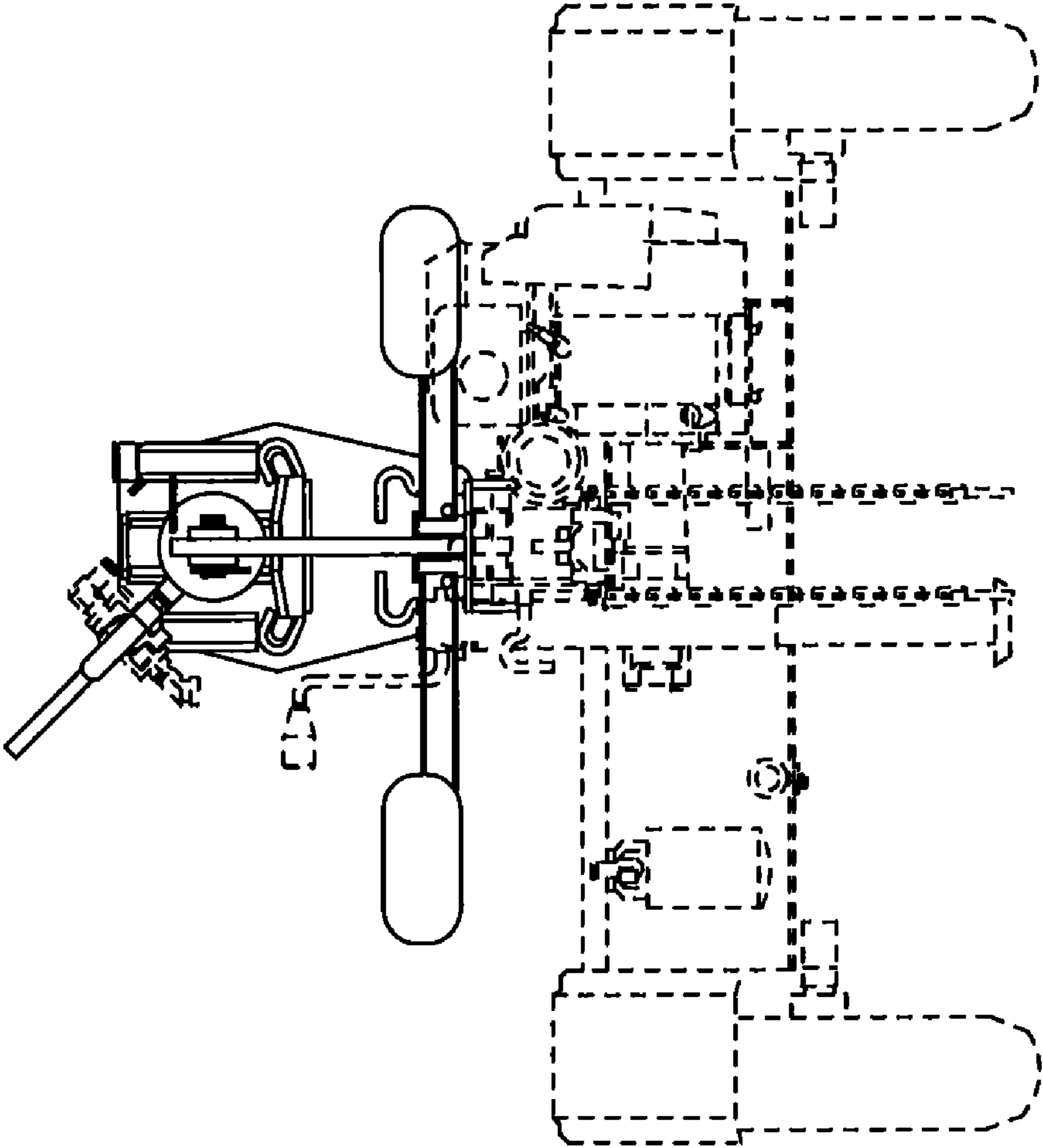
**Fig. 2**



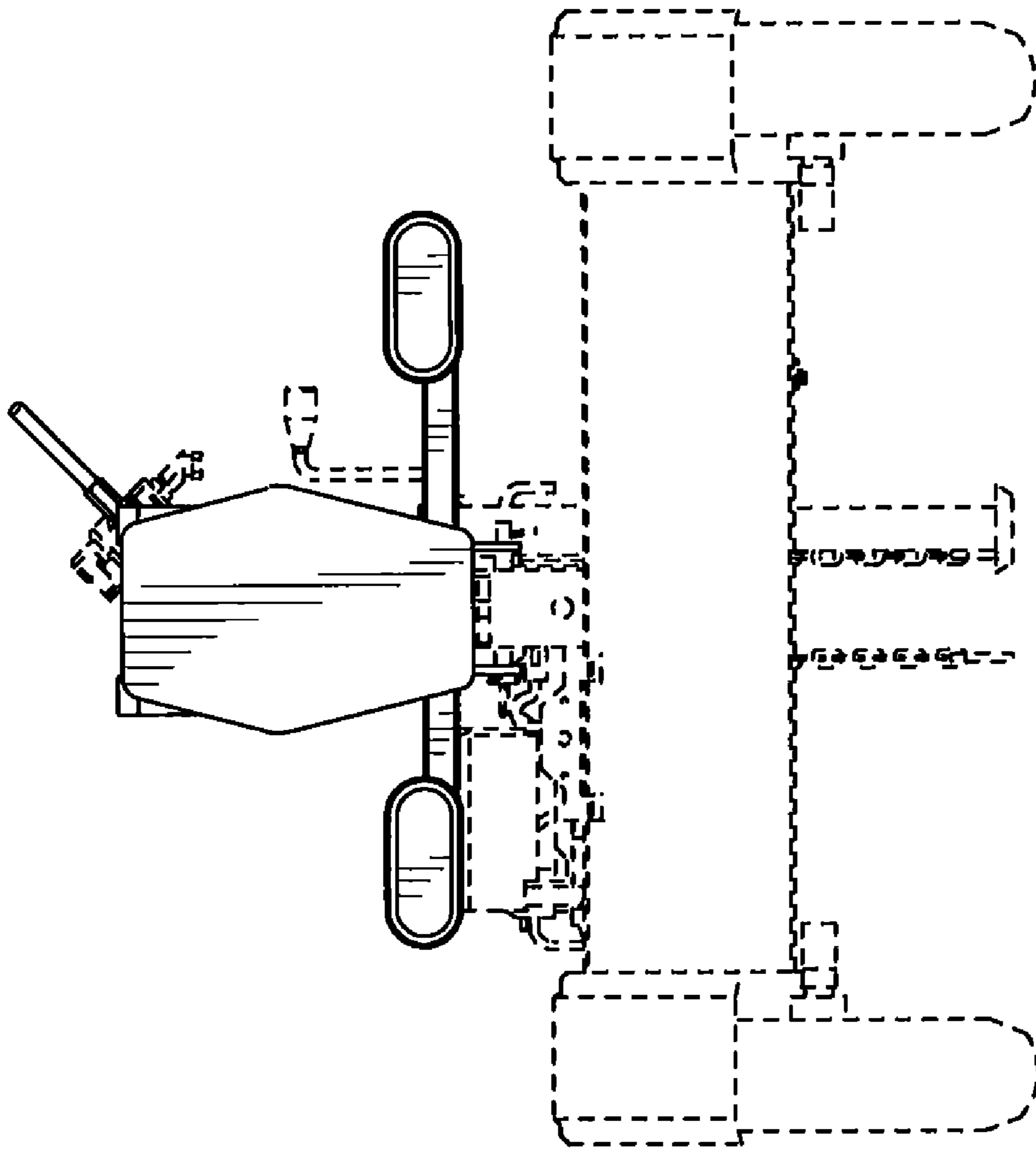
**Fig. 3**



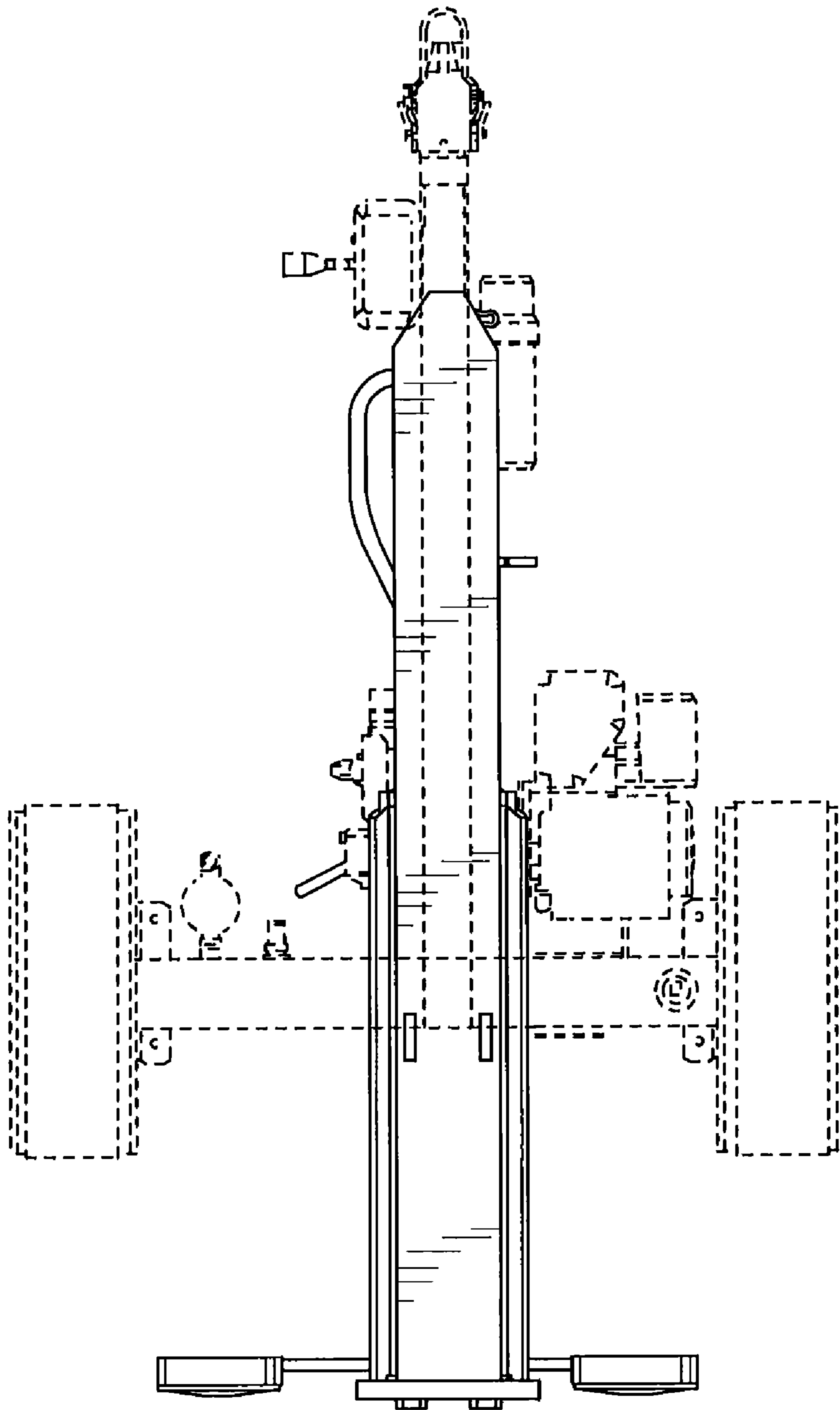
**Fig. 4**



**Fig. 5**

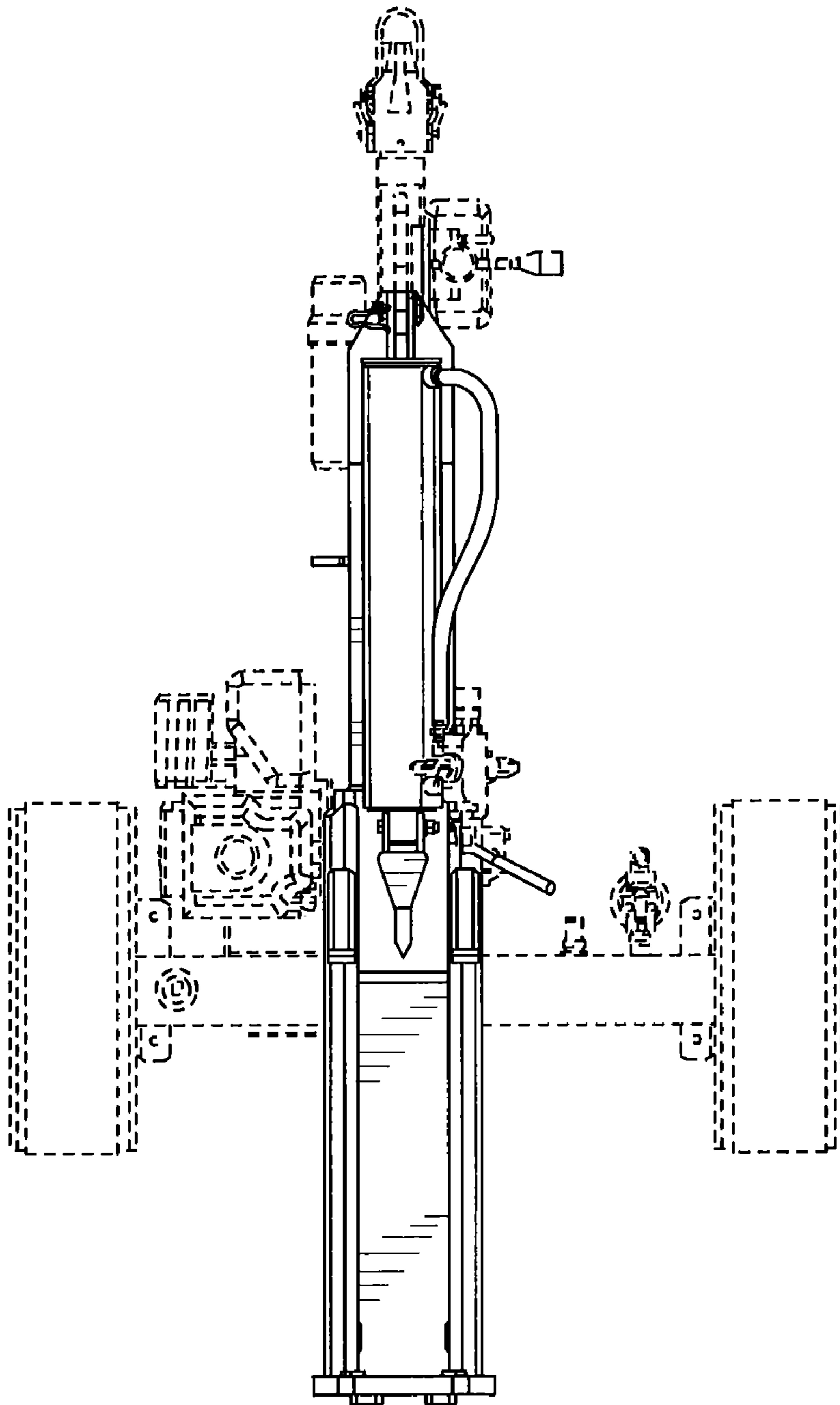


**Fig. 6**



**Fig. 7**





**Fig. 8**

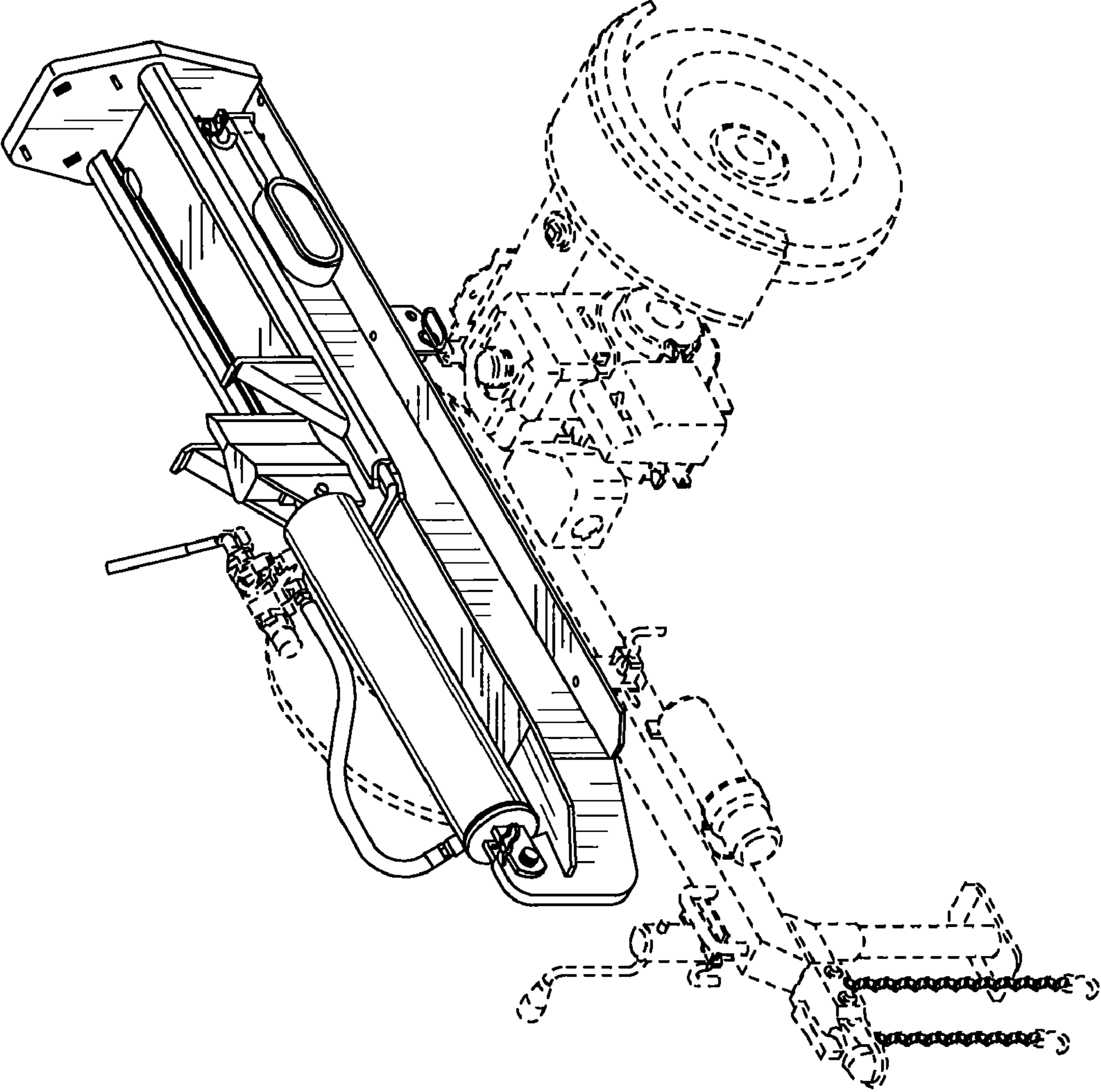
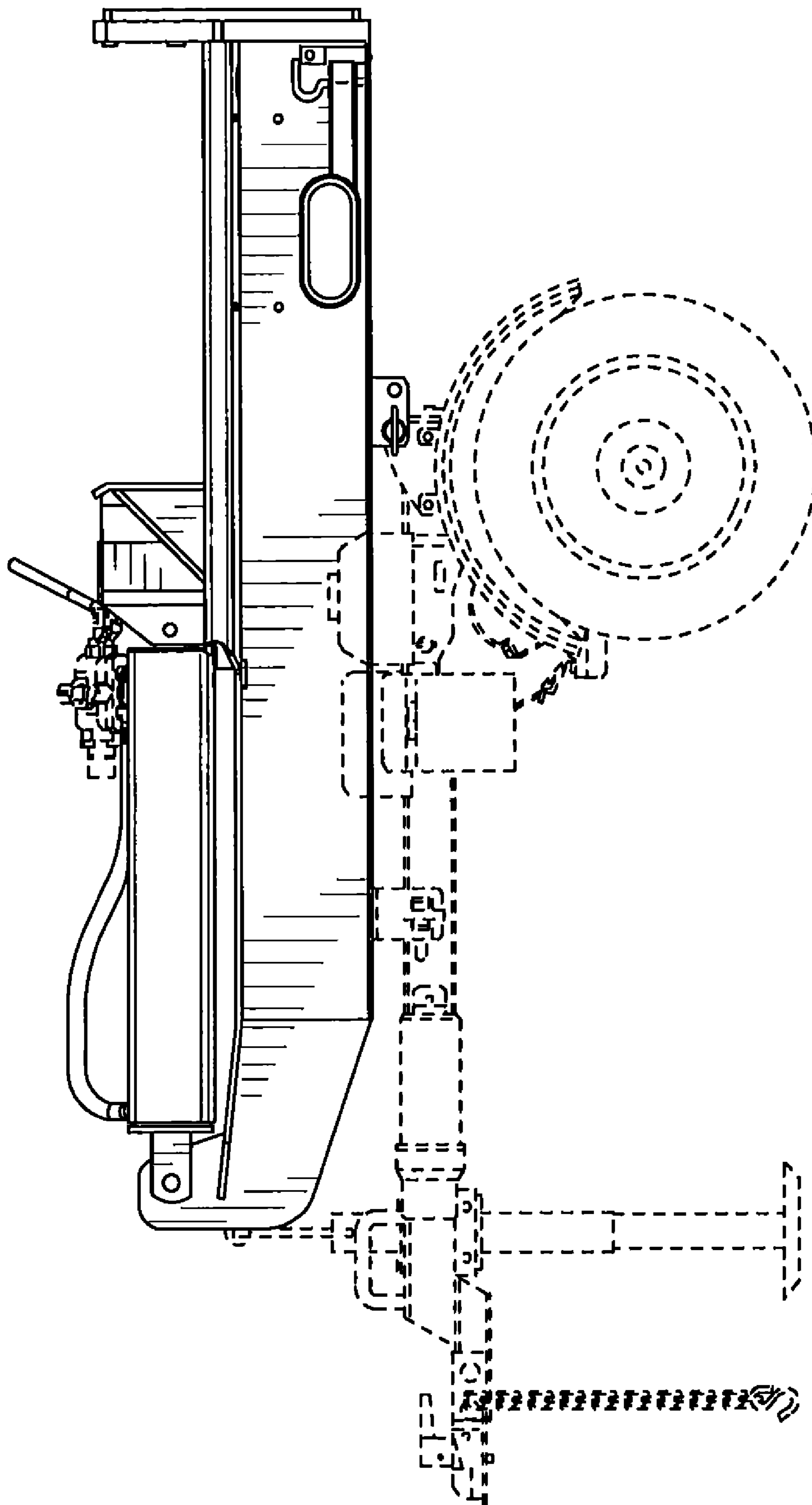
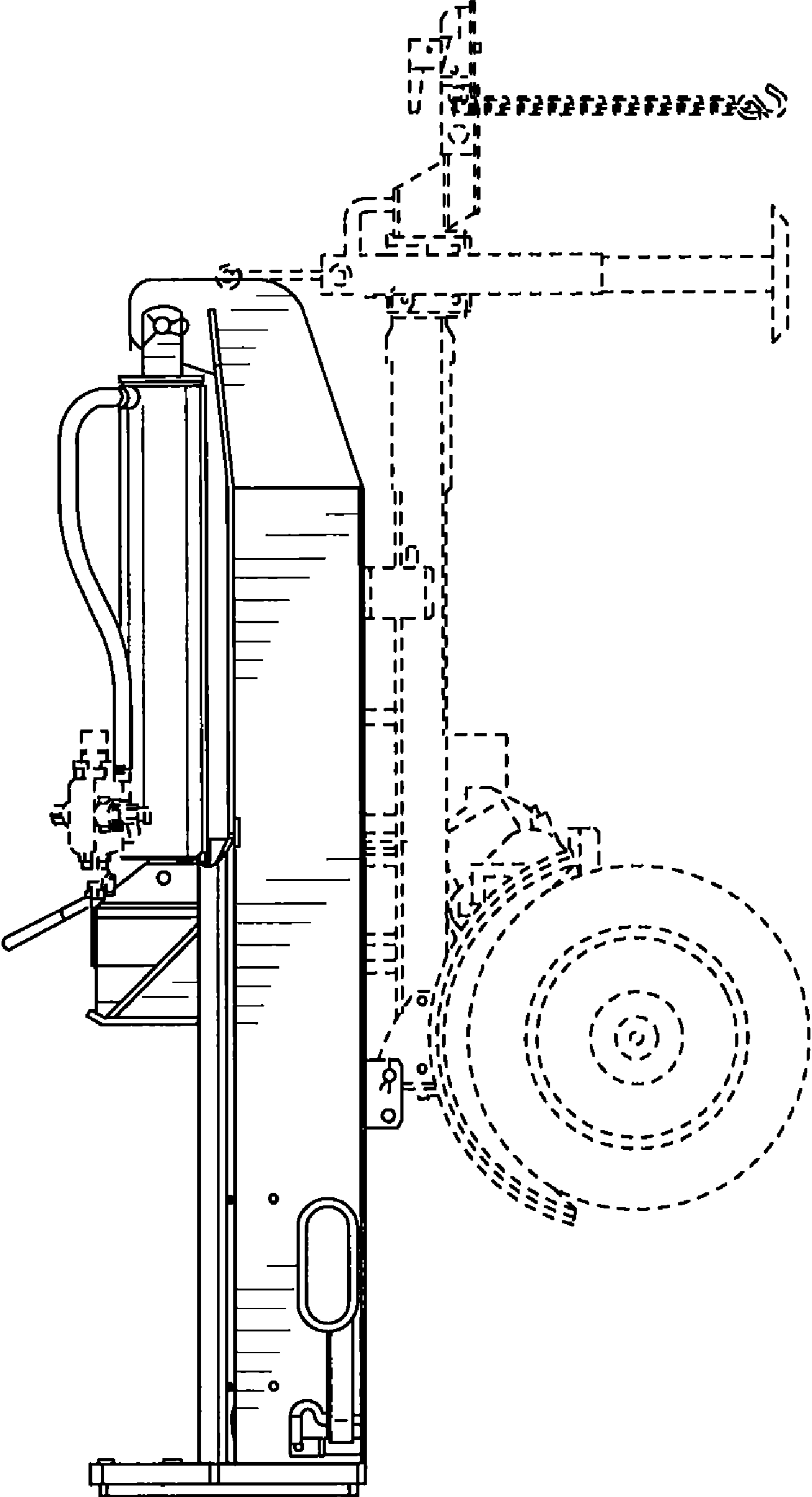


Fig. 9



**Fig. 10**



**Fig. 11**