



US00D617352S

(12) **United States Design Patent**
Pryor, Jr. et al.

(10) **Patent No.:** **US D617,352 S**
(45) **Date of Patent:** **** Jun. 8, 2010**

(54) **ICE CREAM MAKER**

(75) Inventors: **Ernest Pryor, Jr.**, Maidens, VA (US);
Benjamin Branson, III, Mechanicsville,
VA (US); **Mark Steiner**, Midlothian, VA
(US)

(73) Assignee: **Hamilton Beach Brands, Inc.**, Glen
Allen, VA (US)

(**) Term: **14 Years**

(21) Appl. No.: **29/345,463**

(22) Filed: **Oct. 16, 2009**

(51) **LOC (9) Cl.** **15-07**

(52) **U.S. Cl.** **D15/82**

(58) **Field of Classification Search** D15/79,
D15/80, 82; 62/3.6, 3.63, 3.64, 293, 467;
312/400-408; D7/371, 601, 602, 605-609
See application file for complete search history.

(56) **References Cited**

U.S. PATENT DOCUMENTS

D70,643 S	7/1926	Anduze	
1,978,176 A	10/1934	Steenstrup	
2,307,311 A	1/1943	Vilter et al.	
D142,680 S *	10/1945	Swanson	D7/371
D161,214 S *	12/1950	Bastian	D15/82
D168,316 S *	12/1952	Pulliam	D15/82
2,619,808 A	12/1952	Baird	
D194,074 S	11/1962	Schladermundt et al.	
3,087,708 A	4/1963	Sims	
D230,811 S	3/1974	Cheyne	
D234,319 S *	2/1975	Knight	D15/82
D236,757 S	9/1975	Lax	
4,070,957 A	1/1978	Korekawa et al.	
D248,202 S	6/1978	Schreckengost	
D251,432 S *	3/1979	Sawada et al.	D15/82
4,392,361 A	7/1983	Cavalli	
4,450,692 A	5/1984	Sharpe et al.	
D282,333 S	1/1986	Blake	
4,586,826 A	5/1986	Uesaka et al.	

D285,766 S	9/1986	Zieff	
4,664,529 A	5/1987	Cavalli	
4,674,886 A	6/1987	Uesaka et al.	
D293,448 S *	12/1987	Uesaka	D15/82
4,716,822 A	1/1988	O'Brien	
D296,749 S *	7/1988	Threadgill et al.	D15/82
4,838,702 A	6/1989	Torimitsu et al.	
4,910,973 A	3/1990	Osrow et al.	
5,363,746 A	11/1994	Gordon	
5,549,042 A	8/1996	Bukoschek et al.	
6,267,049 B1	7/2001	Silvano	
D478,100 S *	8/2003	Wade	D15/82
D515,113 S	2/2006	Monsalve et al.	
D534,931 S *	1/2007	Kirkland	D15/79
D544,307 S	6/2007	Ablo	
2006/0263490 A1	11/2006	Wall et al.	
2008/0282723 A1	11/2008	Perrier et al.	

* cited by examiner

Primary Examiner—Shanda C Hill

(74) *Attorney, Agent, or Firm*—Panitch Schwarze Belisario & Nadel LLP

(57) **CLAIM**

The ornamental design for an ice cream maker, as shown and described.

DESCRIPTION

FIG. 1 is a top right perspective view of an ice cream maker showing our new design.

FIG. 2 is a rear elevational view thereof;

FIG. 3 is a front elevational view thereof;

FIG. 4 is a left side elevational view thereof;

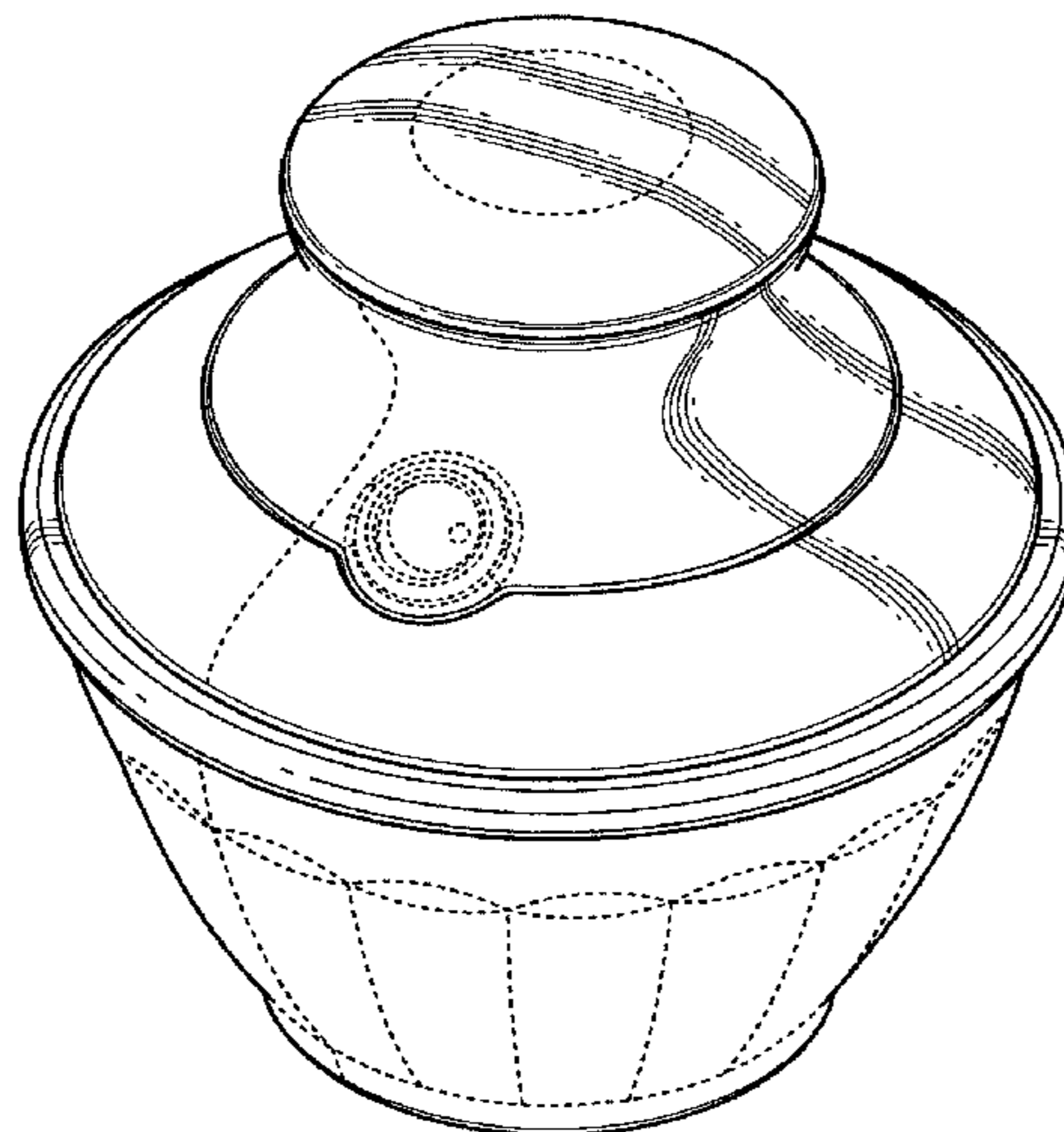
FIG. 5 is a right side elevational view thereof;

FIG. 6 is a top plan view thereof; and,

FIG. 7 is bottom plan view thereof.

The broken lines in the figures are for illustrative purposes only and form no part of the claimed design.

1 Claim, 6 Drawing Sheets



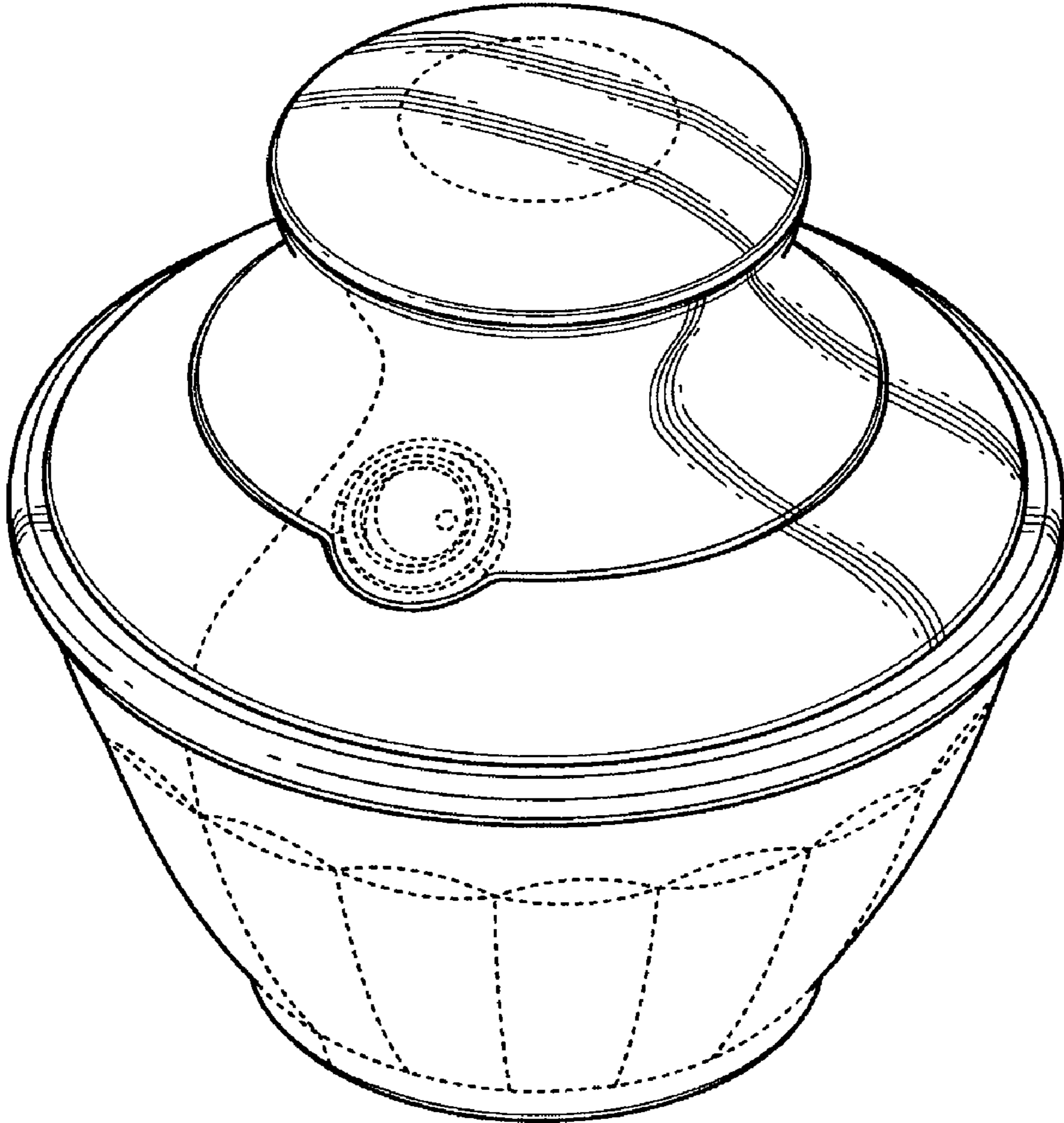


FIG. 1

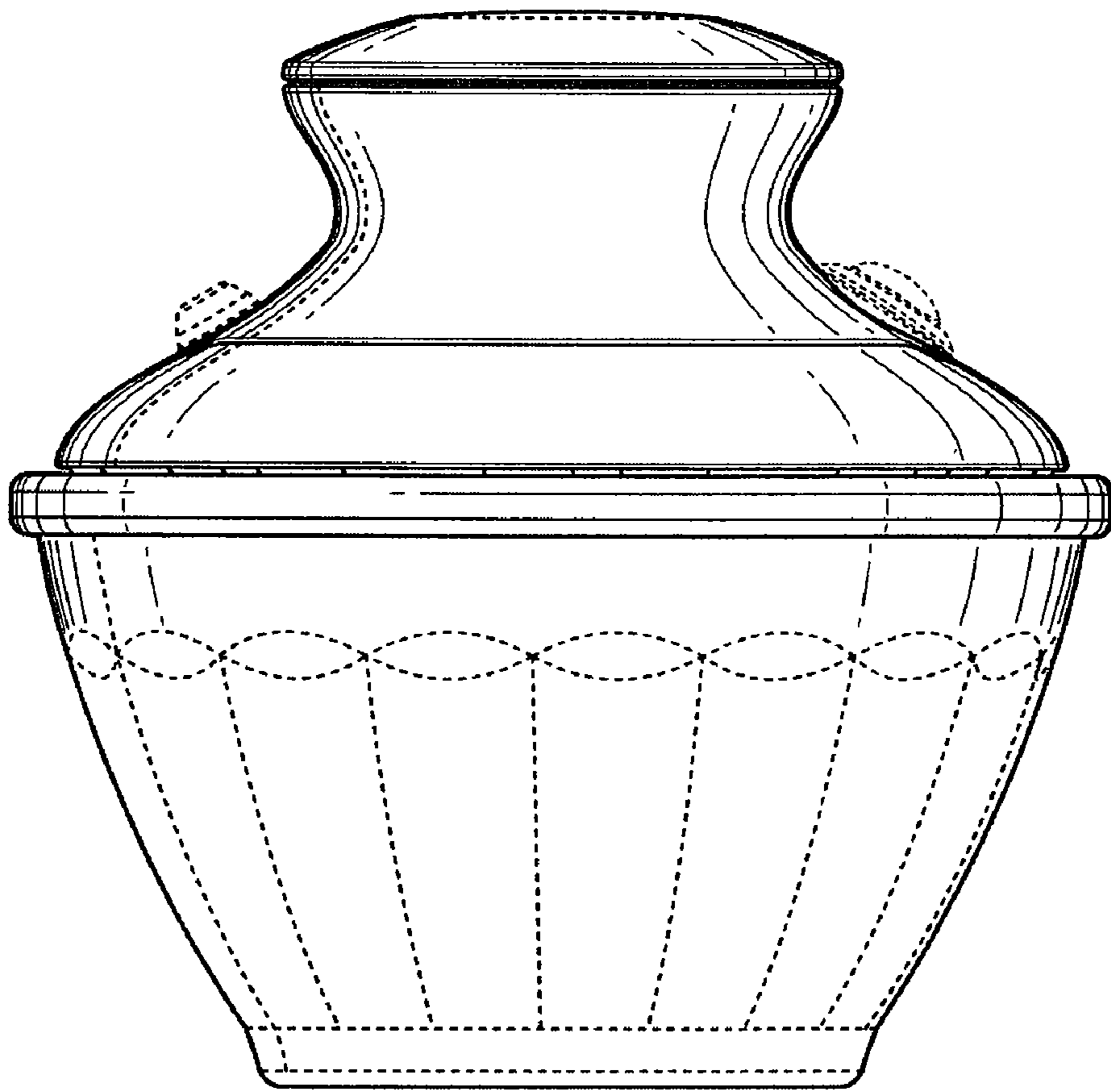


FIG. 2

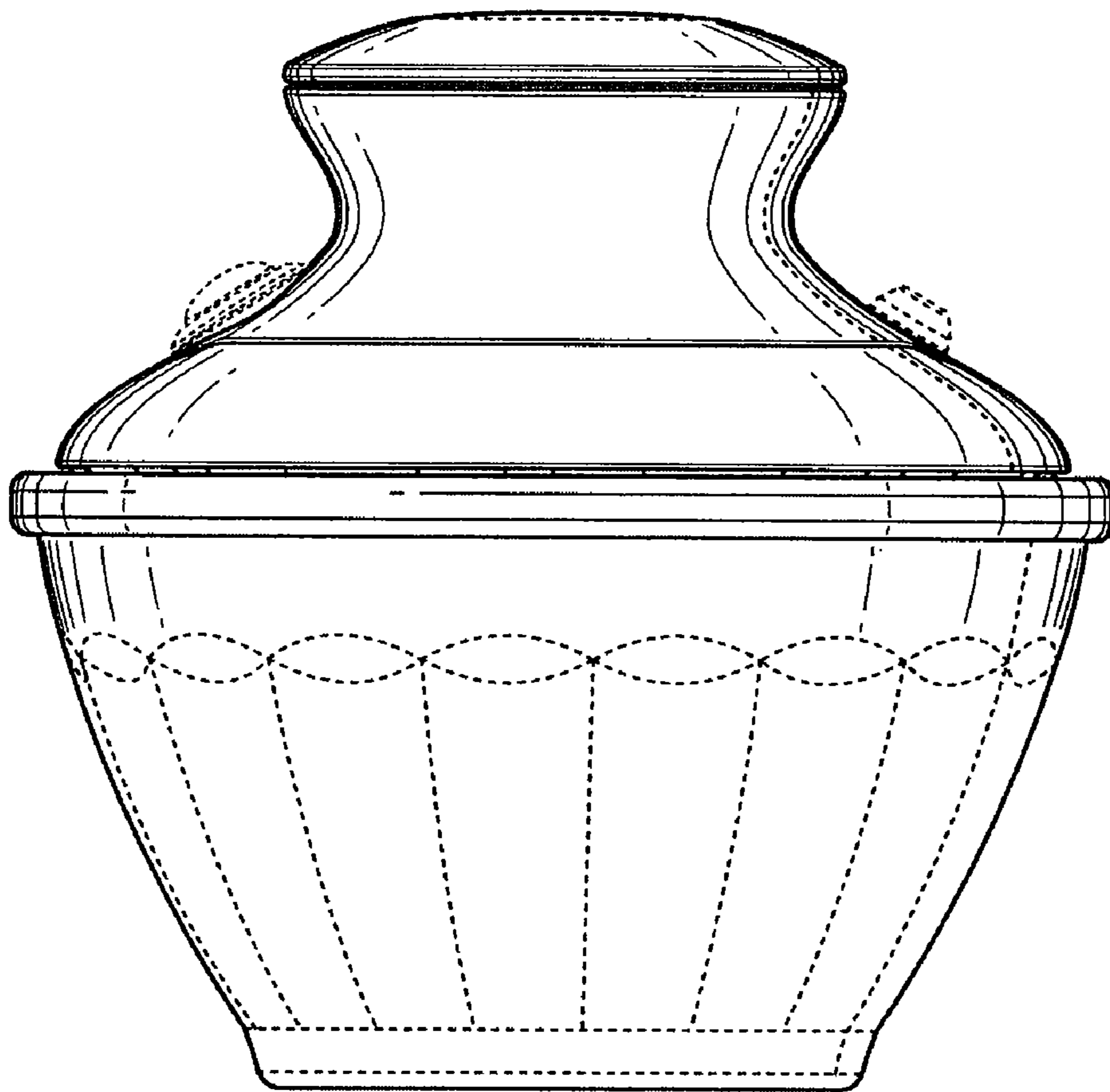


FIG. 3

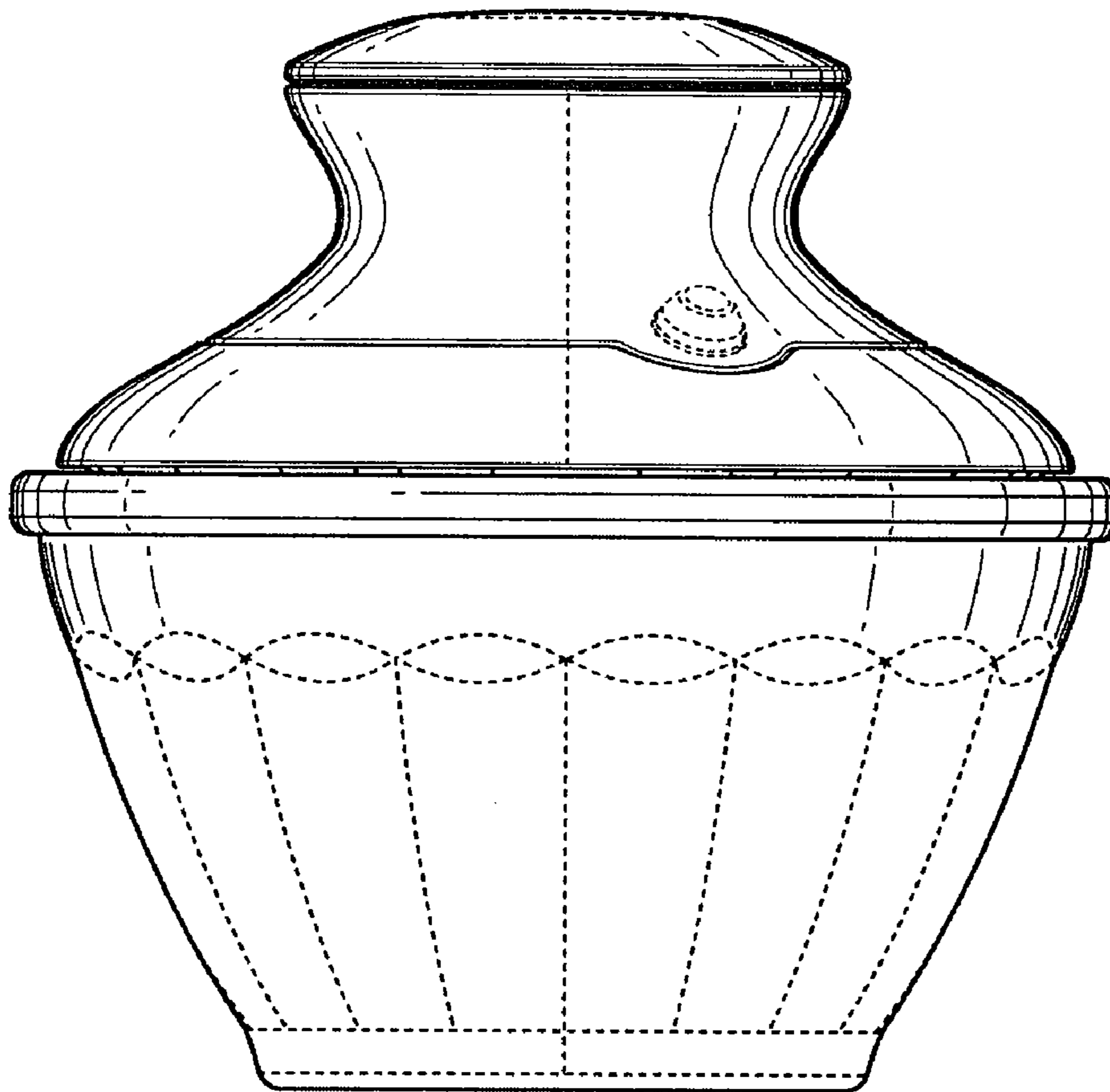


FIG. 4

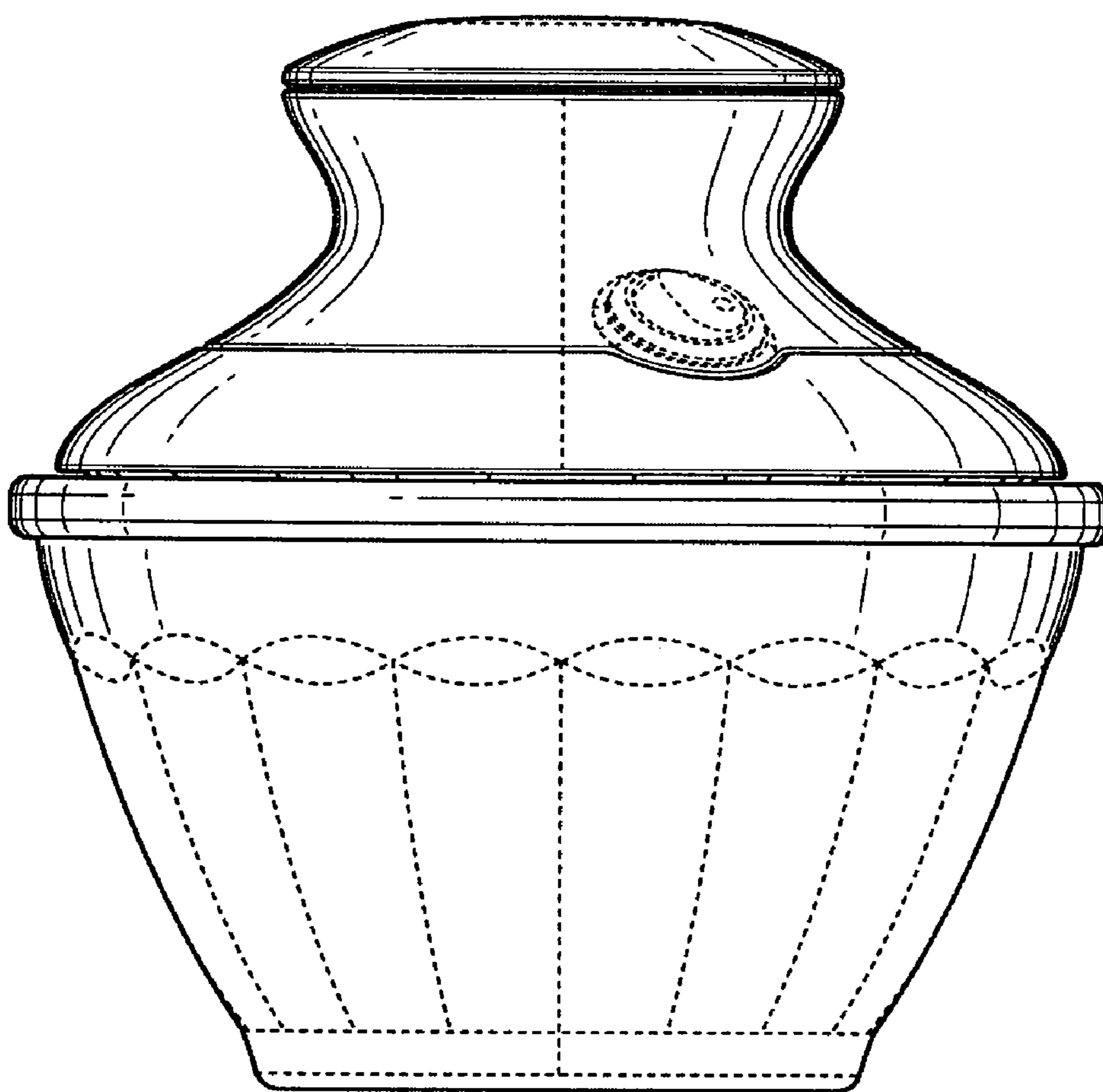


FIG. 5

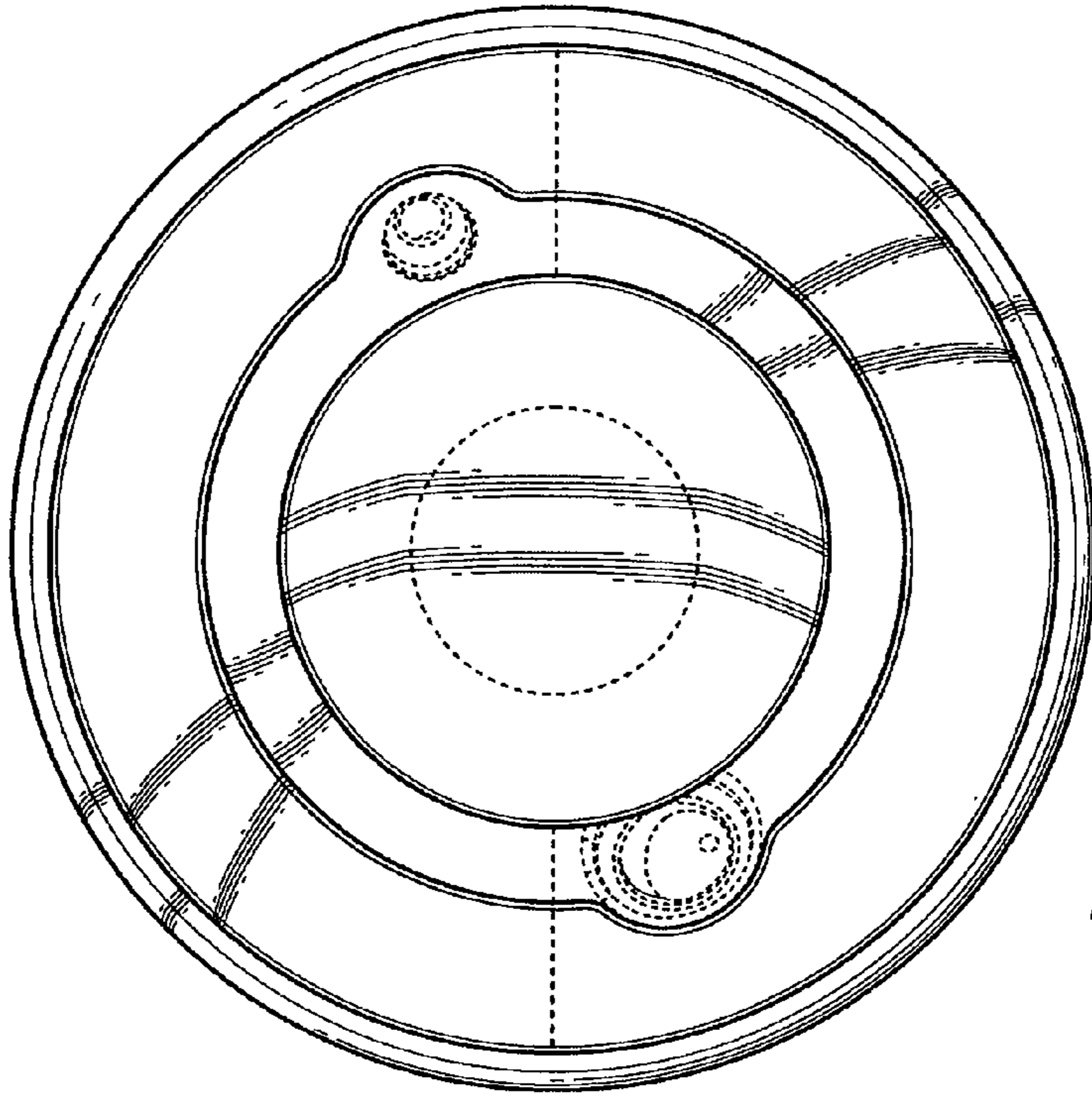


FIG. 6

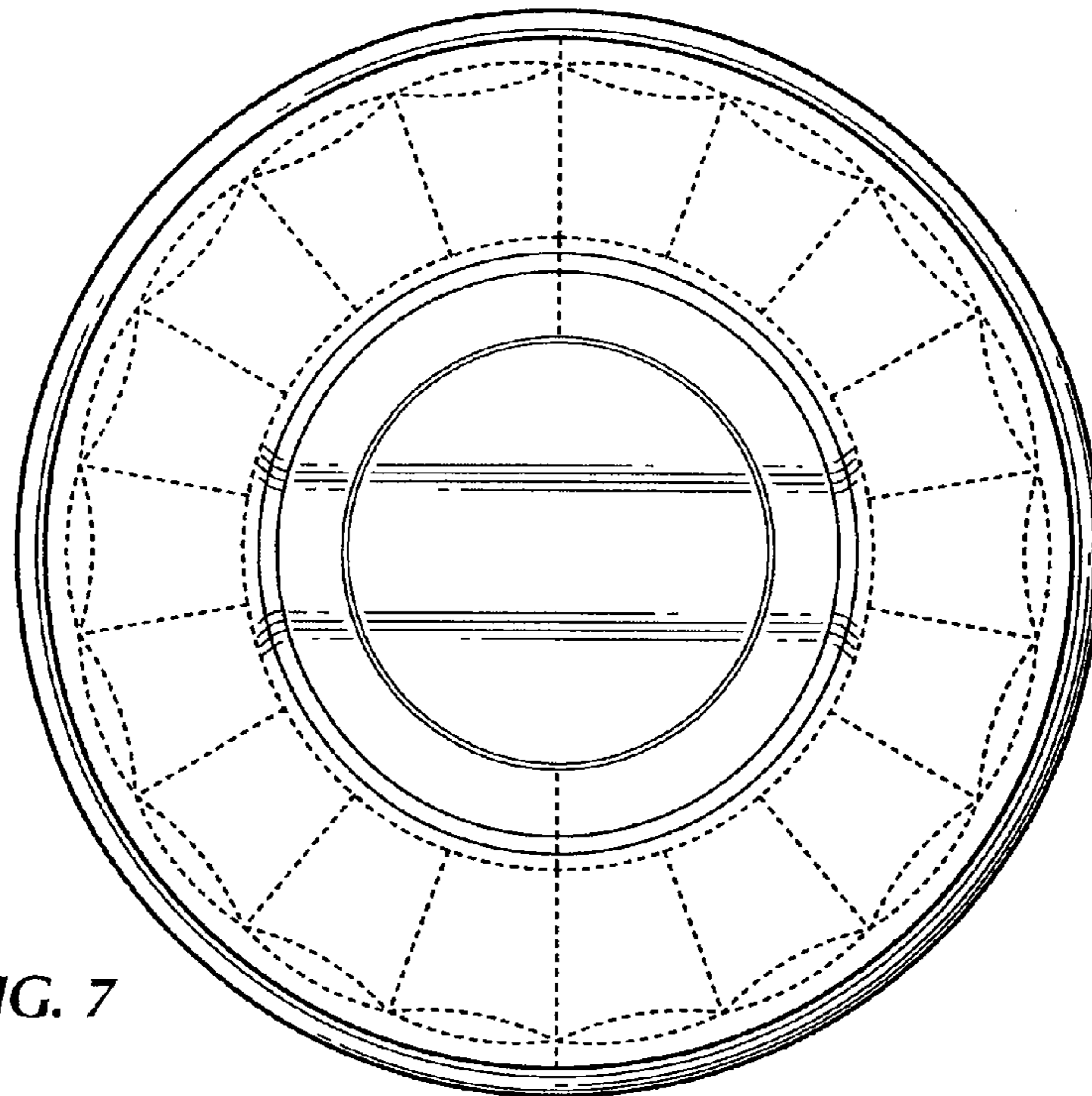


FIG. 7