



US00D617351S

(12) **United States Design Patent**  
**Brockway**

(10) **Patent No.:** **US D617,351 S**  
(45) **Date of Patent:** **\*\* Jun. 8, 2010**

(54) **HORIZONTAL SCISSOR TIP COMPACTION CLEAT**

(75) Inventor: **Robert John Brockway**, Scottsboro, AL (US)

(73) Assignee: **Terra Compactor Wheel Corp.**, Scottsboro, AL (US)

(\*\*) Term: **14 Years**

(21) Appl. No.: **29/346,671**

(22) Filed: **Nov. 4, 2009**

(51) **LOC (9) Cl.** ..... **15-03**

(52) **U.S. Cl.** ..... **D15/28; D15/29; D15/20**

(58) **Field of Classification Search** ..... D15/20, D15/21, 28, 29; D12/604; 404/121, 90, 404/124; 301/43, 44.1-44.6; 172/122, 540, 172/554

See application file for complete search history.

(56) **References Cited**

**U.S. PATENT DOCUMENTS**

3,650,185	A *	3/1972	Takata	.....	404/121
3,891,341	A *	6/1975	Trainor et al.	.....	404/121
4,074,942	A *	2/1978	Cochran	.....	404/121
4,481,728	A *	11/1984	Mulder et al.	.....	37/452
4,668,122	A *	5/1987	Riddle	.....	404/121
4,919,566	A *	4/1990	Caron et al.	.....	404/121
H946	H *	8/1991	Lonn	.....	404/121
5,217,321	A *	6/1993	Corcoran et al.	.....	404/121
5,217,322	A *	6/1993	Corcoran et al.	.....	404/121
D338,677	S *	8/1993	Corcoran et al.	.....	D15/28
D338,898	S *	8/1993	Corcoran et al.	.....	D15/28
5,358,355	A	10/1994	Brockway	.....	
D359,054	S *	6/1995	Gale et al.	.....	D15/20
5,581,914	A *	12/1996	Sinykin	.....	37/223
D379,630	S *	6/1997	Brockway	.....	D15/29
5,676,493	A *	10/1997	Brockway	.....	405/271
5,687,799	A *	11/1997	Greenfield et al.	.....	172/540

6,042,192	A *	3/2000	Brockway	.....	301/43
D430,172	S *	8/2000	Kesavan	.....	D15/28
6,273,516	B1 *	8/2001	Brockway	.....	301/43
D453,940	S *	2/2002	McCartney	.....	D15/28
D476,018	S *	6/2003	Hayashi et al.	.....	D15/28
6,652,186	B2 *	11/2003	Bierwith	.....	404/124
6,991,401	B1 *	1/2006	Caron	.....	404/124
7,108,452	B2 *	9/2006	Caron et al.	.....	404/124
7,163,354	B2 *	1/2007	Runestad	.....	404/129
D538,828	S *	3/2007	Stern	.....	D15/28
7,198,333	B1 *	4/2007	Freeman	.....	301/43
2002/0048489	A1 *	4/2002	Caron et al.	.....	404/124
2003/0063951	A1 *	4/2003	Bierwith	.....	404/124
2004/0033107	A1 *	2/2004	Caron et al.	.....	404/124
2009/0045669	A1 *	2/2009	McPhail et al.	.....	301/43

\* cited by examiner

*Primary Examiner*—Mark A Goodwin

(74) *Attorney, Agent, or Firm*—Ziolkowski Patent Solutions Group, SC

(57) **CLAIM**

The ornamental design for a horizontal scissor tip compaction cleat, as shown and described.

**DESCRIPTION**

FIG. 1 is a perspective view of a horizontal scissor tip cleat in accordance with an embodiment of the present invention.

FIG. 2 is a side elevational view of the horizontal scissor tip cleat of FIG. 1.

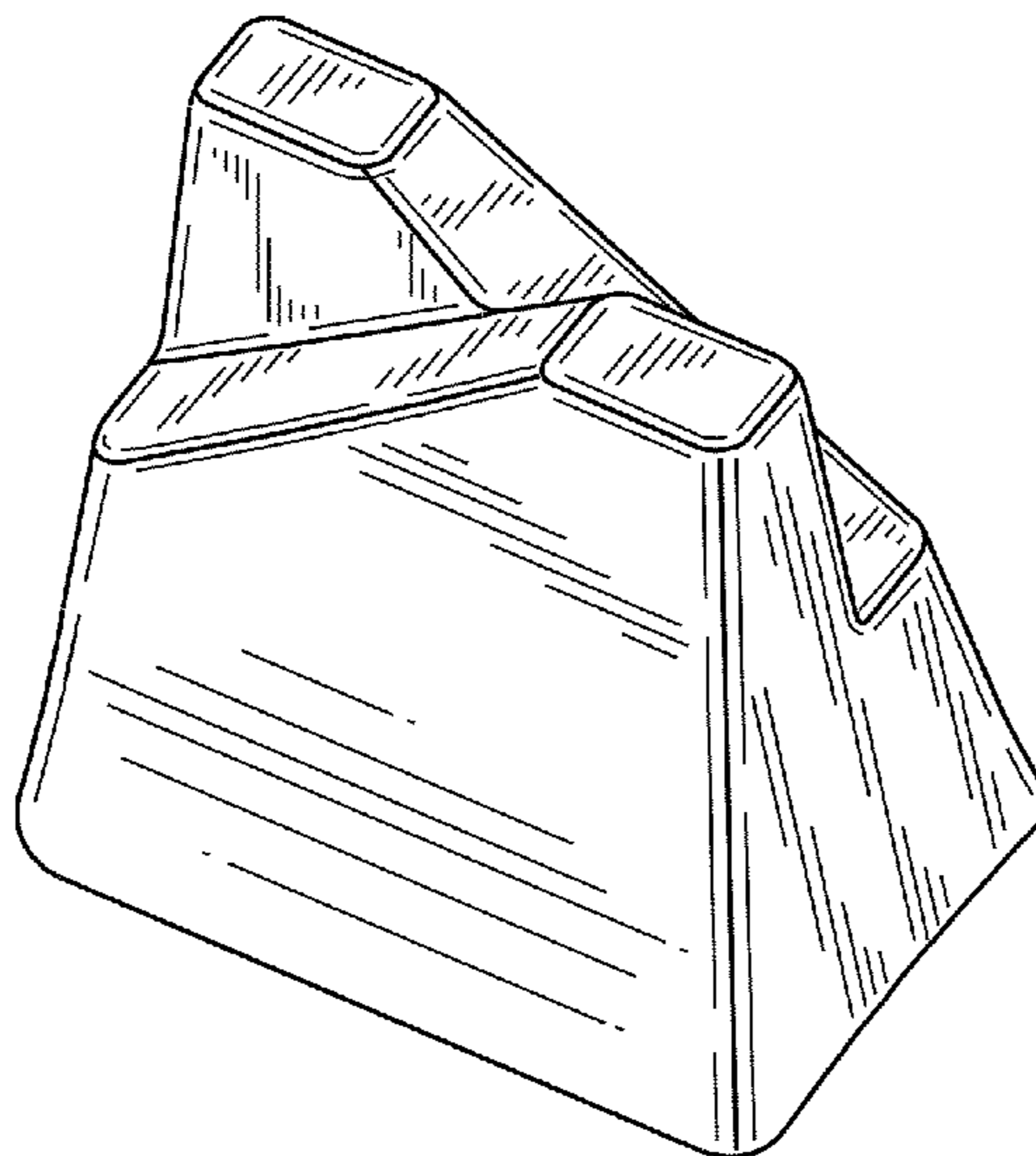
FIG. 3 is an end elevational view of the horizontal scissor tip cleat of FIG. 1.

FIG. 4 is a top plan view of the horizontal scissor tip cleat of FIG. 1; and,

FIG. 5 is a bottom plan view of the horizontal scissor tip cleat of FIG. 1.

The broken lines shown in all figures are for illustrative purposes only and form no part of the claimed design.

**1 Claim, 4 Drawing Sheets**



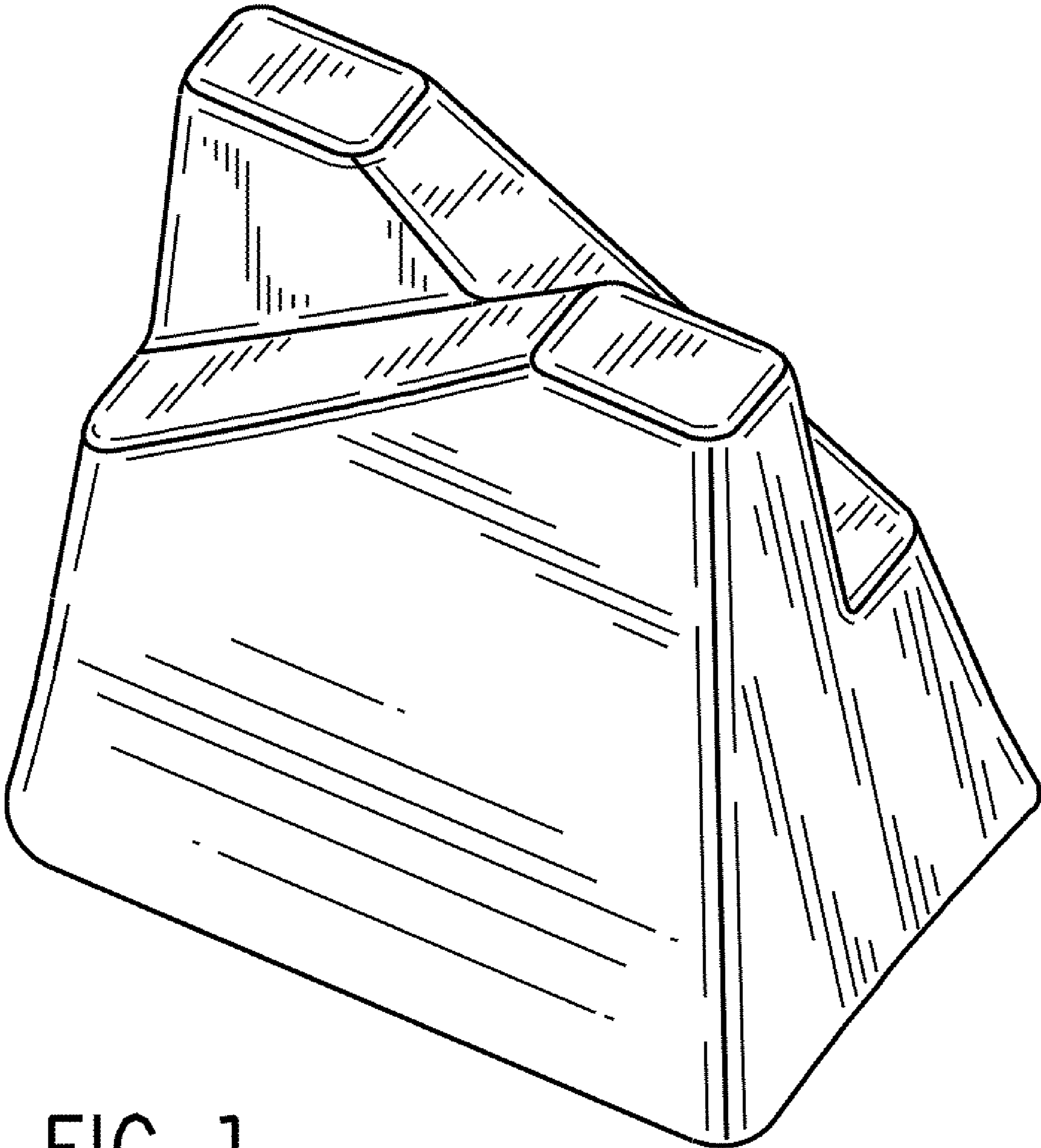


FIG. 1

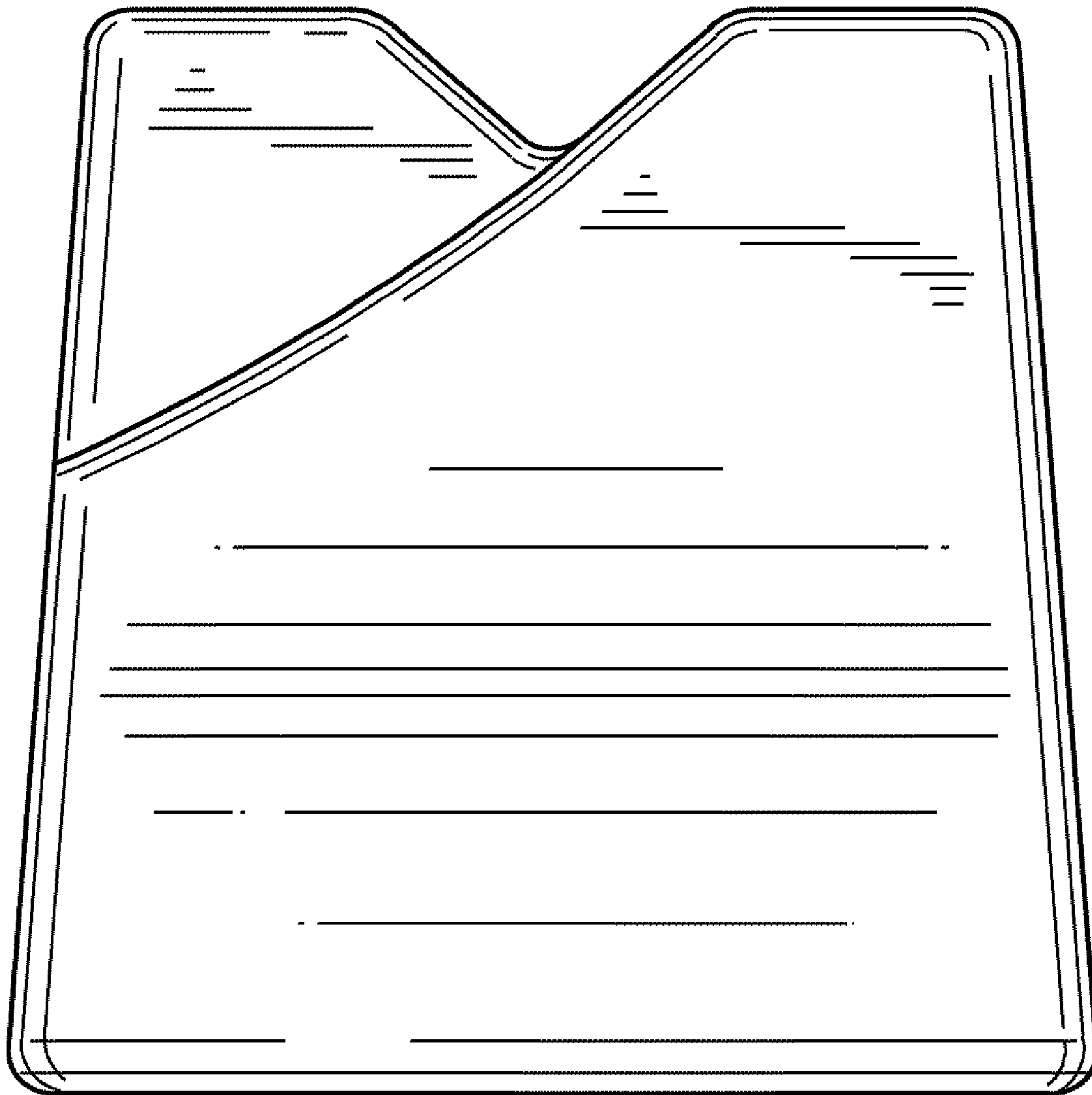


FIG. 2

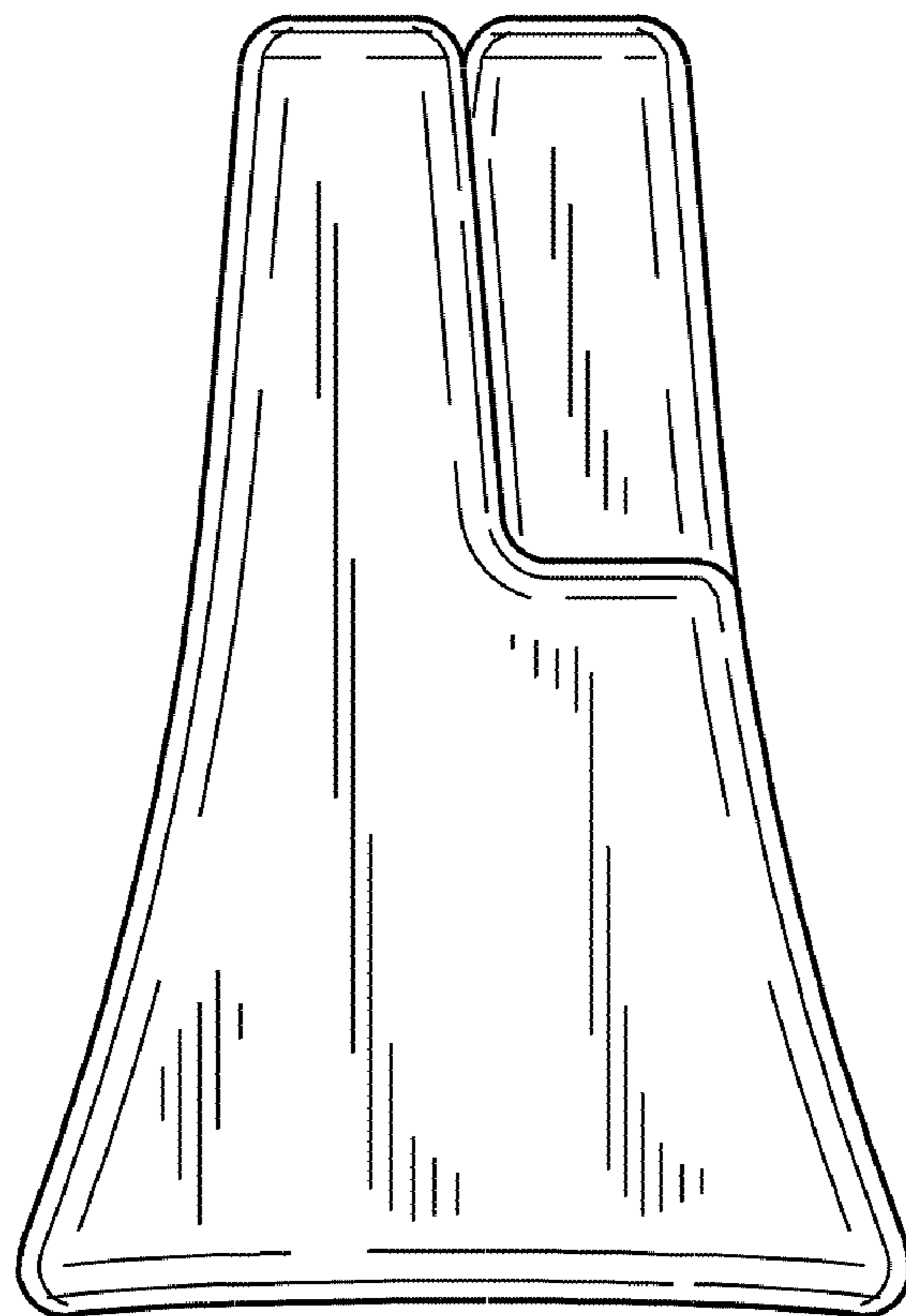


FIG. 3

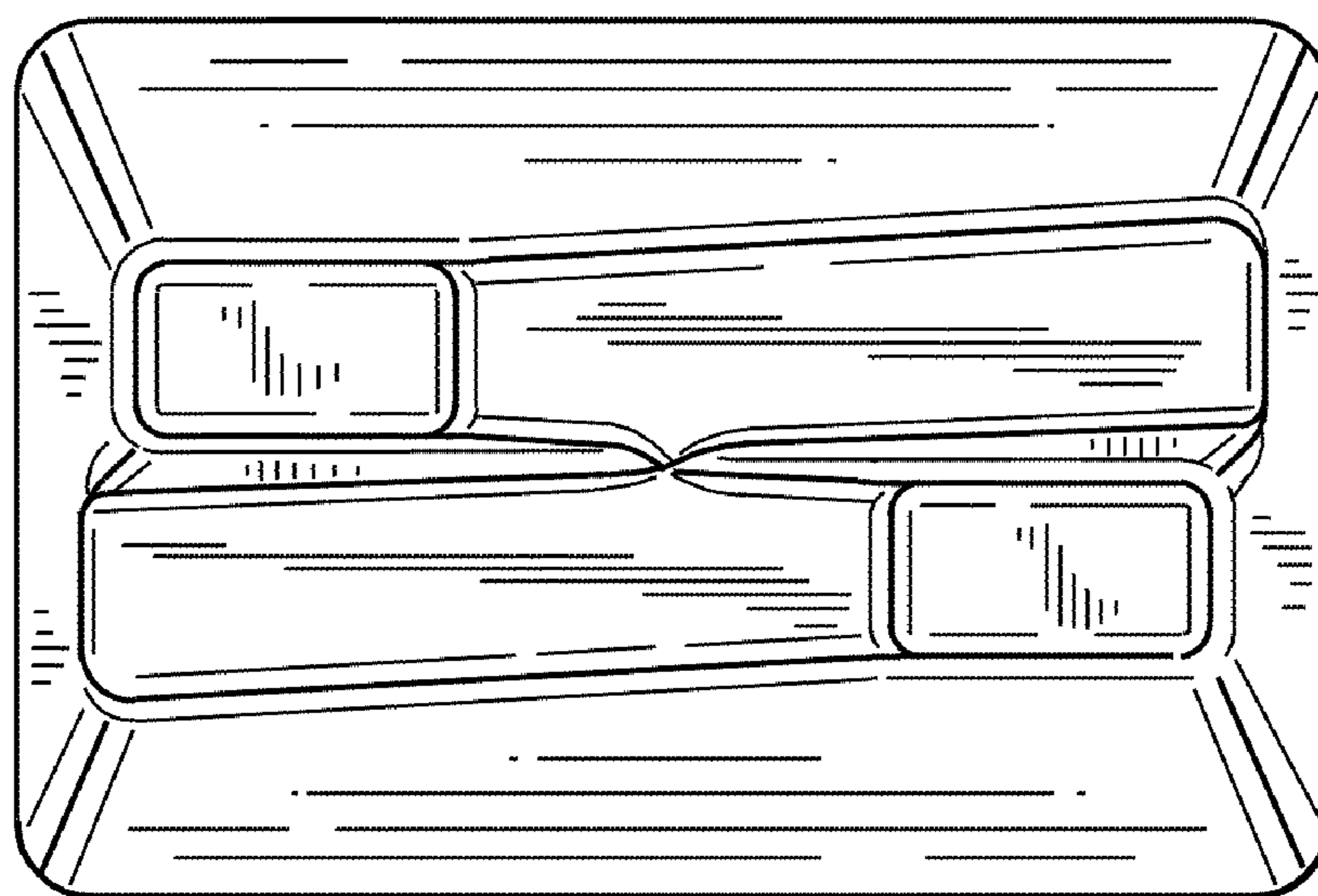


FIG. 4

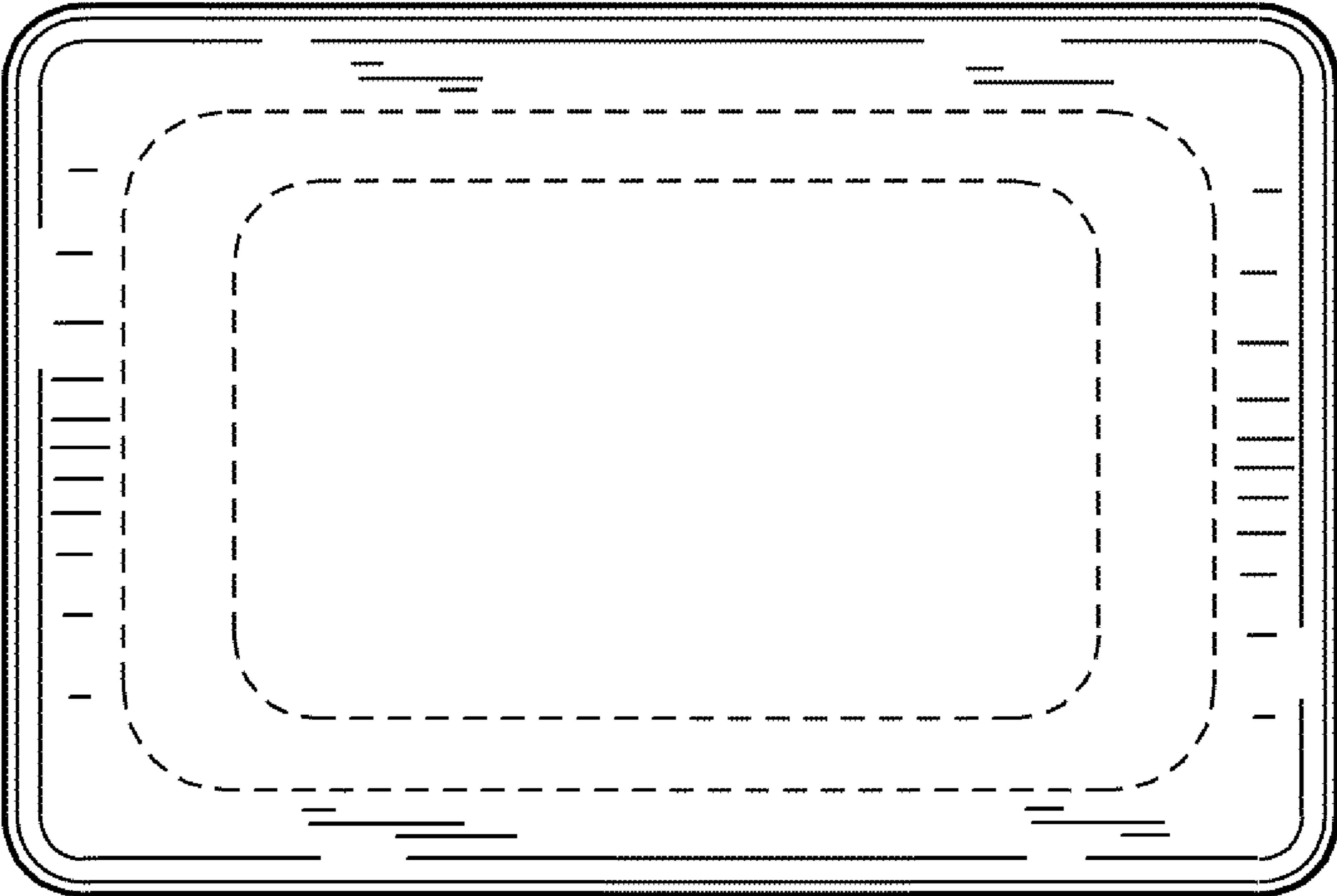


FIG. 5