



US00D617349S

(12) **United States Design Patent**  
**Chu**

(10) **Patent No.:** **US D617,349 S**

(45) **Date of Patent:** **\*\* Jun. 8, 2010**

(54) **CAP FOR AIR COMPRESSOR**

D603,874 S \* 11/2009 Chu ..... D15/9  
D603,875 S \* 11/2009 Chu ..... D15/9

(76) Inventor: **Henry C. Chu**, 133N. Lemon St.,  
Orange, CA (US) 92866

\* cited by examiner

(\*\*) Term: **14 Years**

*Primary Examiner*—Ralf Seifert  
(74) *Attorney, Agent, or Firm*—Charles E. Baxley

(21) Appl. No.: **29/348,226**

(57) **CLAIM**

(22) Filed: **Dec. 10, 2009**

The ornamental design for a cap for air compressor, as shown and described.

(51) **LOC (9) Cl.** ..... **15-02**

(52) **U.S. Cl.** ..... **D15/9**

(58) **Field of Classification Search** ..... D15/7-9;  
D23/231, 232, 225; 417/410.1, 359, 415-416,  
417/234, 321, 265, 405

**DESCRIPTION**

See application file for complete search history.

FIG. 1 is a front perspective view of a cap for air compressor showing my new design;

FIG. 2 is a front elevational view thereof;

FIG. 3 is a rear elevational view thereof;

FIG. 4 is a top plan view thereof;

FIG. 5 is a bottom plan view thereof;

FIG. 6 is a left side elevational view thereof;

FIG. 7 is a right side elevational view thereof;

FIG. 8 is a rear perspective view thereof; and,

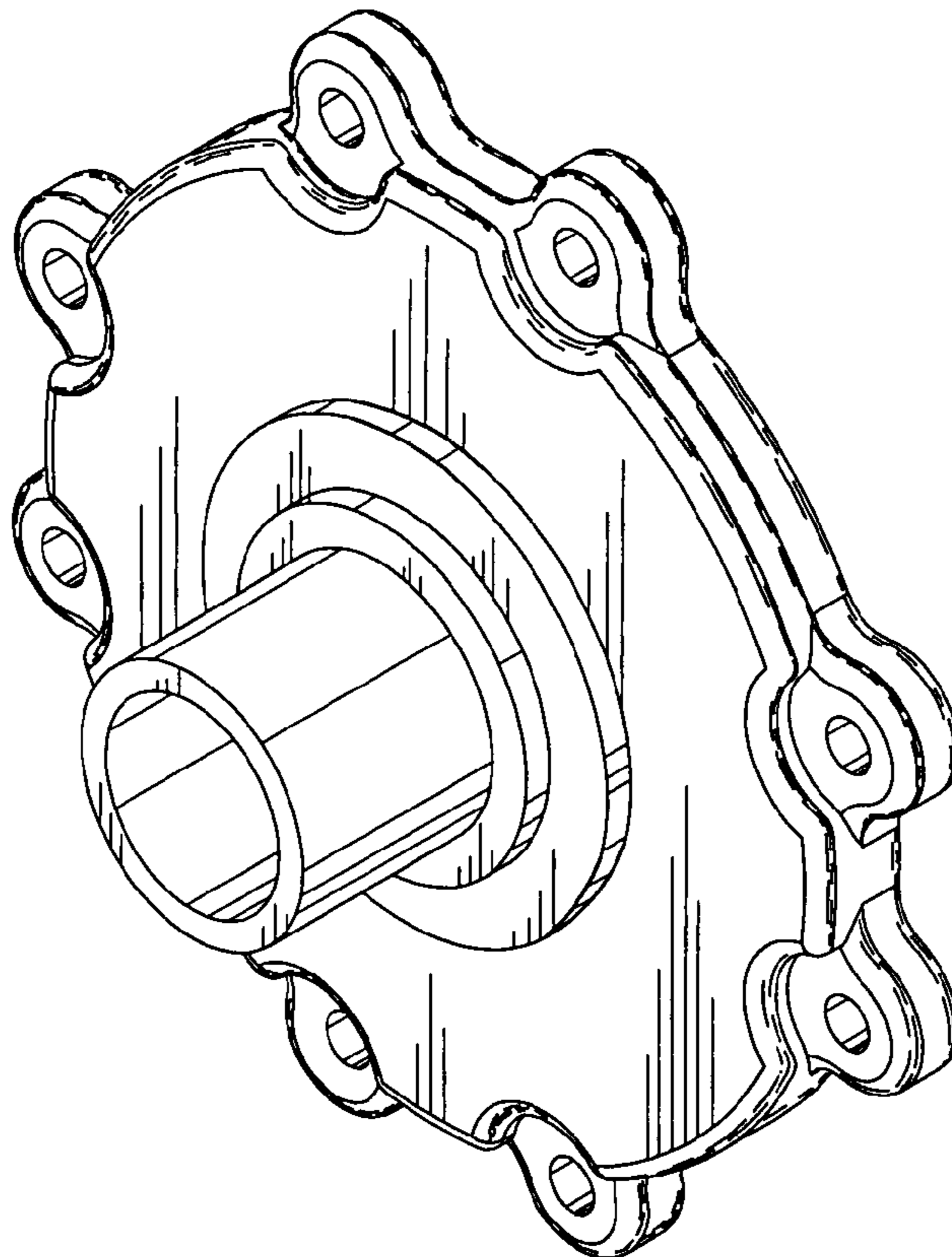
FIG. 9 is a front perspective view thereof, the bulges depicted by means of broken lines being for illustrative purposes only and forming no part of the claimed design.

(56) **References Cited**

**U.S. PATENT DOCUMENTS**

D555,174 S	*	11/2007	Hwang	.....	D15/9
D556,783 S	*	12/2007	Chu	.....	D15/9
D556,786 S	*	12/2007	Chu	.....	D15/9
D557,287 S	*	12/2007	Chu	.....	D15/9
D557,288 S	*	12/2007	Chu	.....	D15/9
D574,854 S	*	8/2008	Chu	.....	D15/9
D574,858 S	*	8/2008	Chu	.....	D15/9
D575,306 S	*	8/2008	Chu	.....	D15/9
D575,307 S	*	8/2008	Chu	.....	D15/9
D589,064 S	*	3/2009	Chu	.....	D15/9
D603,873 S	*	11/2009	Chu	.....	D15/9

**1 Claim, 5 Drawing Sheets**



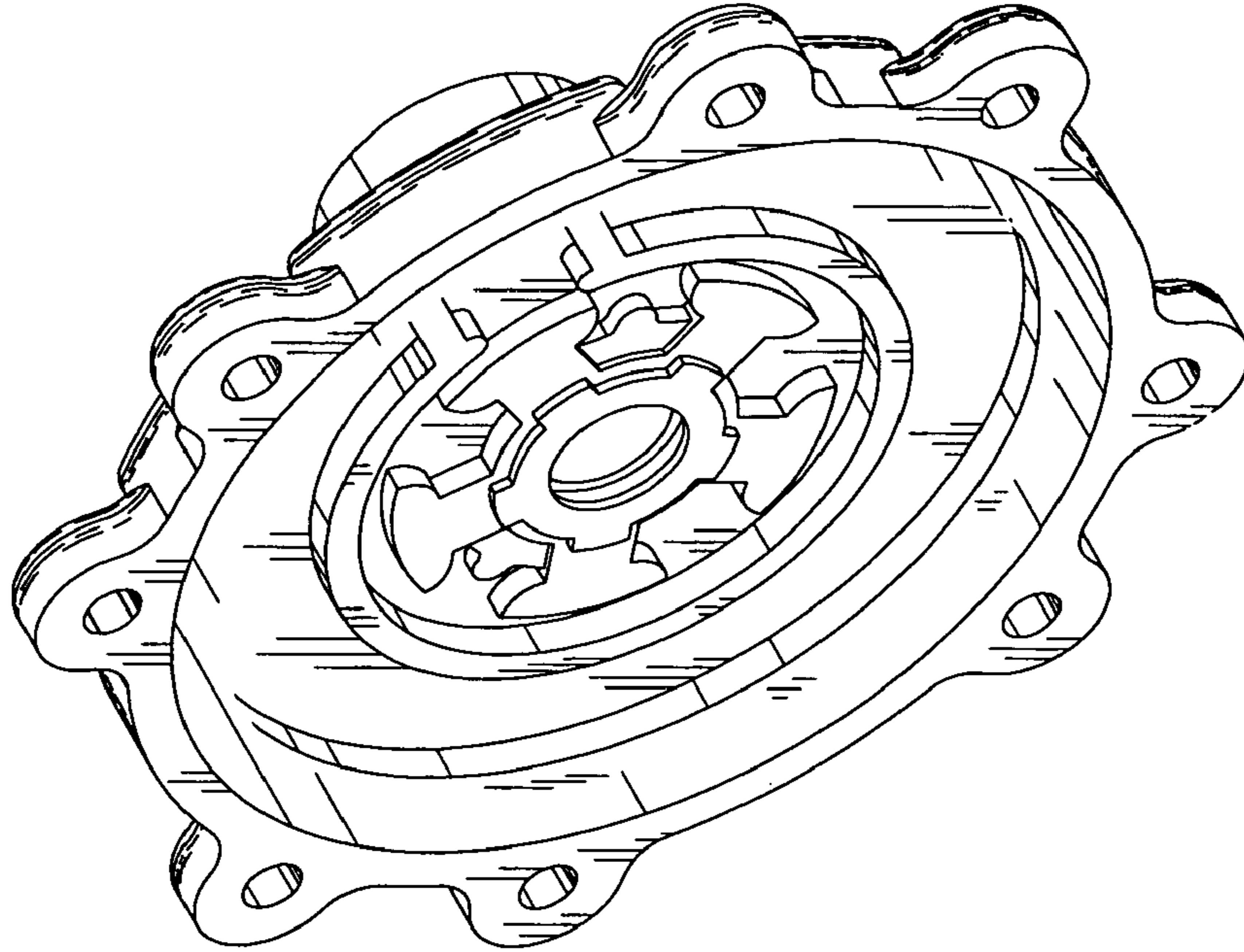


FIG. 8

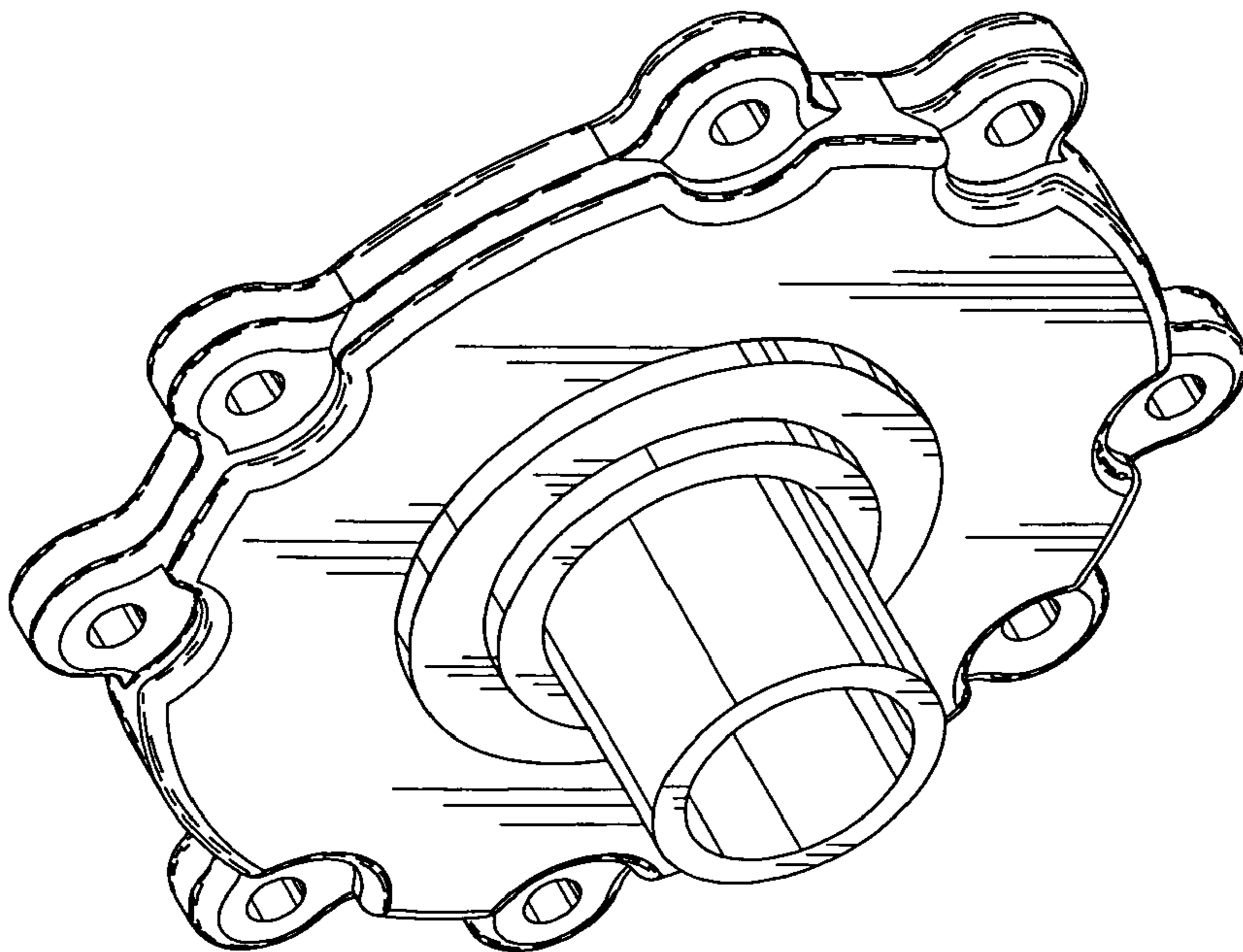


FIG. 1

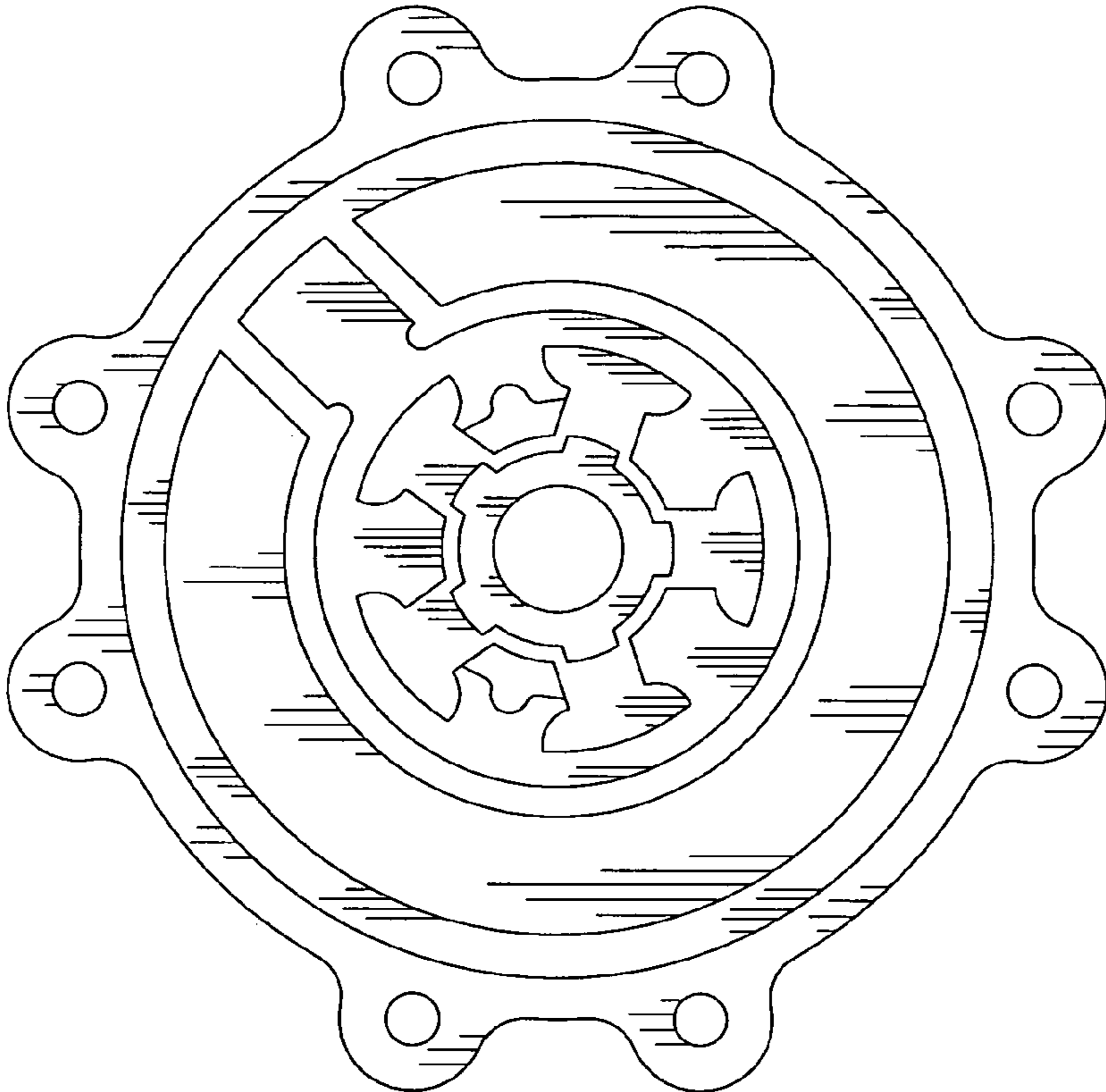


FIG. 3

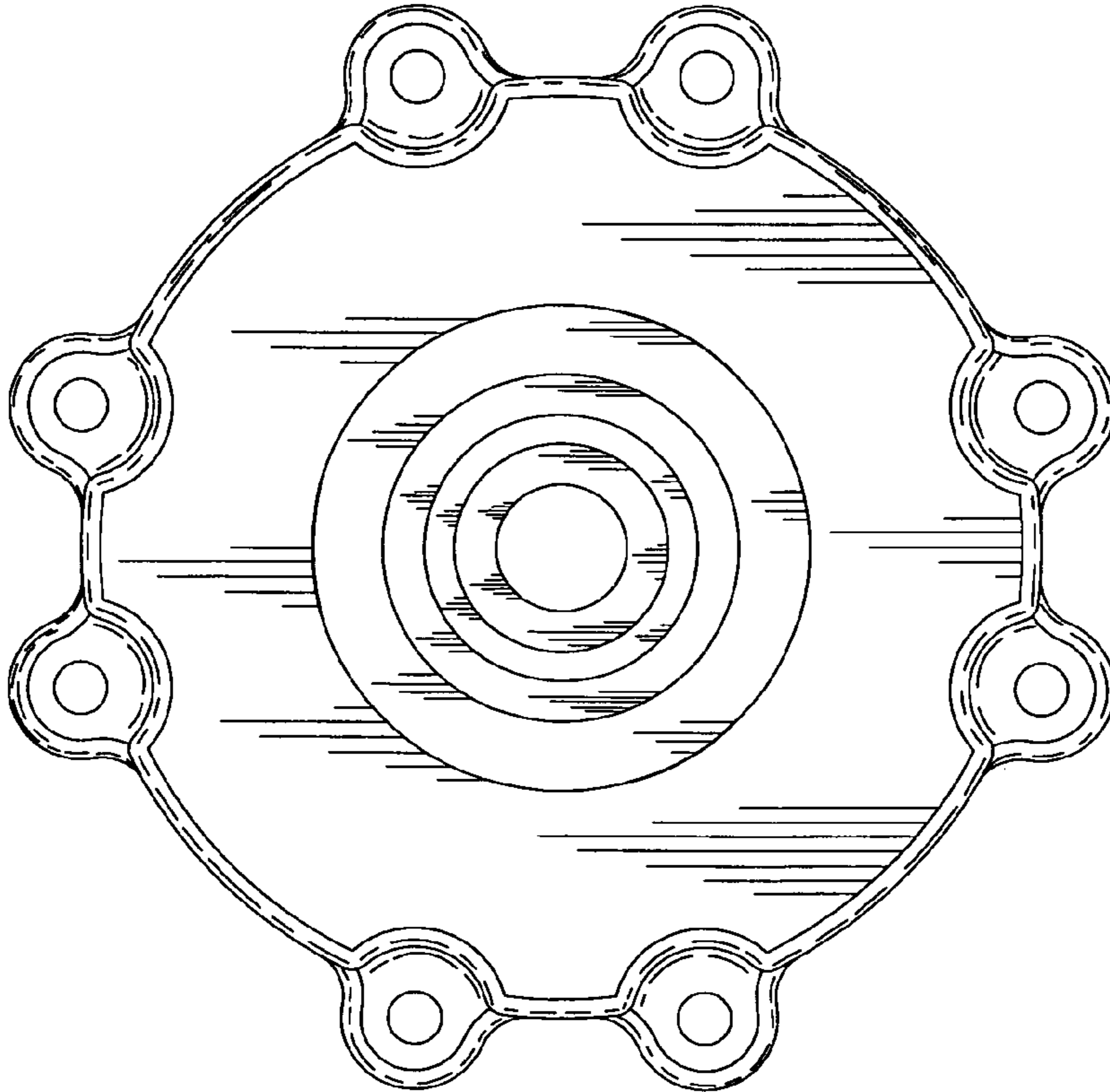


FIG. 2

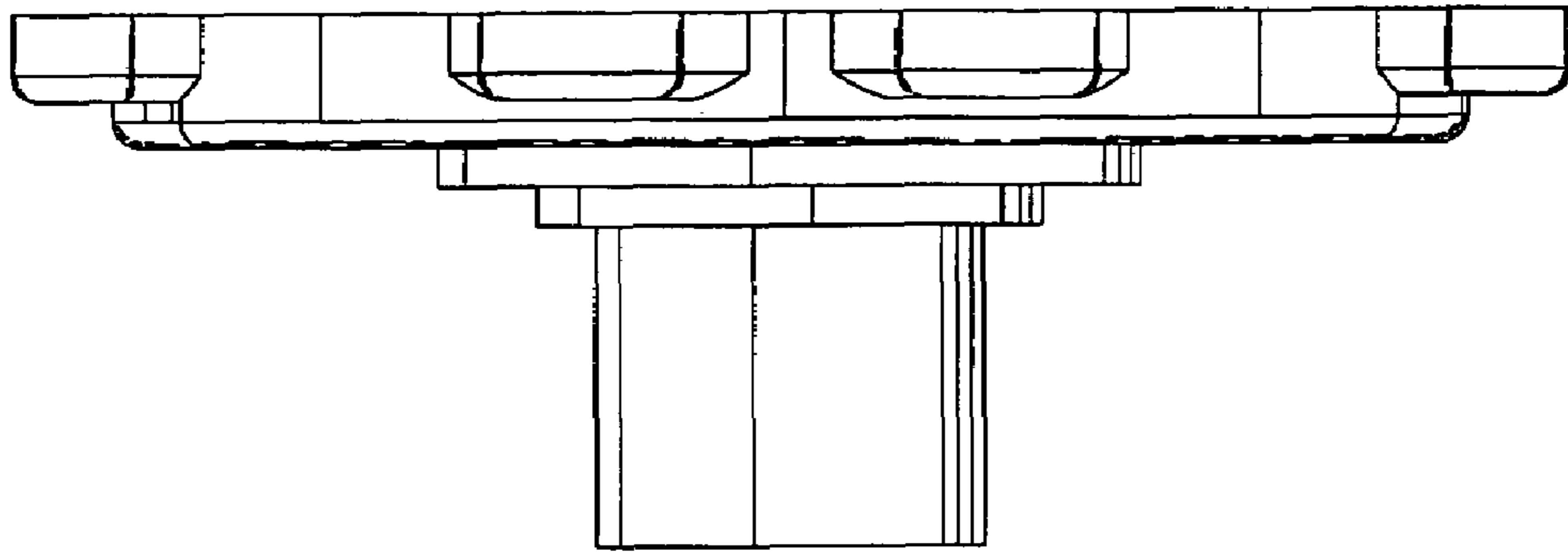


FIG. 4

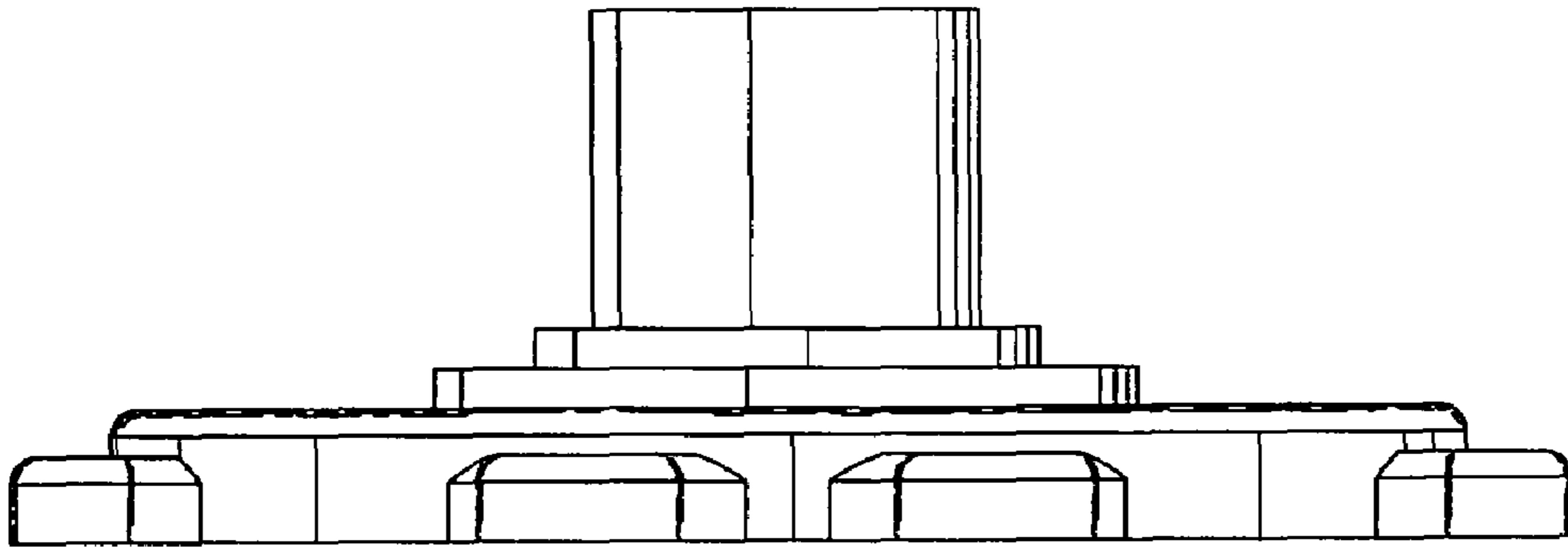


FIG. 5

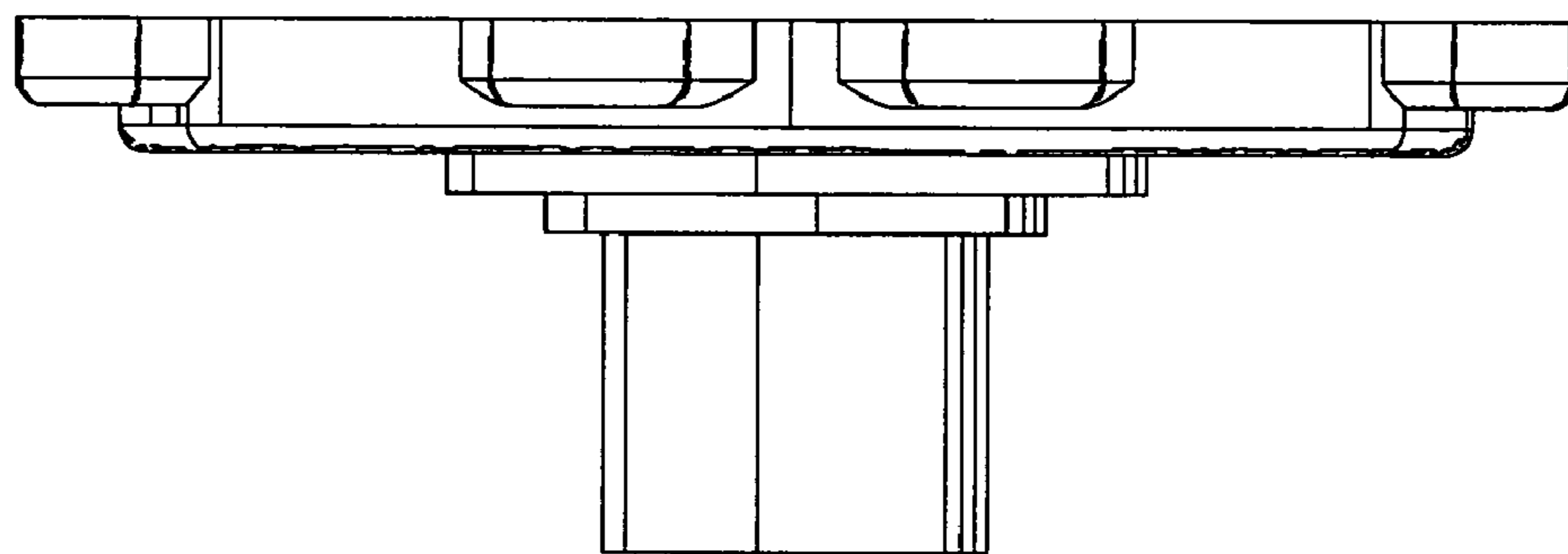


FIG. 6

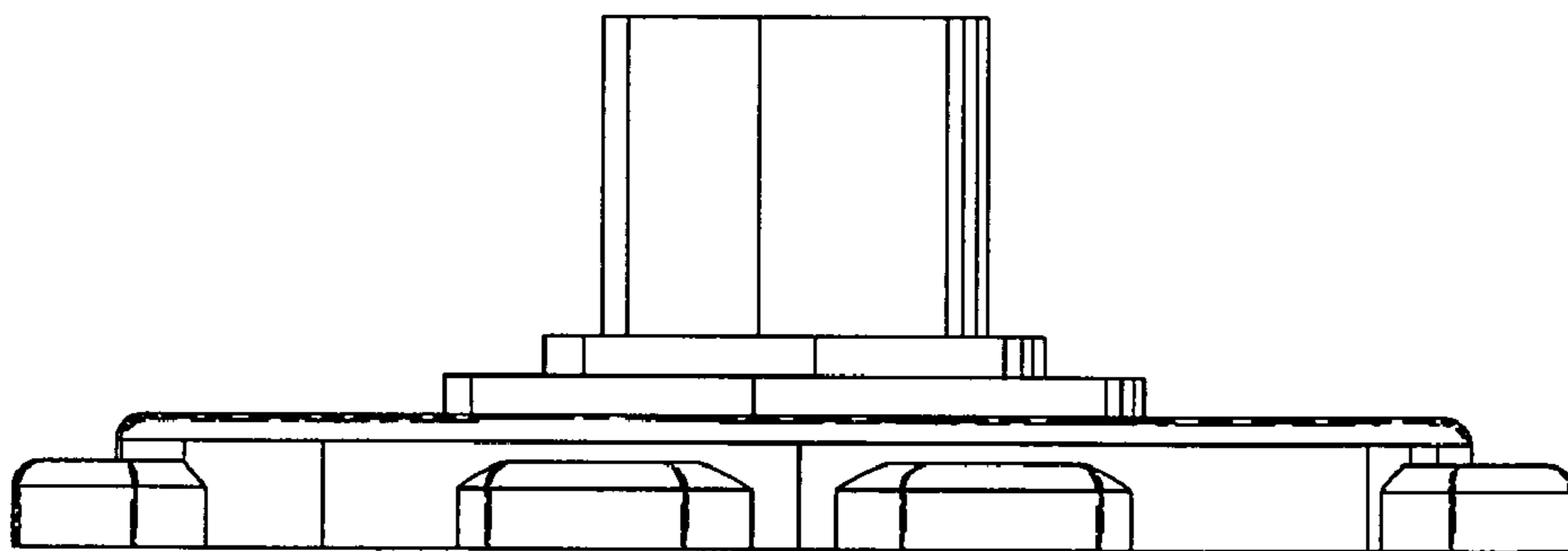


FIG. 7

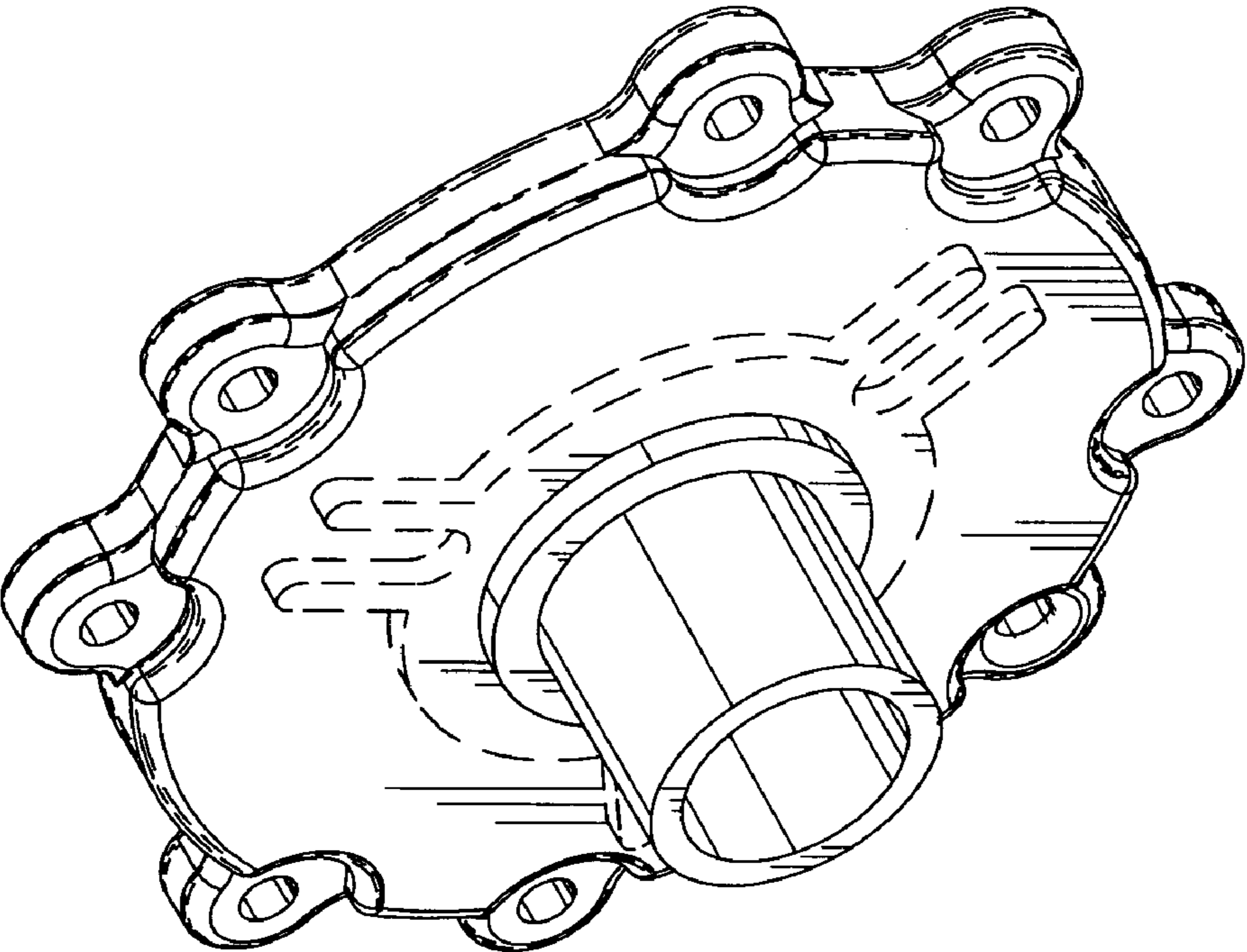


FIG. 9