



US00D617346S

(12) **United States Design Patent**
Chu

(10) **Patent No.:** **US D617,346 S**
(45) **Date of Patent:** **** Jun. 8, 2010**

(54) **AIR COMPRESSOR**

(74) *Attorney, Agent, or Firm*—Charles E. Baxley

(76) **Inventor:** **Henry C. Chu**, 133 N. Lemon St.,
Orange, CA (US) 92866

(57) **CLAIM**

The ornamental design for an air compressor, as shown and described.

(**) **Term:** **14 Years**

(21) **Appl. No.:** **29/315,168**

DESCRIPTION

(22) **Filed:** **Jun. 2, 2009**

(51) **LOC (9) Cl.** **15-02**

(52) **U.S. Cl.** **D15/9**

(58) **Field of Classification Search** D15/7-9;
D23/231, 232, 225; 417/410.1, 359, 415-416,
417/234, 321, 265, 405

FIG. 1 is a front perspective view of an air compressor showing my new design;

FIG. 2 is a front elevational view thereof;

FIG. 3 is a rear elevational view thereof;

FIG. 4 is a top plan view thereof;

FIG. 5 is a bottom plan view thereof;

FIG. 6 is a left side elevational view thereof;

FIG. 7 is a right side elevational view thereof;

FIG. 8 is a rear perspective view thereof; and,

FIG. 9 is a rear perspective view thereof, the clutch device and the cavities depicted by means of broken lines being for illustrative purposes only and forming no part of the claimed design.

See application file for complete search history.

(56) **References Cited**

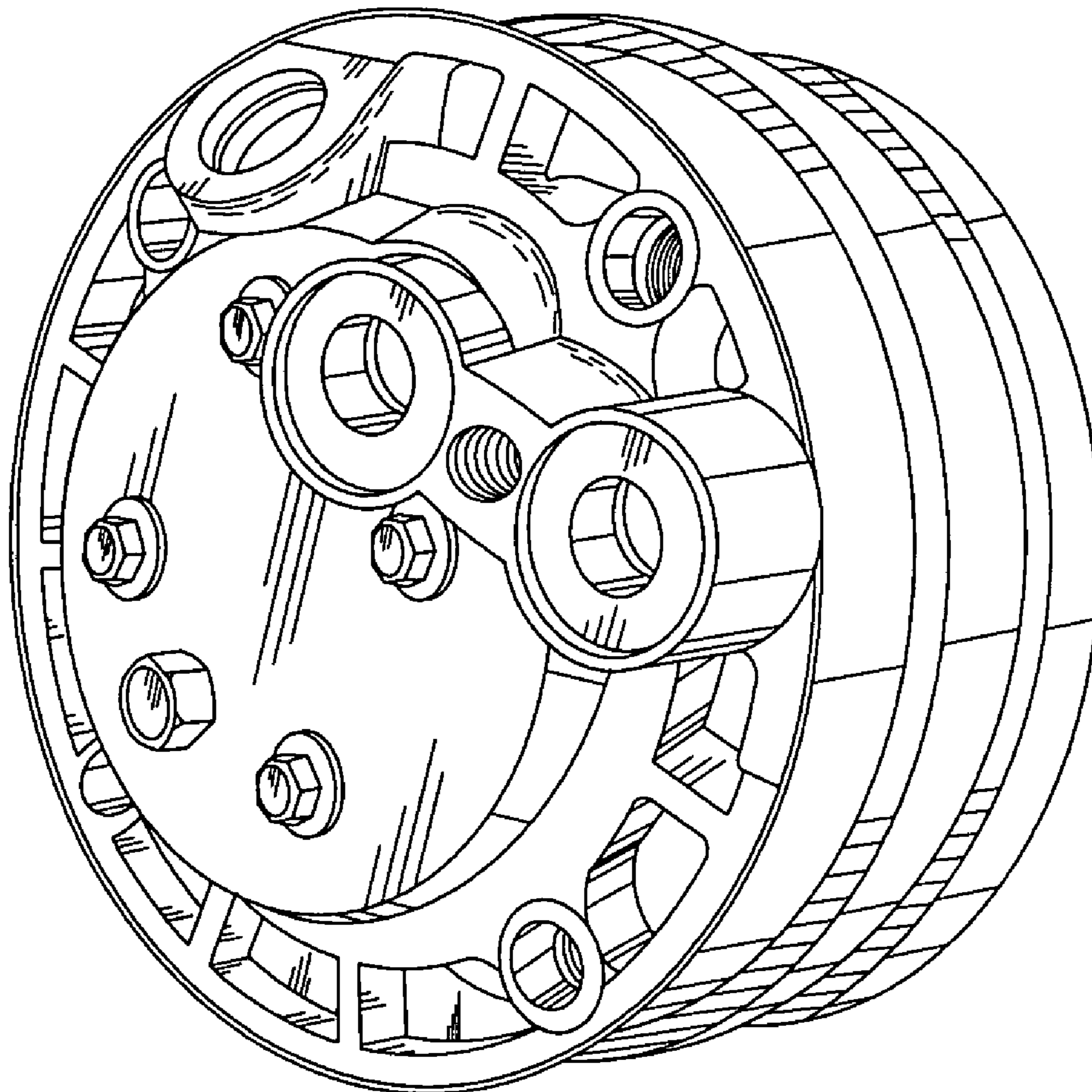
U.S. PATENT DOCUMENTS

D408,420 S * 4/1999 Buter D15/7
D441,767 S * 5/2001 Wolbers D15/7

* cited by examiner

Primary Examiner—Ralf Seifert

1 Claim, 5 Drawing Sheets



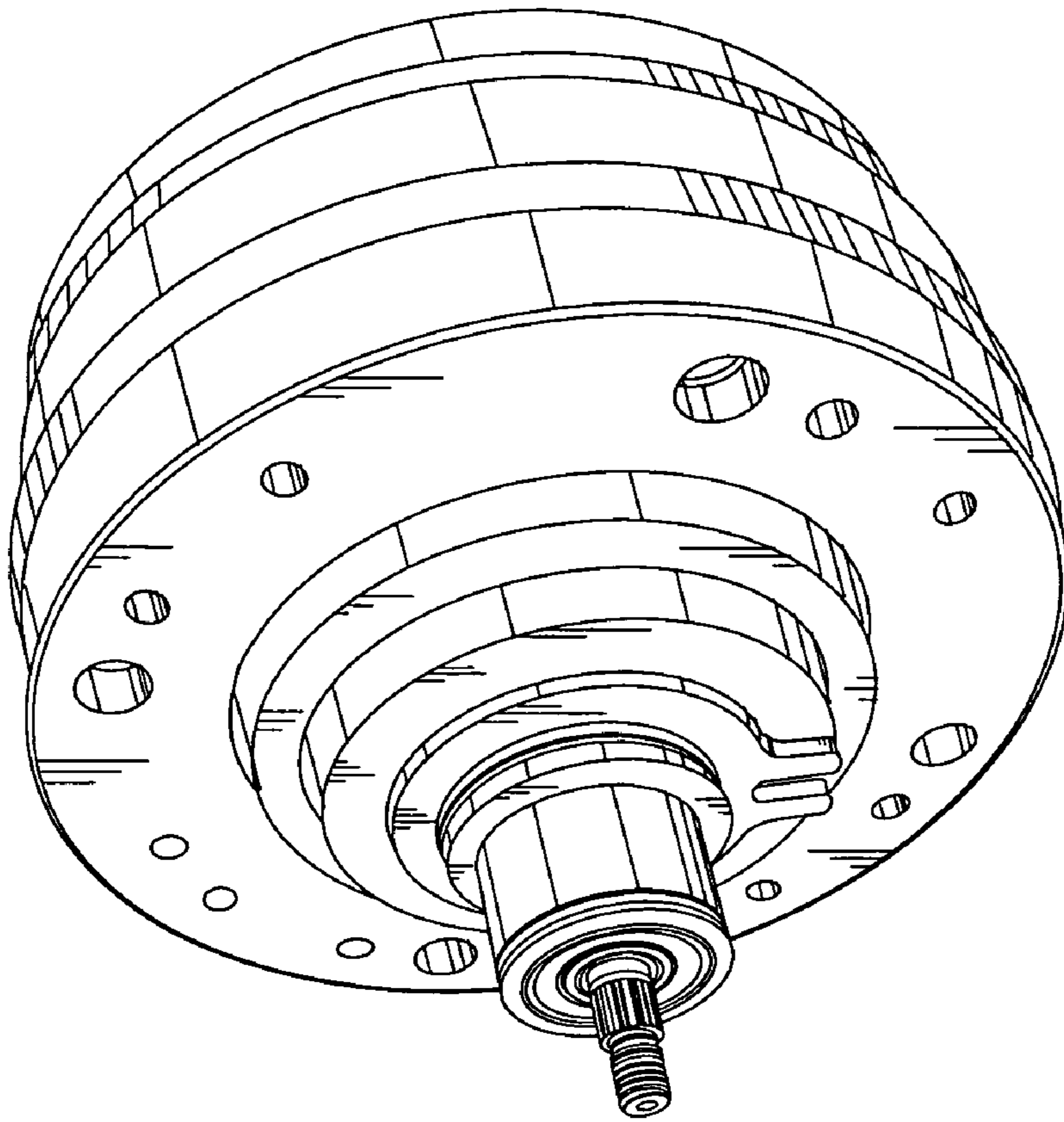


FIG. 8

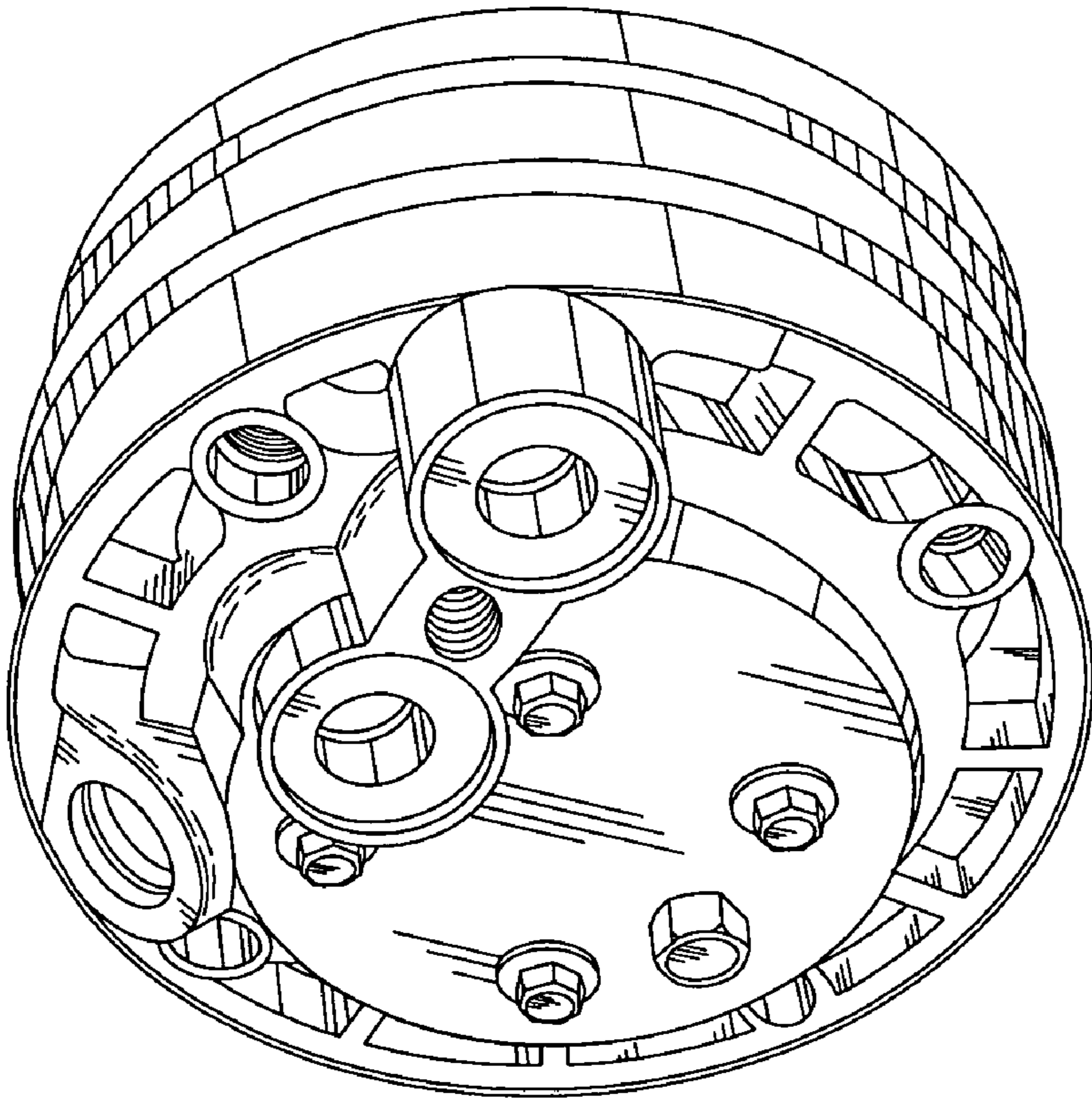


FIG. 1

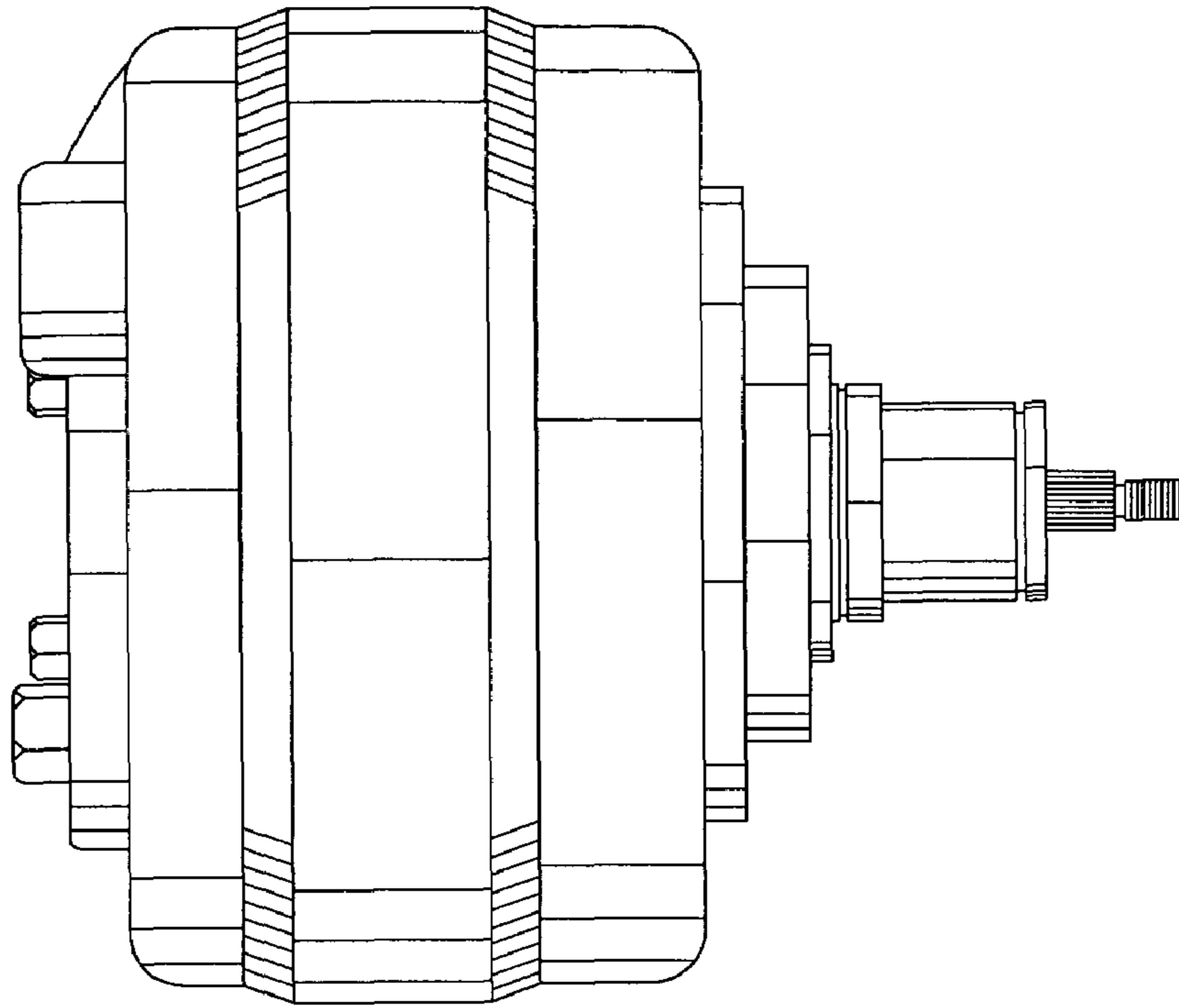


FIG. 2

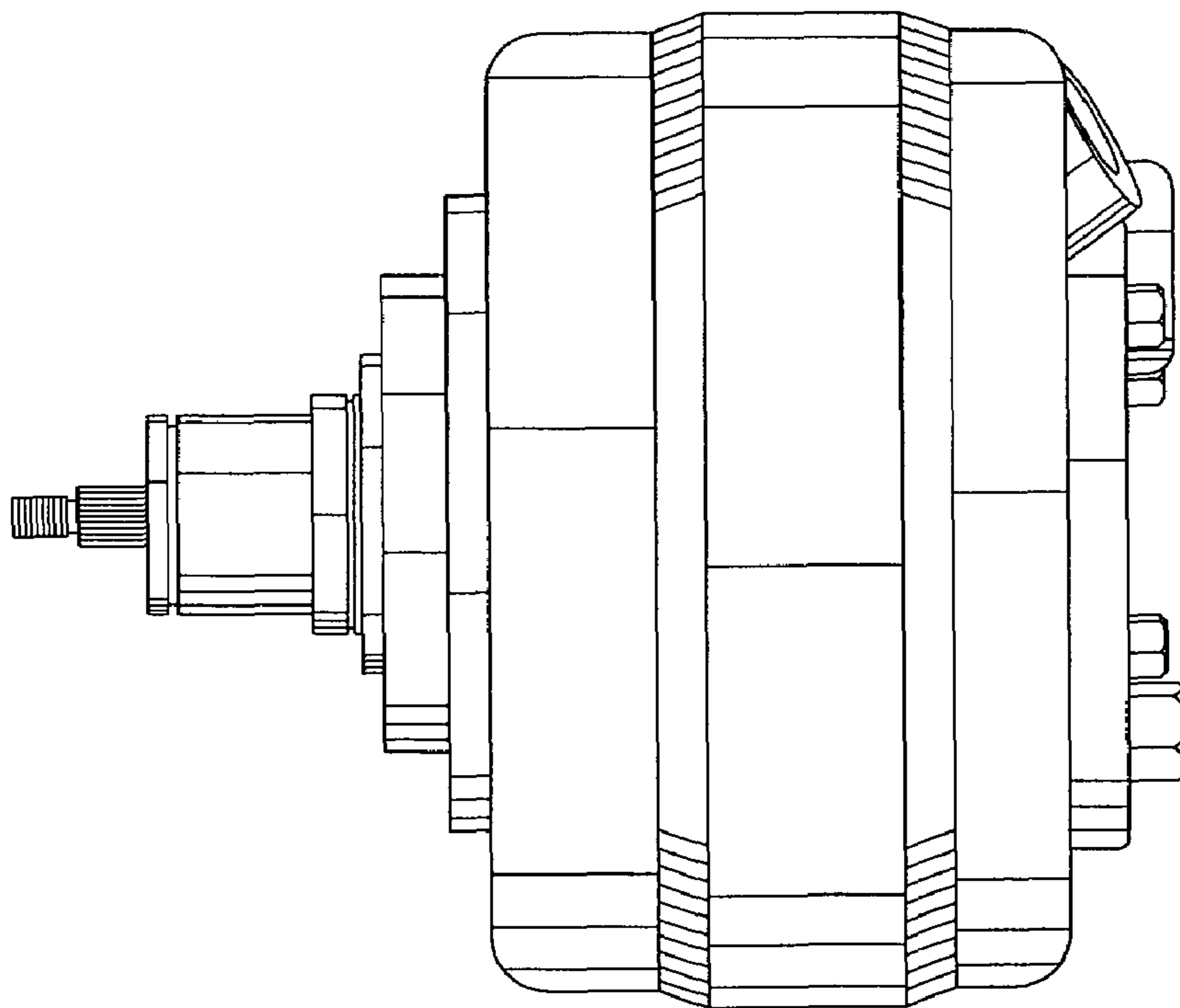


FIG. 3

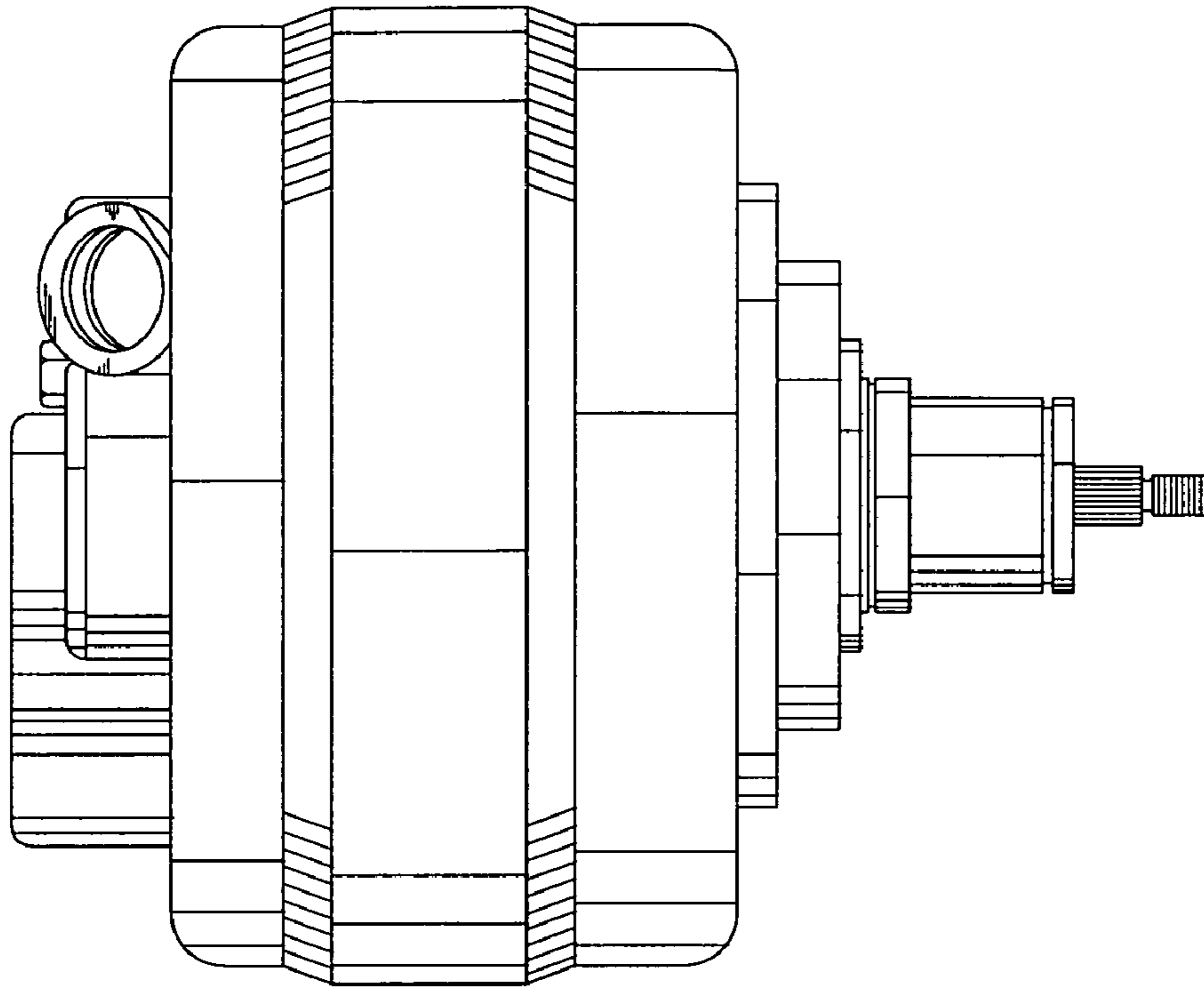


FIG. 4

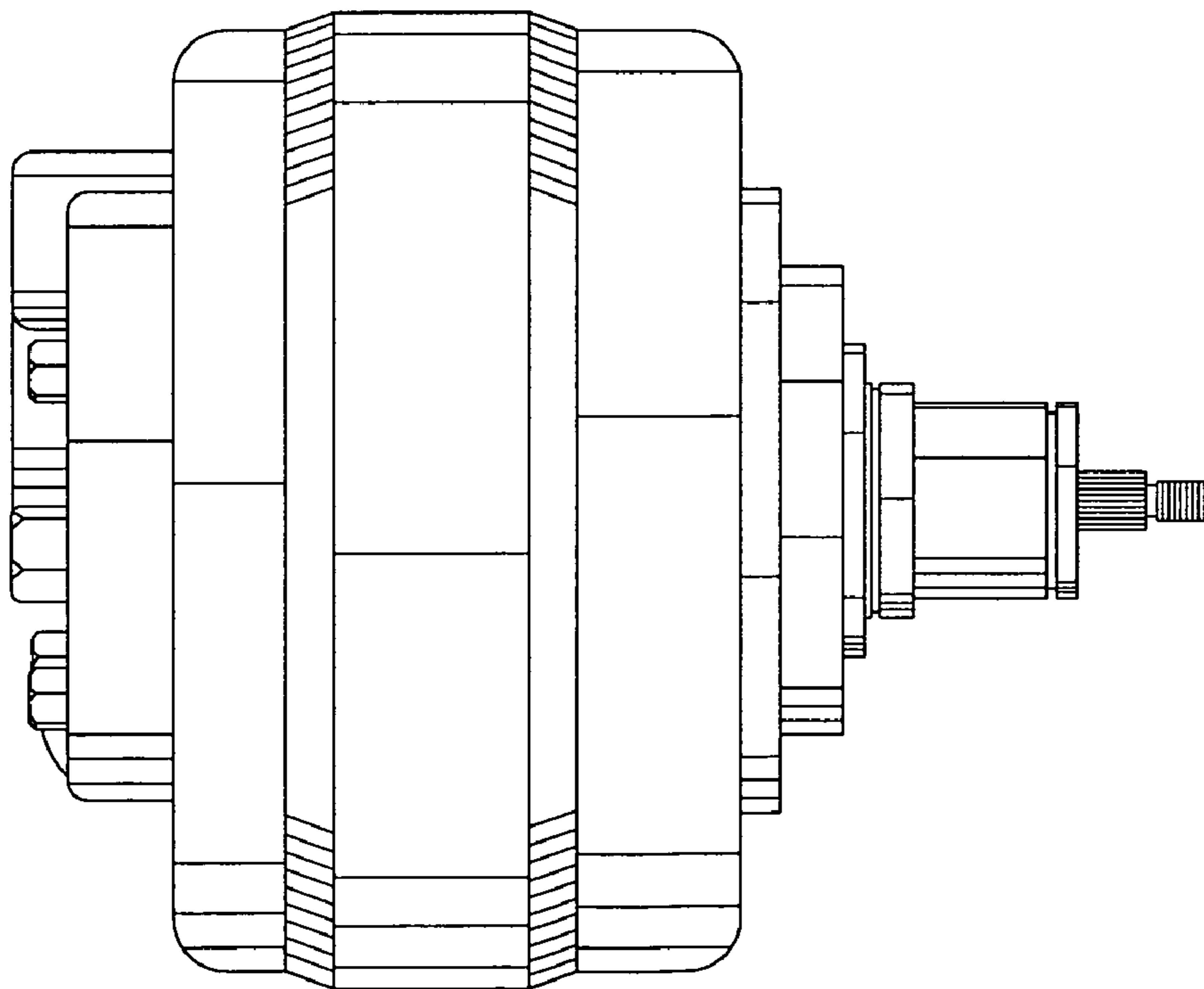


FIG. 5

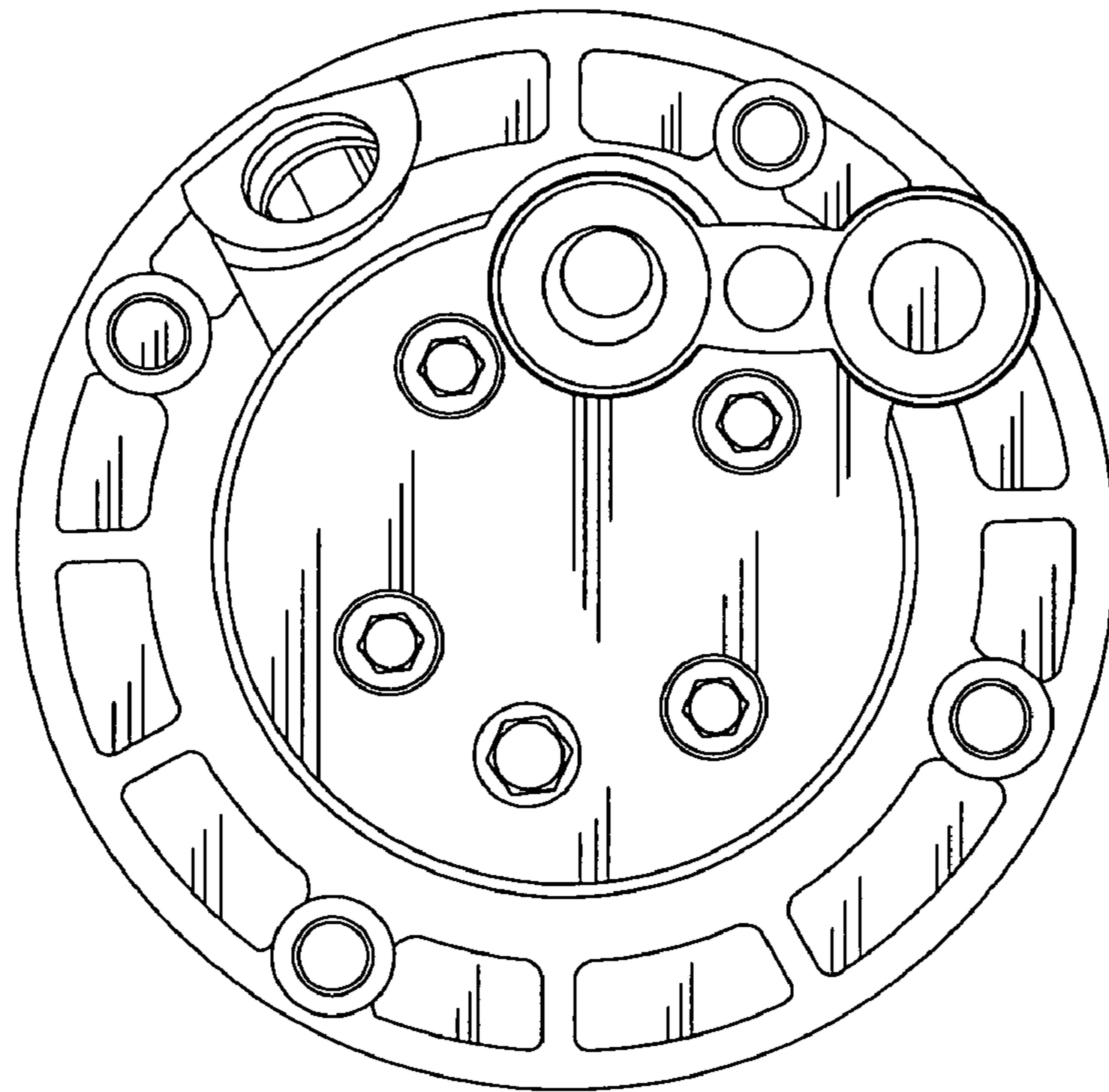


FIG. 6

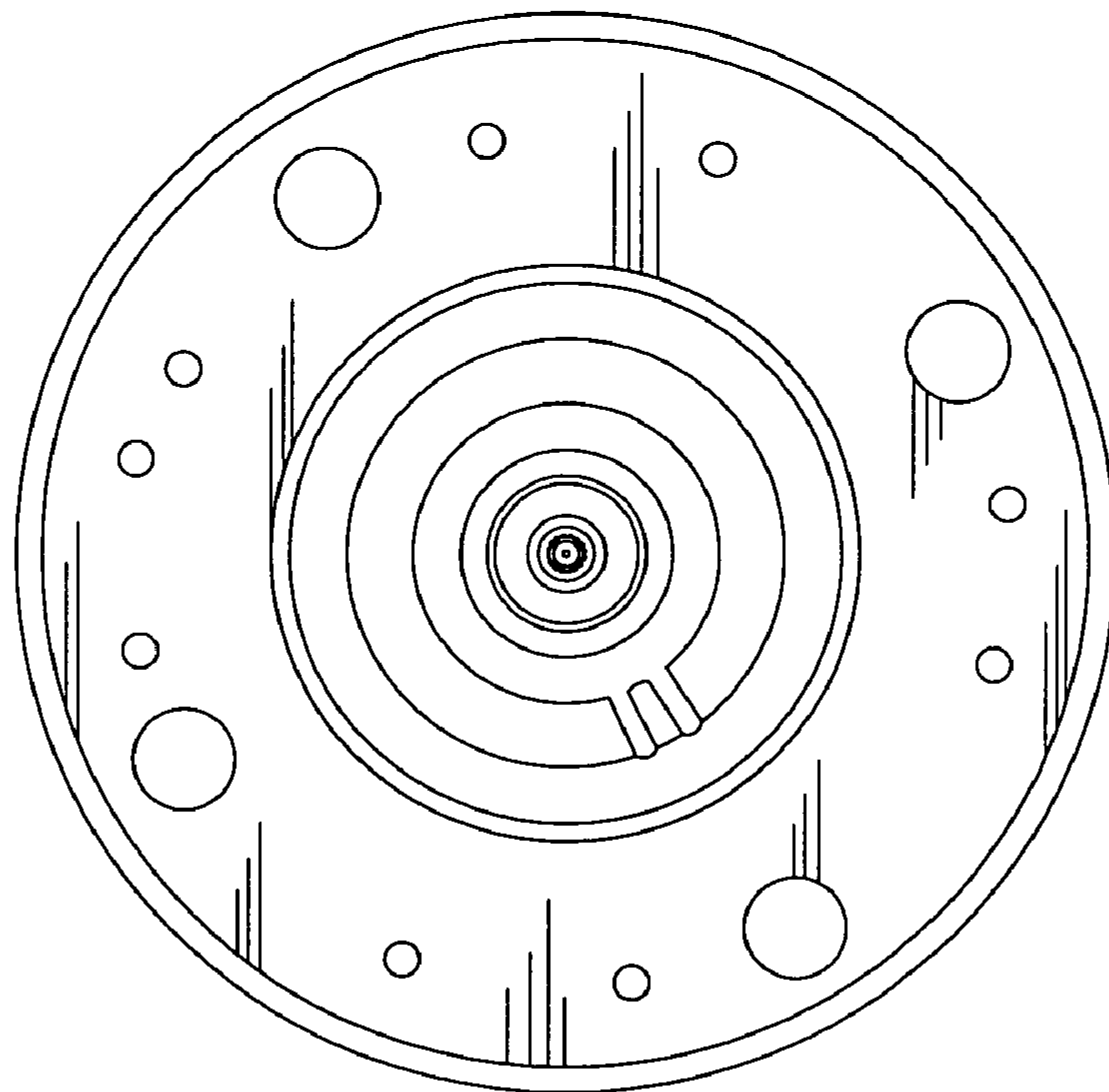


FIG. 7

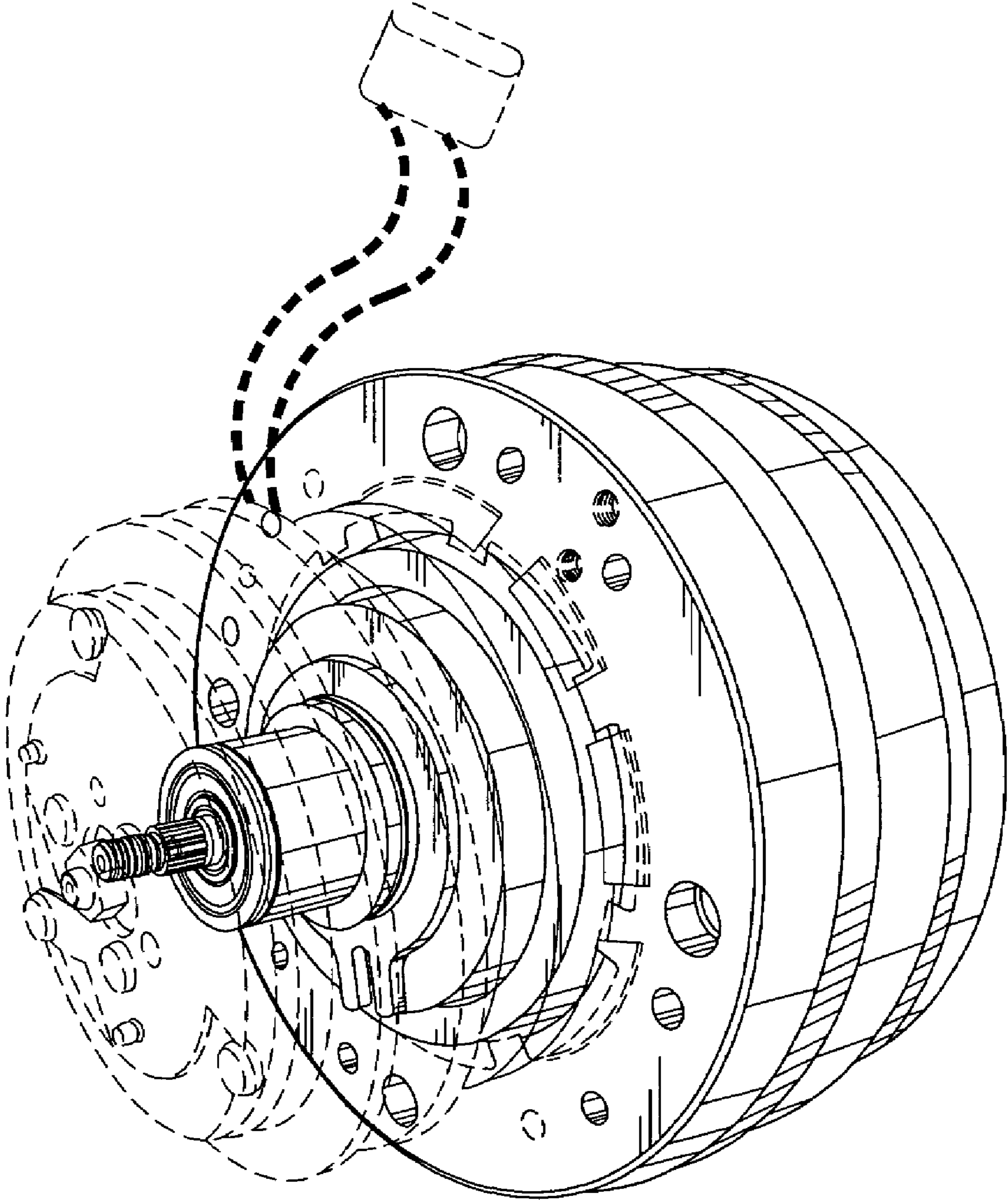


FIG. 9