



US00D617343S

(12) **United States Design Patent**  
**Nam et al.**

(10) **Patent No.:** **US D617,343 S**  
(45) **Date of Patent:** **\*\* Jun. 8, 2010**

(54) **BLU-RAY PLAYER**

D555,632 S \* 11/2007 Iikura ..... D14/499  
D576,979 S \* 9/2008 Yagihashi ..... D14/506

(75) Inventors: **Bo Hyun Nam**, Seoul (KR); **Sung Joo Cho**, Seoul (KR)

\* cited by examiner

(73) Assignee: **LG Electronics Inc.**, Seoul (KR)

*Primary Examiner*—Nanda Bondade  
(74) *Attorney, Agent, or Firm*—Birch, Stewart, Kolasch & Birch, LLP

(\*\*) Term: **14 Years**

(21) Appl. No.: **29/336,759**

(57) **CLAIM**

(22) Filed: **May 8, 2009**

The ornamental design for a blu-ray player, as shown and described.

(30) **Foreign Application Priority Data**

Nov. 11, 2008 (KR) ..... 30-2008-0048723

**DESCRIPTION**

(51) **LOC (9) Cl.** ..... **14-01**

(52) **U.S. Cl.** ..... **D14/510**

(58) **Field of Classification Search** ..... D14/496,  
D14/498-511, 167-168, 188, 197-198; 360/99.02,  
360/99.07; 369/75.11, 75.21, 77.11, 77.21;  
720/601, 612, 619, 649, 655; 455/344, 347-351  
See application file for complete search history.

FIG. 1 is a top, front, perspective view of a blu-ray player showing our new design;  
FIG. 2 is a front view thereof;  
FIG. 3 is a rear view thereof;  
FIG. 4 is a left side view thereof;  
FIG. 5 is a right side view thereof;  
FIG. 6 is a top plan view thereof; and,  
FIG. 7 is a bottom plan view thereof.

(56) **References Cited**

**U.S. PATENT DOCUMENTS**

D552,053 S \* 10/2007 Kim ..... D14/499

**1 Claim, 3 Drawing Sheets**

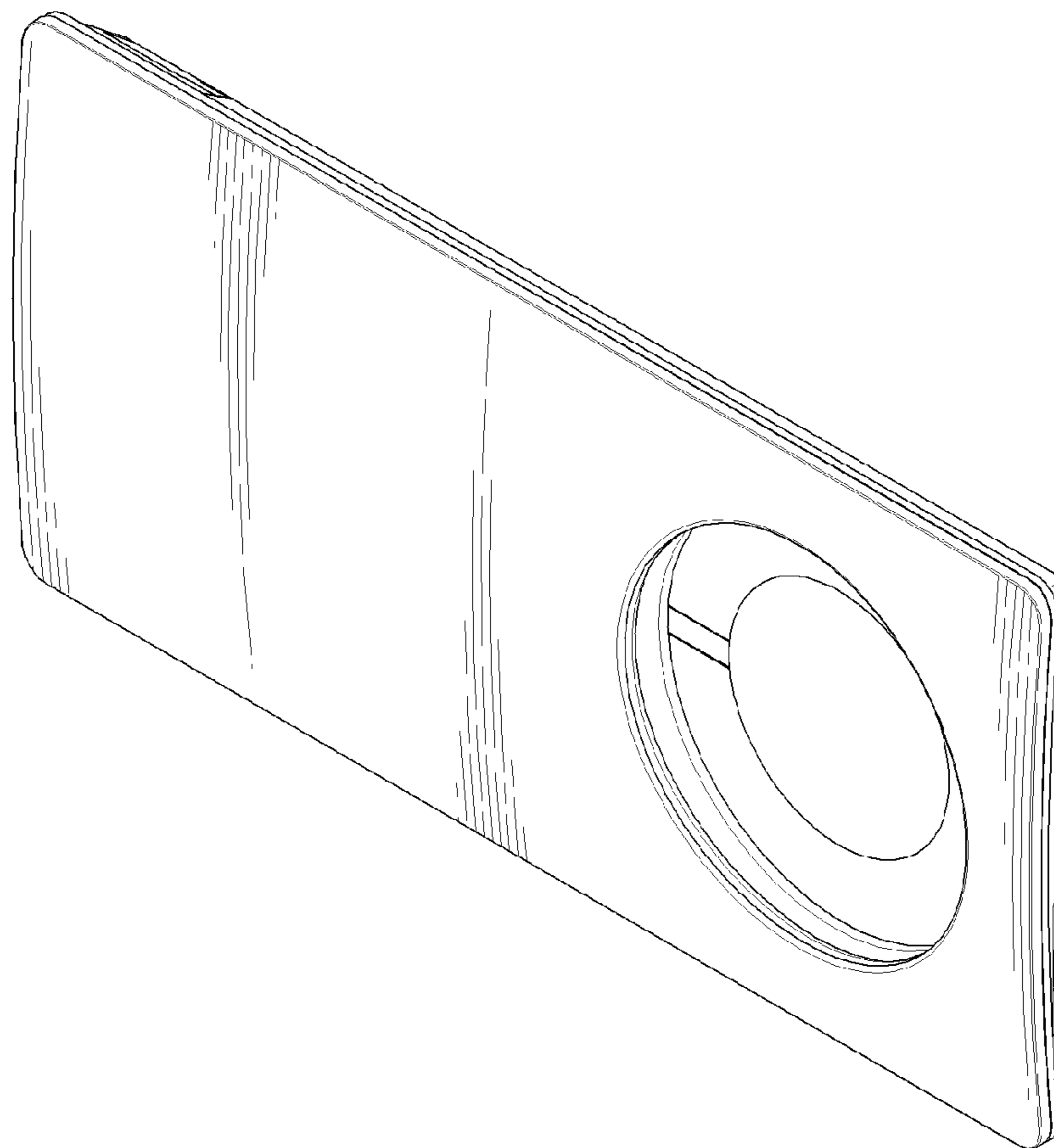


FIG. 1

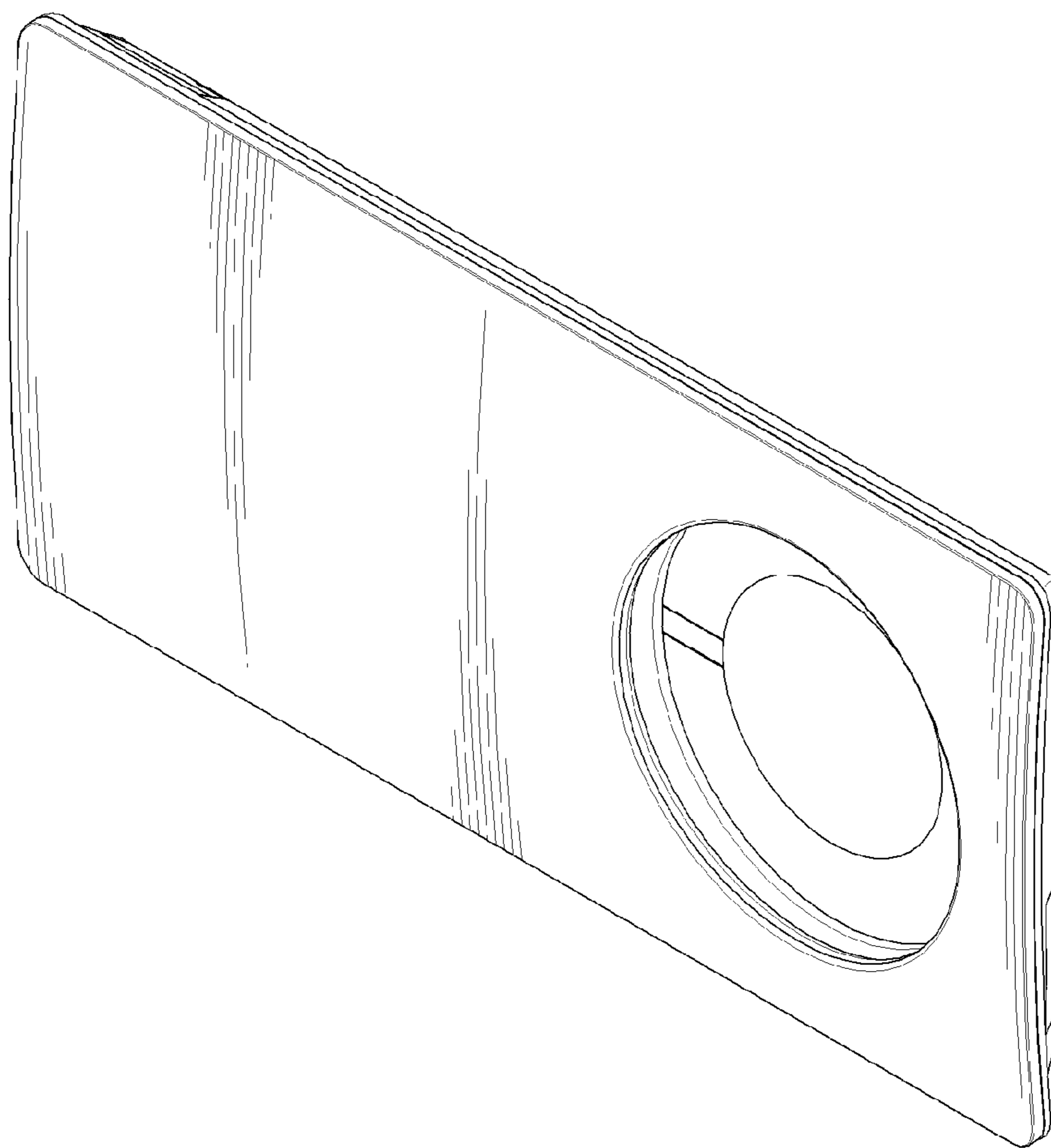


FIG. 2

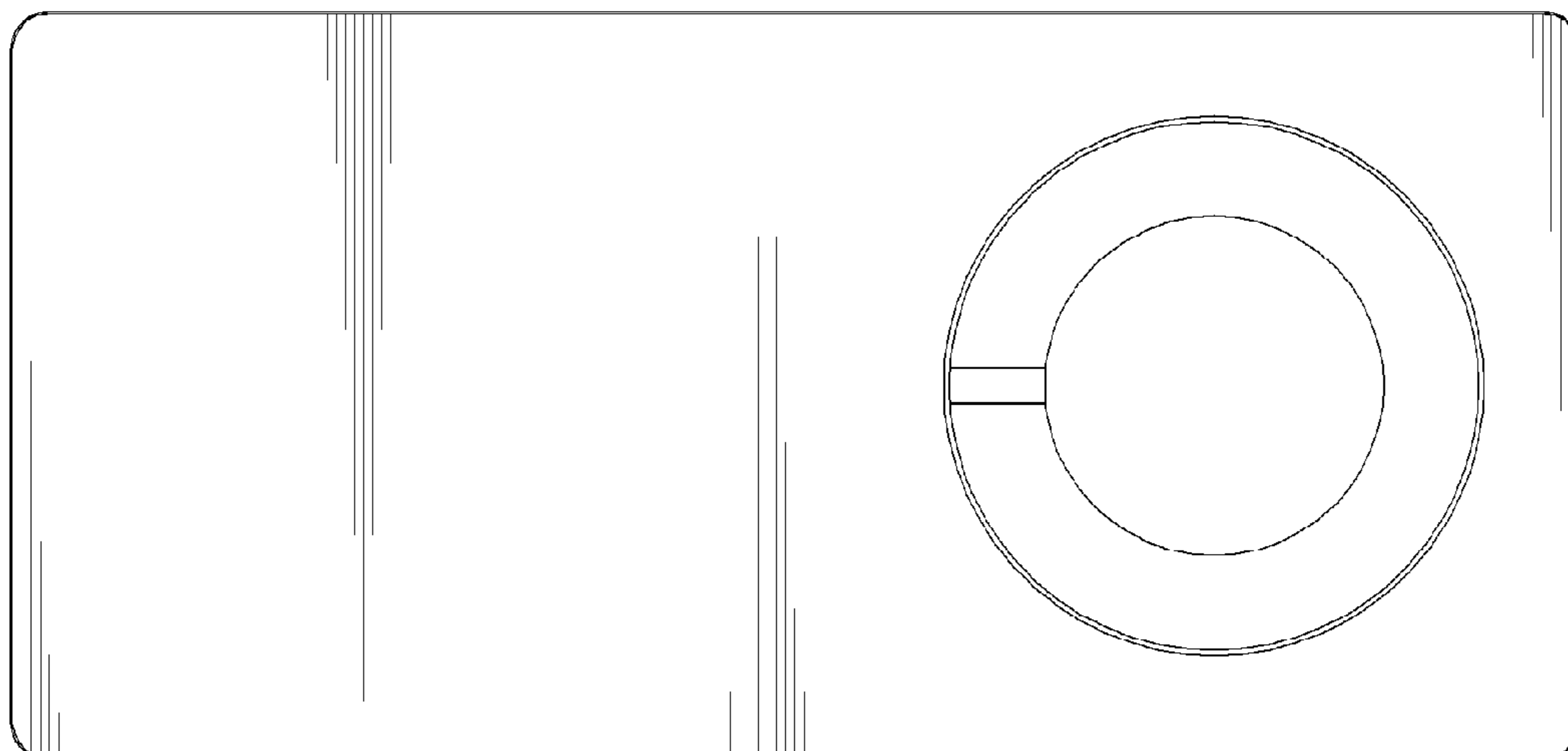


FIG. 3

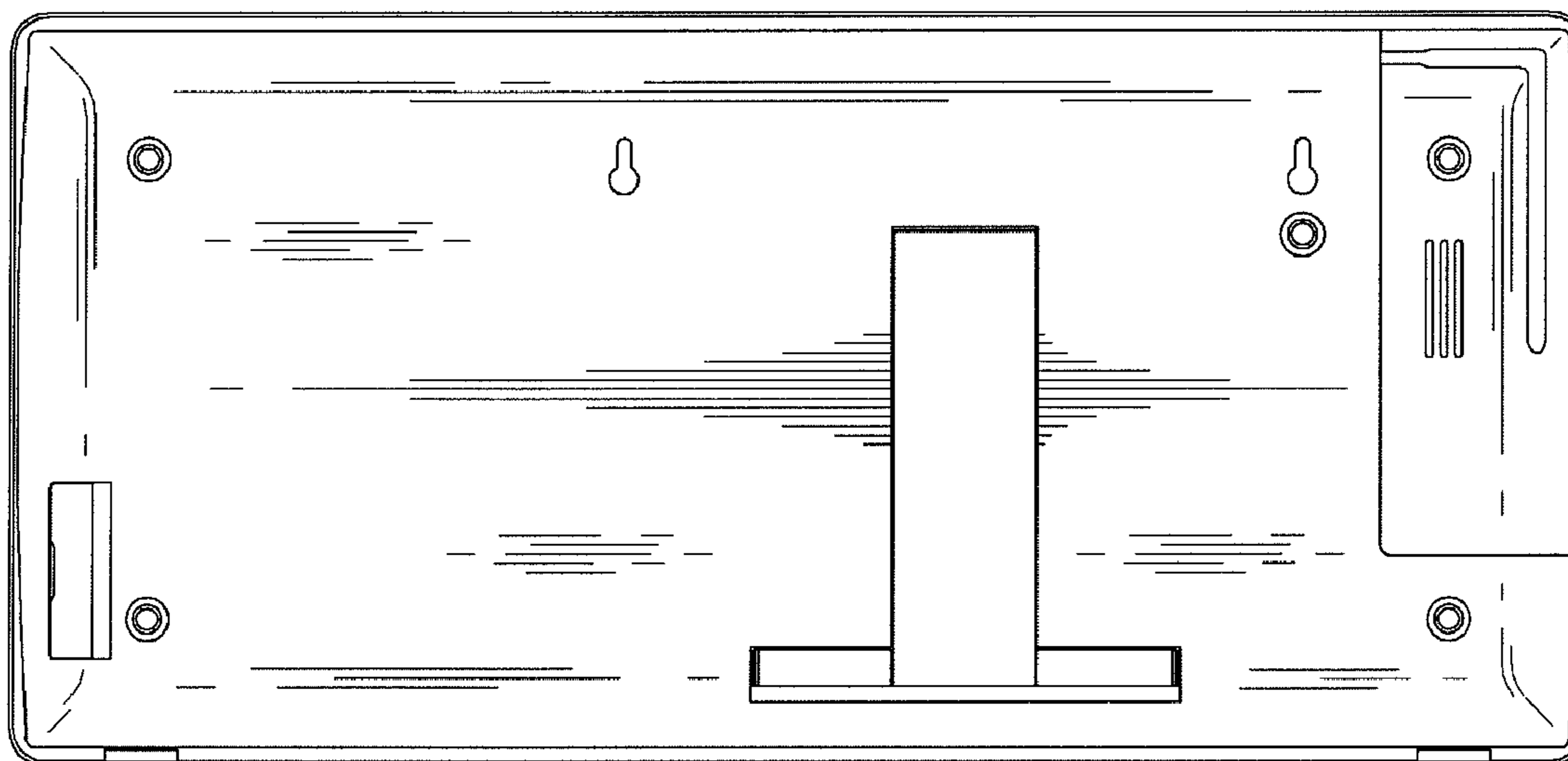


FIG. 4

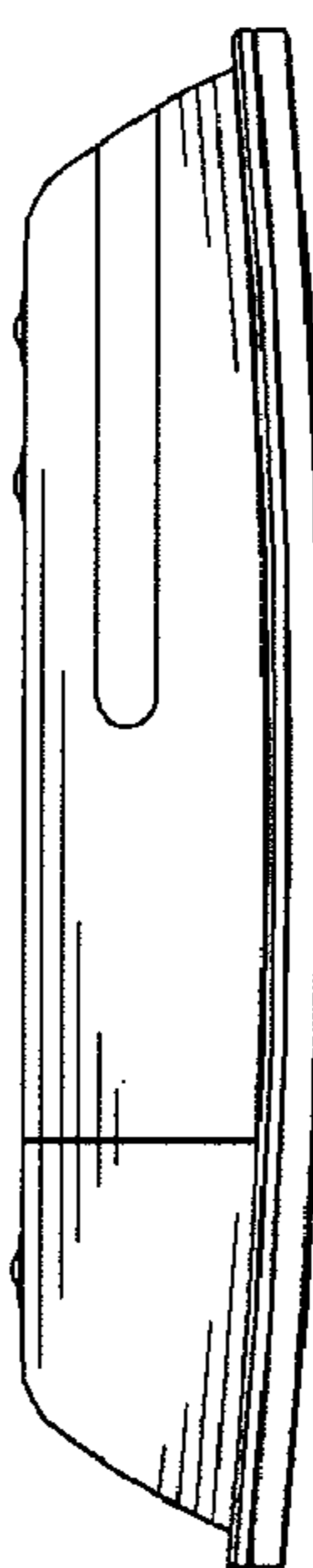


FIG. 5

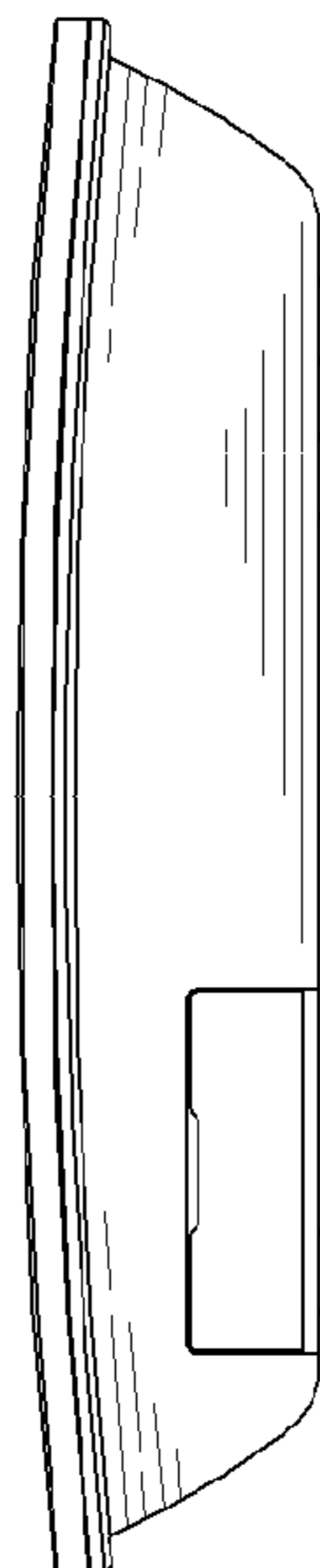


FIG. 6



FIG. 7

