



US00D617341S

(12) **United States Design Patent**
Kim et al.

(10) **Patent No.:** **US D617,341 S**
(45) **Date of Patent:** **** Jun. 8, 2010**

(54) **DVD PLAYER**

(75) Inventors: **Yoo Seok Kim**, Seoul (KR); **Jae Sung Go**, Gyeonggi-do (KR)

(73) Assignee: **LG Electronics Inc.**, Seoul (KR)

(**) Term: **14 Years**

(21) Appl. No.: **29/327,284**

(22) Filed: **Nov. 3, 2008**

(30) **Foreign Application Priority Data**

May 2, 2008 (KR) 30-2008-0018758

(51) **LOC (9) Cl.** **14-01**

(52) **U.S. Cl.** **D14/501**

(58) **Field of Classification Search** D14/125-134,
D14/168, 188, 197, 198, 239, 371, 136, 374-377,
D14/496-510; 312/7.2; 348/836, 838, 180,
348/184, 325, 739; 341/12; 248/917-924,
248/465, 123.11; 345/104, 133, 156, 168,
345/87, 173, 169; 349/1, 2, 11, 62; 720/605,
720/612, 619, 647, 655, 669, 600, 99, 197;
455/347-351; 360/99.07; 369/75.11, 75.21
See application file for complete search history.

(56) **References Cited**

U.S. PATENT DOCUMENTS

D448,950 S * 10/2001 McIveen D6/449

D475,032 S * 5/2003 Ota D14/502
D524,319 S * 7/2006 Zamanian D14/447
D549,190 S * 8/2007 Paradise et al. D14/125
D572,674 S * 7/2008 Paradise D14/125
D574,823 S * 8/2008 Wung D14/357
D580,920 S * 11/2008 Wikel et al. D14/240
D584,254 S * 1/2009 Jeon et al. D14/125

* cited by examiner

Primary Examiner—Raphael Barkai

Assistant Examiner—Randall H Gholson

(74) *Attorney, Agent, or Firm*—Birch, Stewart, Kolasch & Birch, LLP

(57) **CLAIM**

The ornamental design for a DVD player, as shown and described.

DESCRIPTION

FIG. 1 is a perspective view of a DVD player showing our new design;

FIG. 2 is a front view thereof;

FIG. 3 is a rear view thereof;

FIG. 4 is a left side view thereof where the right side view is a mirror image;

FIG. 5 is a top plan view thereof; and,

FIG. 6 is a bottom plan view thereof.

1 Claim, 5 Drawing Sheets

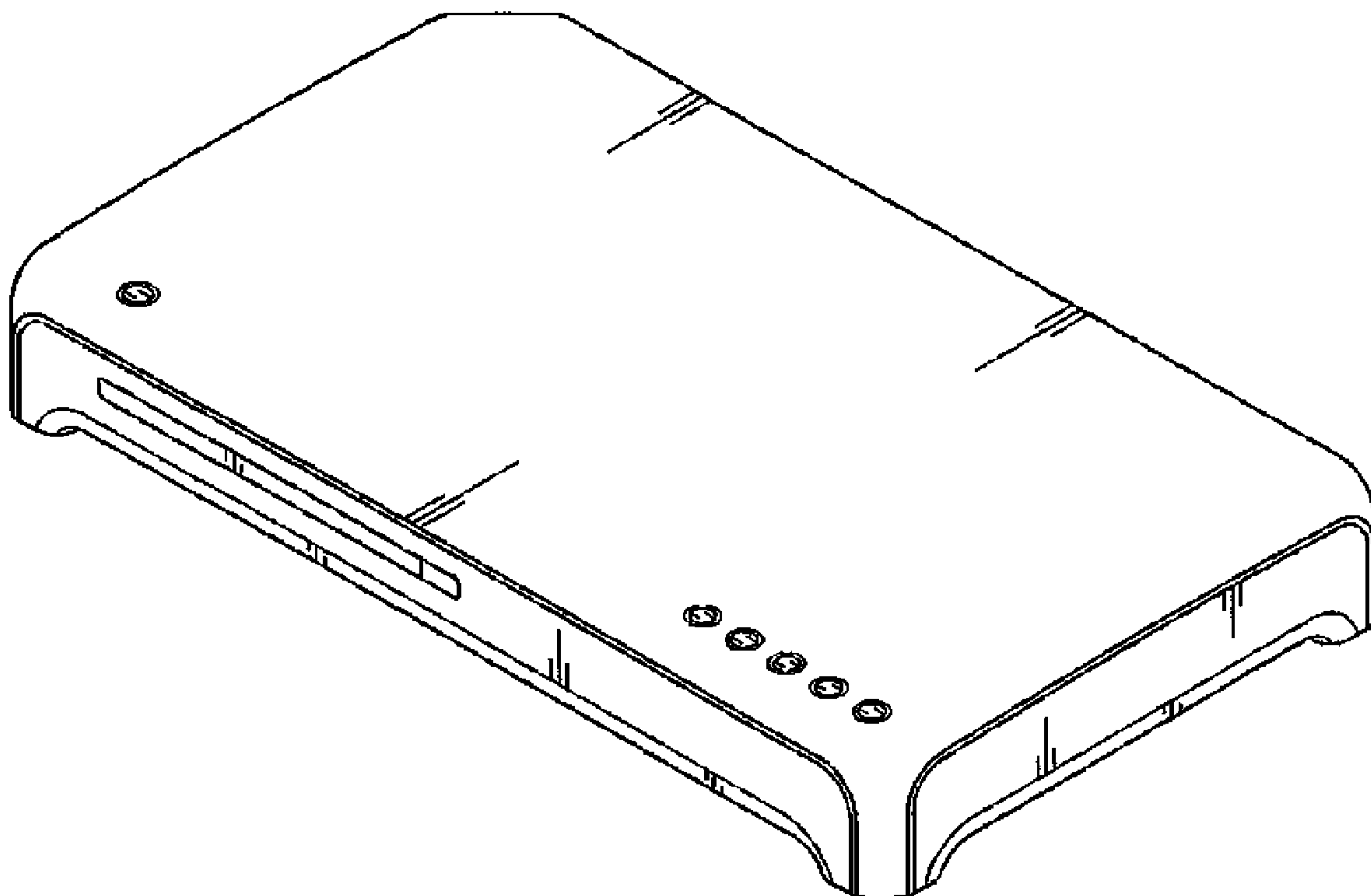


FIG. 1

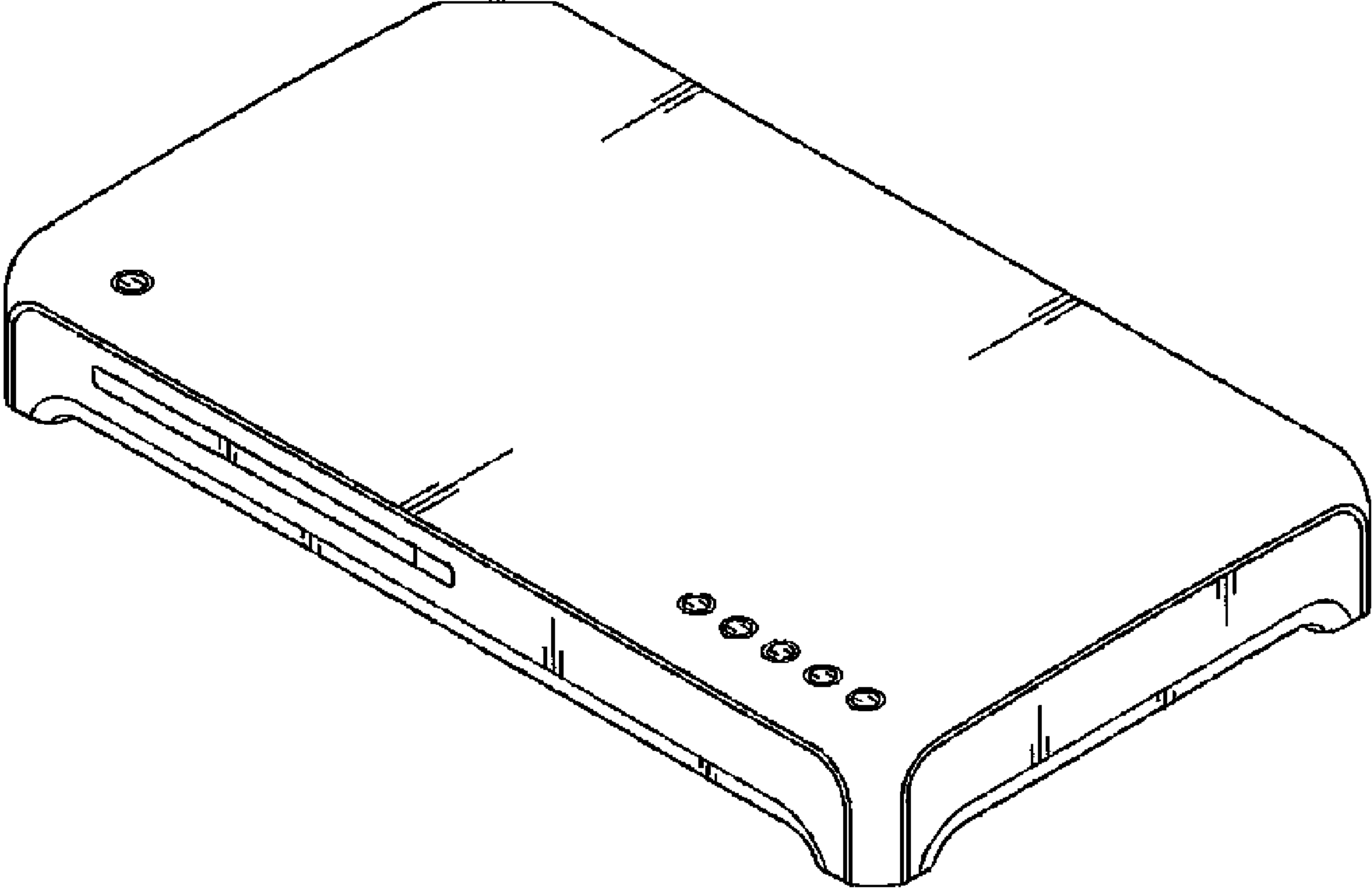


FIG. 2

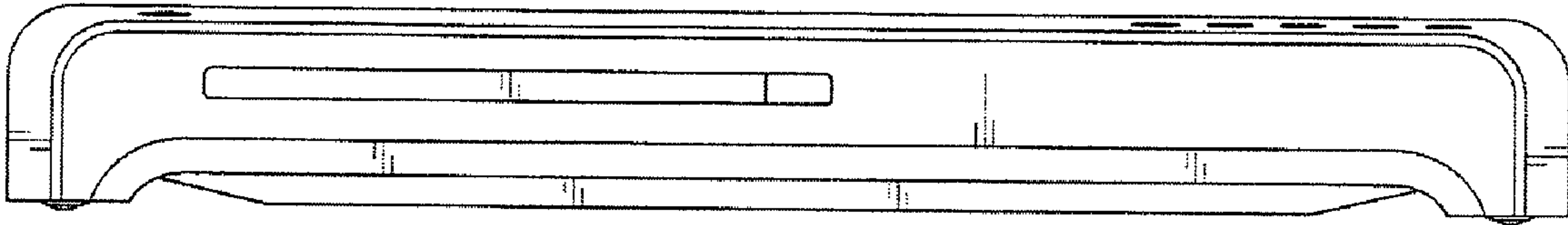


FIG. 3

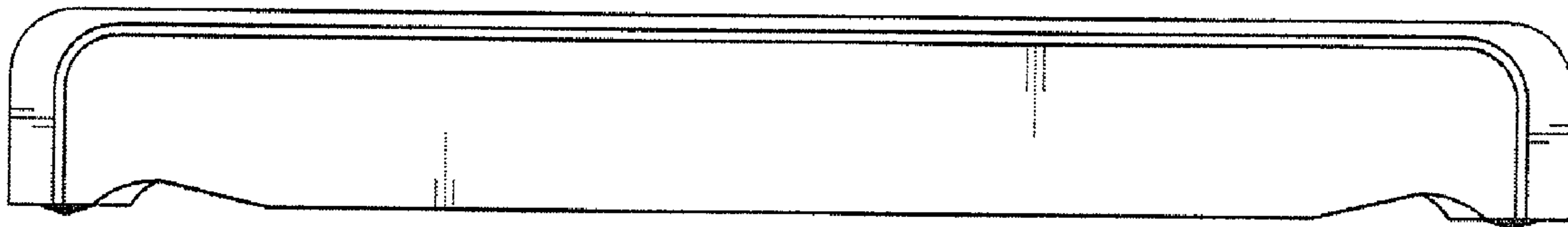


FIG. 4

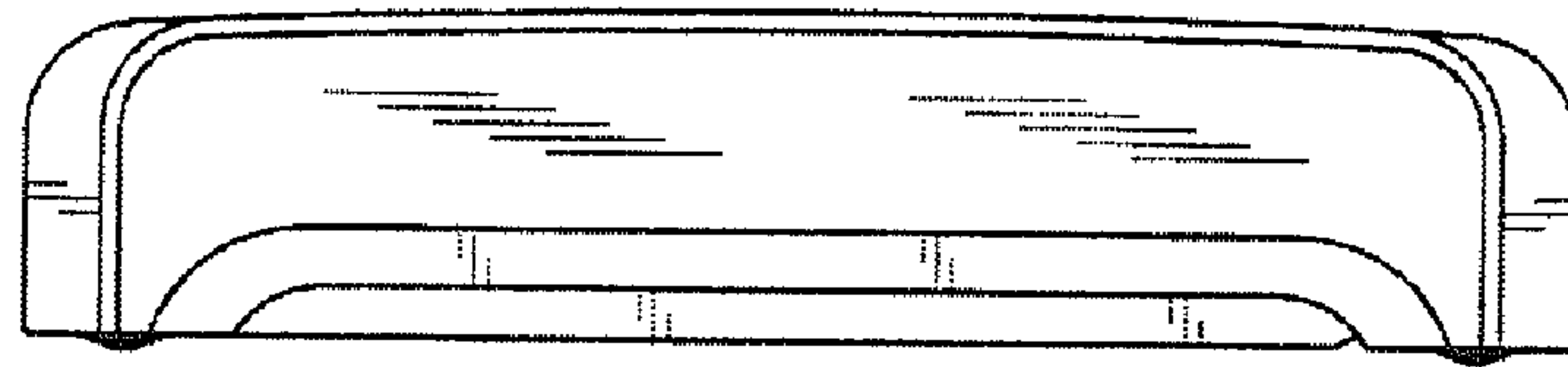


FIG. 5

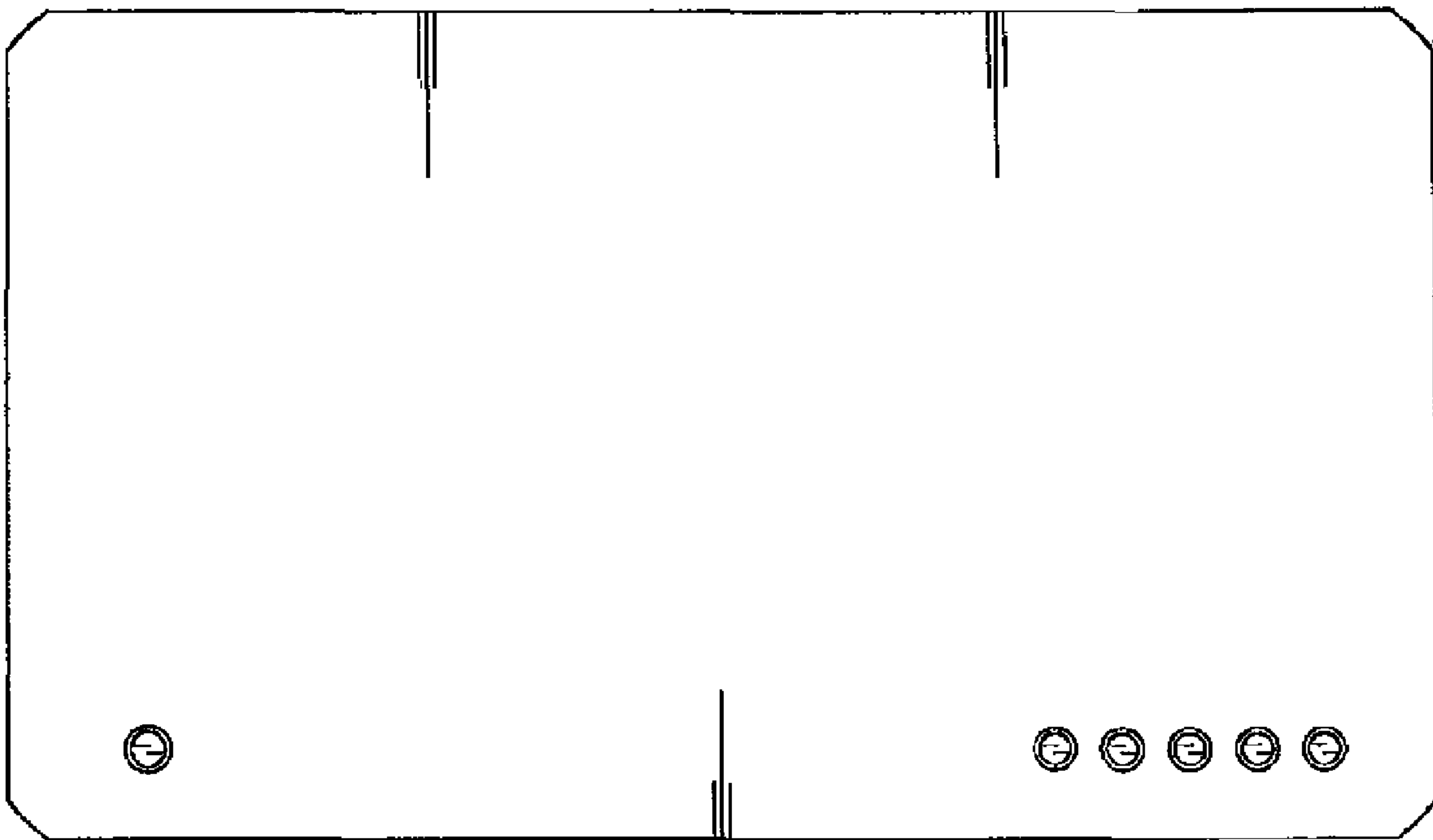


FIG. 6

