



US00D617331S

(12) **United States Design Patent**  
**Lo**

(10) **Patent No.:** **US D617,331 S**  
(45) **Date of Patent:** **\*\* Jun. 8, 2010**

(54) **USB FLASH DISK**

(76) **Inventor:** **Yu-Nan Lo**, No. 8, Lane 45, Ciancun E. Rd., Daya Township, Taichung County 42852 (TW)

(\*\*) **Term:** **14 Years**

(21) **Appl. No.:** **29/325,196**

(22) **Filed:** **Sep. 26, 2008**

(51) **LOC (9) Cl.** ..... **14-99**

(52) **U.S. Cl.** ..... **D14/480.7**

(58) **Field of Classification Search** ..... D14/411,  
D14/433, 435.1, 436, 480.1–480.7, 484.1,  
D14/137, 155, 167, 168, 203.1–203.8, 240,  
D14/242, 299; D3/201, 273; D13/107, 108,  
D13/149, 184; 361/679.31, 679.33, 679.4,  
361/752; 711/100, 115; 710/300, 301; 439/131,  
439/135–147

See application file for complete search history.

(56) **References Cited**

**U.S. PATENT DOCUMENTS**

D318,467 S *	7/1991	Smith	.....	D14/242
6,456,500 B1 *	9/2002	Chen	.....	361/752
6,743,030 B2 *	6/2004	Lin et al.	.....	439/131
D527,477 S *	8/2006	Chen	.....	D14/432
D540,539 S *	4/2007	Gutierrez	.....	D14/496
D547,311 S *	7/2007	Chen et al.	.....	D14/356
D553,618 S *	10/2007	Cheng	.....	D14/356
D581,413 S *	11/2008	Kim	.....	D14/356
D587,266 S *	2/2009	Deguchi	.....	D14/356
2006/0258196 A1 *	11/2006	Chen et al.	.....	439/141
2009/0147460 A1 *	6/2009	Kung	.....	361/679.31

**OTHER PUBLICATIONS**

USB MS/MS Pro/MS-Duo Card Reader Manufacturer, [online], [retrieved on Jan. 8, 2007]. Retrieved from the Internet <URL: <http://www.globalsources.com/gsol/I/Memory-card/p/bg/1002053495.htm>>.\*

USB 2.0 SD/MMC Card Reader Manufacturer, [online], [retrieved on Jan. 8, 2007]. Retrieved from the Internet <URL: <http://www.globalsources.com/gsol/I/Memory-card/p/bg/1002042402.htm>>.\*

\* cited by examiner

*Primary Examiner*—Cathron C Brooks

*Assistant Examiner*—Karen E Kearney

(74) *Attorney, Agent, or Firm*—Banger Shia

(57) **CLAIM**

The ornamental design for a USB flash disk, as shown and described.

**DESCRIPTION**

FIG. 1 is a perspective view of a USB flash disk showing my new design;

FIG. 2 is a front elevational view thereof;

FIG. 3 is a rear elevational view thereof;

FIG. 4 is a left side elevational view thereof;

FIG. 5 is a right side elevational view thereof;

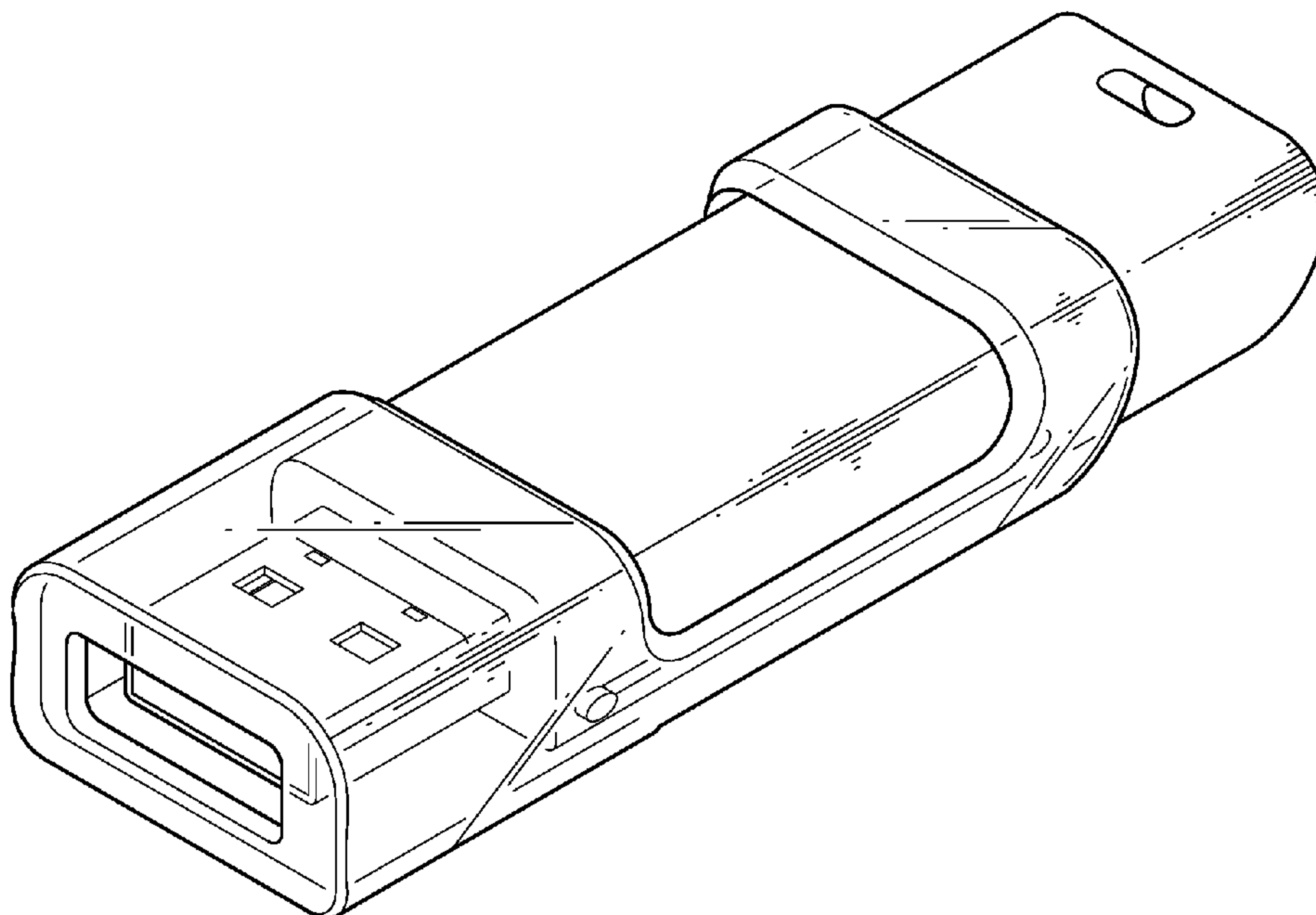
FIG. 6 is a top plan view thereof; and,

FIG. 7 is a bottom plan view thereof; and,

FIG. 8 is a perspective view thereof wherein the plug is sliding out showing in an implementation condition.

The broken lines shown in the drawings are for the purpose of illustrating unclaimed portions of the USB flash disk and form no part of the claimed design.

**1 Claim, 5 Drawing Sheets**



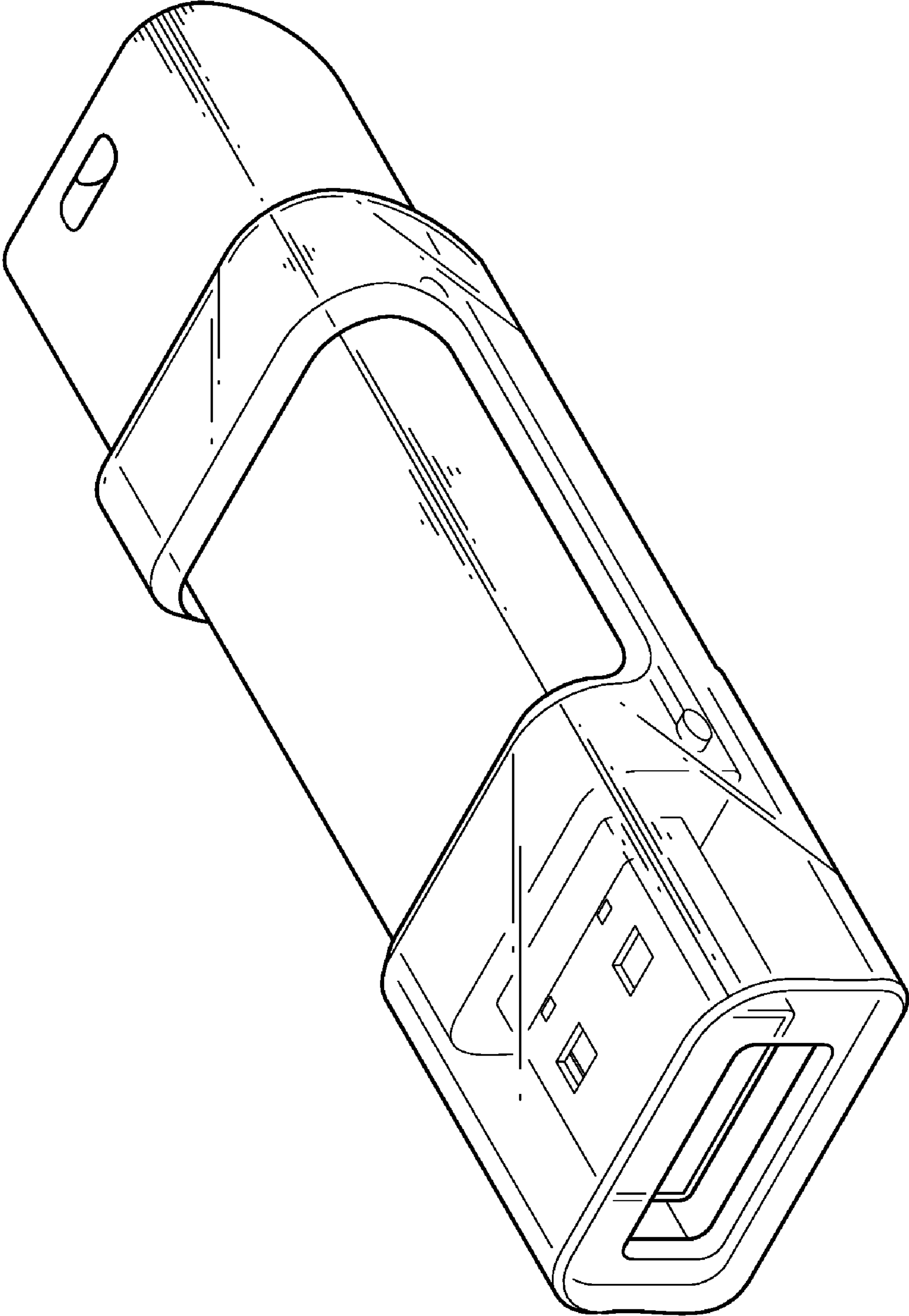


FIG. 1

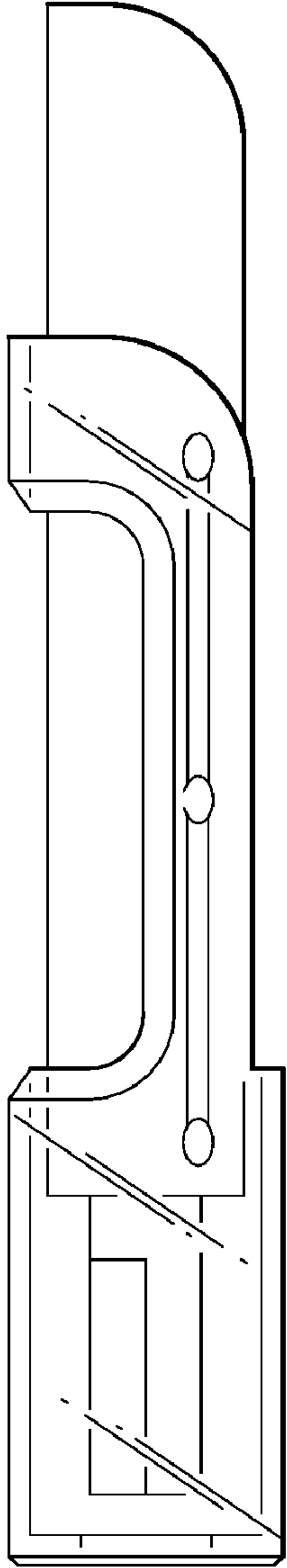


FIG. 2

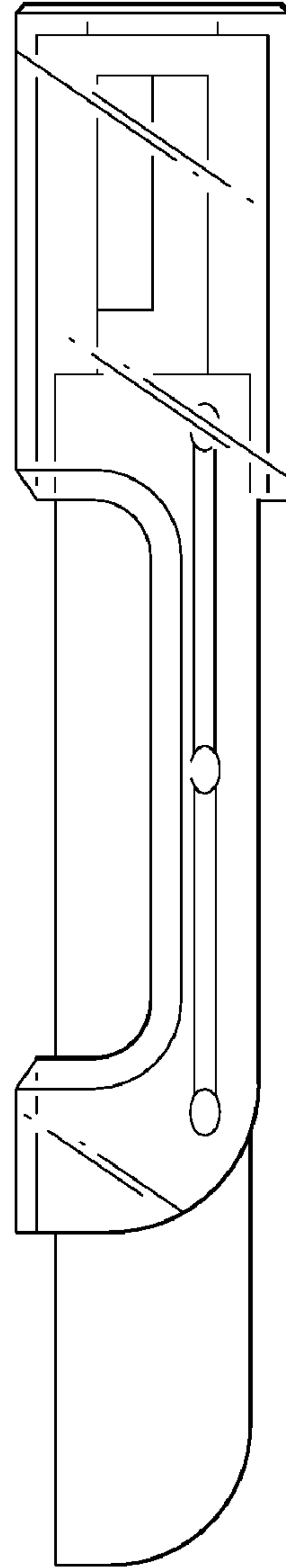


FIG. 3

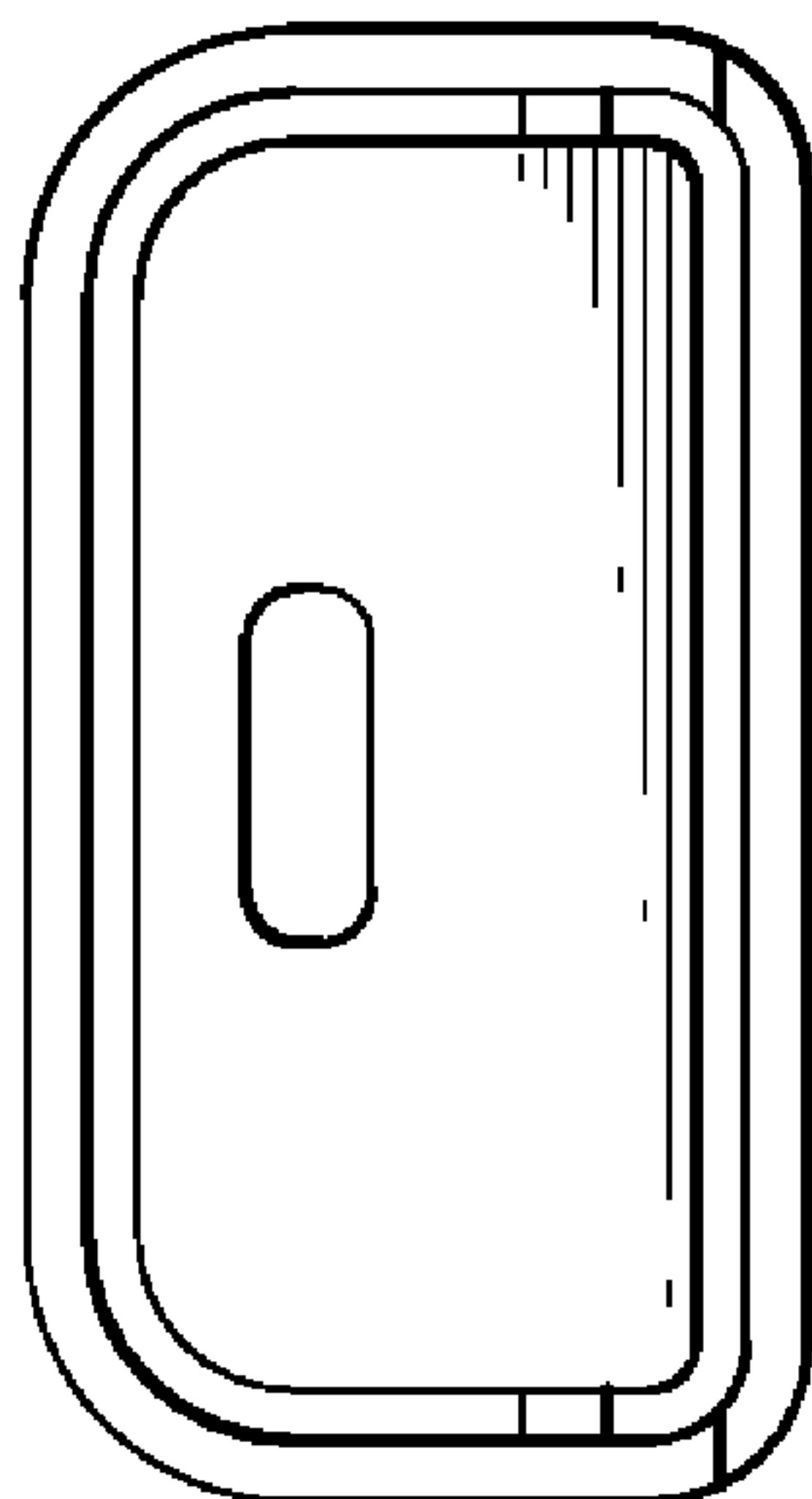


FIG. 5

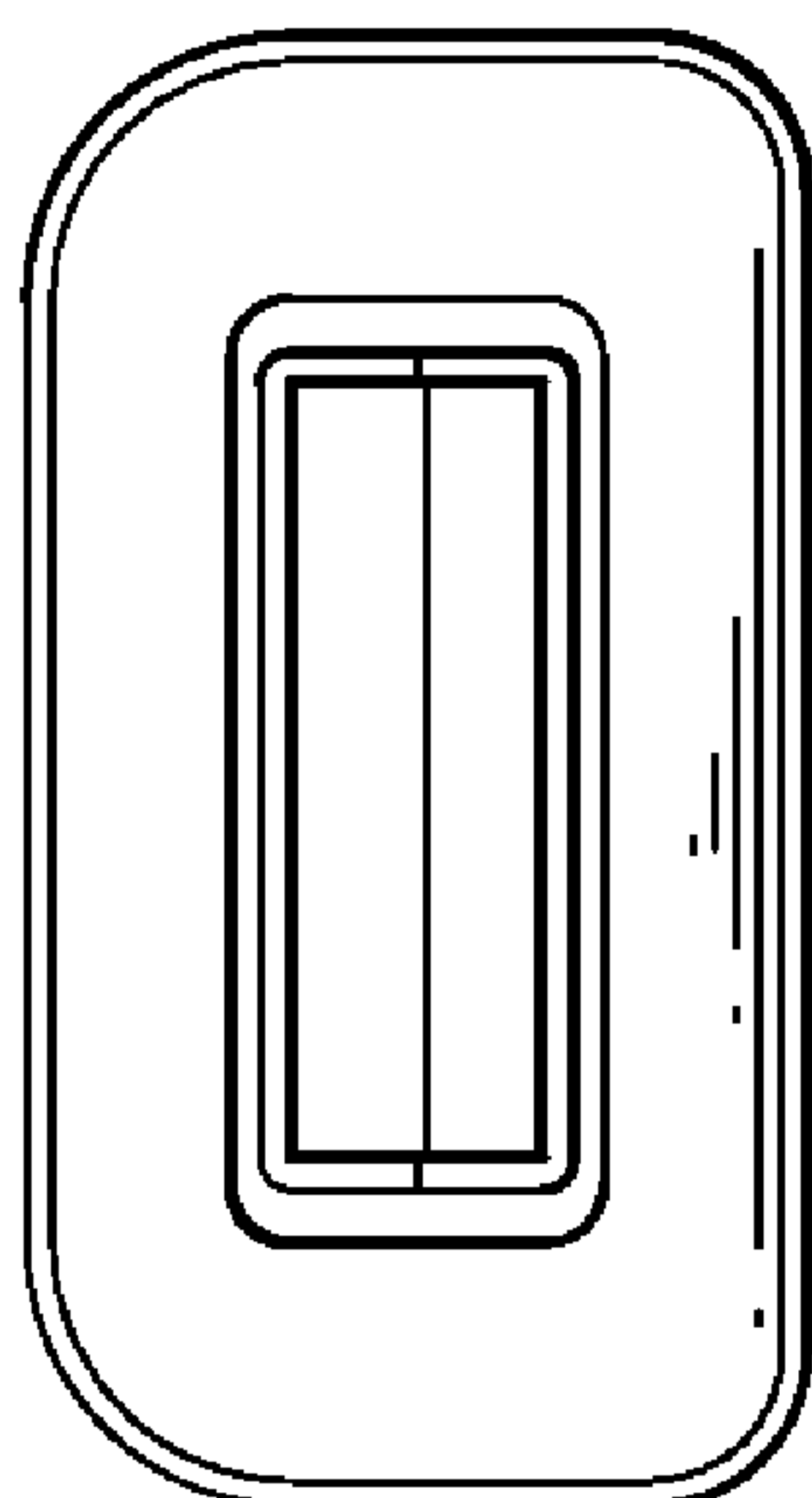


FIG. 4

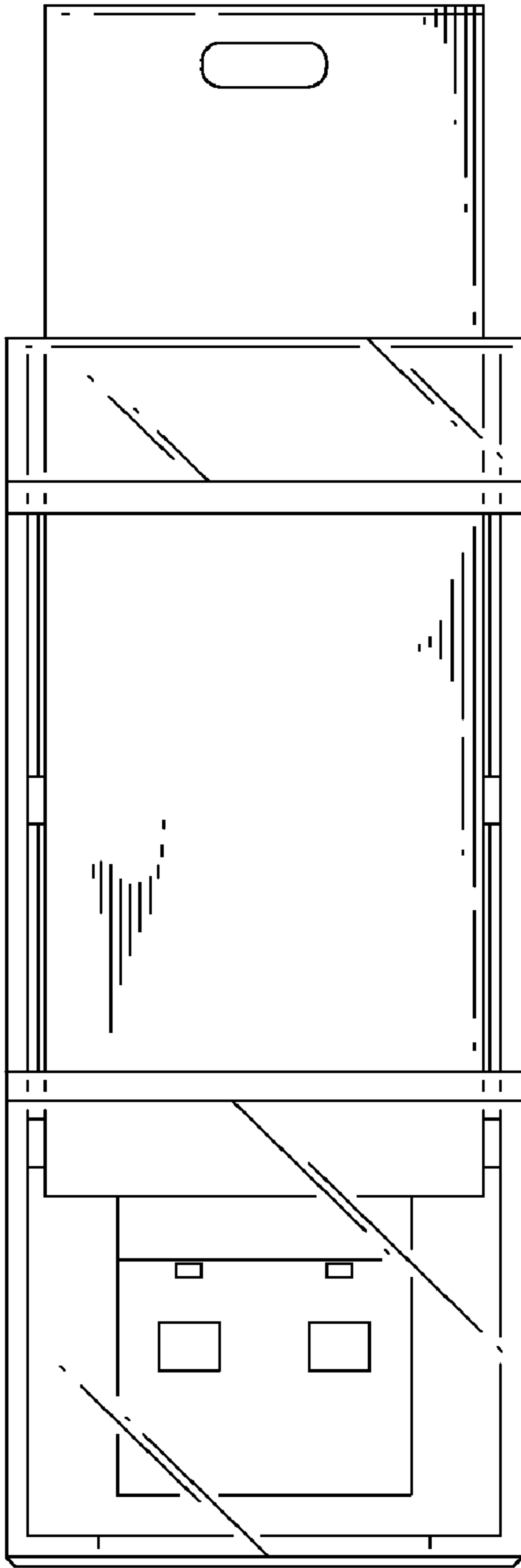


FIG. 6

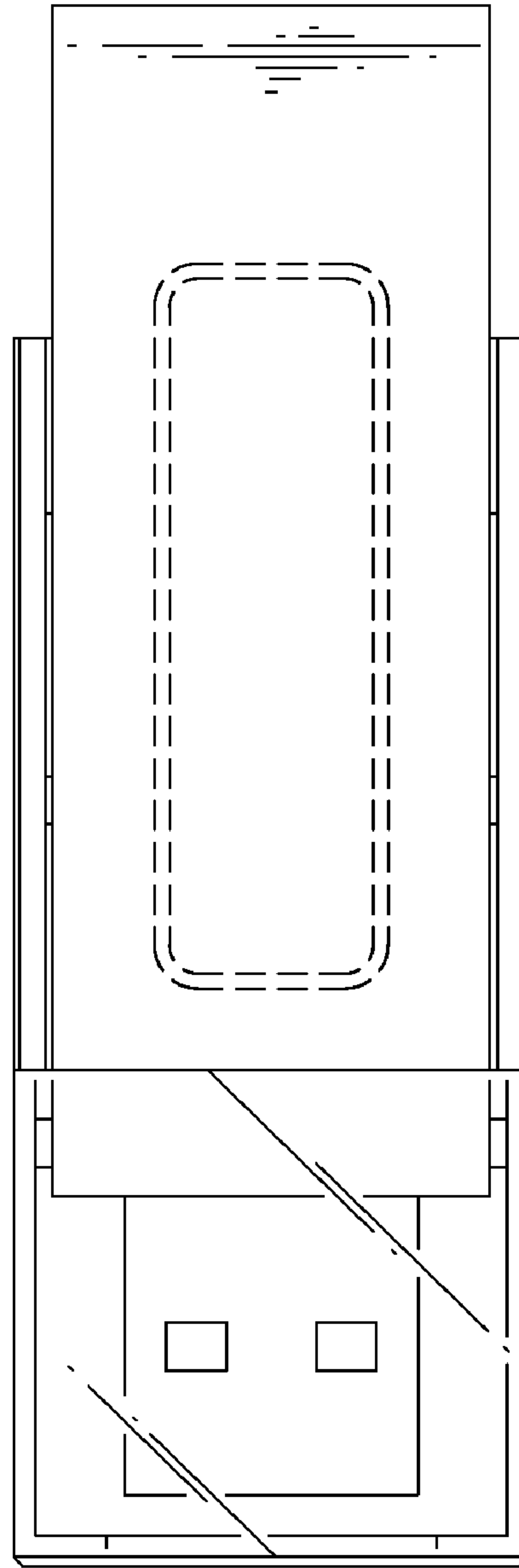


FIG. 7

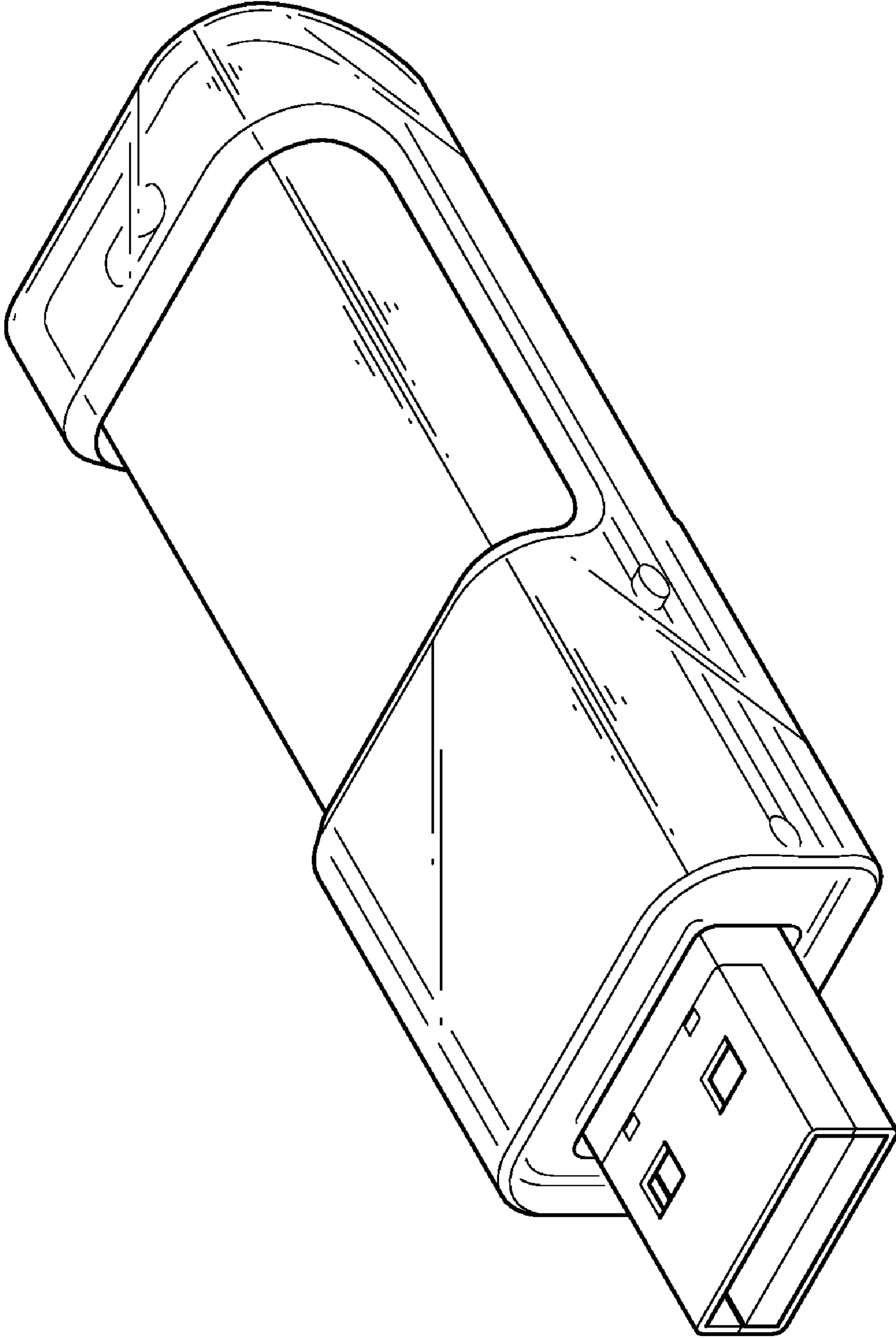


FIG. 8