



US00D617324S

(12) **United States Design Patent**
Fang et al.

(10) **Patent No.:** **US D617,324 S**
(45) **Date of Patent:** **** Jun. 8, 2010**

(54) **COMPUTER MOUSE**

(75) Inventors: **Bo-Xiang Fang**, San Chong (TW);
Zu-Nan Li, San Chong (TW)

(73) Assignee: **KYE Systems Corp.** (TW)

(**) Term: **14 Years**

(21) Appl. No.: **29/315,684**

(22) Filed: **Jul. 15, 2009**

(51) **LOC (9) Cl.** **14-02**

(52) **U.S. Cl.** **D14/402**

(58) **Field of Classification Search** D14/402-411,
D14/356, 388, 389, 383-385, 417, 426; 345/156-167;
463/36-38; 358/471, 473
See application file for complete search history.

(56) **References Cited**

U.S. PATENT DOCUMENTS

D431,567 S	10/2000	You	
D437,852 S	2/2001	Ledbetter et al.	
D439,252 S *	3/2001	Ledbetter et al.	D14/402
D460,071 S *	7/2002	Sheehan et al.	D14/402
D460,072 S	7/2002	Sheehan	
D464,652 S *	10/2002	Roh	D14/408
D467,925 S	12/2002	Hu et al.	
D471,198 S	3/2003	Guo et al.	
D474,769 S	5/2003	Fisher et al.	
D479,529 S	9/2003	Sheehan et al.	
D481,391 S	10/2003	Lee et al.	
6,650,316 B2	11/2003	Su	
D483,764 S *	12/2003	Masamitsu et al.	D14/407
D494,972 S	8/2004	Chen	
D504,133 S	4/2005	Canavan et al.	
D513,004 S *	12/2005	Chen	D14/408

D528,118 S	9/2006	Canavan et al.	
D552,092 S	10/2007	Fisher et al.	
D580,938 S *	11/2008	Simonian et al.	D14/402
D589,513 S *	3/2009	Chatterjee et al.	D14/402
D591,748 S *	5/2009	Hu et al.	D14/402
D595,296 S *	6/2009	Chatterjee et al.	D14/402
D596,179 S *	7/2009	Bolotin et al.	D14/402
D607,454 S *	1/2010	Reed et al.	D14/408
D607,455 S *	1/2010	Reed et al.	D14/408
D607,456 S *	1/2010	Reed et al.	D14/408

* cited by examiner

Primary Examiner—Cathron C Brooks

Assistant Examiner—Austin Murphy

(74) *Attorney, Agent, or Firm*—Raymond Sun

(57) **CLAIM**

The ornamental design for a computer mouse, as shown and described.

DESCRIPTION

FIG. 1 is a perspective view of a computer mouse showing my new design.

FIG. 2 is a front elevation view of the computer mouse of FIG. 1.

FIG. 3 is a left side elevation view of the computer mouse of FIG. 1.

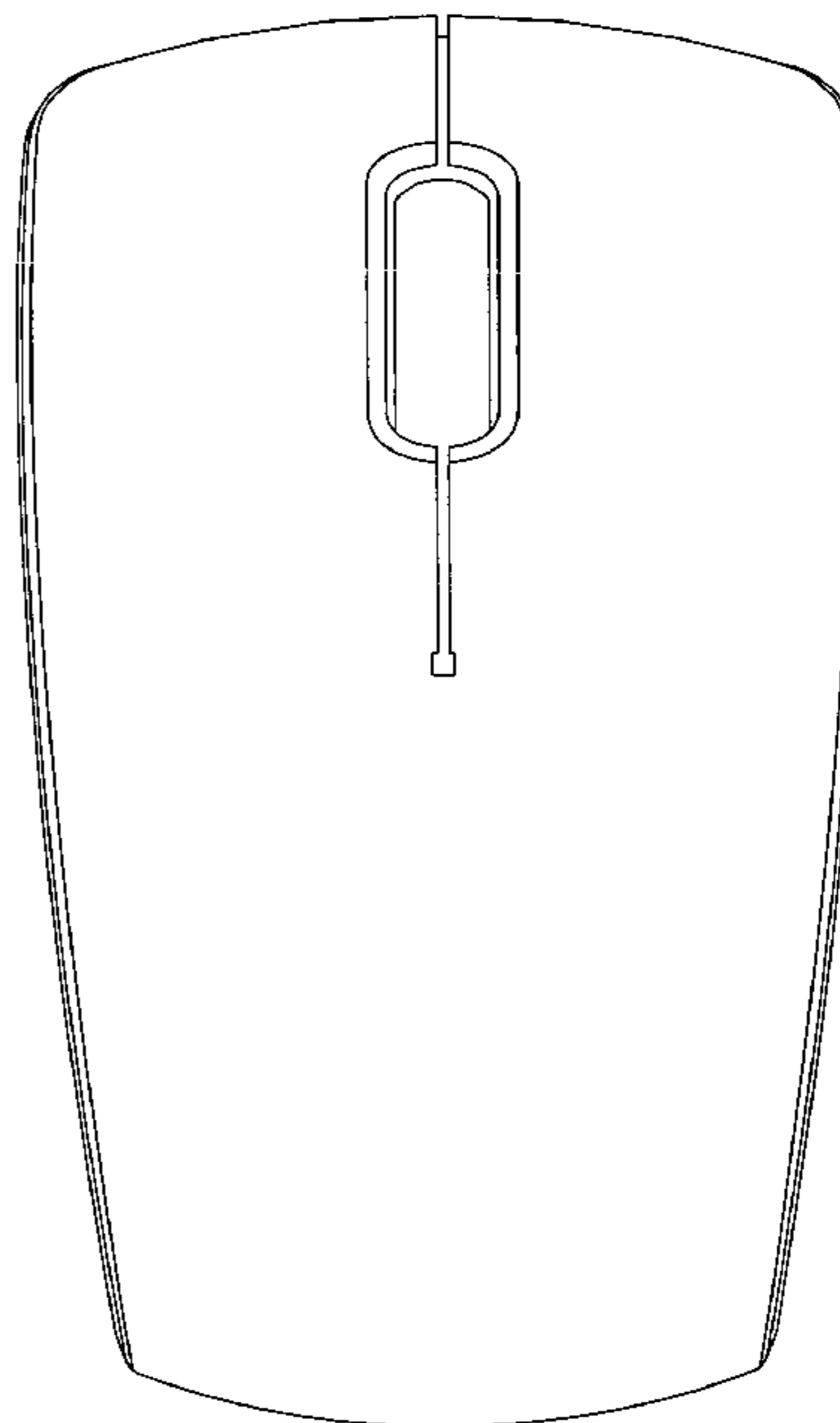
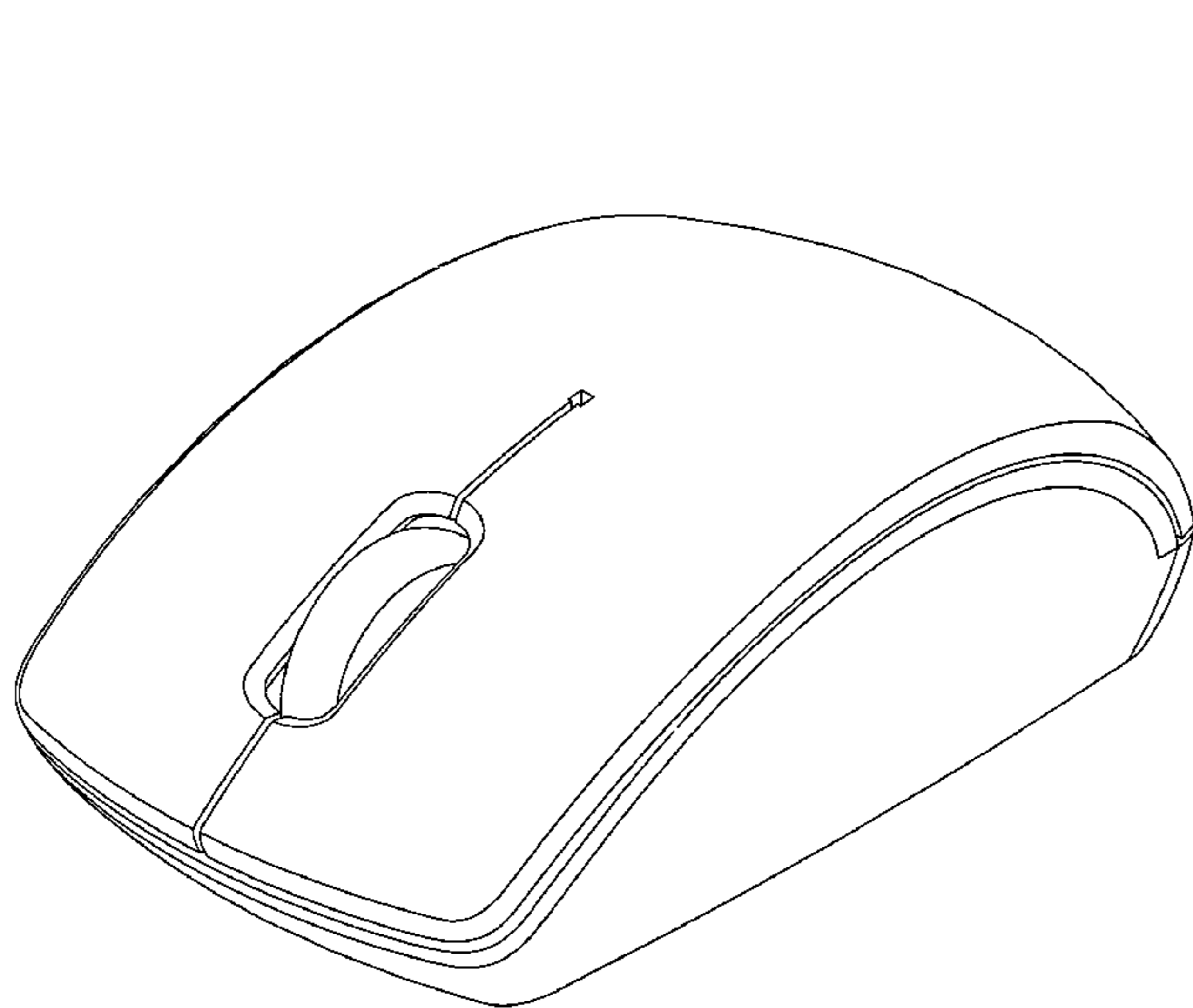
FIG. 4 is a top plan view of the computer mouse of FIG. 1.

FIG. 5 is a bottom plan view of the computer mouse of FIG. 1.

FIG. 6 is a rear elevation view of the computer mouse of FIG. 1; and,

FIG. 7 is a right side elevation view thereof.

1 Claim, 4 Drawing Sheets



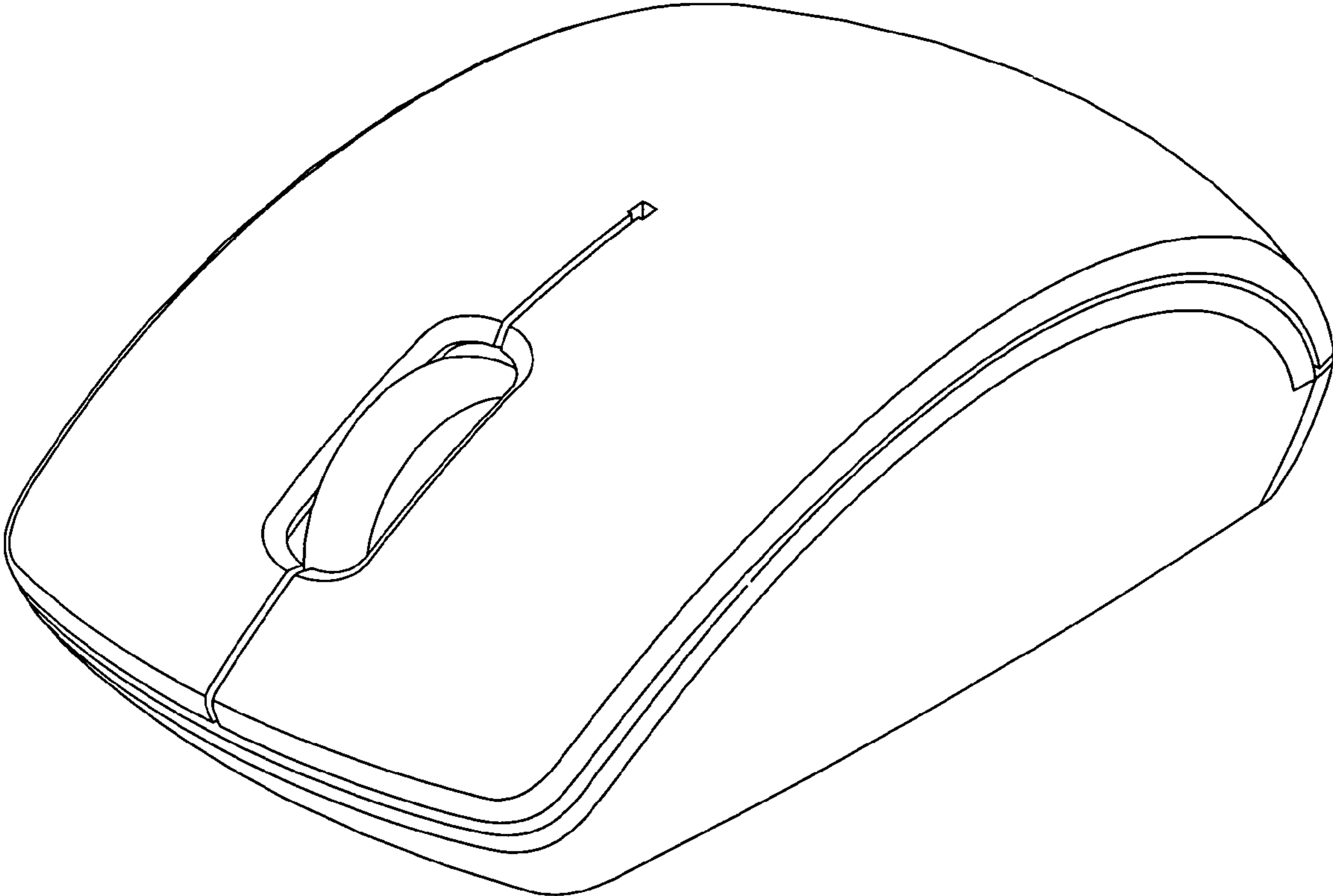


FIG. 1

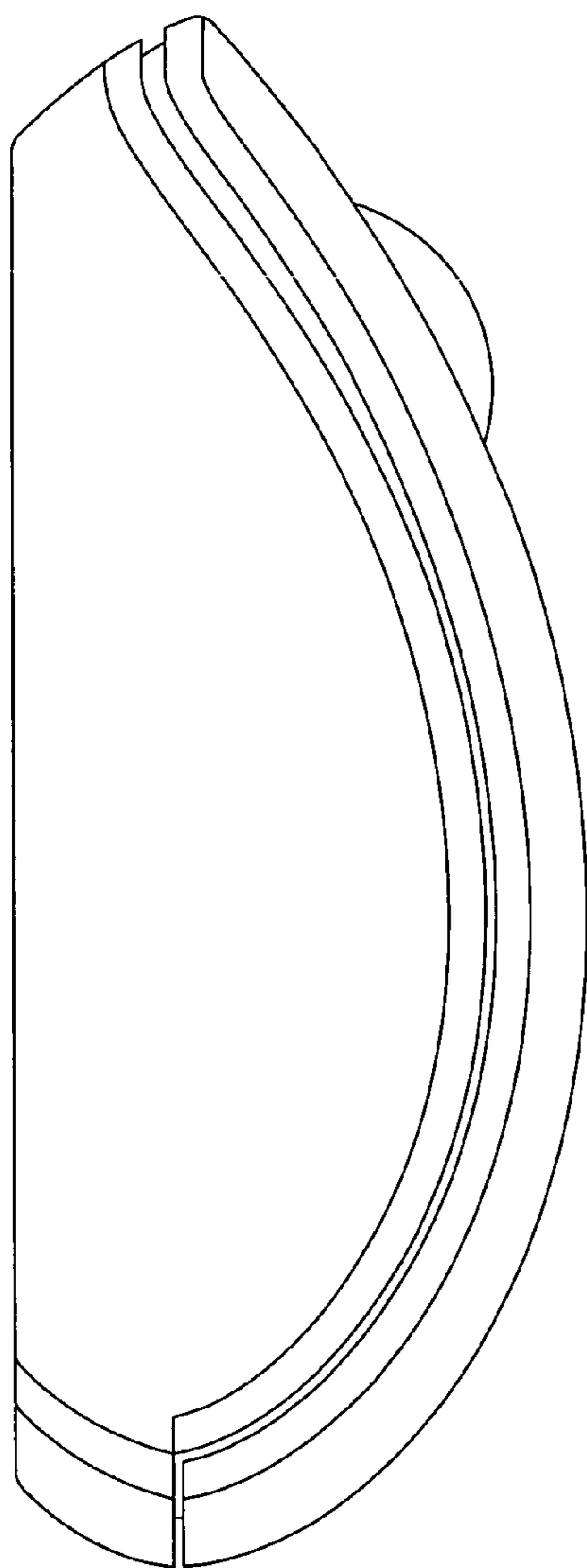


FIG. 3

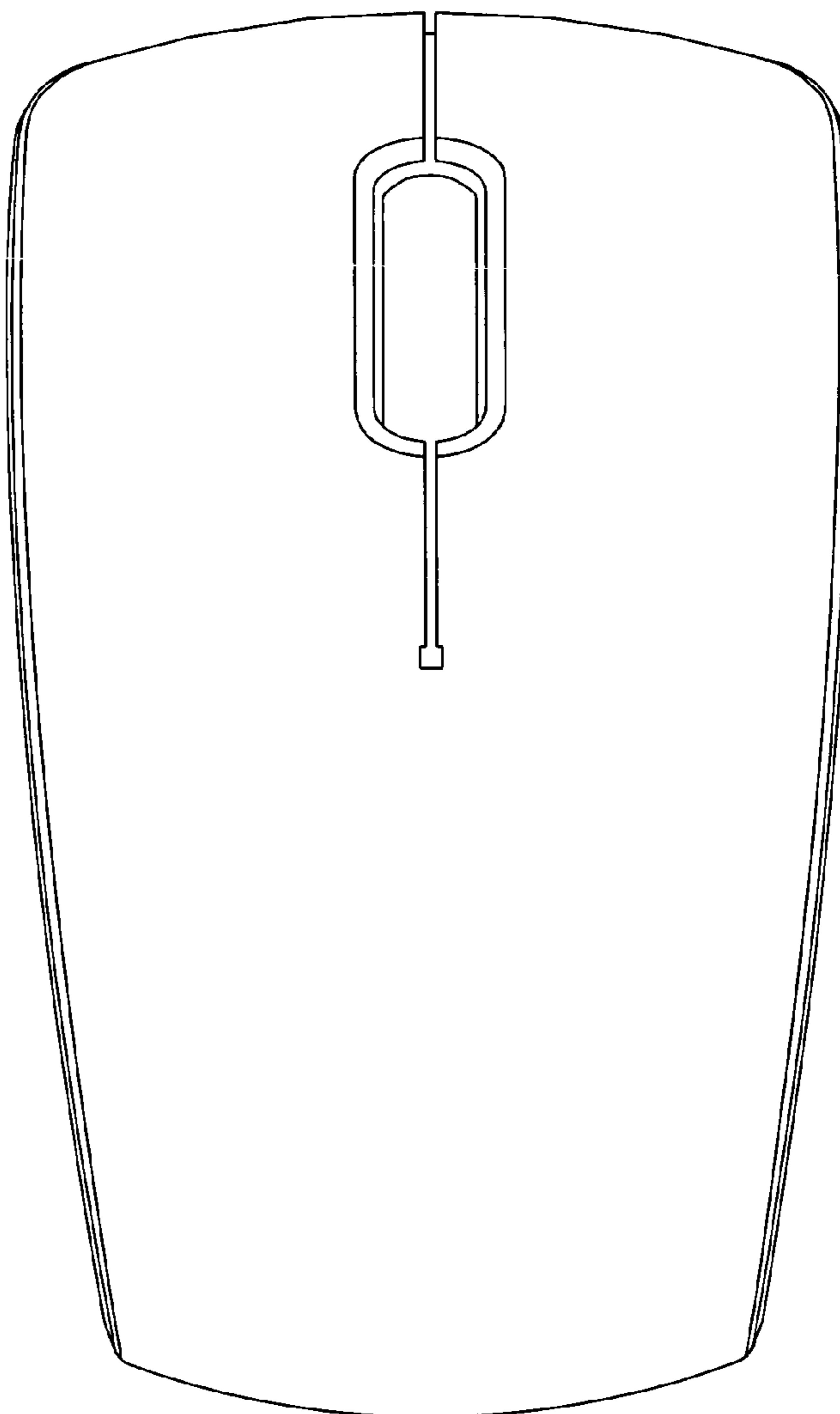


FIG. 2

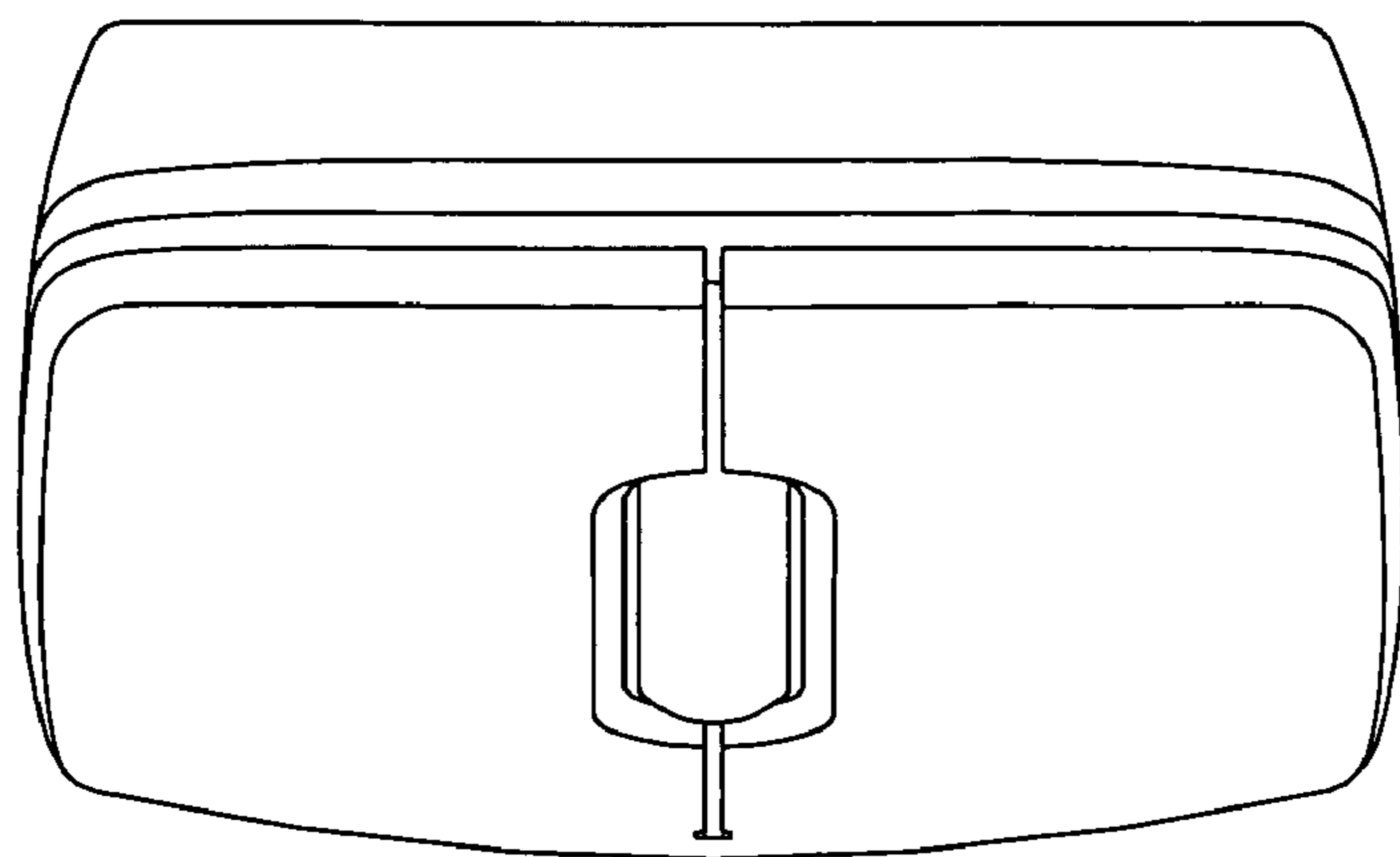


FIG. 4

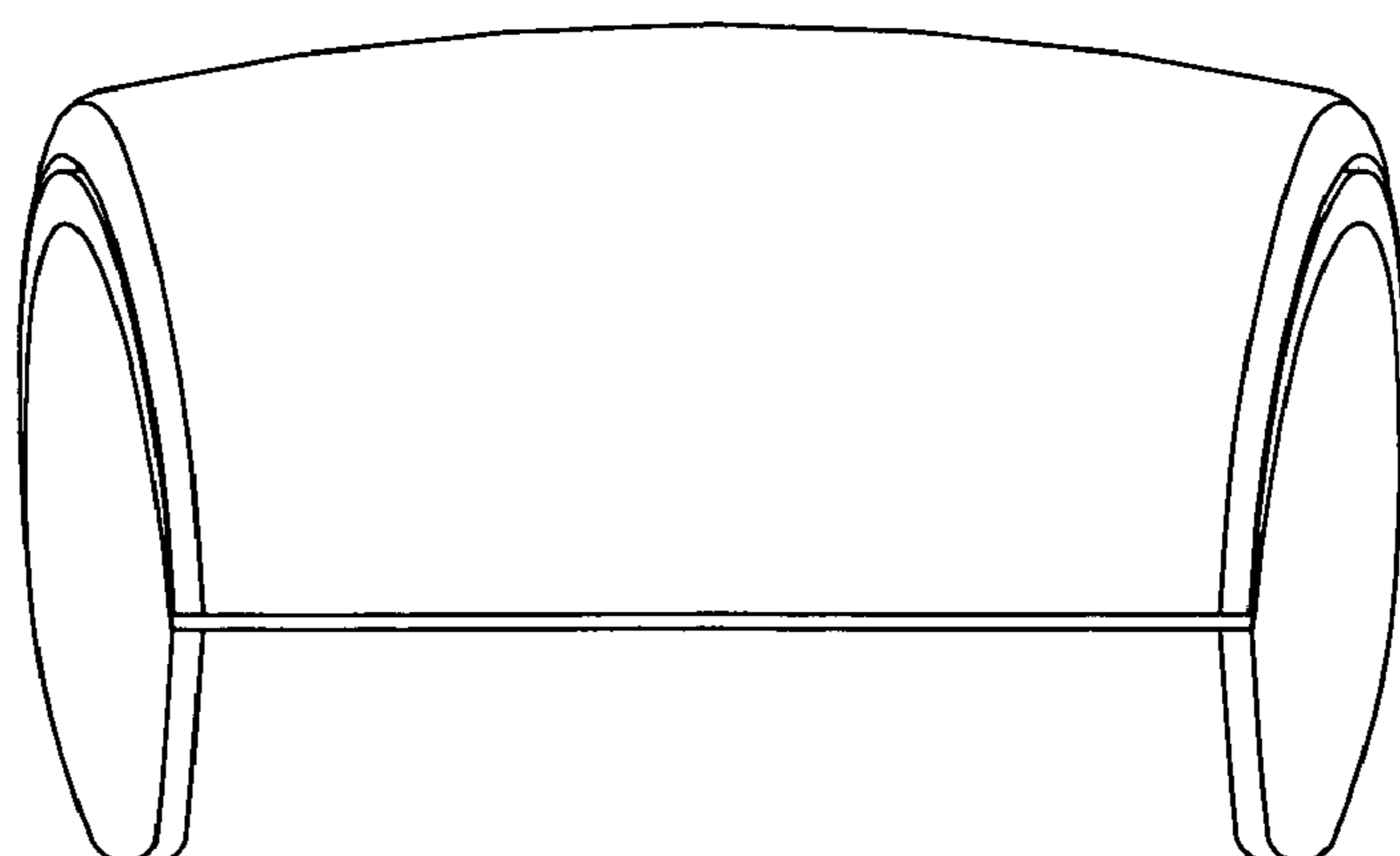


FIG. 5

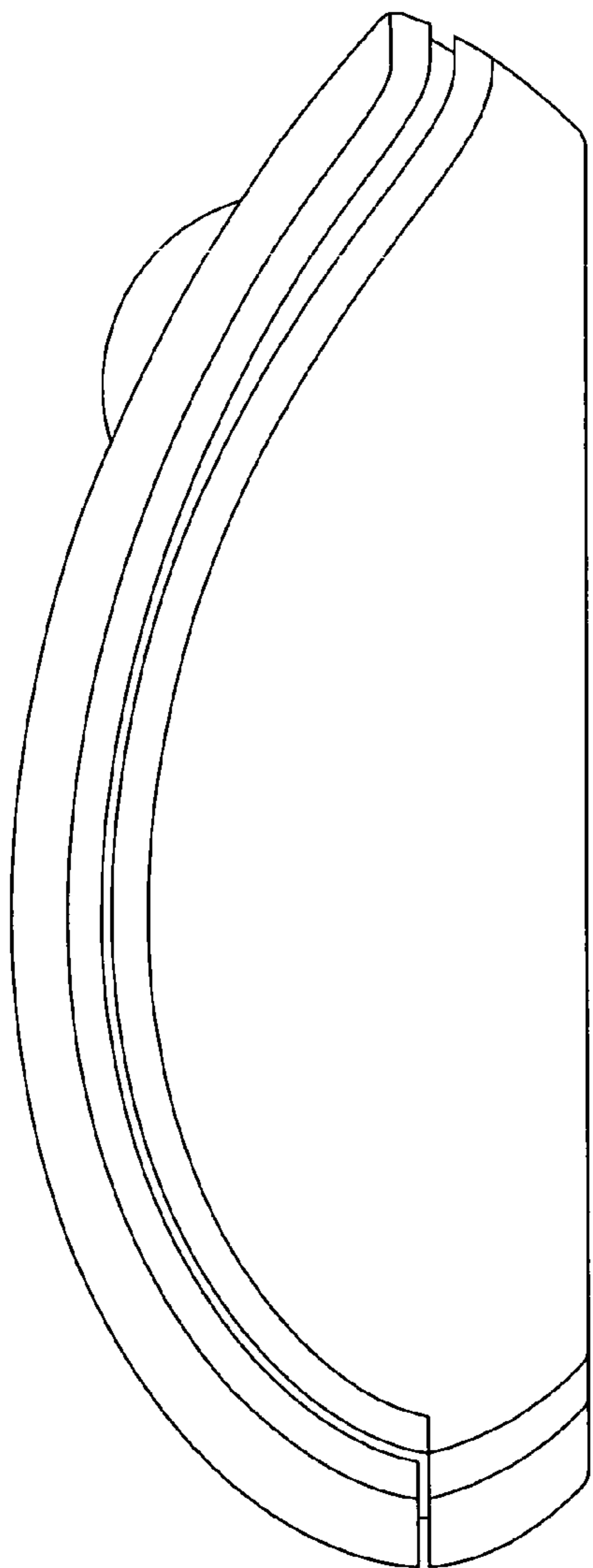


FIG. 7

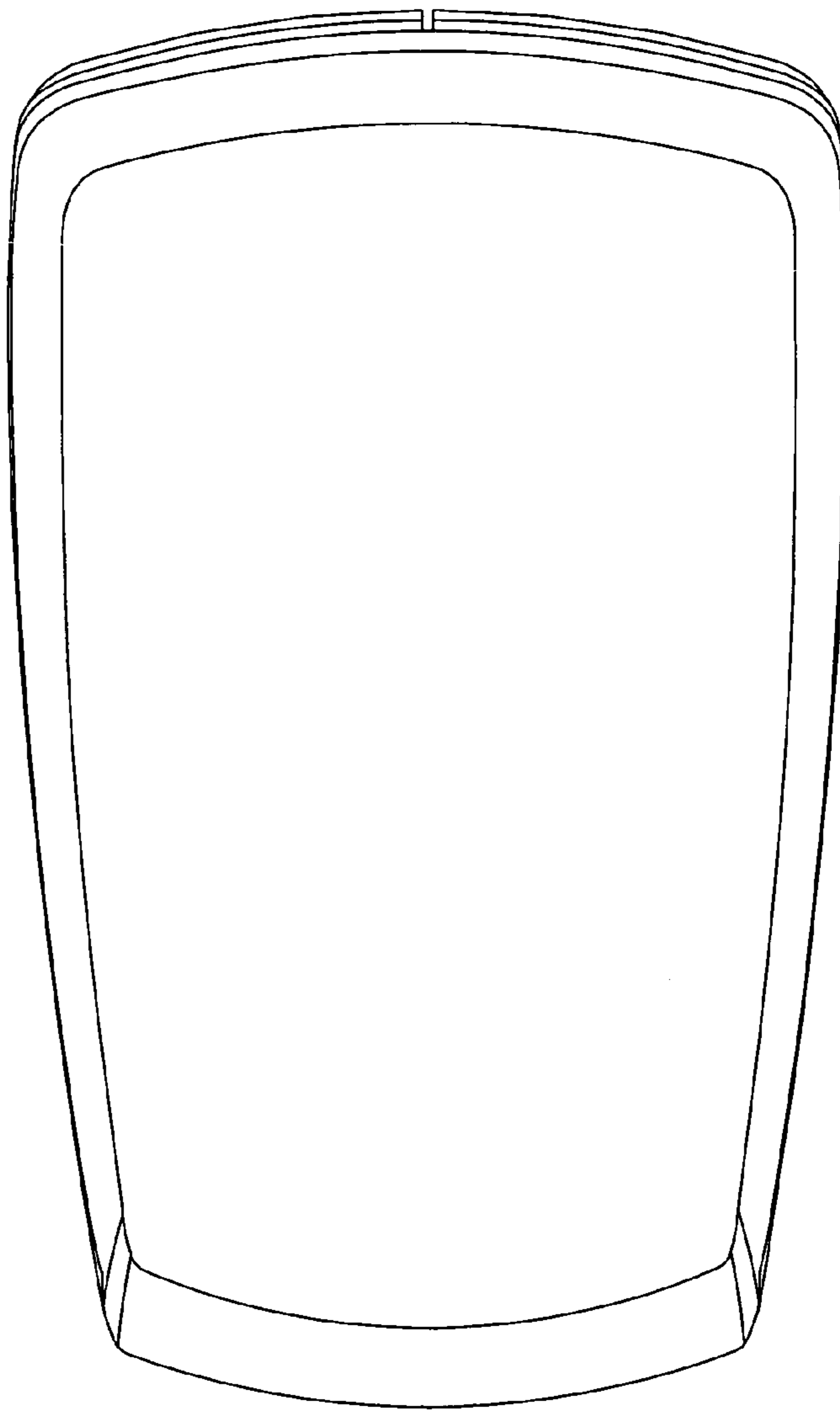


FIG. 6