



US00D617318S

(12) **United States Design Patent**
Tsai

(10) **Patent No.:** **US D617,318 S**
(45) **Date of Patent:** **** Jun. 8, 2010**

(54) **RFID ANTENNA**

2007/0273528 A1 11/2007 Burkholder et al.
2007/0273529 A1 11/2007 Lee et al.

(75) Inventor: **Chih Hung Tsai**, Taipei (TW)

OTHER PUBLICATIONS

(73) Assignee: **Yeon Technologies Co., Ltd.**, Taipei (TW)

Burnside, U.S. Appl. No. 11/570,307, filed May 17, 2007 titled: RFID Shelf Antennas.

(**) Term: **14 Years**

* cited by examiner

(21) Appl. No.: **29/302,163**

Primary Examiner—T. Chase Nelson
Assistant Examiner—John Windmuller

(22) Filed: **Jan. 11, 2008**

(74) *Attorney, Agent, or Firm*—Morris Manning & Martin LLP; Tim Tingkang Xia, Esq.

(51) **LOC (9) Cl.** **14-03**

(57) **CLAIM**

(52) **U.S. Cl.** **D14/230**

The ornamental design for an RFID antenna, as shown and described.

(58) **Field of Classification Search** D14/230–238,
D14/299; 343/700 R, 840, 841, 908; 455/3.02,
455/FOR. 215, 575.2

DESCRIPTION

See application file for complete search history.

FIG. 1 is a perspective view of an RFID antenna showing my new design;

(56) **References Cited**

U.S. PATENT DOCUMENTS

6,008,763	A *	12/1999	Nystrom et al.	343/700 MS
D424,063	S *	5/2000	Kudo	D14/230
6,667,718	B2 *	12/2003	Back et al.	343/700 MS
D493,446	S *	7/2004	Hung et al.	D14/230
6,864,842	B2 *	3/2005	Hung et al.	343/700 MS
7,019,703	B2 *	3/2006	Webb et al.	343/761
D520,498	S *	5/2006	Lin et al.	D14/230
D530,707	S *	10/2006	Chen et al.	D14/230
D535,647	S *	1/2007	Hall et al.	D14/230

FIG. 2 is a front elevation view thereof;

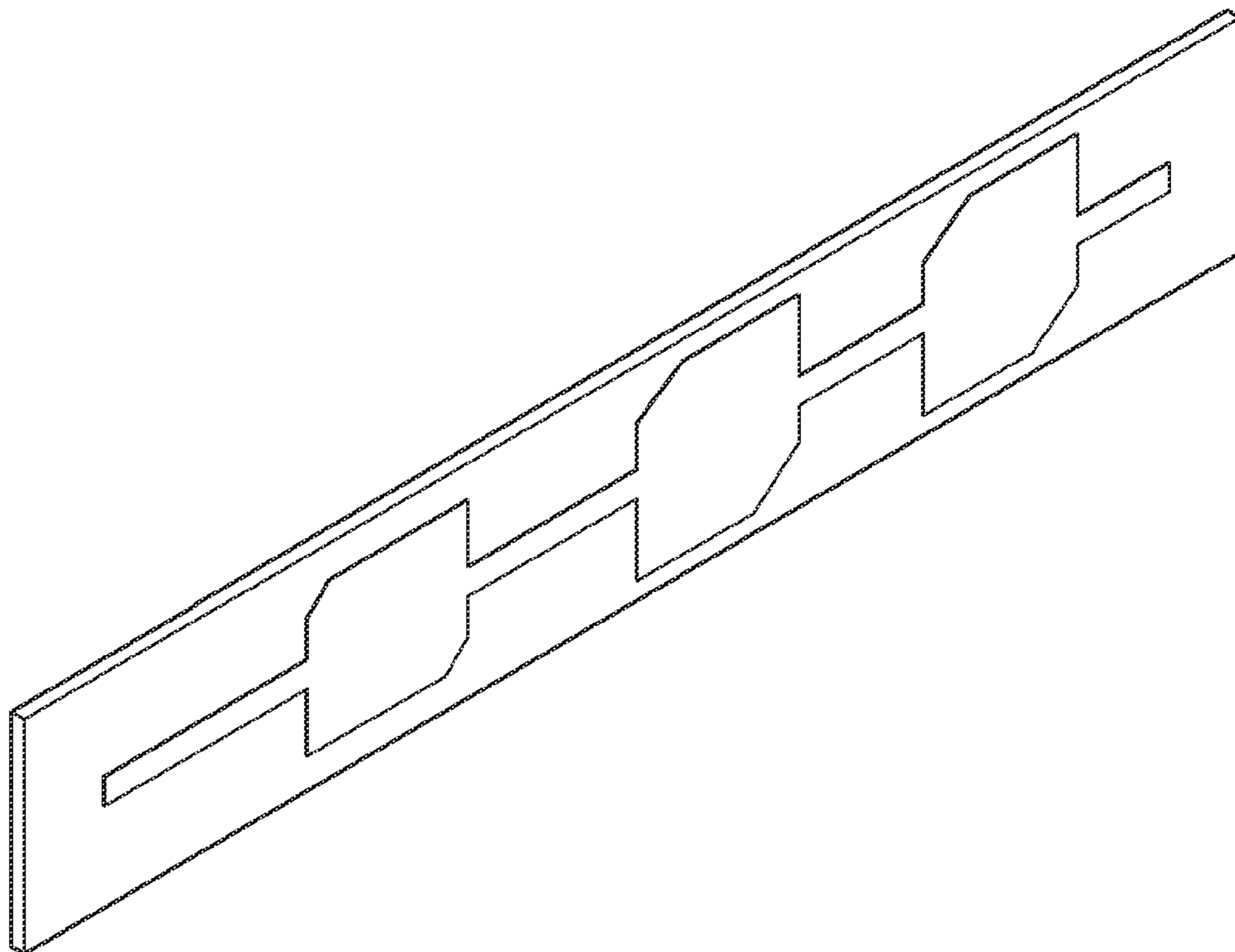
FIG. 3 is a rear elevation view thereof;

FIG. 4 is a left side elevation view thereof, a right side elevation view being a mirror image of FIG. 4;

FIG. 5 is a top plan view thereof; a bottom plan view being a mirror image FIG. 5; and,

FIG. 6 is another perspective view thereof.

1 Claim, 4 Drawing Sheets



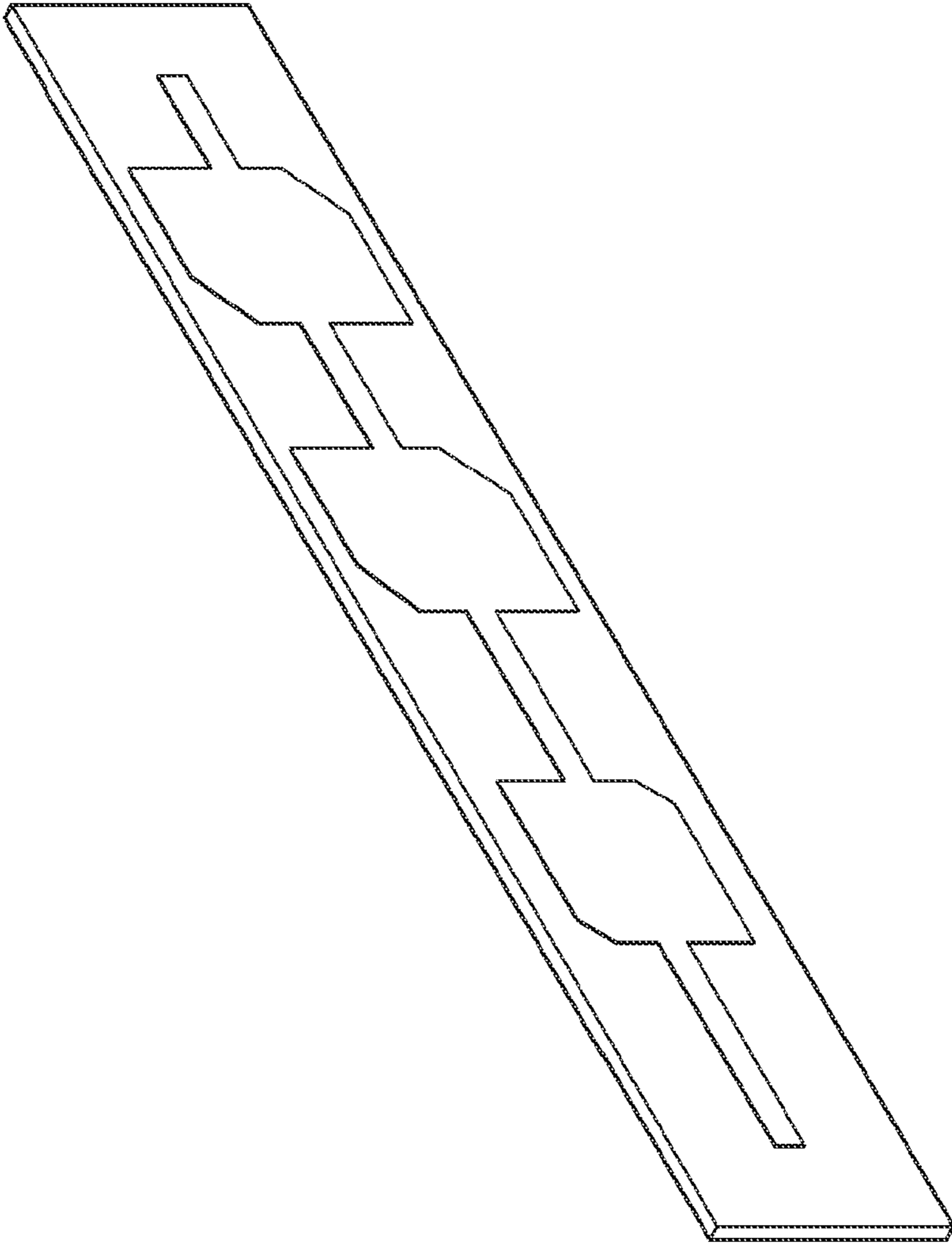


FIG. 1

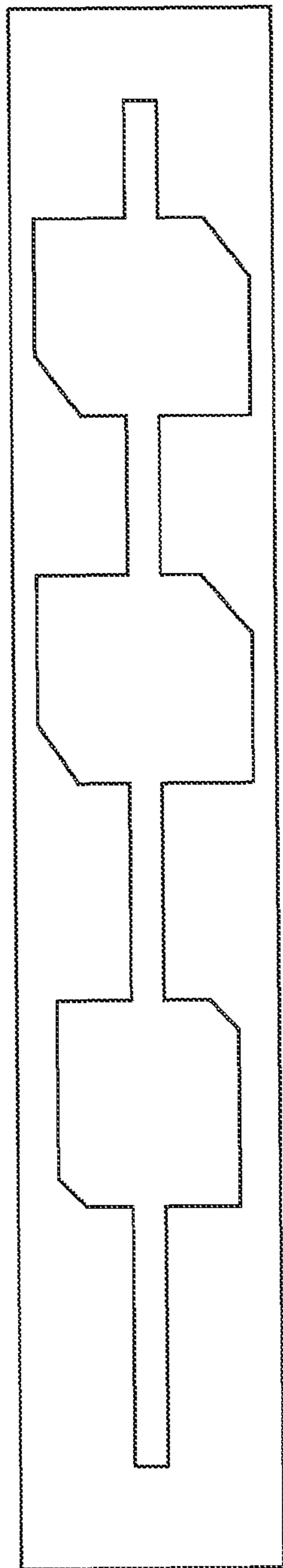


FIG. 2

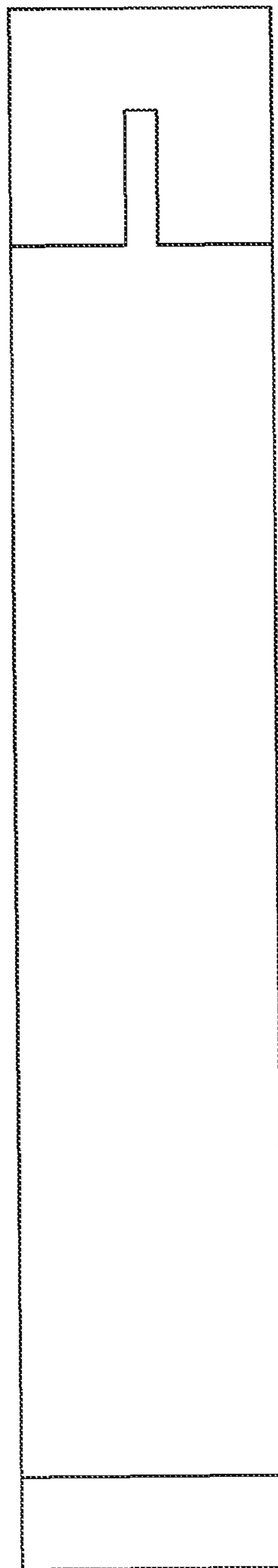


FIG. 3

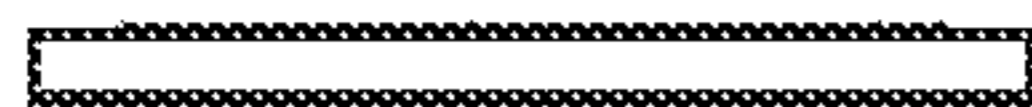


FIG. 4



FIG. 5

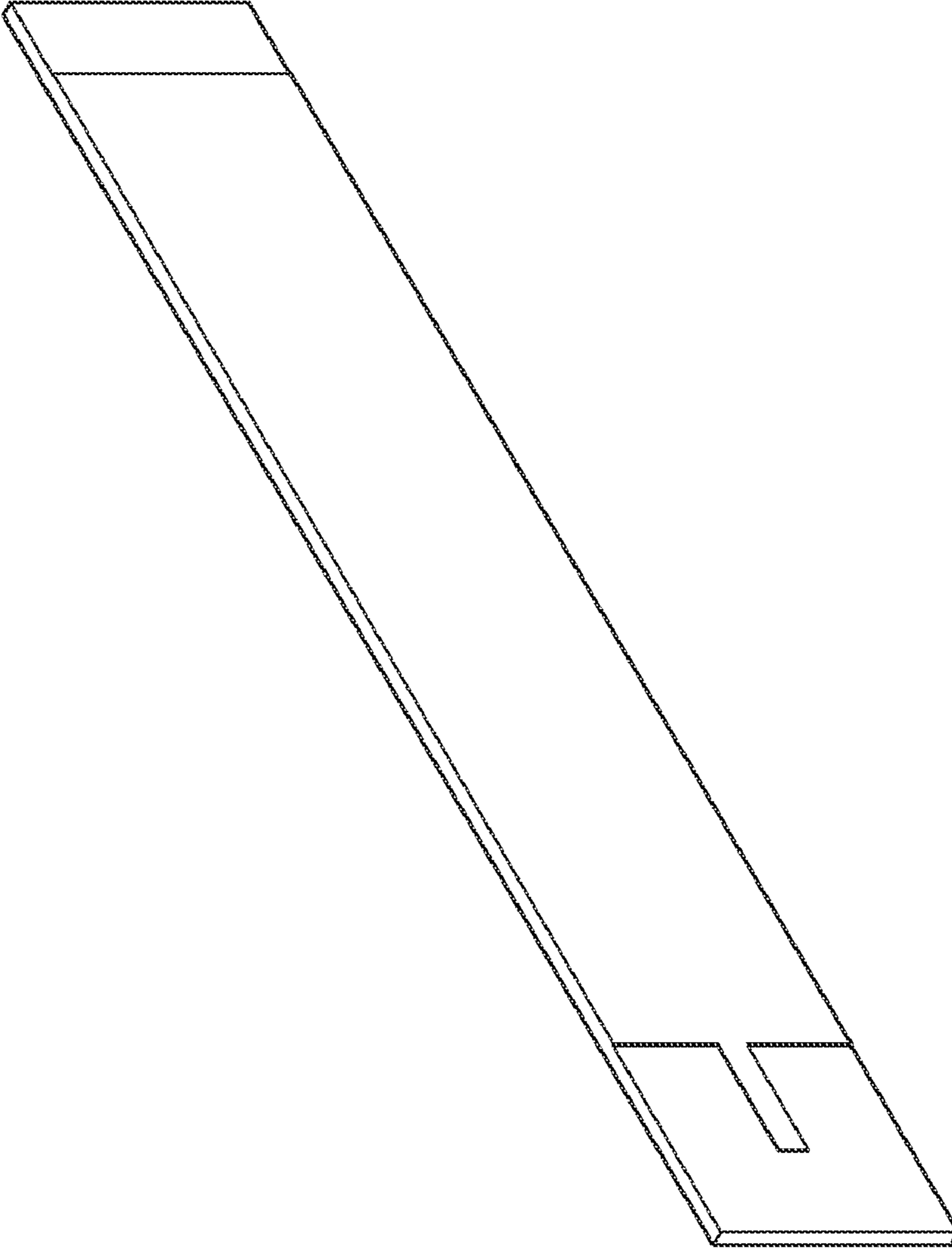


FIG. 6