



US00D617317S

(12) **United States Design Patent**
Tatara et al.

(10) **Patent No.:** **US D617,317 S**
(45) **Date of Patent:** **** Jun. 8, 2010**

(54) **WIRELESS MICROPHONE**
(75) Inventors: **Yoshihiro Tatara**, Nagano-ken (JP);
Fumio Yuzawa, Nagano-ken (JP)
(73) Assignee: **Seiko Epson Corporation**, Tokyo (JP)
(**) Term: **14 Years**
(21) Appl. No.: **29/342,537**
(22) Filed: **Aug. 26, 2009**

D496,653 S * 9/2004 Townsend et al. D14/240
D515,039 S * 2/2006 Ingalsbe et al. D13/162
D557,674 S * 12/2007 Lee et al. D14/138 AB
D558,742 S * 1/2008 Koller et al. D14/225
D560,230 S * 1/2008 Yagi D14/496
D575,280 S * 8/2008 Marquez D14/240
D577,715 S * 9/2008 Lim et al. D14/240
D583,365 S * 12/2008 Suk et al. D14/240
D604,723 S * 11/2009 Bodley et al. D14/225
D607,440 S * 1/2010 Yamakawa et al. D14/225
D611,458 S * 3/2010 Li D14/225

* cited by examiner

Primary Examiner—Paula Greene

(30) **Foreign Application Priority Data**
May 29, 2009 (JP) 2009-012104
(51) **LOC (9) Cl.** **14-01**
(52) **U.S. Cl.** **D14/225**
(58) **Field of Classification Search** D14/225,
D14/226, 191, 218, 240, 137, 138 AB, 138 R;
D10/104, 106; D13/162; 273/148 B; 379/420.01,
379/420.02; 381/355; 455/575.3, 575.4
See application file for complete search history.

(57) **CLAIM**

The ornamental design for a wireless microphone, as shown and described.

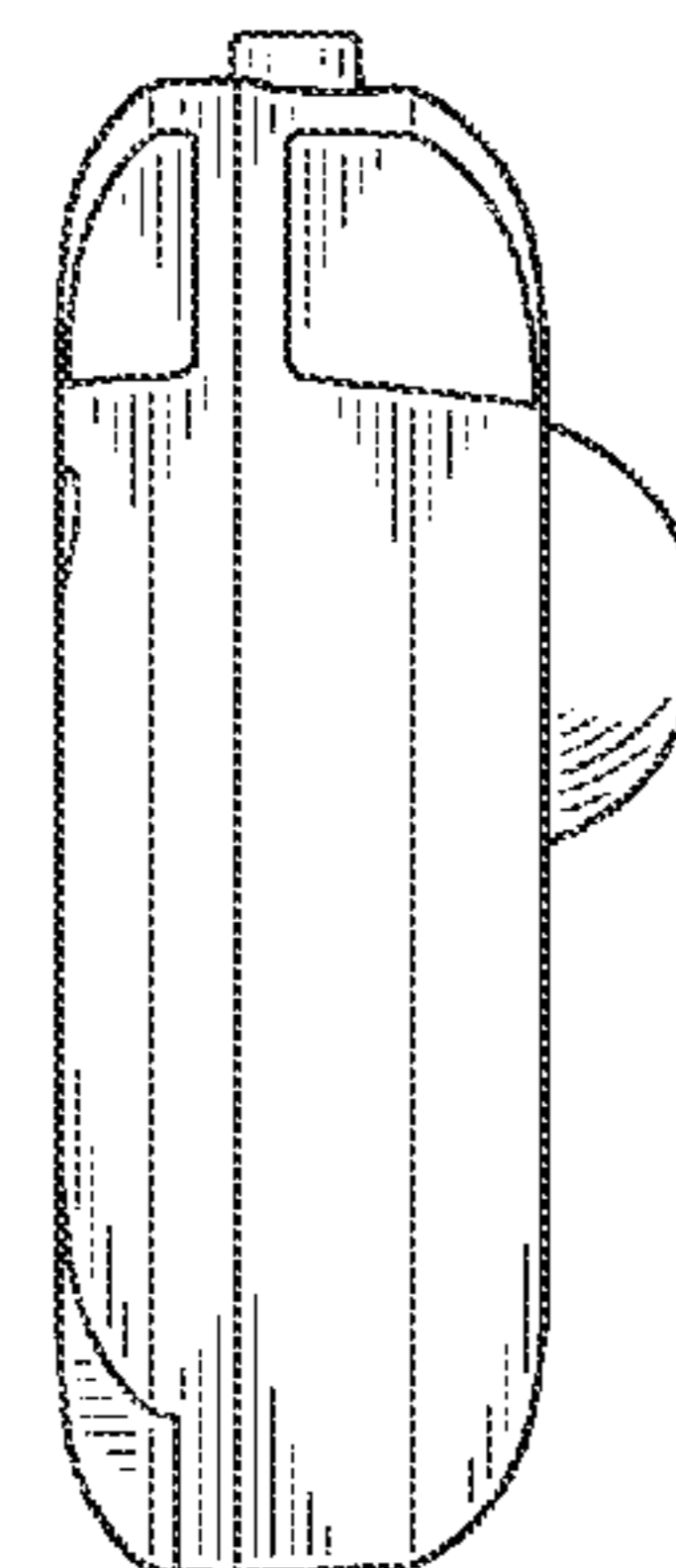
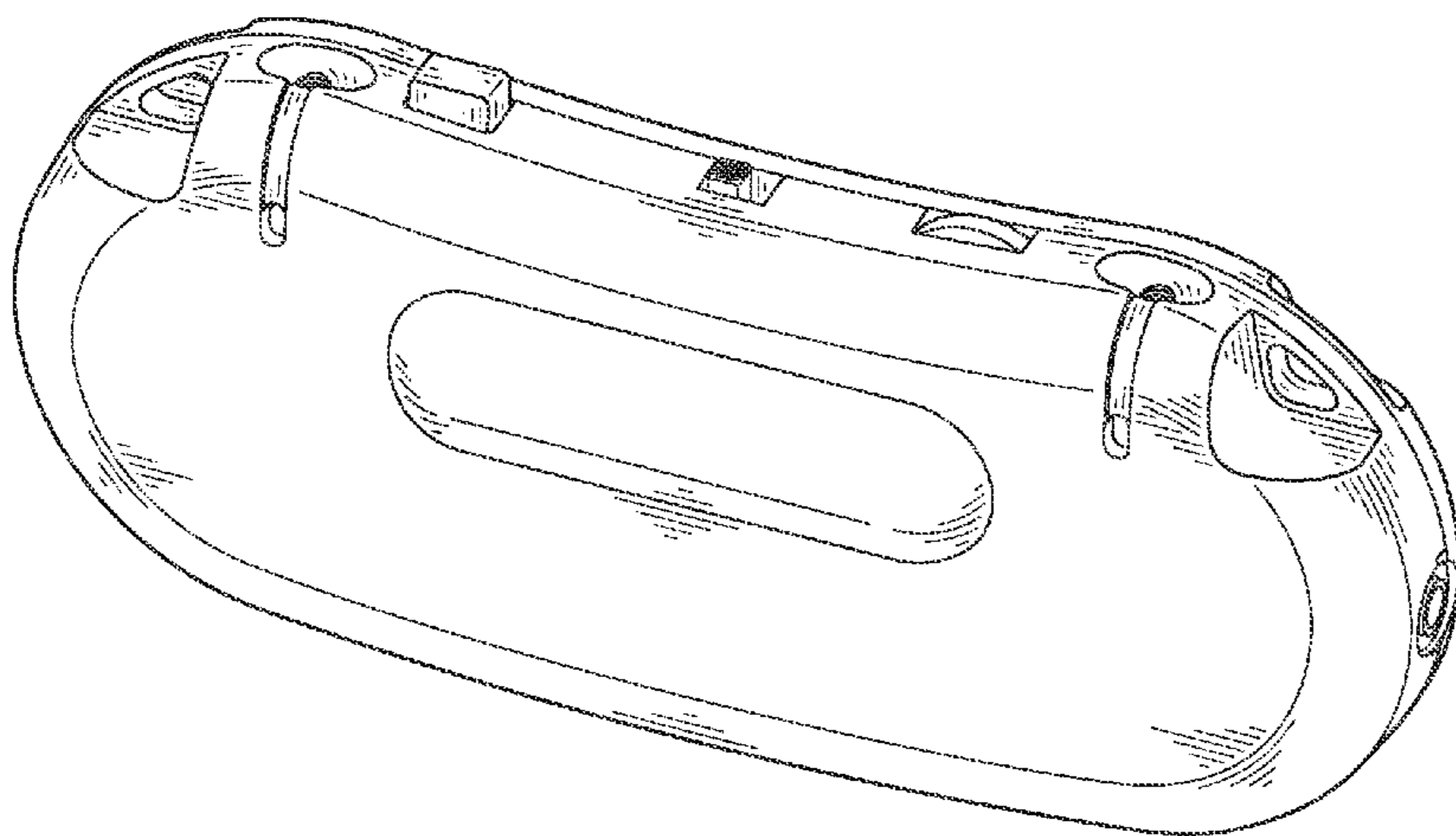
DESCRIPTION

FIG. 1 is a top front right perspective view of a wireless microphone showing our new design;
FIG. 2 is a top rear left perspective view thereof;
FIG. 3 is a front view thereof;
FIG. 4 is a rear view thereof,
FIG. 5 is a left side view thereof;
FIG. 6 is a right side view thereof;
FIG. 7 is a top view thereof; and,
FIG. 8 is a bottom view thereof.

The broken lines form no part of the claimed design.

(56) **References Cited**
U.S. PATENT DOCUMENTS
4,828,153 A * 5/1989 Guzik et al. 224/242
D325,913 S * 5/1992 Takahashi et al. D14/191
D326,094 S * 5/1992 Muraki et al. D14/191
D327,267 S * 6/1992 Scheid et al. D14/191
D338,012 S * 8/1993 Wall et al. D14/225
D358,816 S * 5/1995 Scheid D14/191
D392,643 S * 3/1998 Hartman D14/226
D493,790 S * 8/2004 Wu D14/348
D496,030 S * 9/2004 Harbeke D14/225

1 Claim, 4 Drawing Sheets



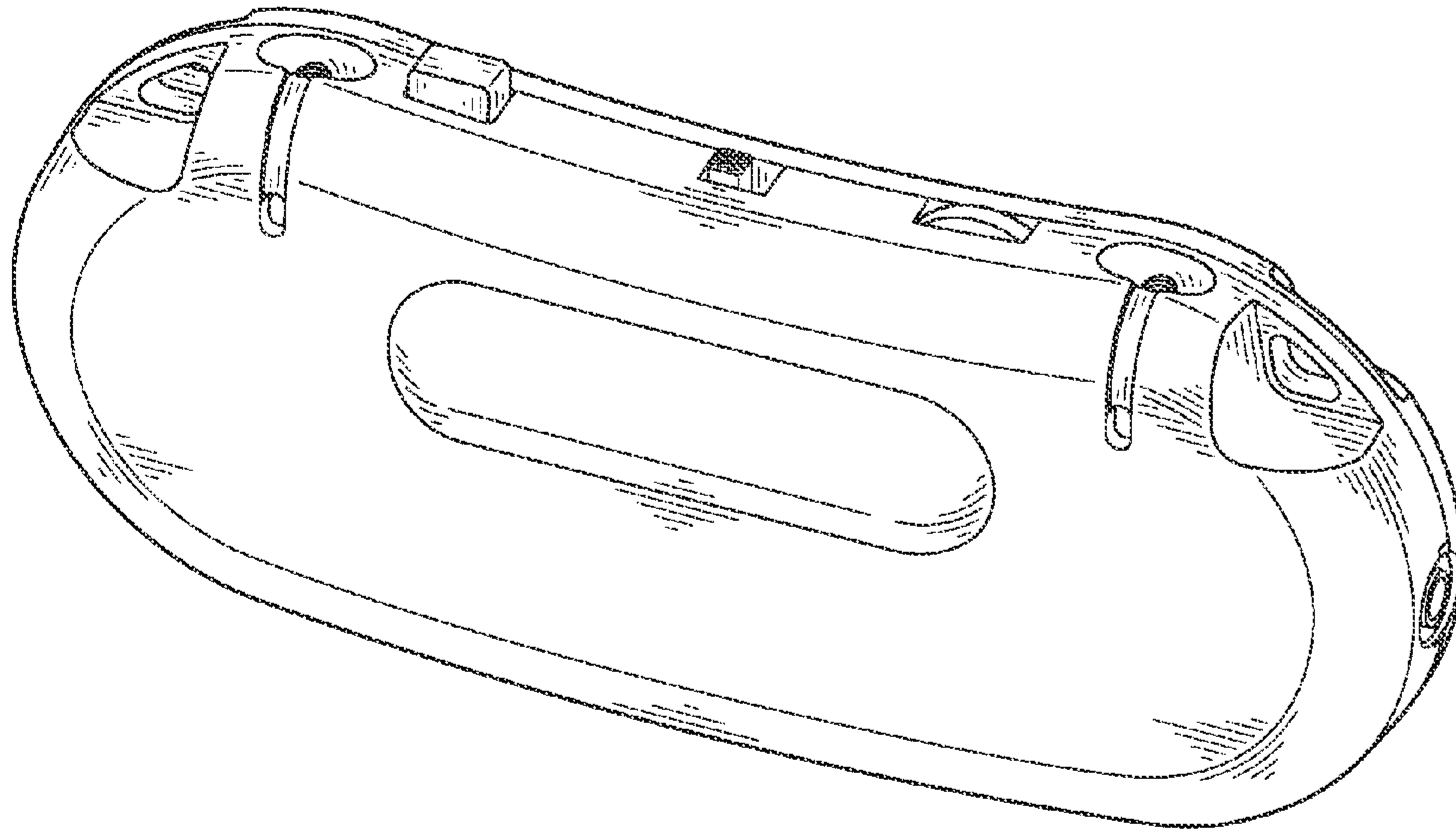


FIG. 1

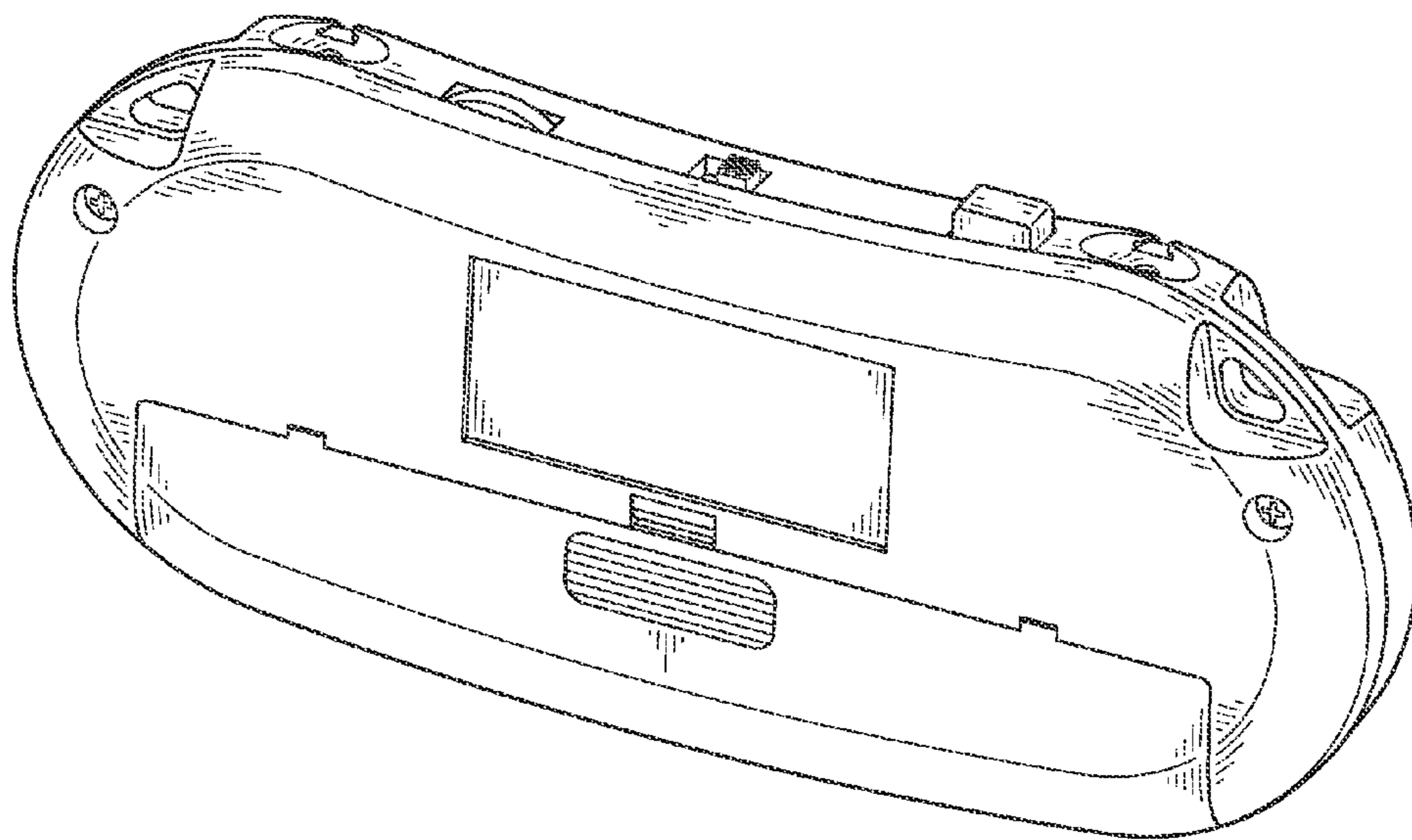


FIG. 2

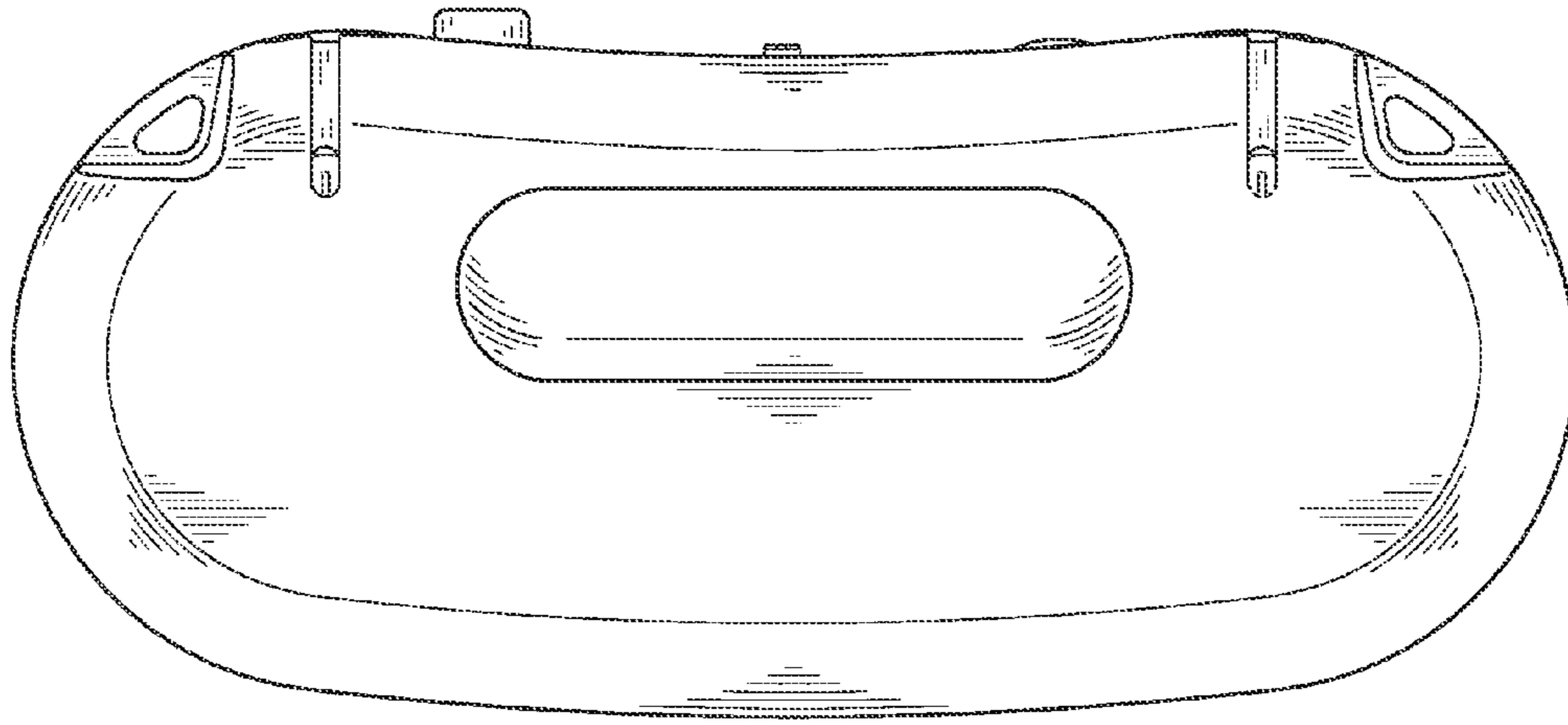


FIG. 3

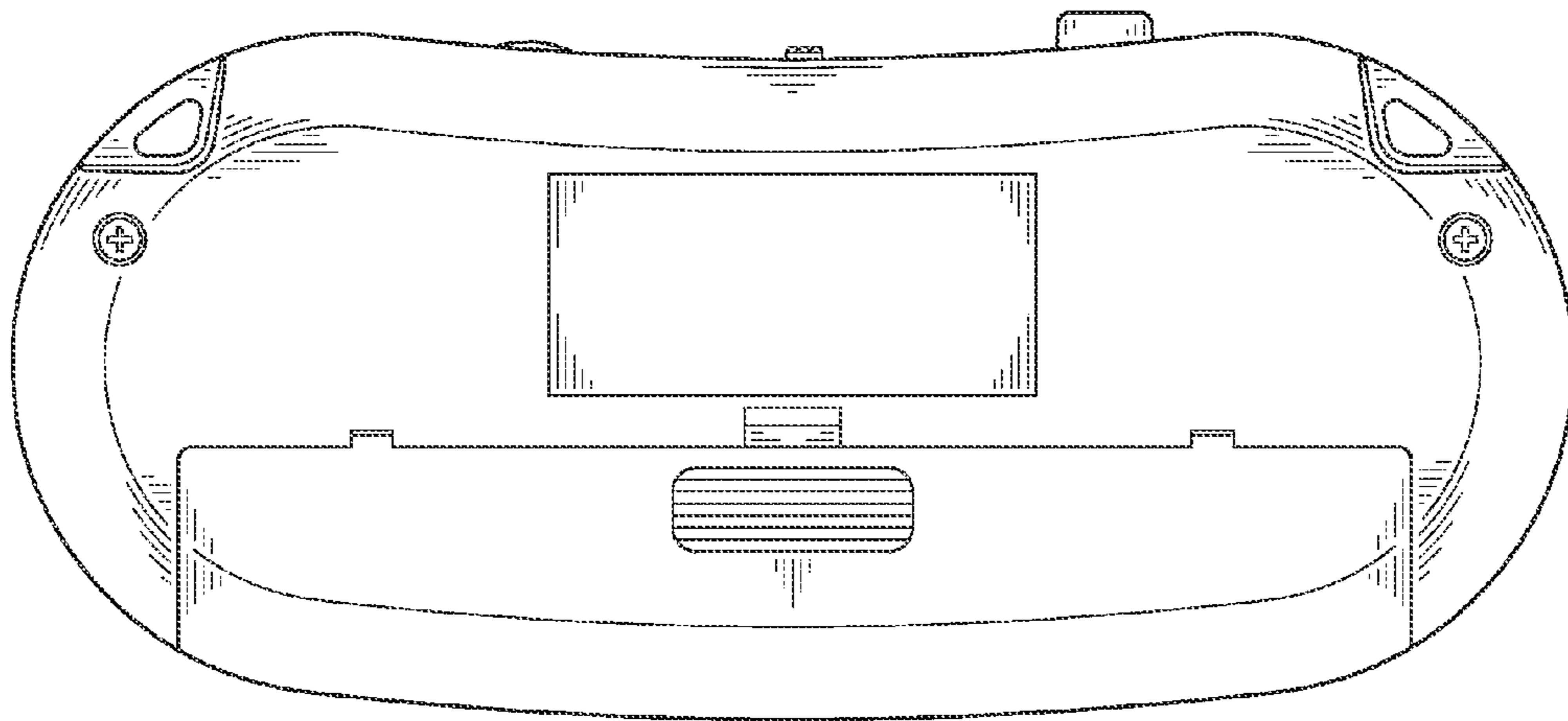


FIG. 4

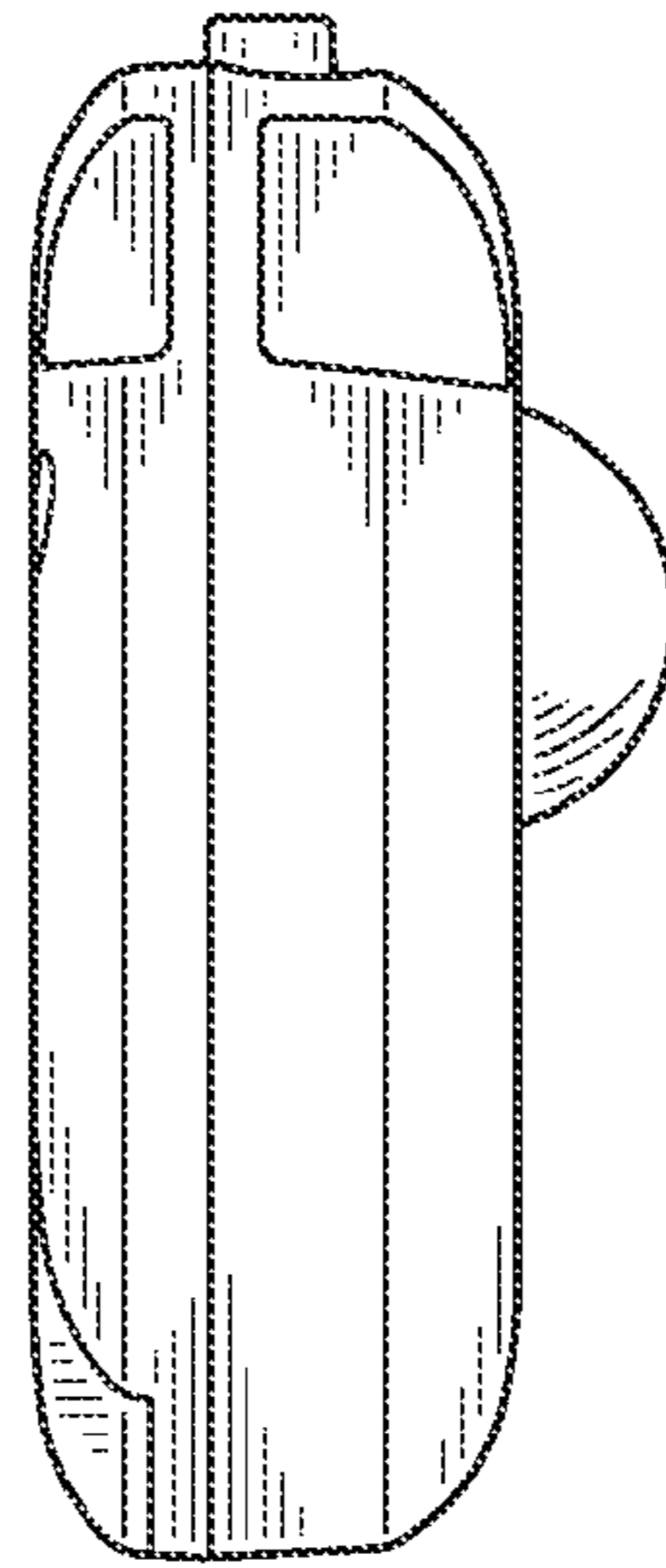


FIG. 5

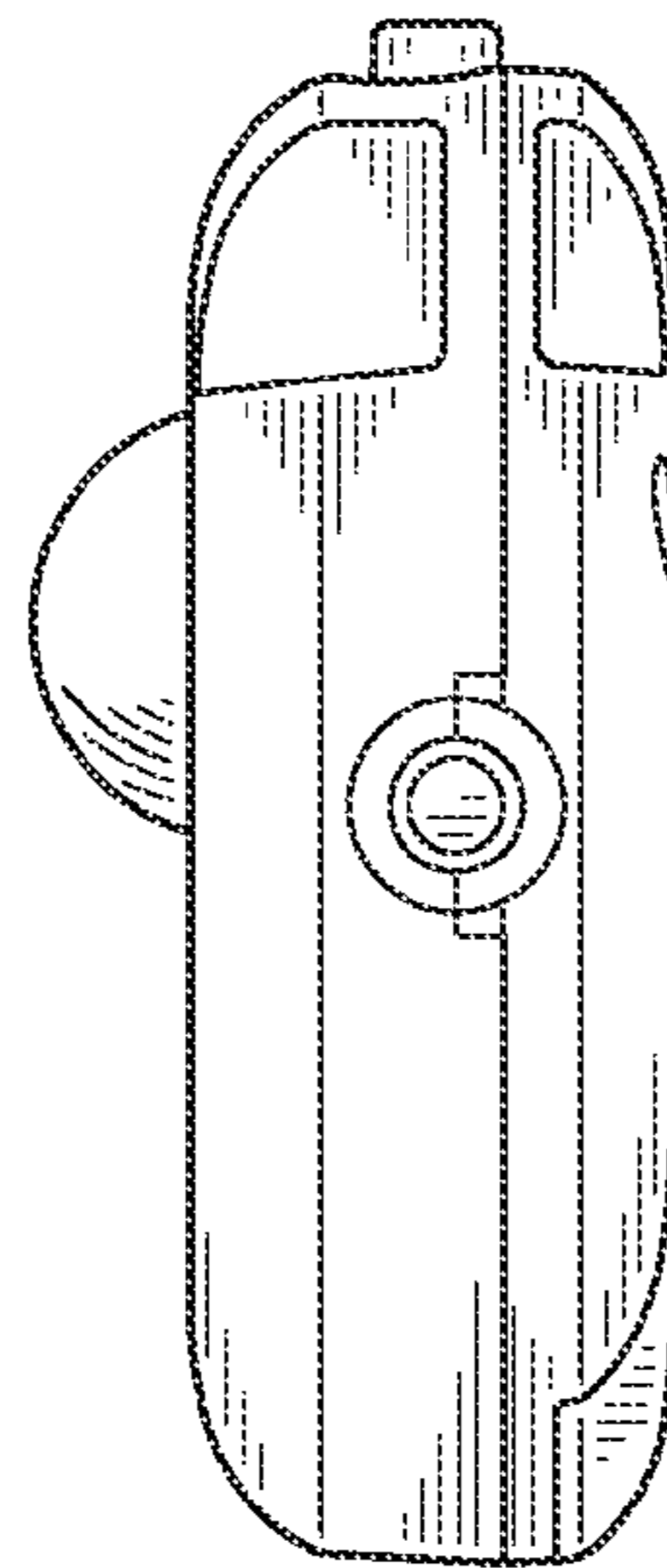


FIG. 6

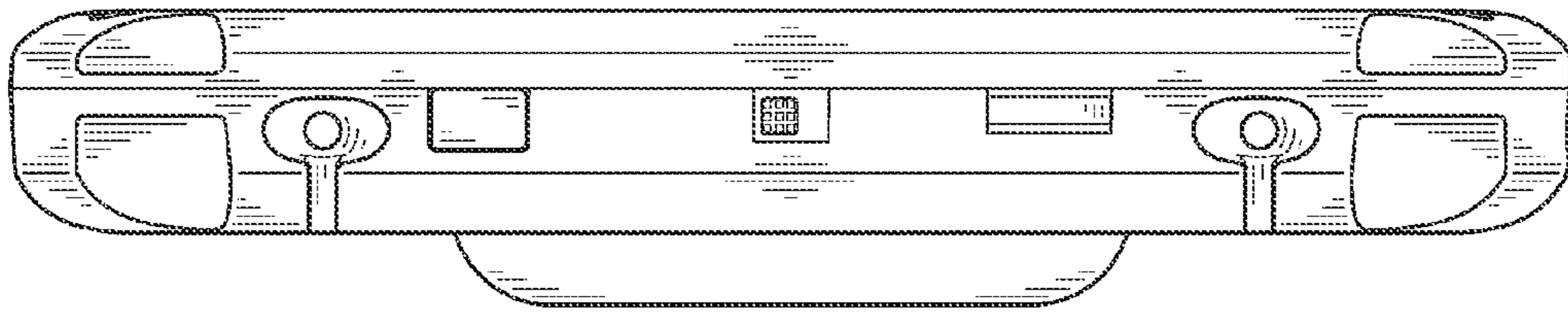


FIG. 7

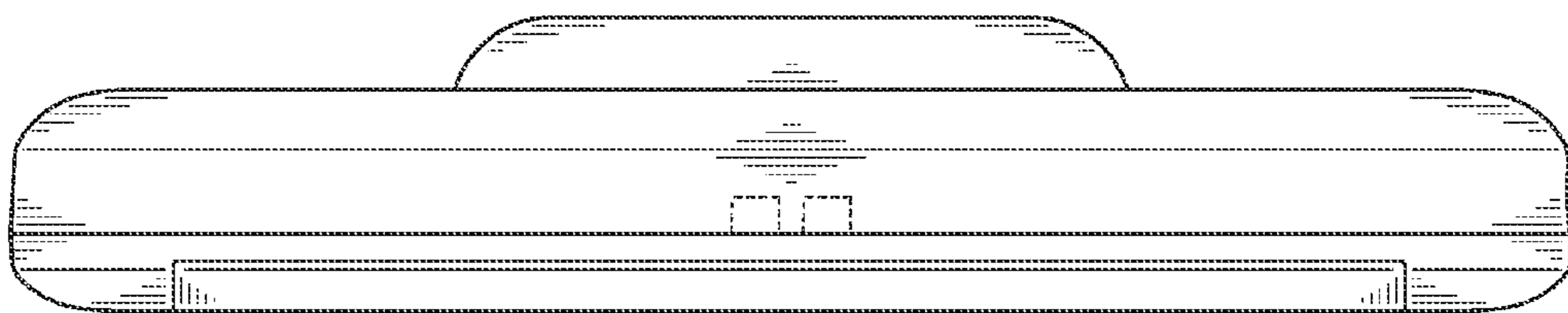


FIG. 8