



US00D617314S

(12) **United States Design Patent**
Zha

(10) **Patent No.:** **US D617,314 S**
(45) **Date of Patent:** **** Jun. 8, 2010**

(54) **LOUDSPEAKER**

(75) Inventor: **Yan Hui Zha**, Shanghai (CN)

(73) Assignee: **Creative Technology Ltd**, Singapore (SG)

(**) Term: **14 Years**

(21) Appl. No.: **29/343,032**

(22) Filed: **Sep. 4, 2009**

(51) **LOC (9) Cl.** **14-01**

(52) **U.S. Cl.** **D14/216**

(58) **Field of Classification Search** D14/204,
D14/207, 209, 209.1, 210–216, 172; 181/143–144,
181/147–148, 150–153, 157, 198–199; 381/300–303,
381/306, 332–333, 336, 345, 361–364, 386–388
See application file for complete search history.

(56) **References Cited**

U.S. PATENT DOCUMENTS

- D315,562 S * 3/1991 Brown D14/216
- D349,499 S * 8/1994 Collins D14/216
- D521,982 S * 5/2006 Schafernak et al. D14/216
- D560,209 S * 1/2008 Kim et al. D14/215

D591,269 S * 4/2009 Kim et al. D14/216
* cited by examiner

Primary Examiner—Nanda Bondade

(57) **CLAIM**

The ornamental design for a loudspeaker, substantially as shown and described.

DESCRIPTION

FIG. 1 is a front perspective view of the loudspeaker in accordance with the present design;

FIG. 2 is a back perspective view of the loudspeaker shown in FIG. 1;

FIG. 3 is a front view of the loudspeaker shown in FIG. 1;

FIG. 4 is a back view of the loudspeaker shown in FIG. 1;

FIG. 5 is a left view of the loudspeaker shown in FIG. 1;

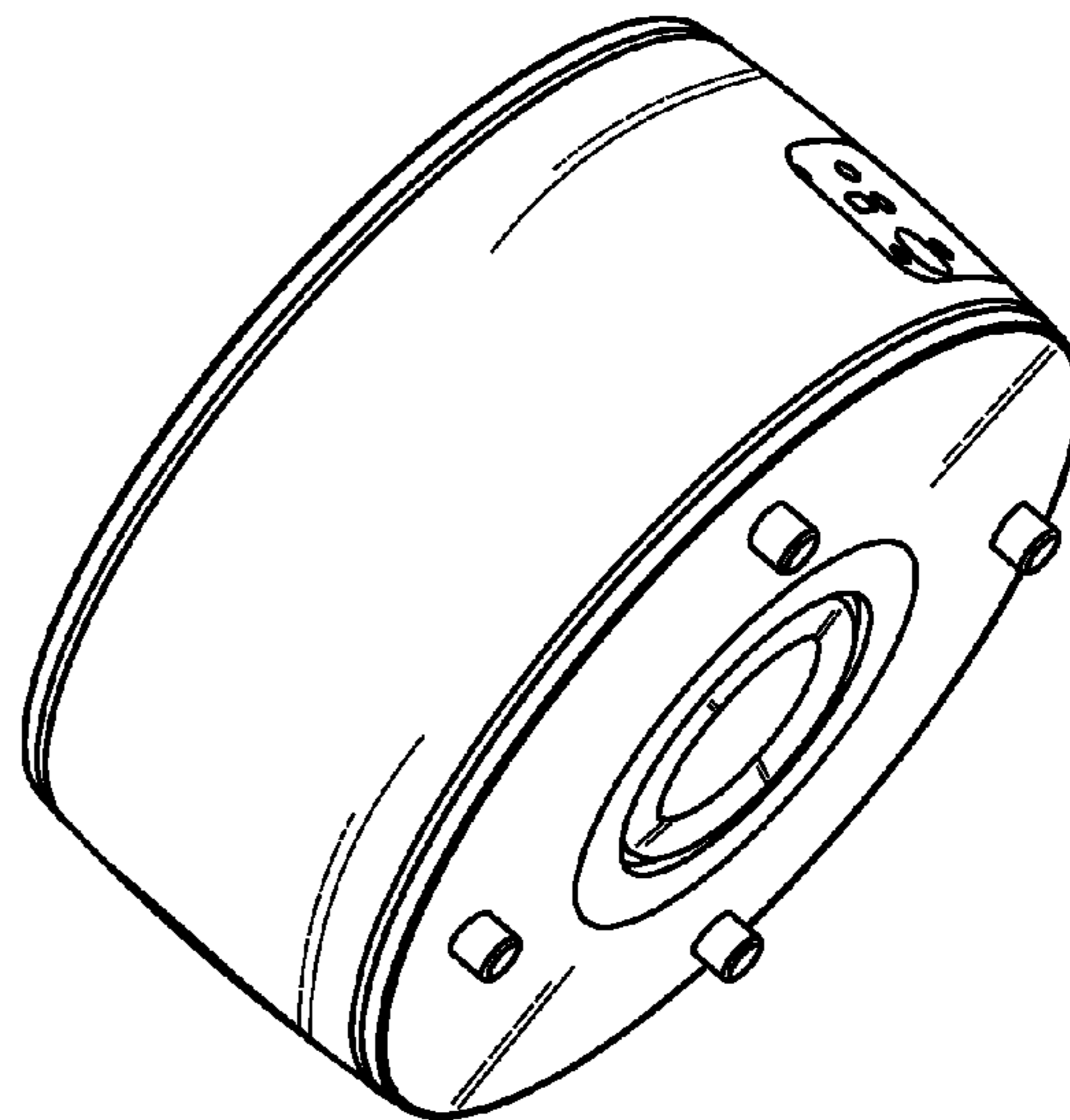
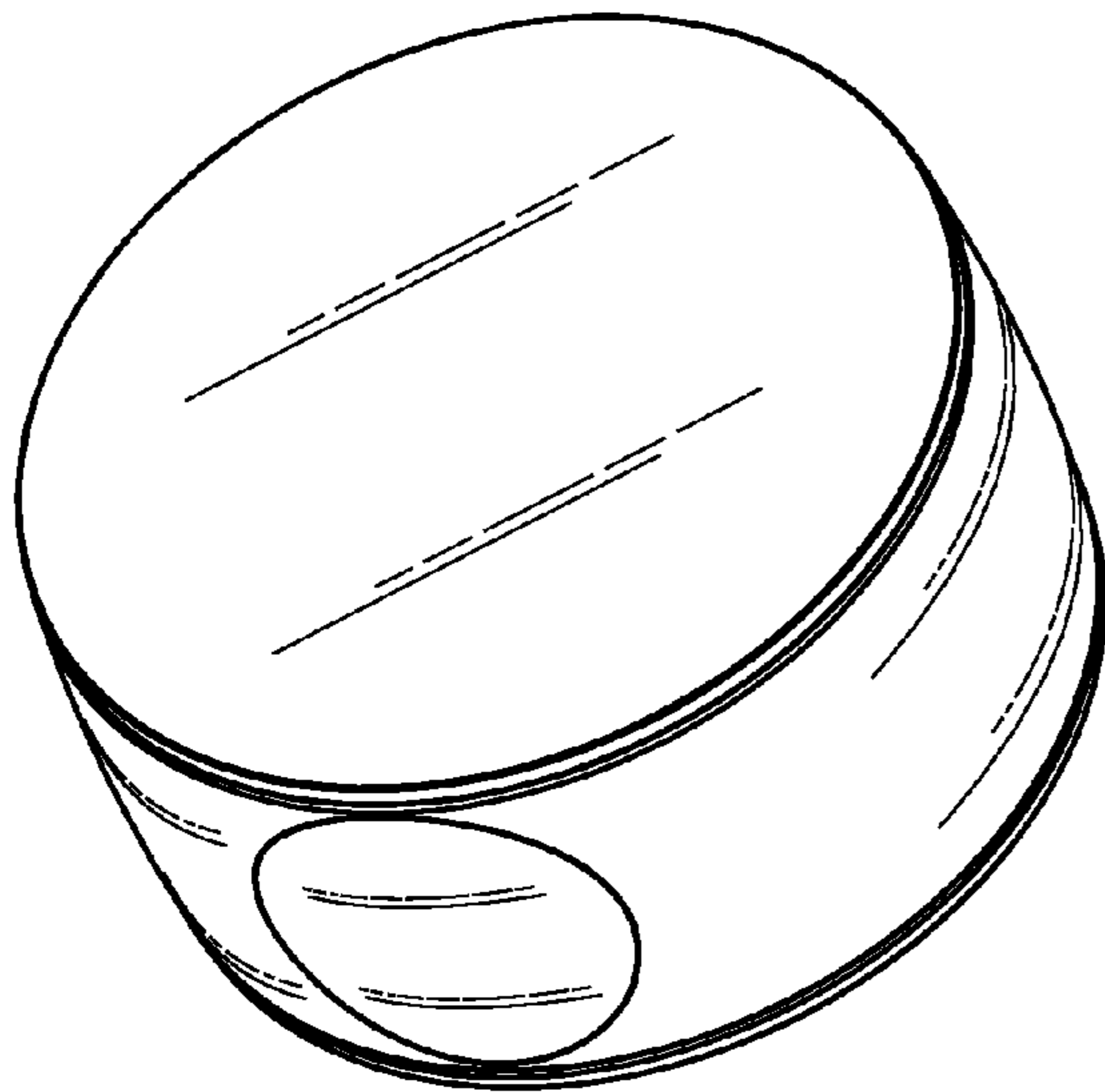
FIG. 6 is a right view of the loudspeaker shown in FIG. 1;

FIG. 7 is a top view of the loudspeaker shown in FIG. 1; and,

FIG. 8 is a bottom view of the loudspeaker shown in FIG. 1.

Features indicated in phantom (broken line) are for illustrative purposes only and form no part of the claimed design.

1 Claim, 4 Drawing Sheets



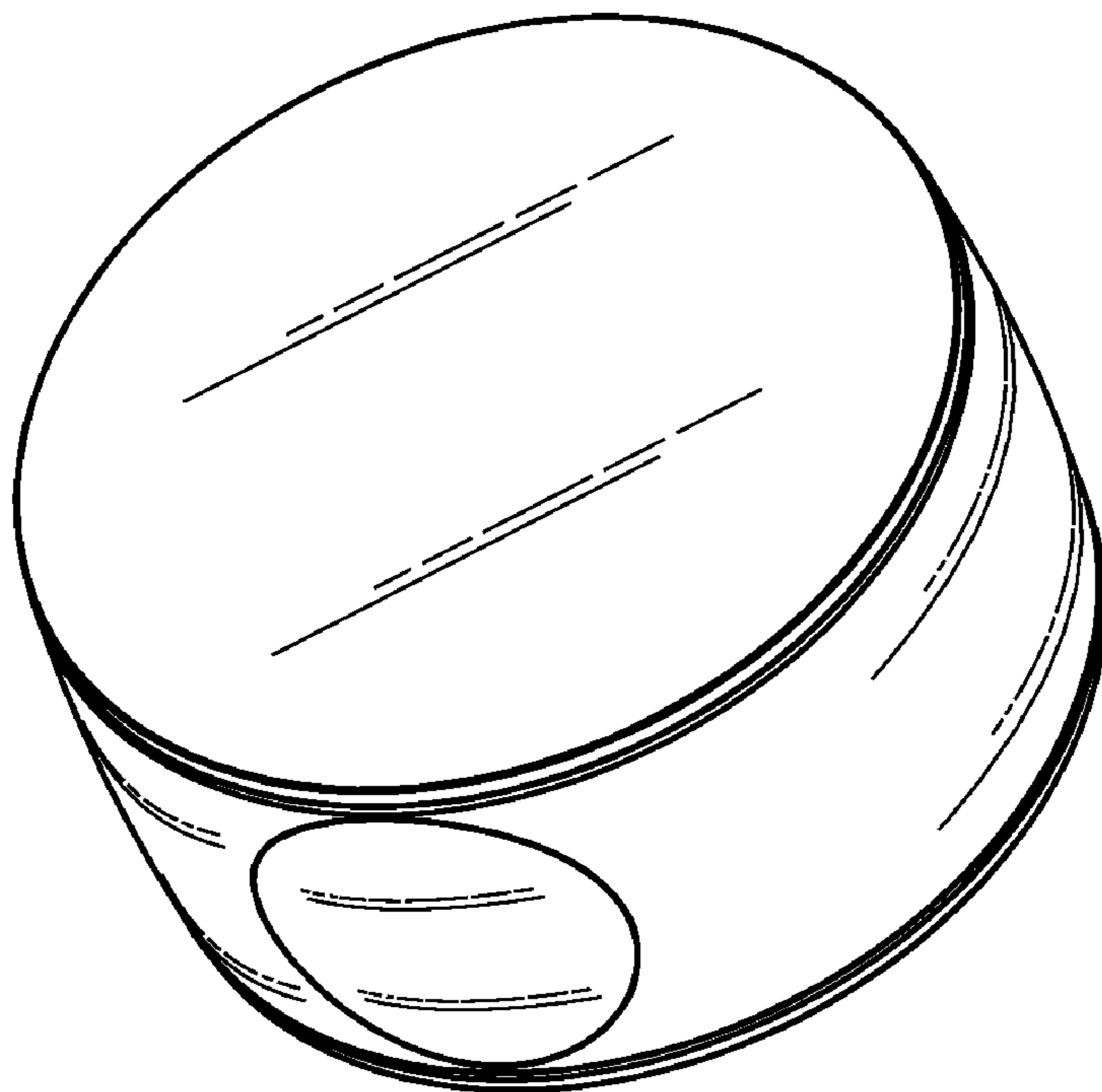


FIG. 1

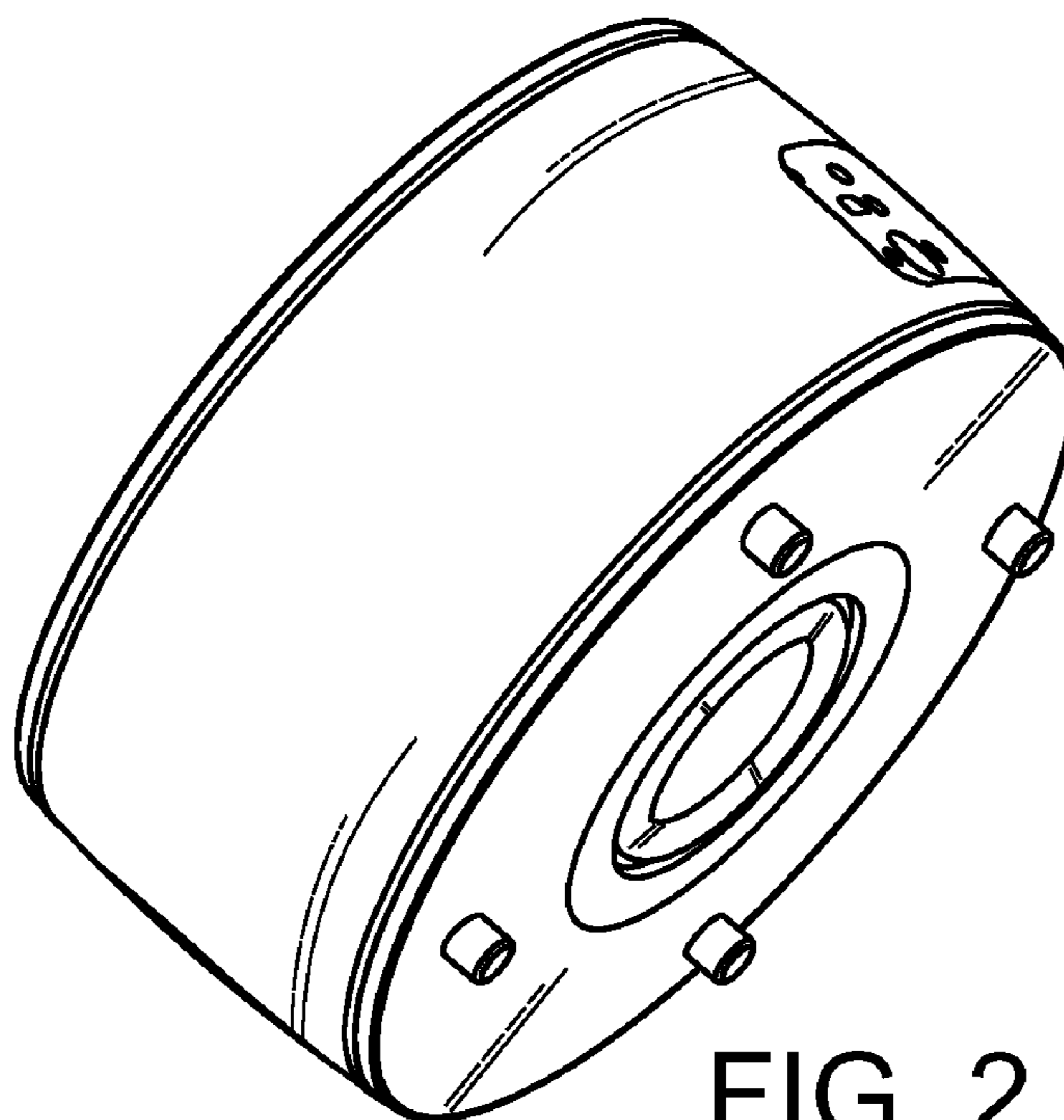


FIG. 2

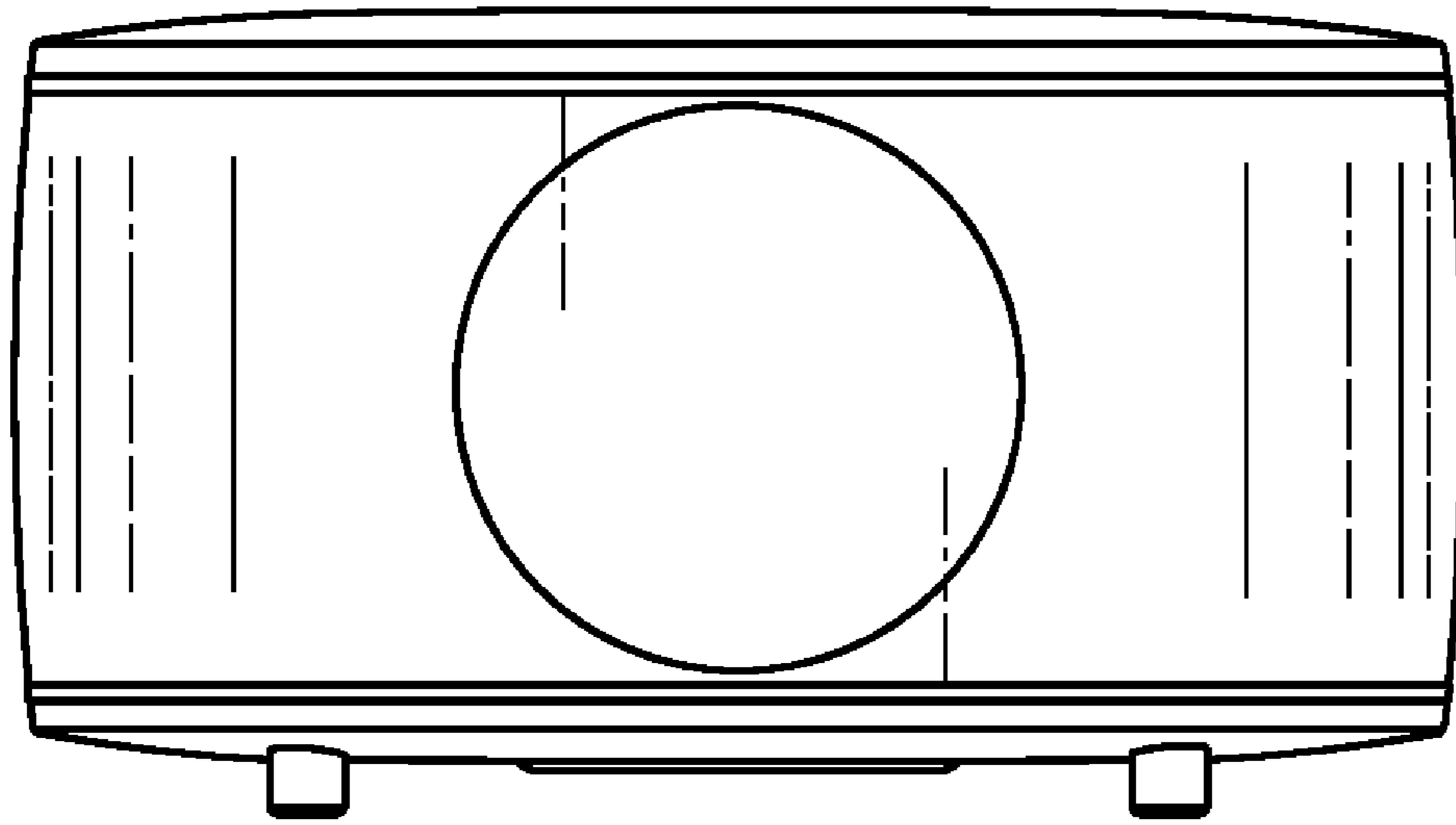


FIG. 3

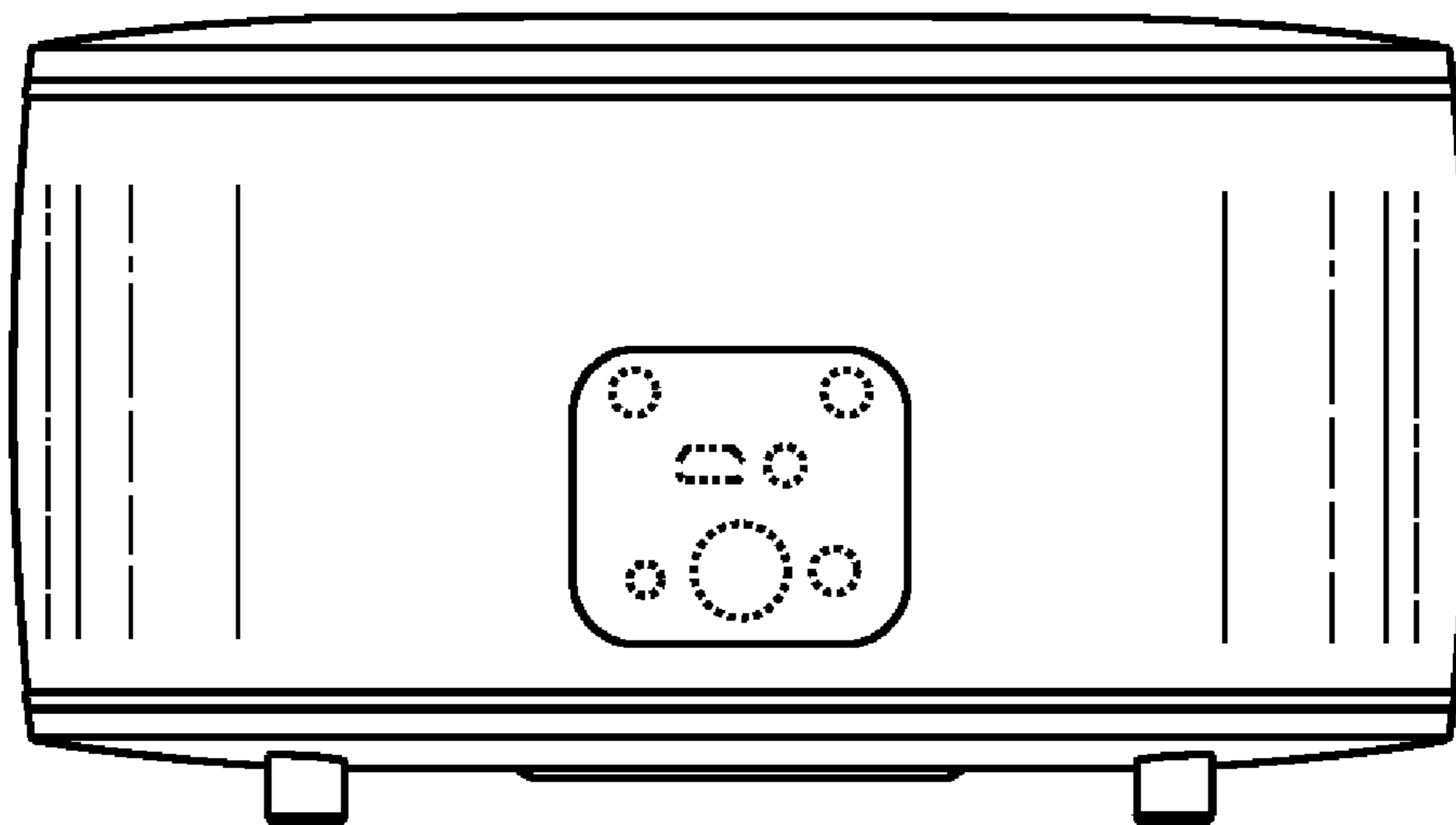


FIG. 4

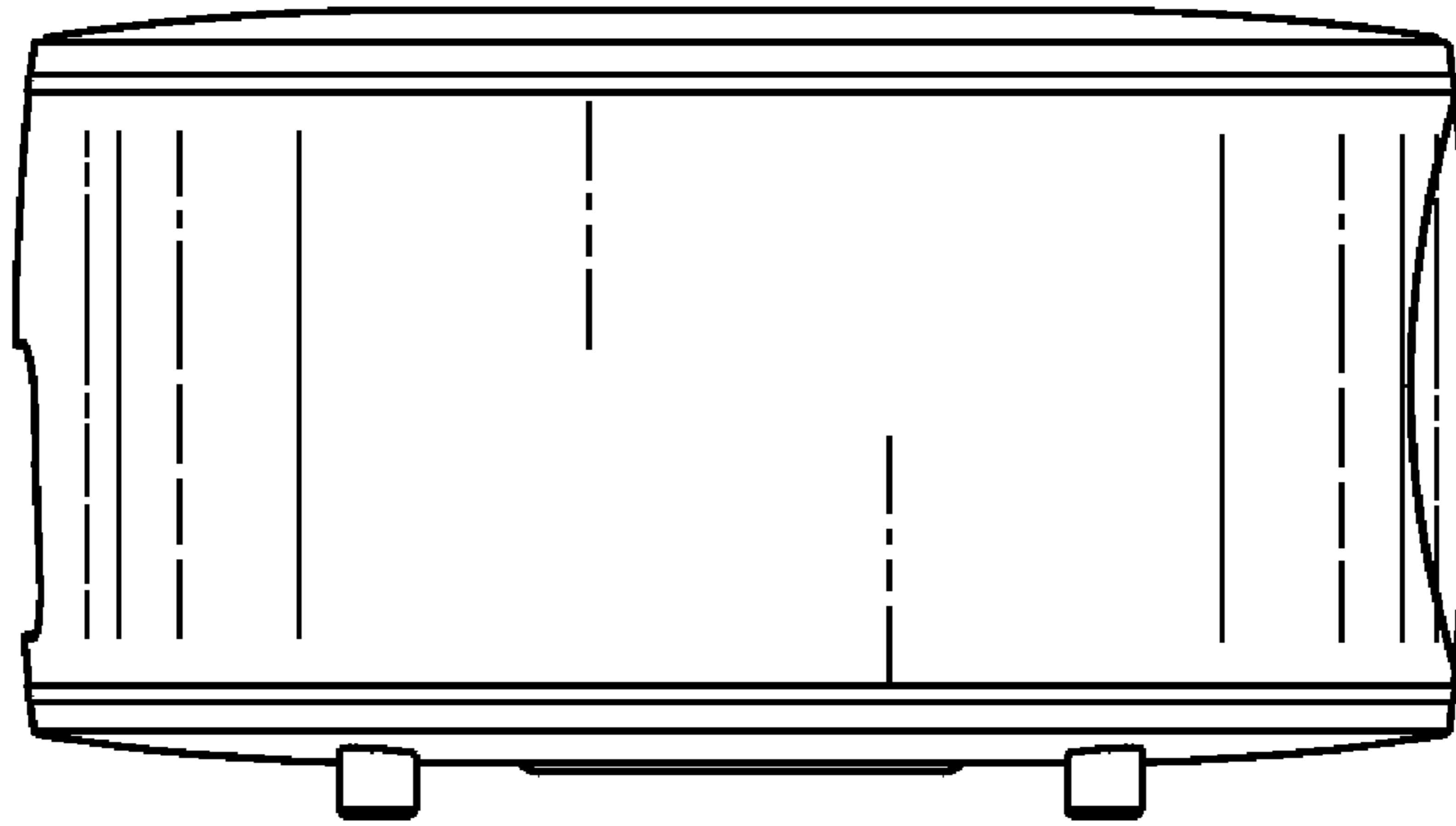


FIG. 5

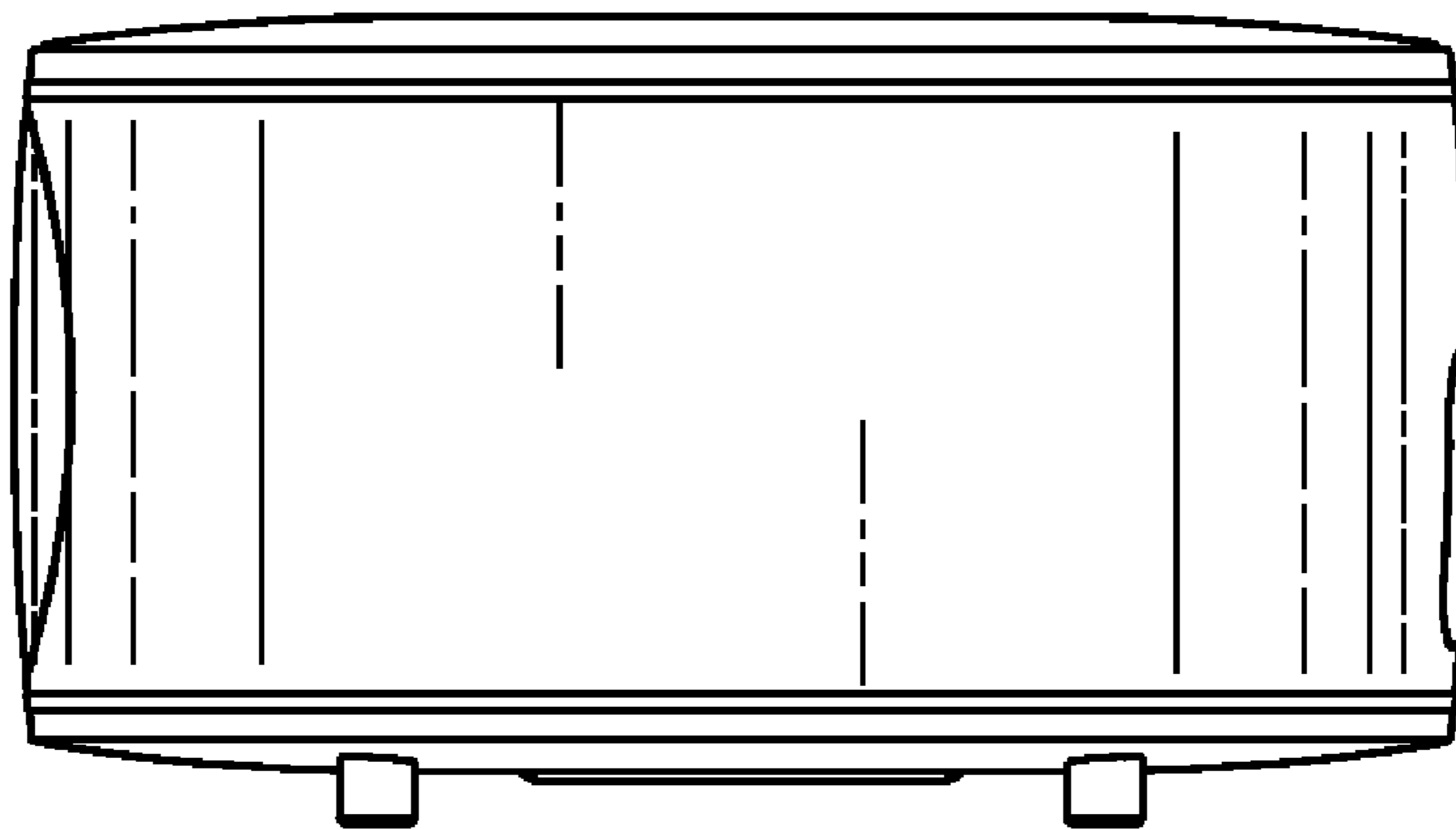


FIG. 6

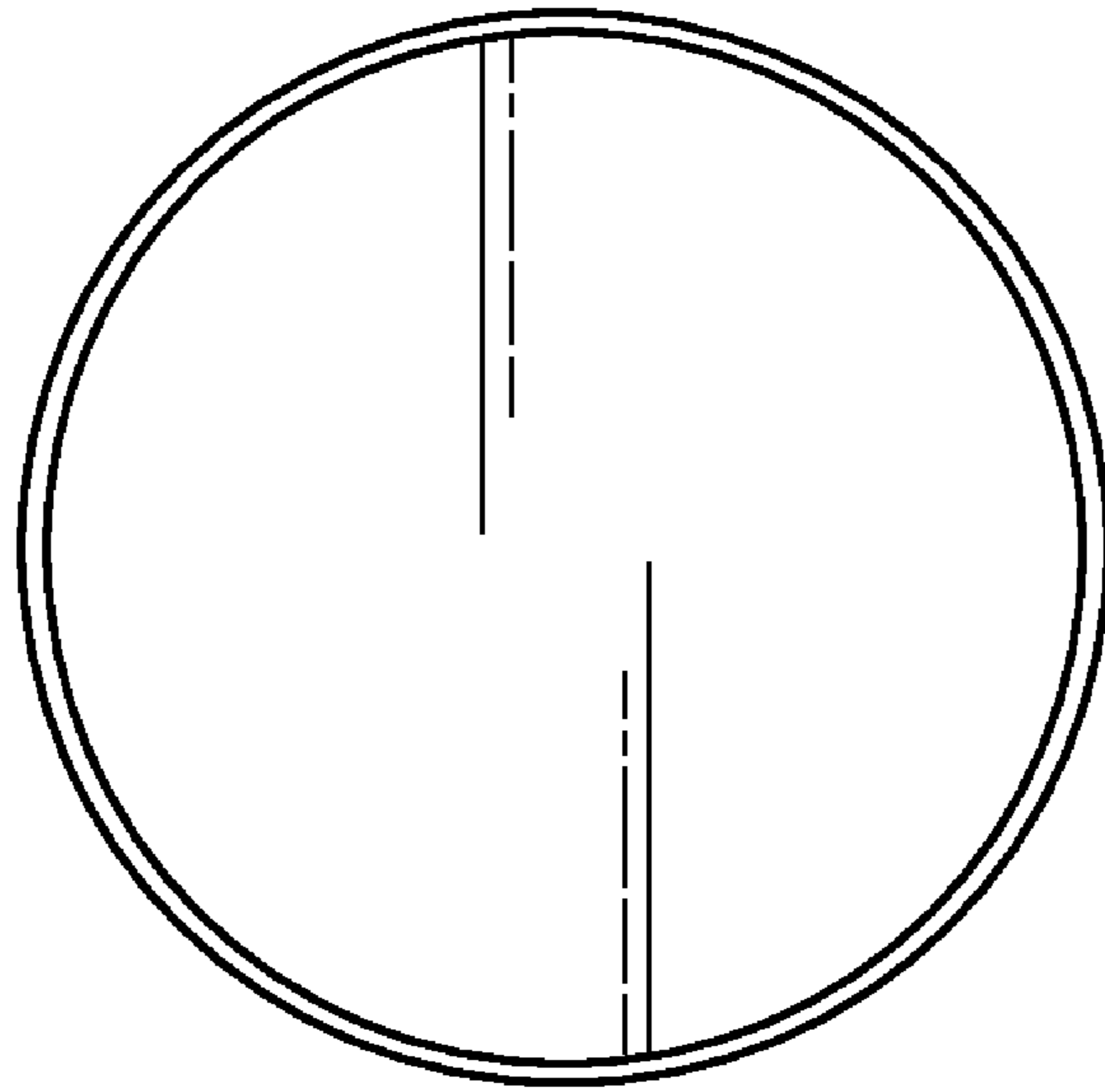


FIG. 7

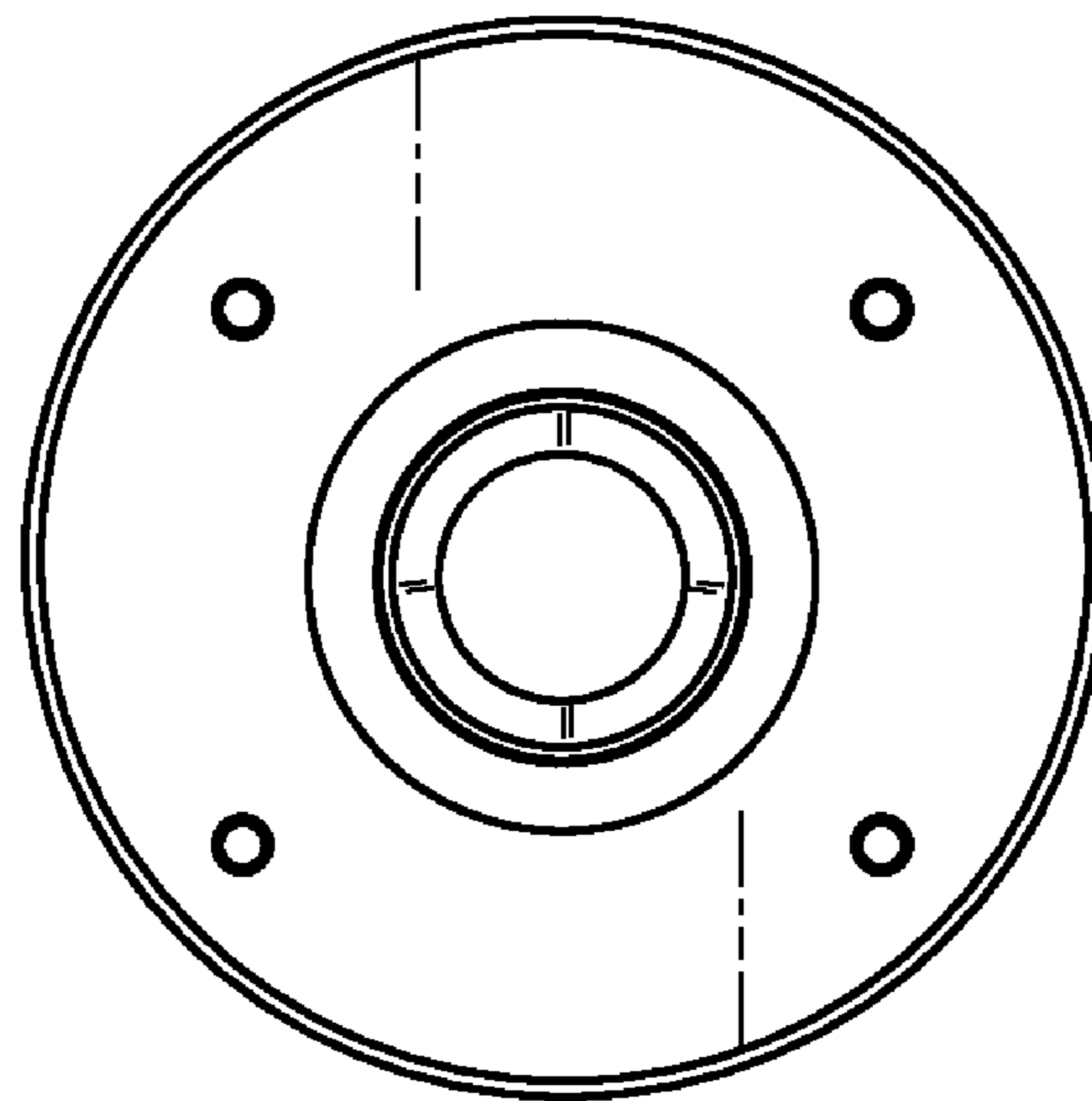


FIG. 8