



US00D617310S

(12) **United States Design Patent**  
**Tatara et al.**

(10) **Patent No.:** **US D617,310 S**  
(45) **Date of Patent:** **\*\* Jun. 8, 2010**

(54) **CEILING-MOUNTED SPEAKER**

D517,046 S \* 3/2006 Lam et al. .... D14/209  
D547,484 S \* 7/2007 Guercio ..... D26/89

(75) Inventors: **Yoshihiro Tatara**, Nagano-ken (JP);  
**Fumio Yuzawa**, Nagano-ken (JP)

\* cited by examiner

(73) Assignee: **Seiko Epson Corporation**, Tokyo (JP)

*Primary Examiner*—Nanda Bondade

(\*\*) Term: **14 Years**

(57) **CLAIM**

(21) Appl. No.: **29/342,536**

The ornamental design for a ceiling-mounted speaker, as shown and described.

(22) Filed: **Aug. 26, 2009**

**DESCRIPTION**

(30) **Foreign Application Priority Data**

May 29, 2009 (JP) ..... 2009-012103

FIG. 1 is a bottom front right side perspective view of a ceiling-mounted speaker showing the new design.

(51) **LOC (9) Cl.** ..... **14-01**

FIG. 2 is a top front right side perspective view thereof.

(52) **U.S. Cl.** ..... **D14/209**

FIG. 3 is a front view thereof.

(58) **Field of Classification Search** ..... D14/204,  
D14/207, 209, 214; 181/143–144, 147–148,  
181/150–153, 157, 198–199; 381/300–303,  
381/306, 332–333, 336, 345, 361–364, 386–388,  
381/395; D26/85, 88–89, 91; 362/20

FIG. 4 is a rear view thereof.

FIG. 5 is a left side view thereof.

See application file for complete search history.

FIG. 6 is a right side view thereof.

FIG. 7 is a top view thereof.

FIG. 8 is a bottom view thereof; and,

FIG. 9 is a bottom front right side perspective view thereof.

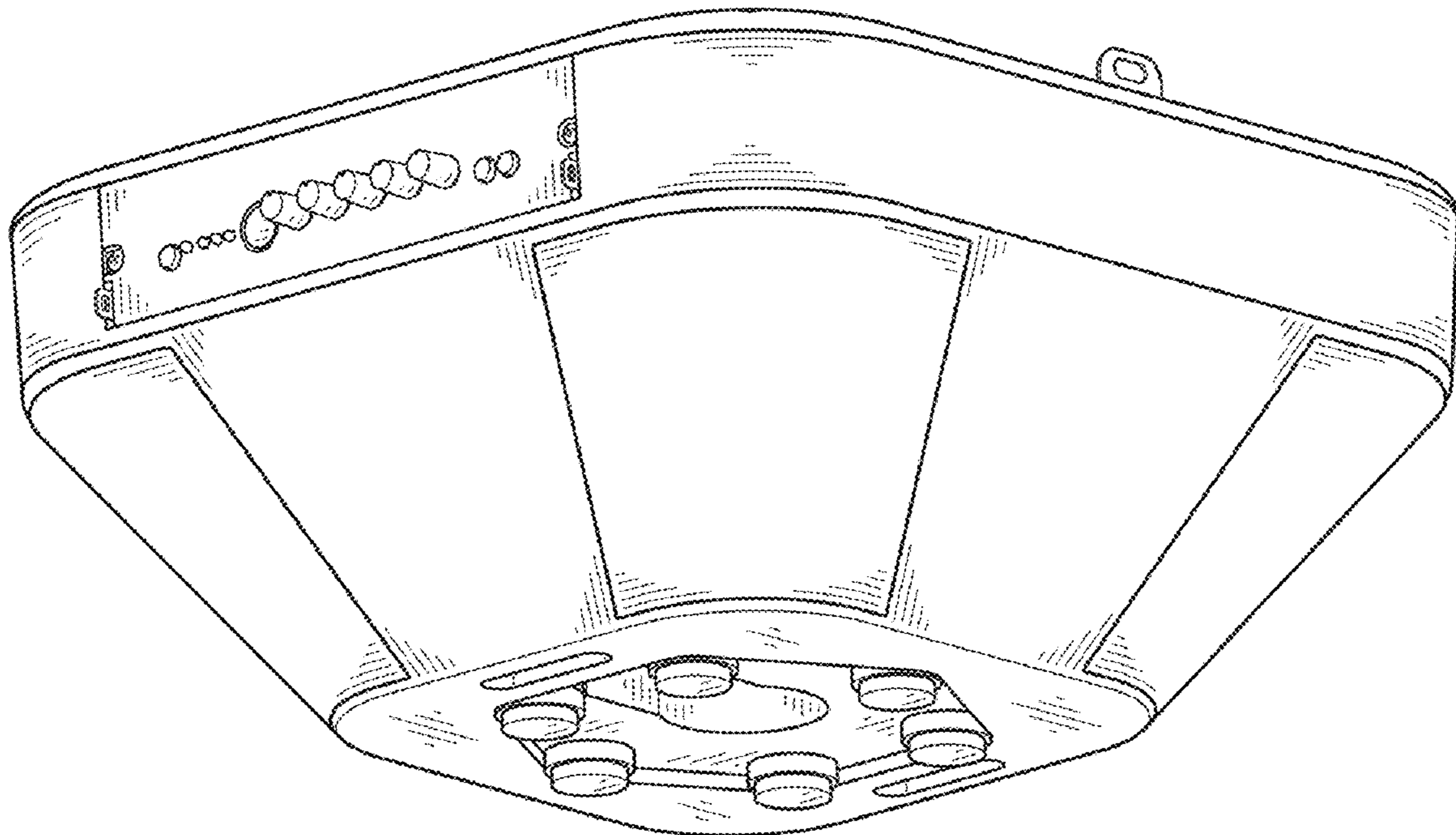
The broken line showing of exemplary unclaimed environmental structures in FIG. 9 is included for illustrative purposes only and forms no part of the claimed design.

(56) **References Cited**

**U.S. PATENT DOCUMENTS**

D202,899 S \* 11/1965 Charlton ..... D14/209  
4,071,749 A \* 1/1978 Balogh ..... 362/20  
D329,646 S \* 9/1992 Stone ..... D14/209

**1 Claim, 5 Drawing Sheets**



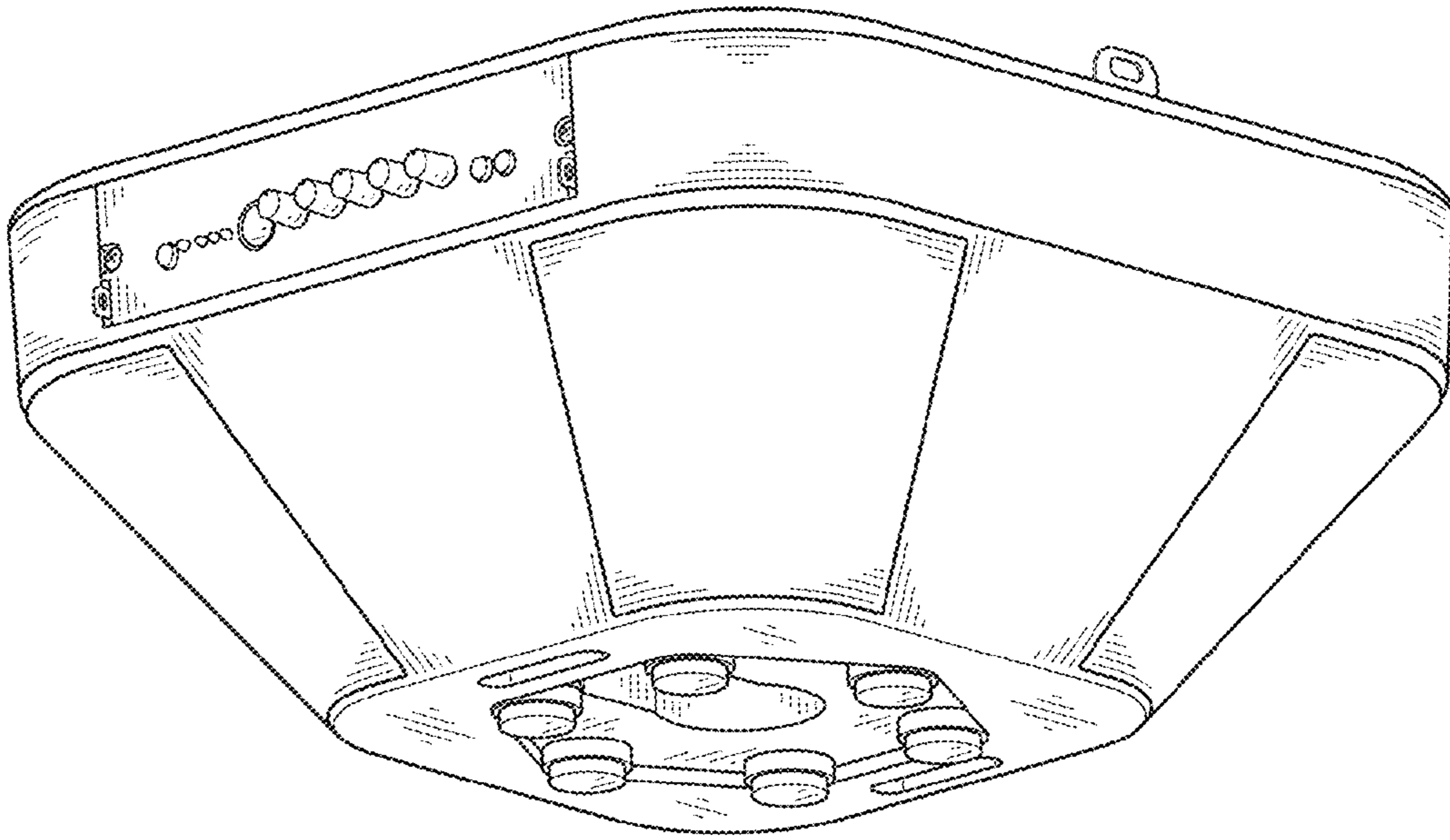


FIG. 1

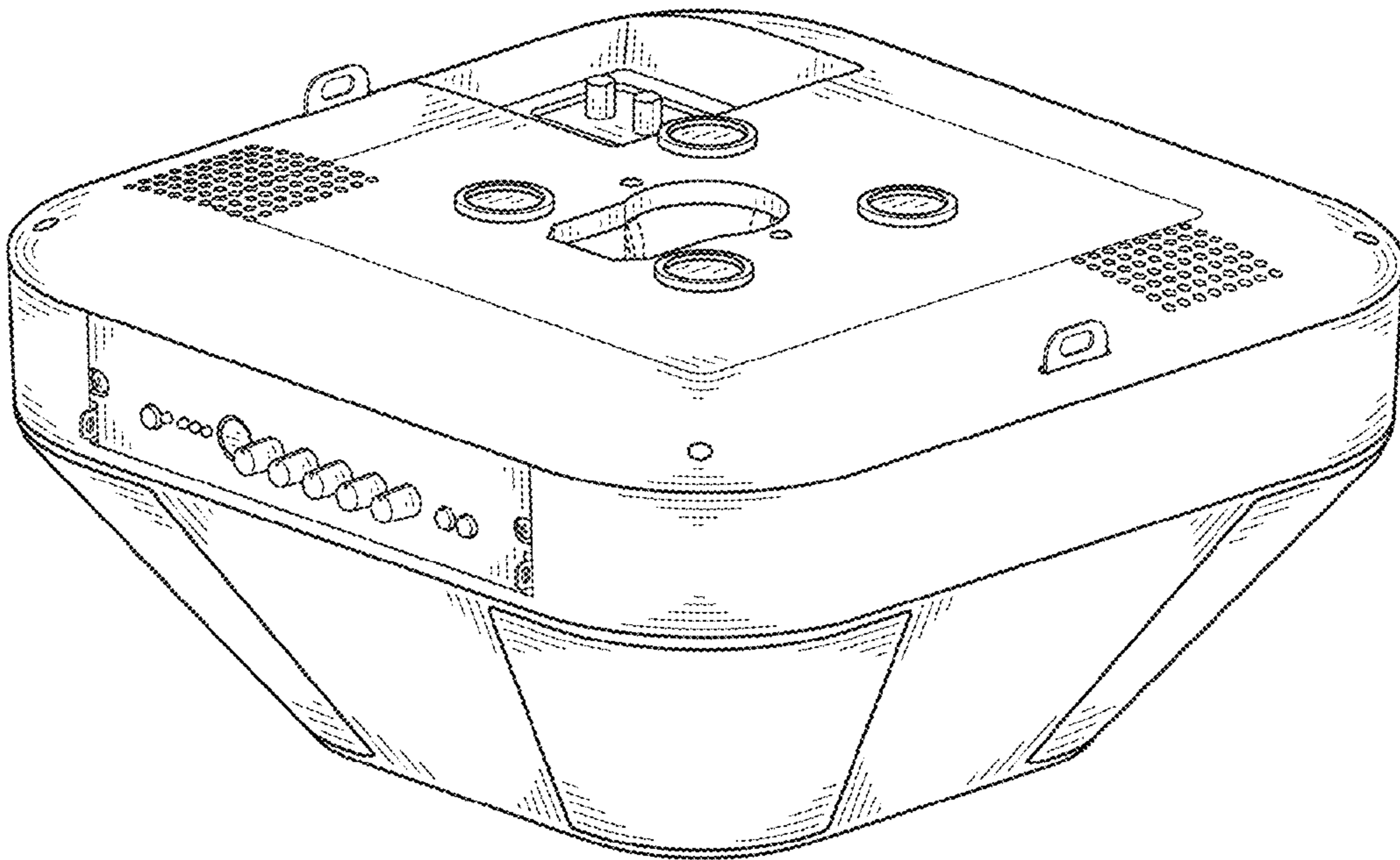


FIG. 2

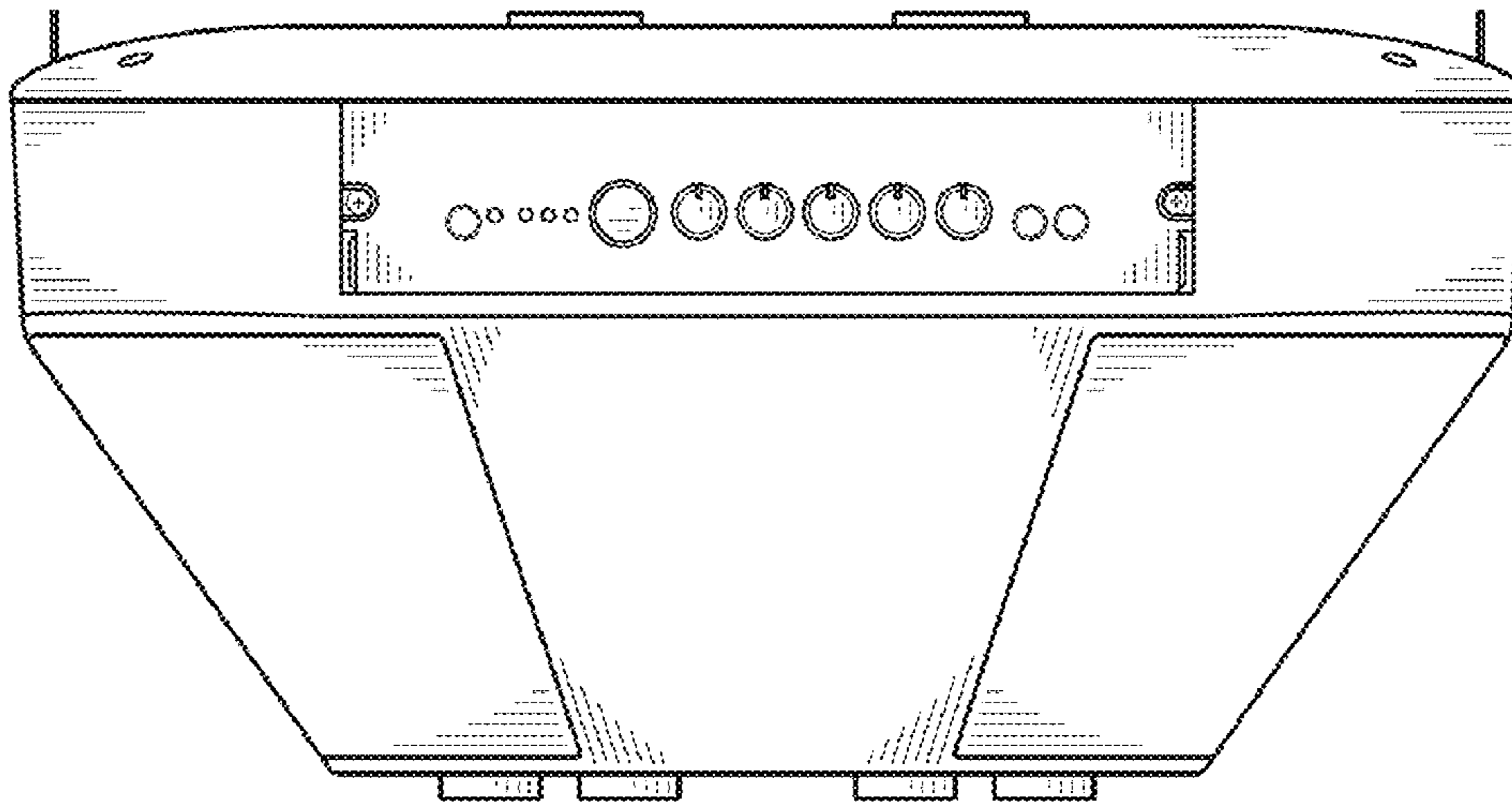


FIG. 3

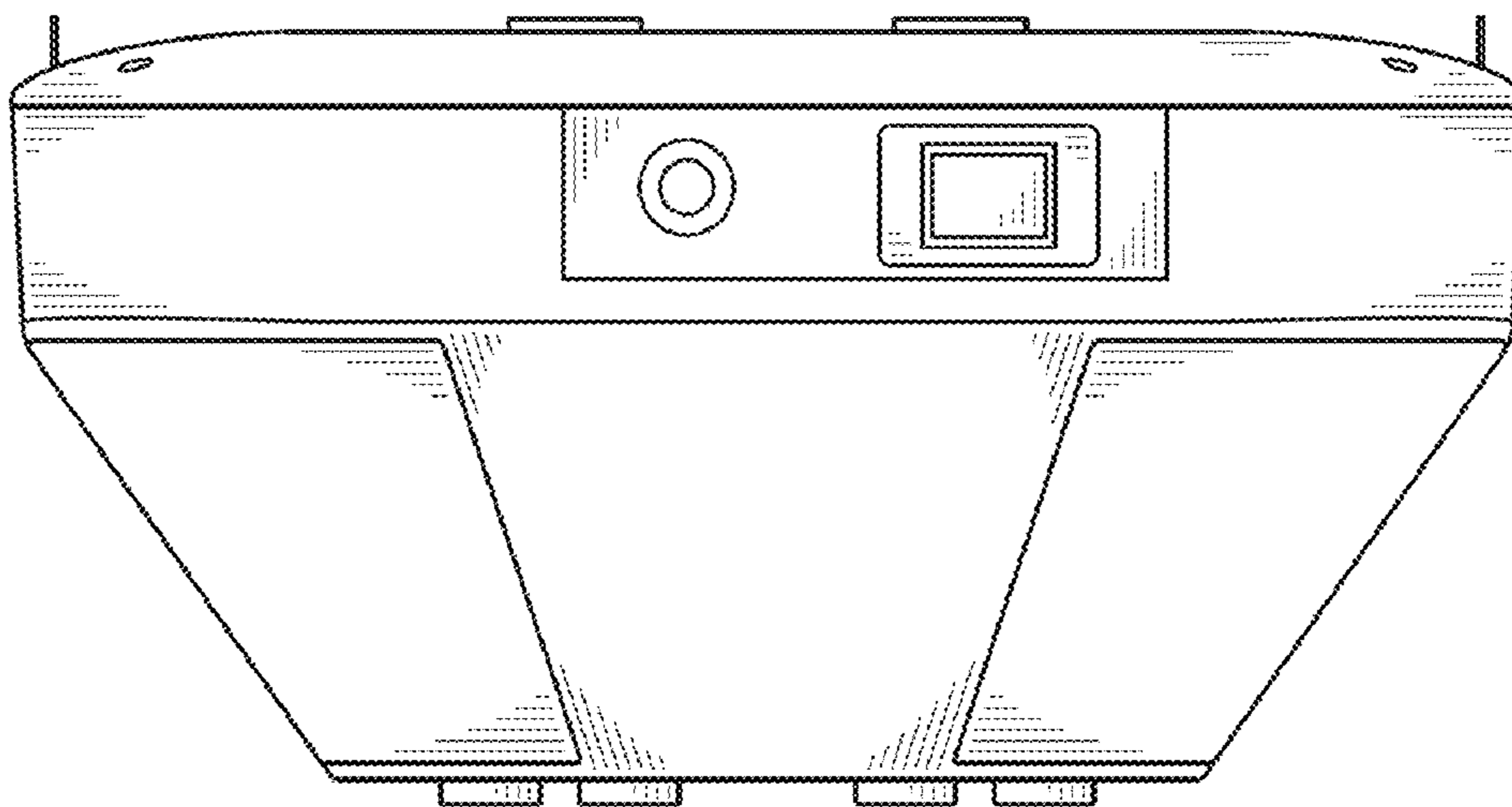


FIG. 4

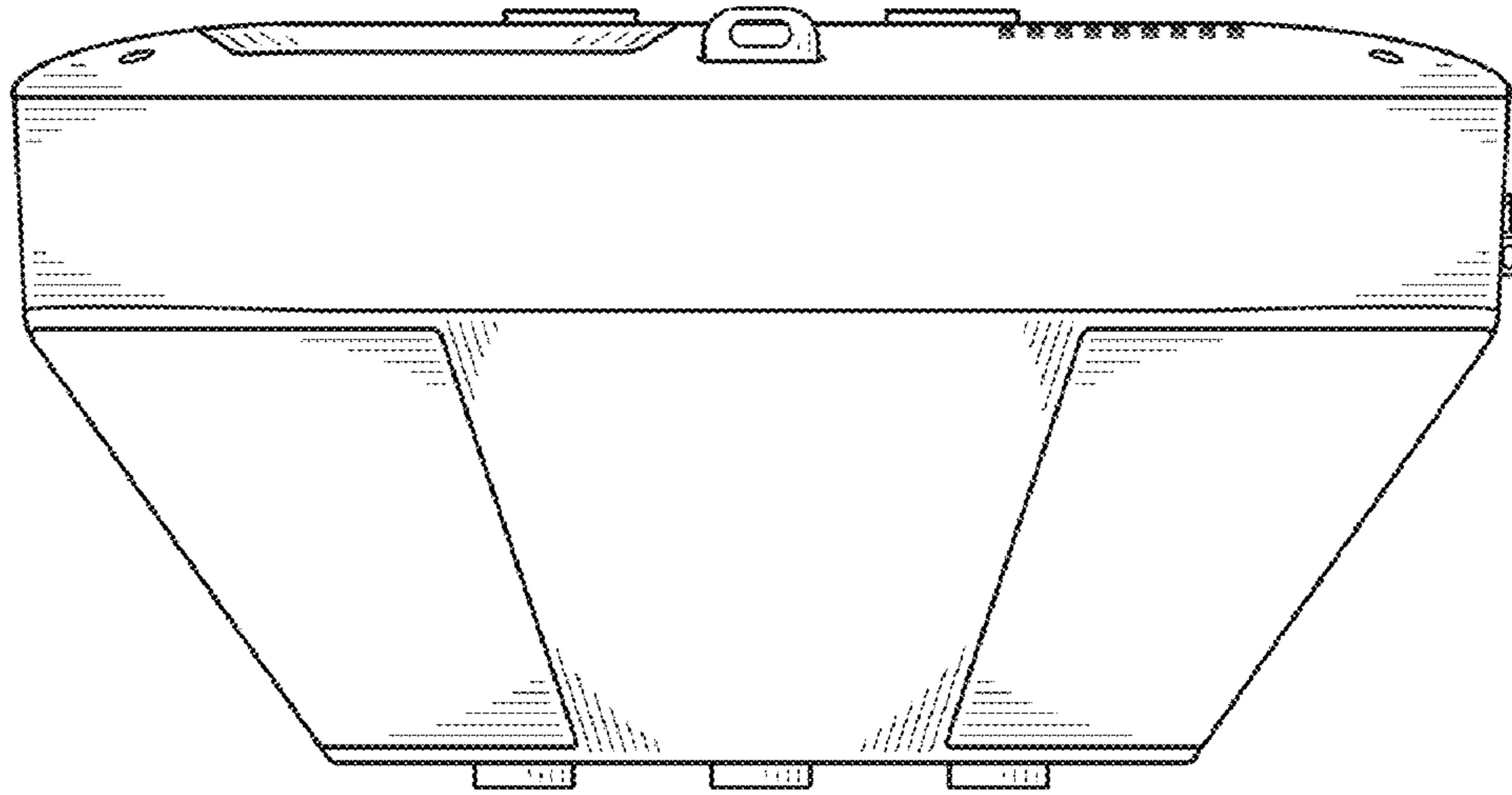


FIG. 5

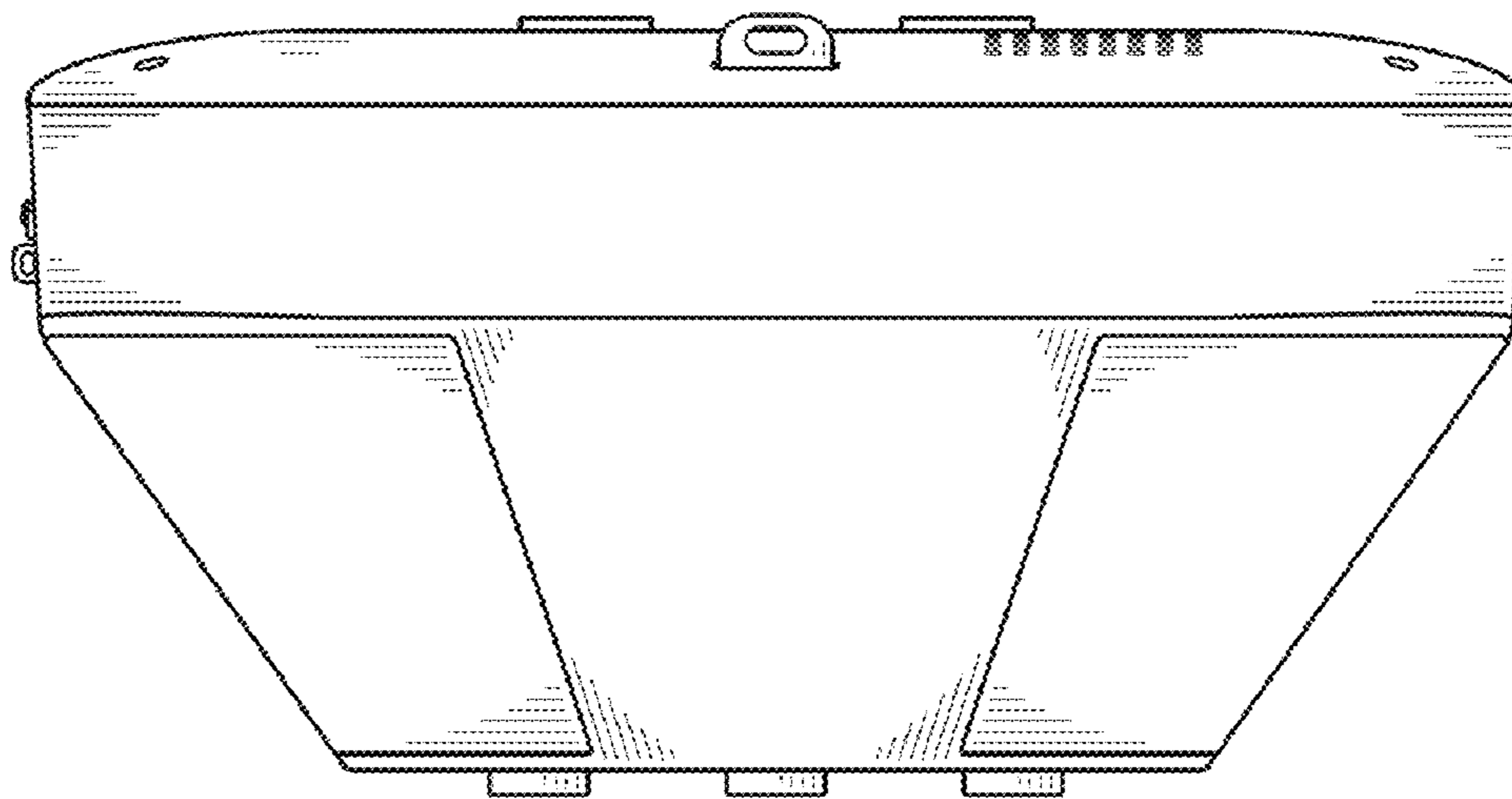


FIG. 6

FIG. 7

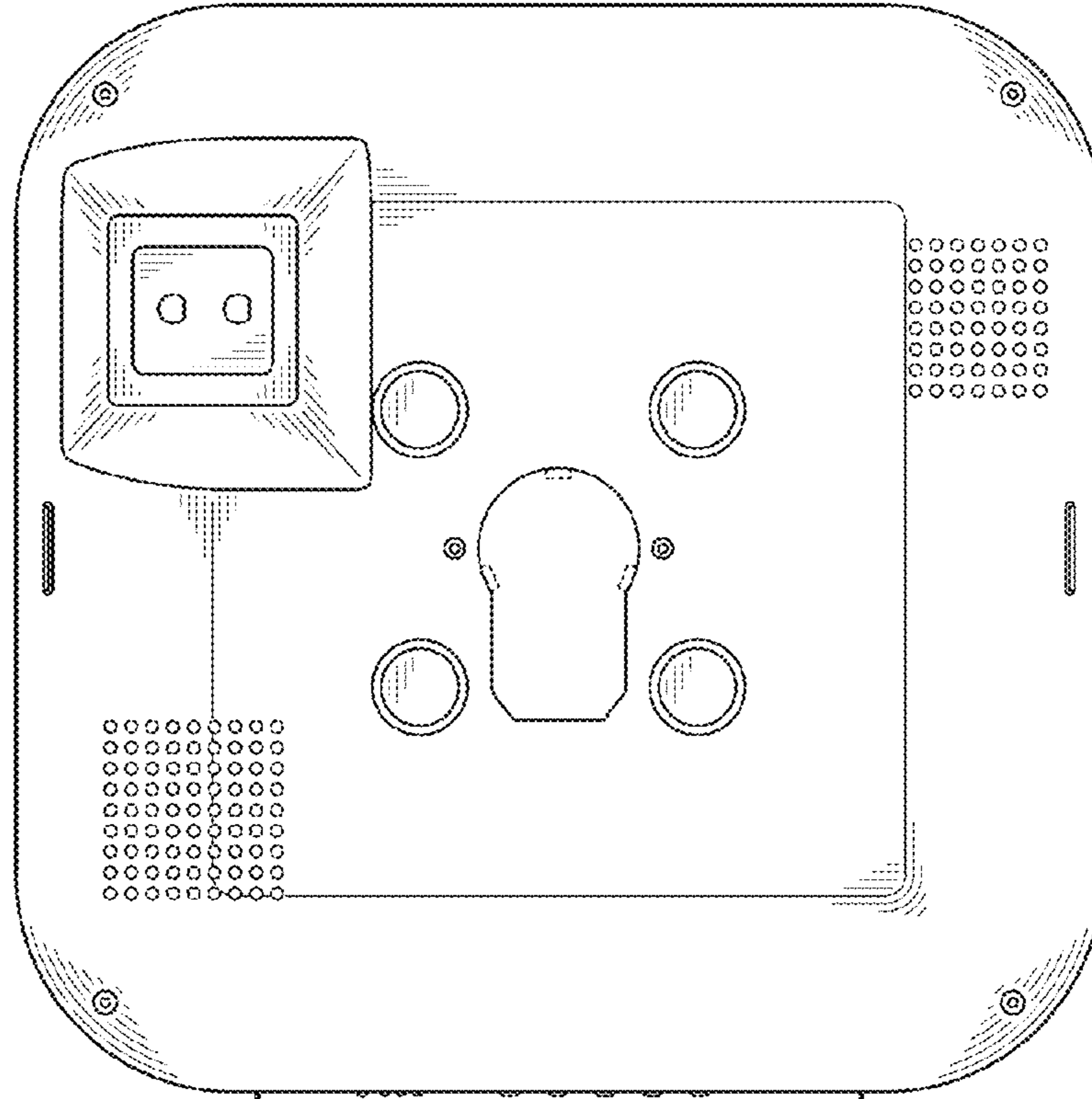
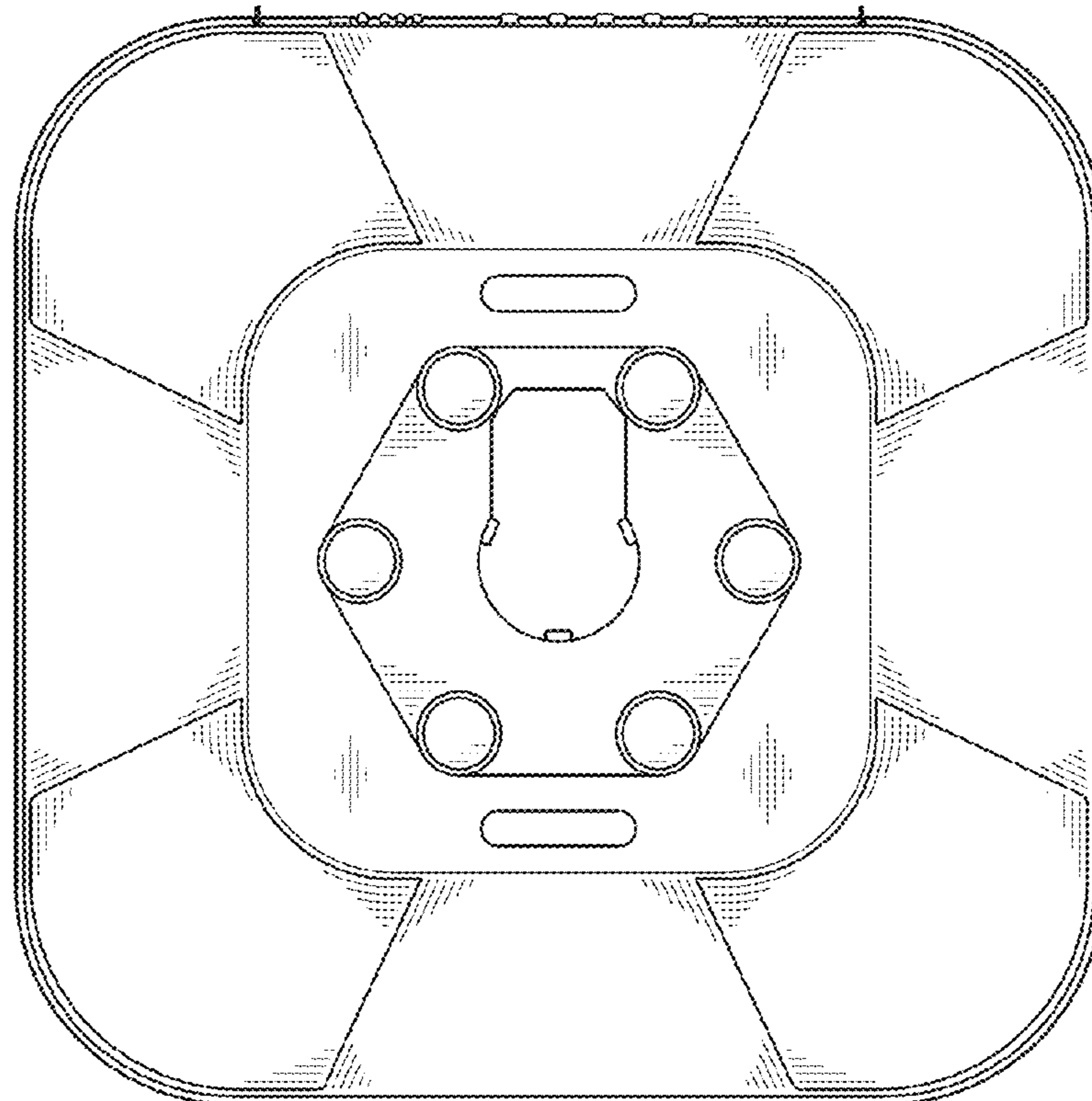


FIG. 8



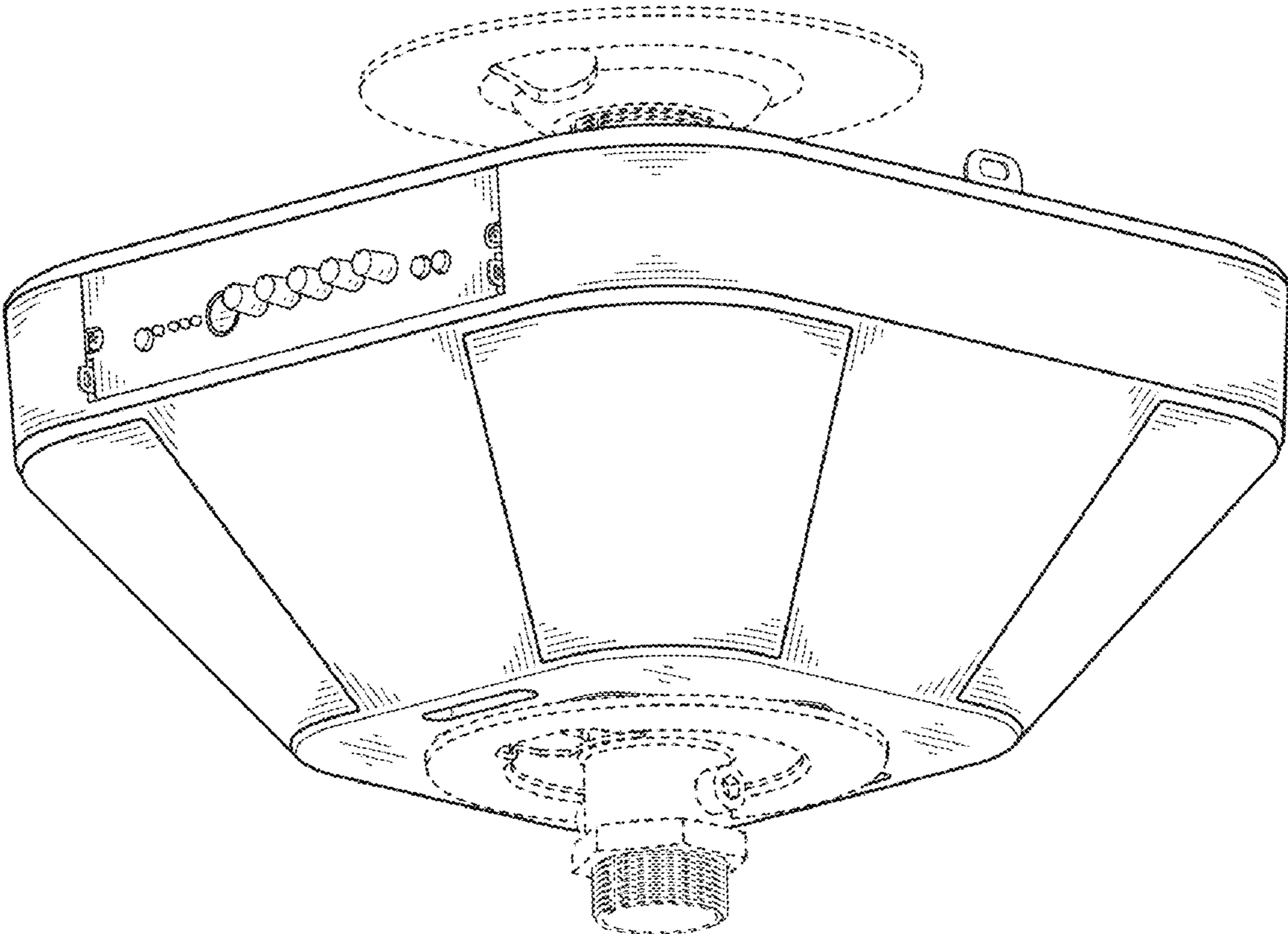


FIG. 9