



US00D617309S

(12) **United States Design Patent**  
**Chiu**

(10) **Patent No.:** **US D617,309 S**  
(45) **Date of Patent:** **\*\* Jun. 8, 2010**

(54) **SPEAKER**  
(75) Inventor: **Yi-Chung Chiu**, Taoyuan County (TW)  
(73) Assignee: **Hannspree, Inc.**, Taipei (TW)  
(\*\*) Term: **14 Years**  
(21) Appl. No.: **29/351,473**  
(22) Filed: **Dec. 7, 2009**

D322,295 S \* 12/1991 Overson ..... D21/479  
D351,737 S \* 10/1994 Chou ..... D21/607  
D467,896 S \* 12/2002 Myers ..... D14/207  
D514,631 S \* 2/2006 Schechter ..... D21/608

\* cited by examiner

*Primary Examiner*—Nanda Bondade  
(74) *Attorney, Agent, or Firm*—Ming Chow; Sinorica, LLC

(51) **LOC (9) Cl.** ..... **14-01**  
(52) **U.S. Cl.** ..... **D14/207; D11/162; D21/606**  
(58) **Field of Classification Search** ..... D14/204,  
D14/207, 210–216, 172; 181/143–144, 147–148,  
181/150–153, 157, 198–199; 381/300–303,  
381/306, 332–333, 336, 345, 361–364, 386–388;  
D11/160, 162; D21/479, 585, 606–609,  
D21/832

(57) **CLAIM**

The ornamental design for a speaker, as shown and described.

See application file for complete search history.

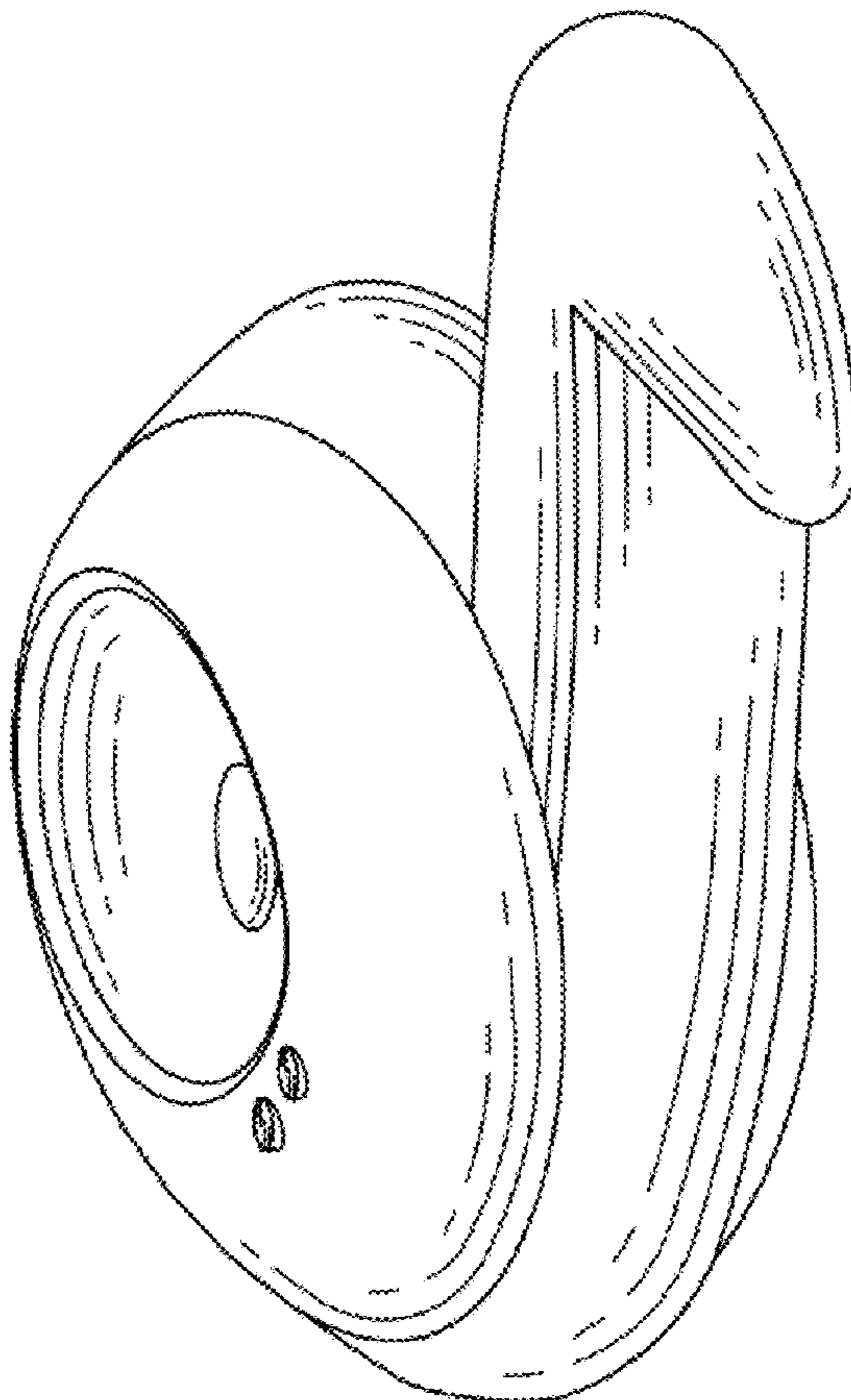
**DESCRIPTION**

FIG. 1 is a front perspective view of a speaker showing my new design;  
FIG. 2. is a front elevational view thereof;  
FIG. 3. is a rear elevational view thereof;  
FIG. 4. is a left side elevational view thereof;  
FIG. 5. is a right side elevational view thereof;  
FIG. 6. is a top plan view thereof; and,  
FIG. 7. is a bottom plan view thereof.

(56) **References Cited**  
U.S. PATENT DOCUMENTS

D139,787 S \* 12/1944 Hausman ..... D11/162  
D272,458 S \* 1/1984 Fleminger ..... D21/606

**1 Claim, 7 Drawing Sheets**



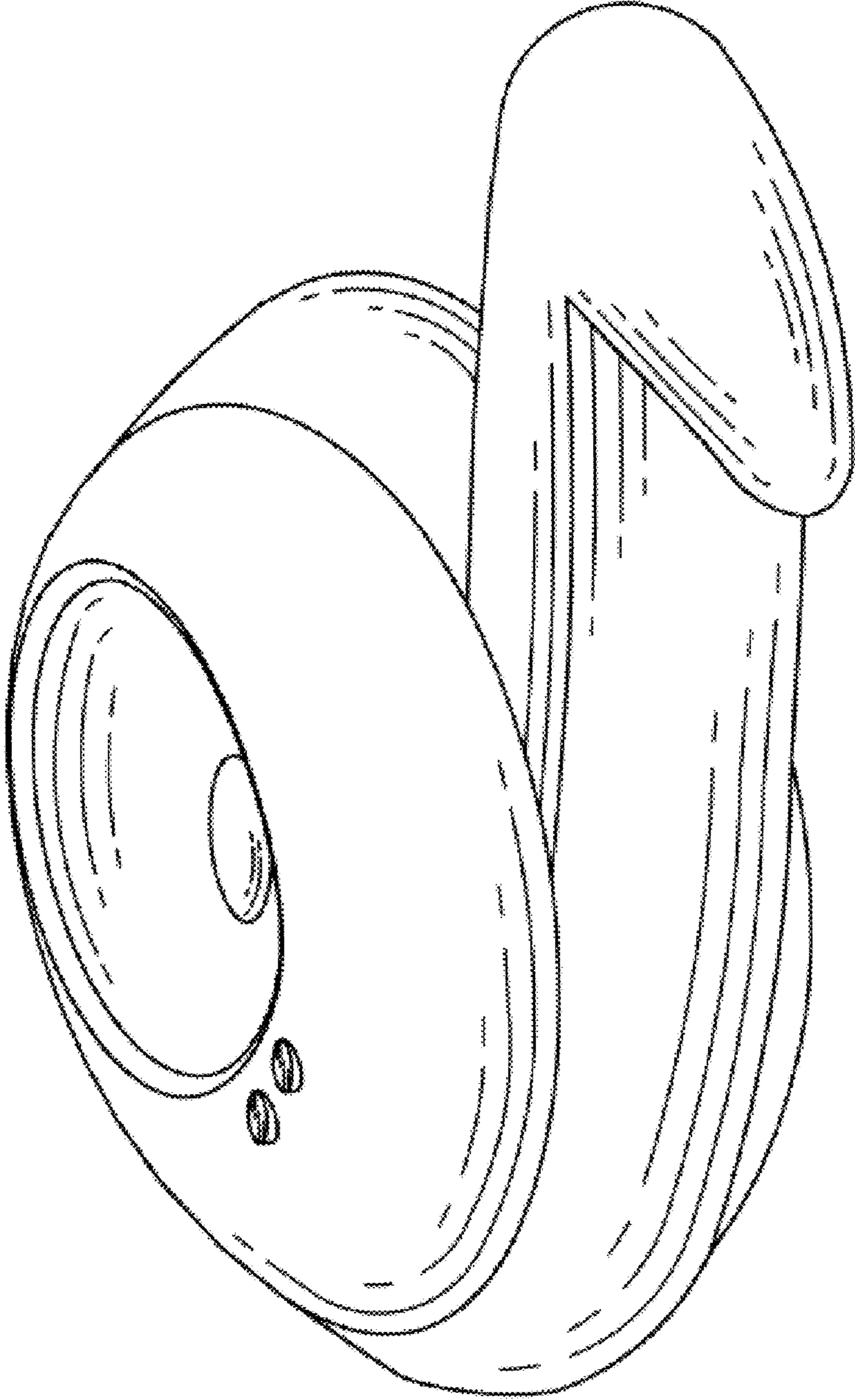


FIG 1

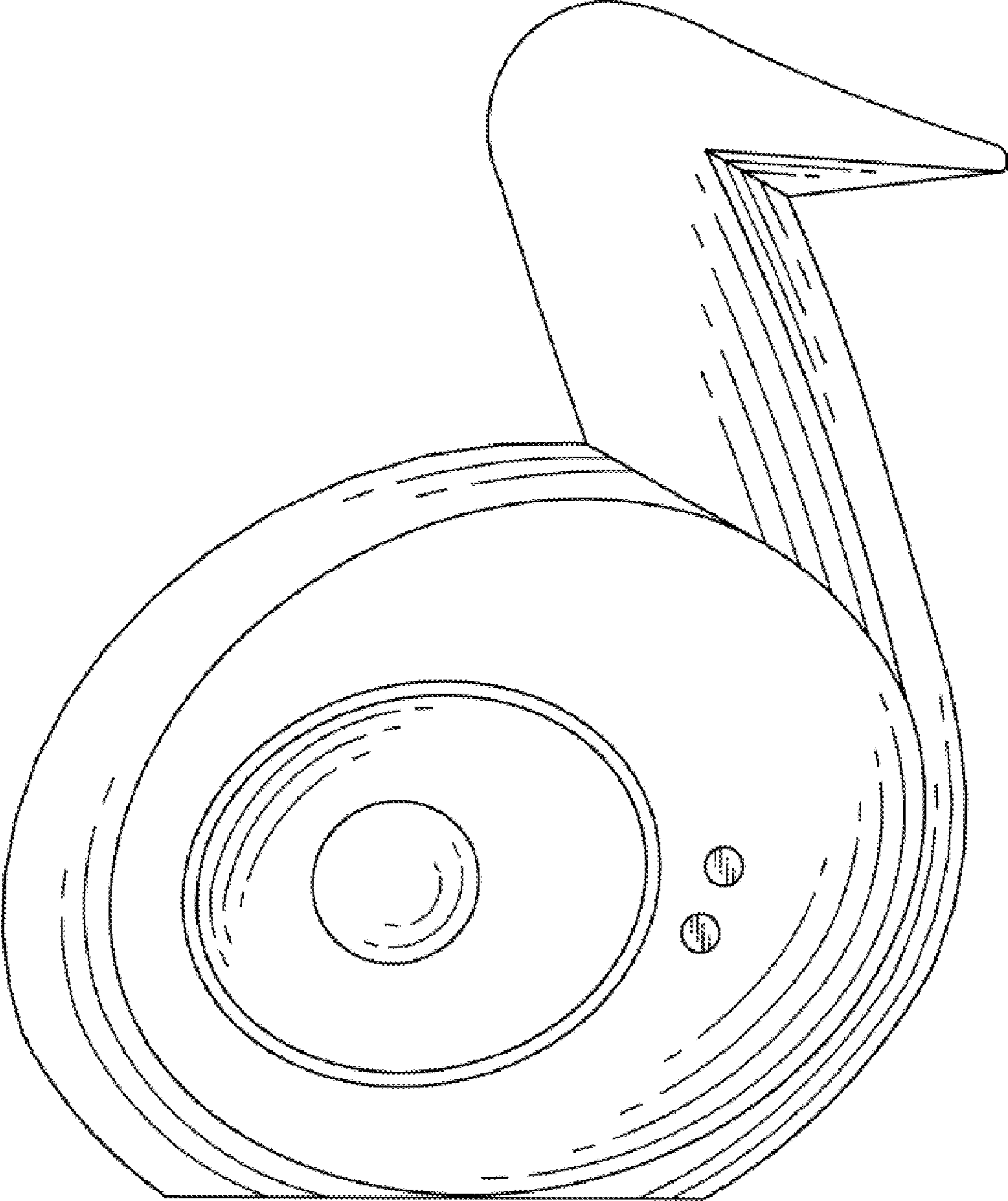


FIG 2

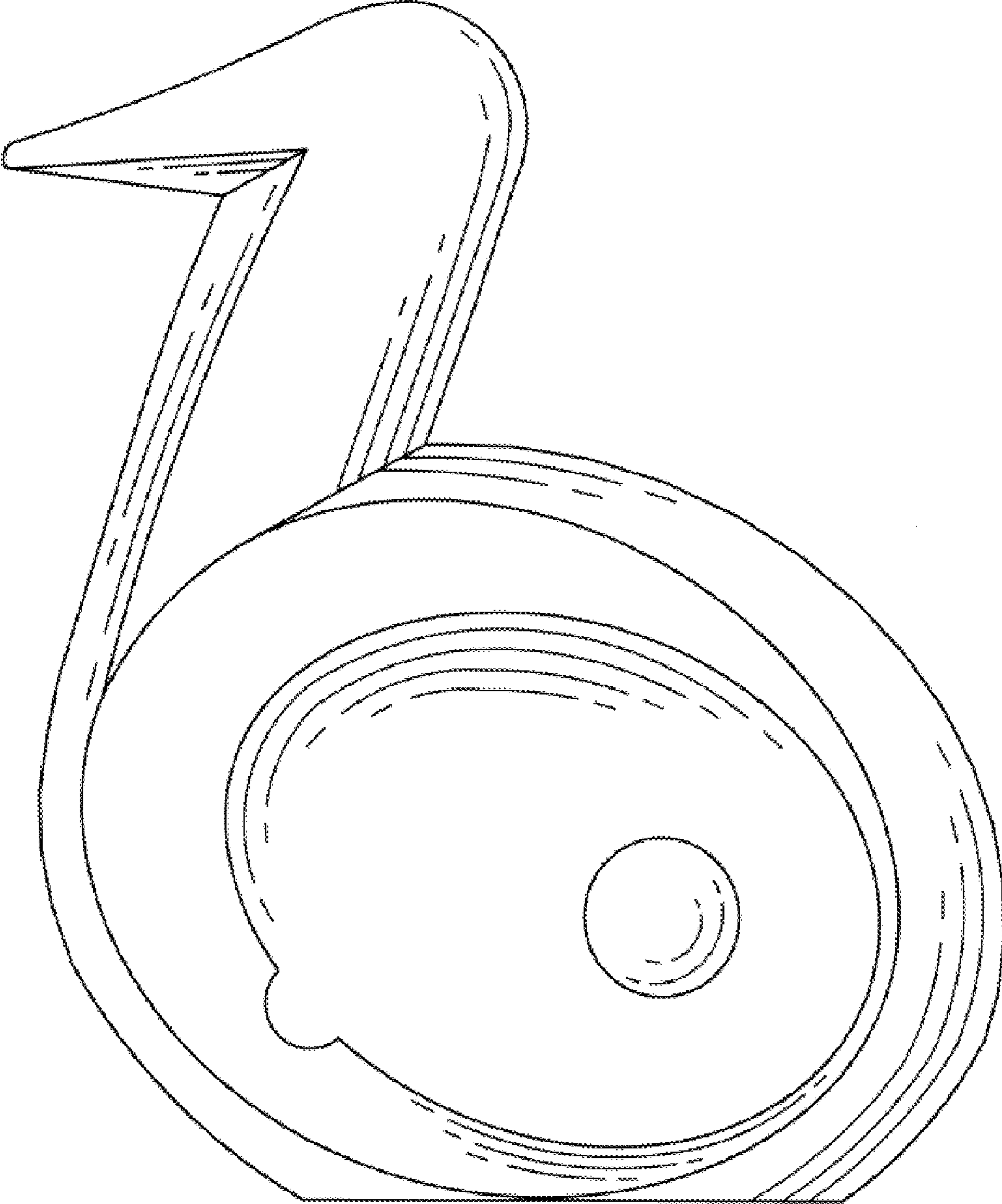


FIG 3

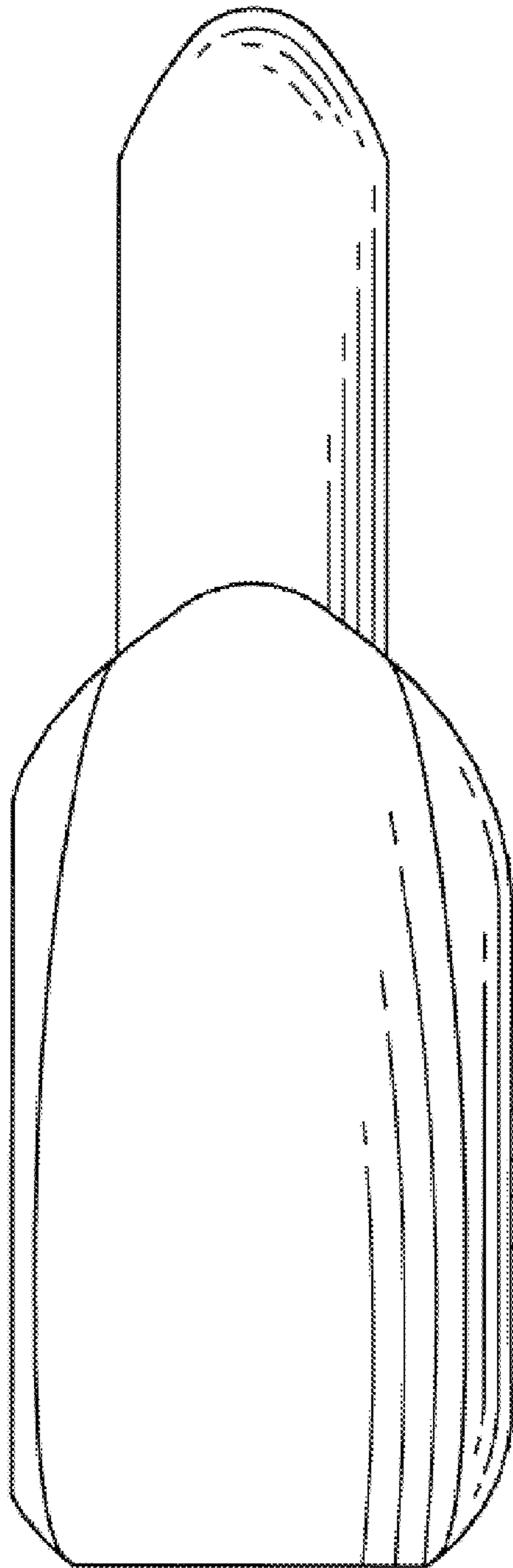


FIG. 4

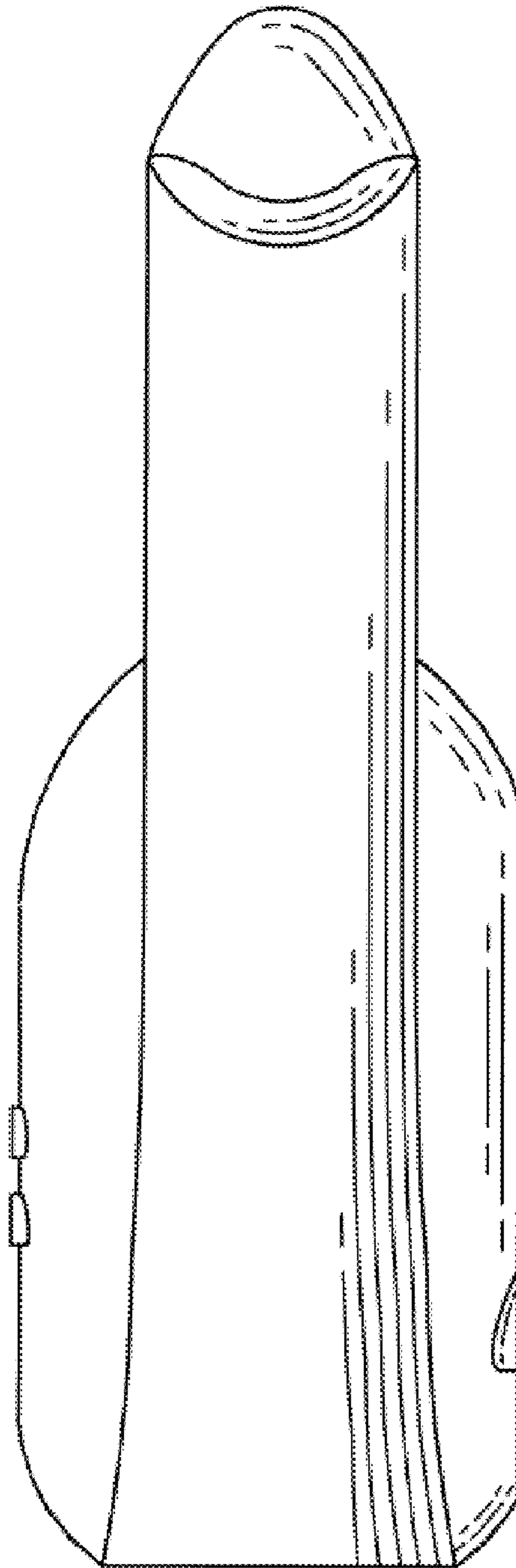


FIG. 5

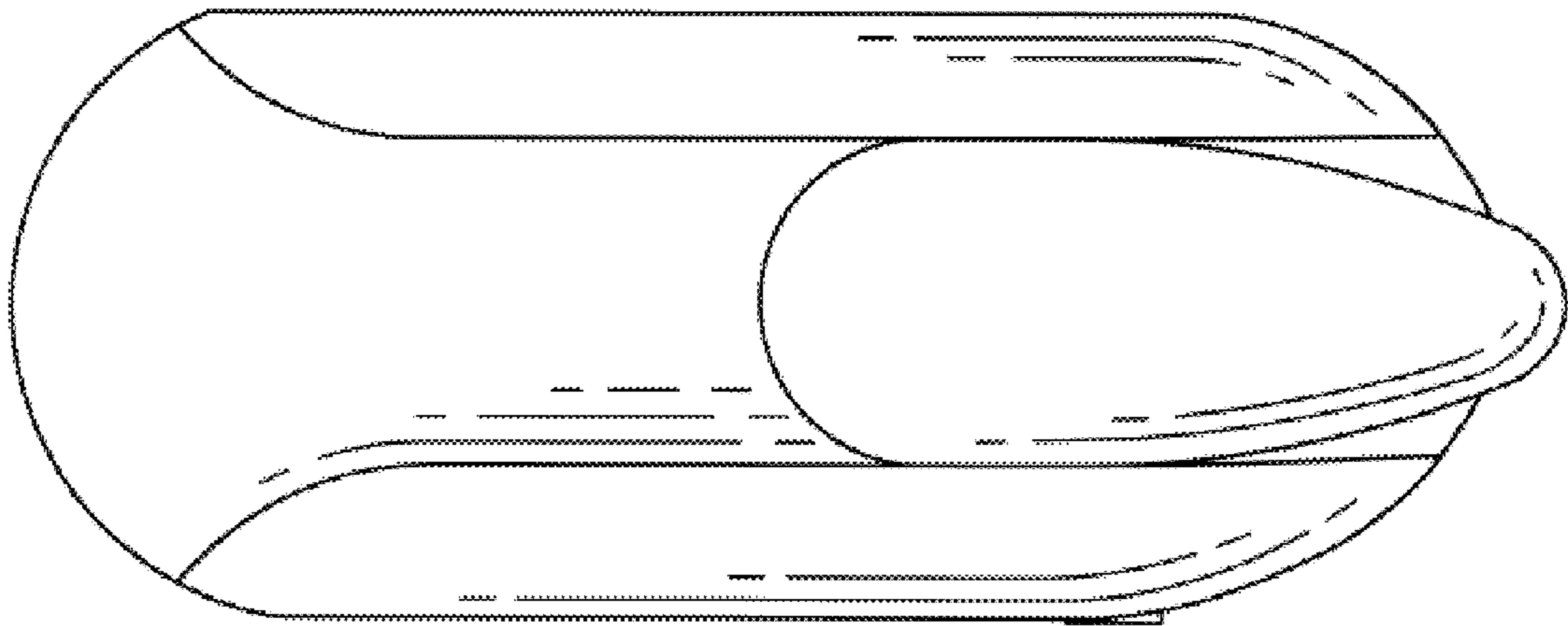


FIG. 6

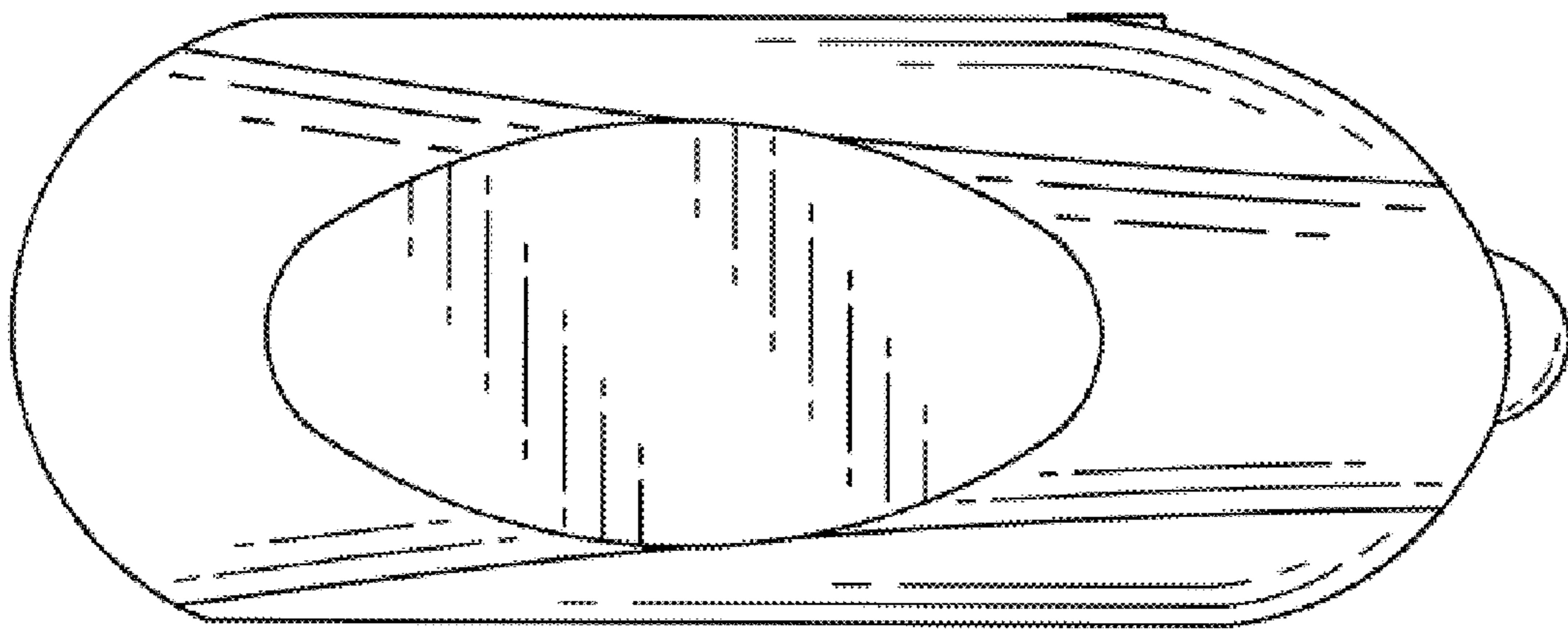


FIG. 7