



US00D617308S

(12) **United States Design Patent**
Nousiainen et al.

(10) **Patent No.:** **US D617,308 S**
(45) **Date of Patent:** **** Jun. 8, 2010**

(54) **HEADSET**

(75) Inventors: **Esa Petteri Nousiainen**, Vantaa (FI);
Heidi Janina Hihnala, Helsinki (FI)

(73) Assignee: **Nokia Corporation**, Espoo (FI)

(**) Term: **14 Years**

(21) Appl. No.: **29/342,673**

(22) Filed: **Aug. 28, 2009**

(51) **LOC (9) Cl.** **14-01**

(52) **U.S. Cl.** **D14/205**

(58) **Field of Classification Search** D14/205,
D14/206, 223; 181/129, 130; 381/380, 381,
381/338, 382, 370, 378, 374; 128/864, 866;
351/123; D24/106

See application file for complete search history.

(56) **References Cited**

U.S. PATENT DOCUMENTS

D368,716	S *	4/1996	Shudo	D14/205
D371,558	S *	7/1996	Yoshizawa	D14/205
5,749,373	A *	5/1998	Dix	128/864
D421,014	S *	2/2000	Smith	D14/205
6,056,082	A *	5/2000	Lindgren et al.	181/130
D426,880	S *	6/2000	Leight	D24/106
6,233,345	B1 *	5/2001	Urwyler	381/381
D458,245	S *	6/2002	Masuda	D14/205

D463,396	S *	9/2002	Beraut et al.	D14/205
6,603,863	B1 *	8/2003	Nagayoshi	381/380
6,741,719	B1 *	5/2004	Orten	381/380
D525,235	S *	7/2006	Koizumi	D14/205
D559,831	S *	1/2008	Lee	D14/205
D583,800	S	12/2008	Jaakkola et al.		
D592,182	S	5/2009	Sanguinetti		

* cited by examiner

Primary Examiner—Paula Greene

(74) *Attorney, Agent, or Firm*—Banner & Witcoff, Ltd.

(57) **CLAIM**

The ornamental design for a headset, as shown and described.

DESCRIPTION

FIG. 1 is a perspective front view of a headset showing my new design;

FIG. 2 is a front view thereof;

FIG. 3 is a rear view thereof;

FIG. 4 is a left side view thereof;

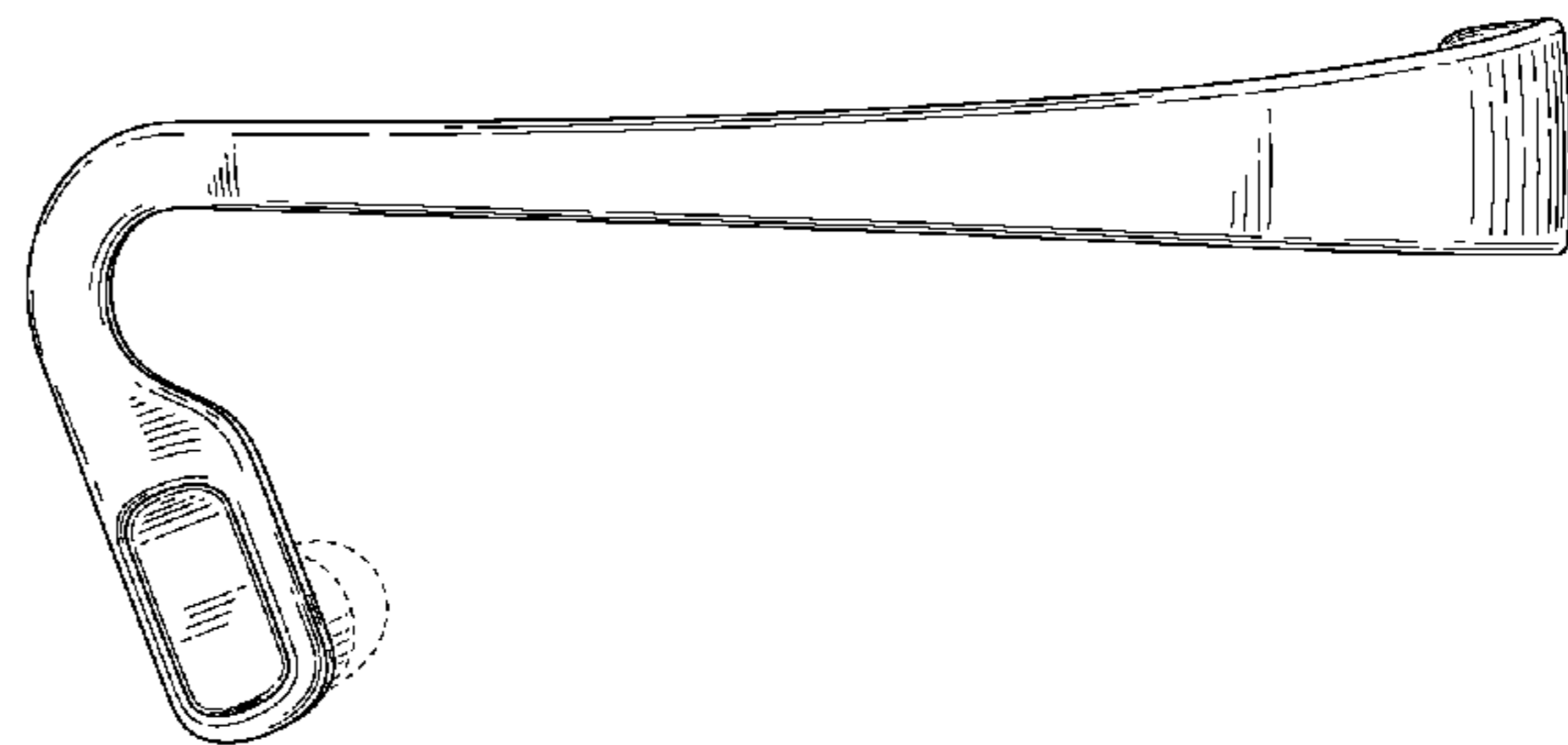
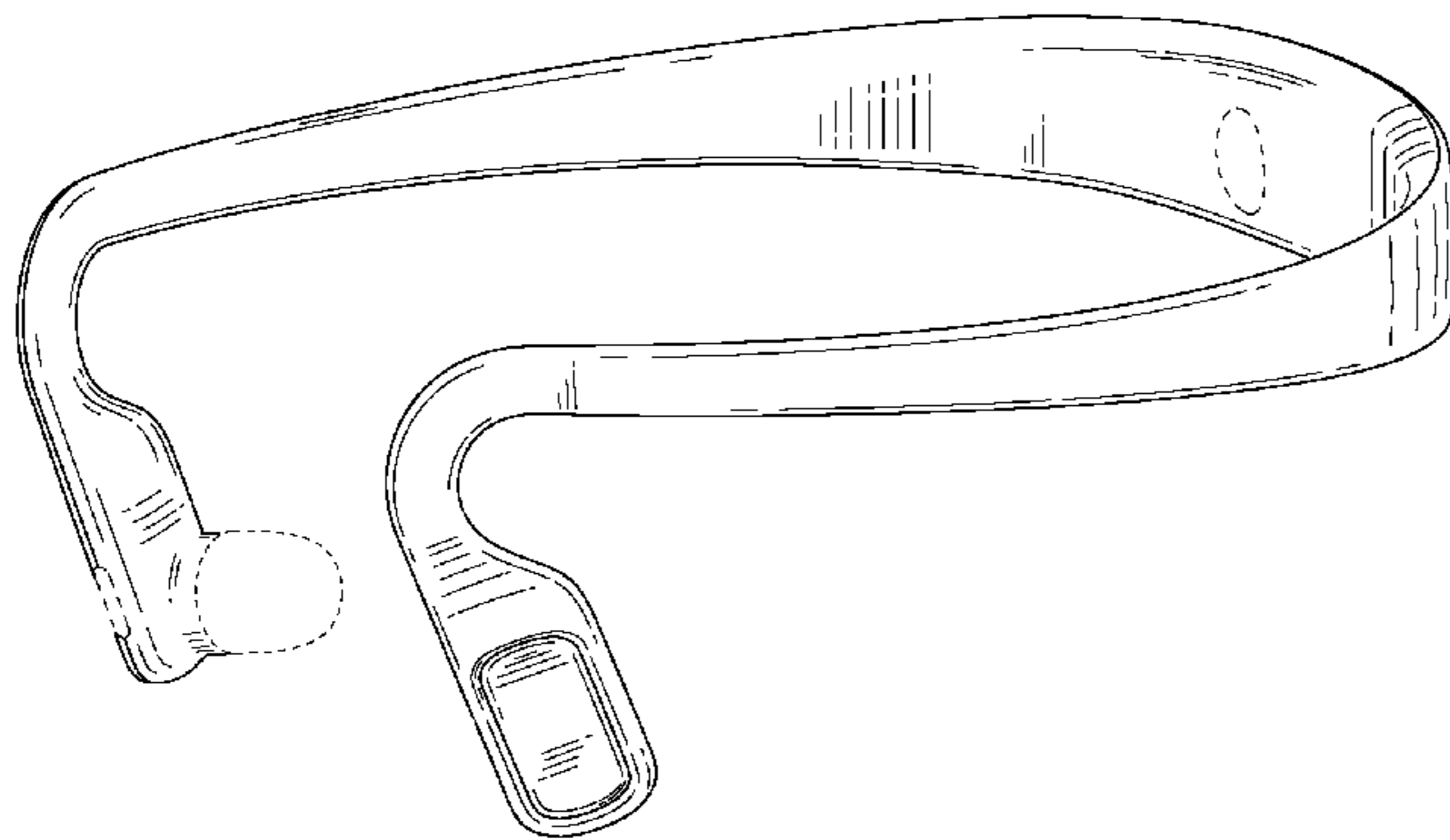
FIG. 5 is a right side view thereof;

FIG. 6 is a top plan view thereof; and,

FIG. 7 is a bottom plan view thereof.

The broken line showing in FIGS. 1-7 is for illustrative purposes only and forms no part of the claimed design.

1 Claim, 6 Drawing Sheets



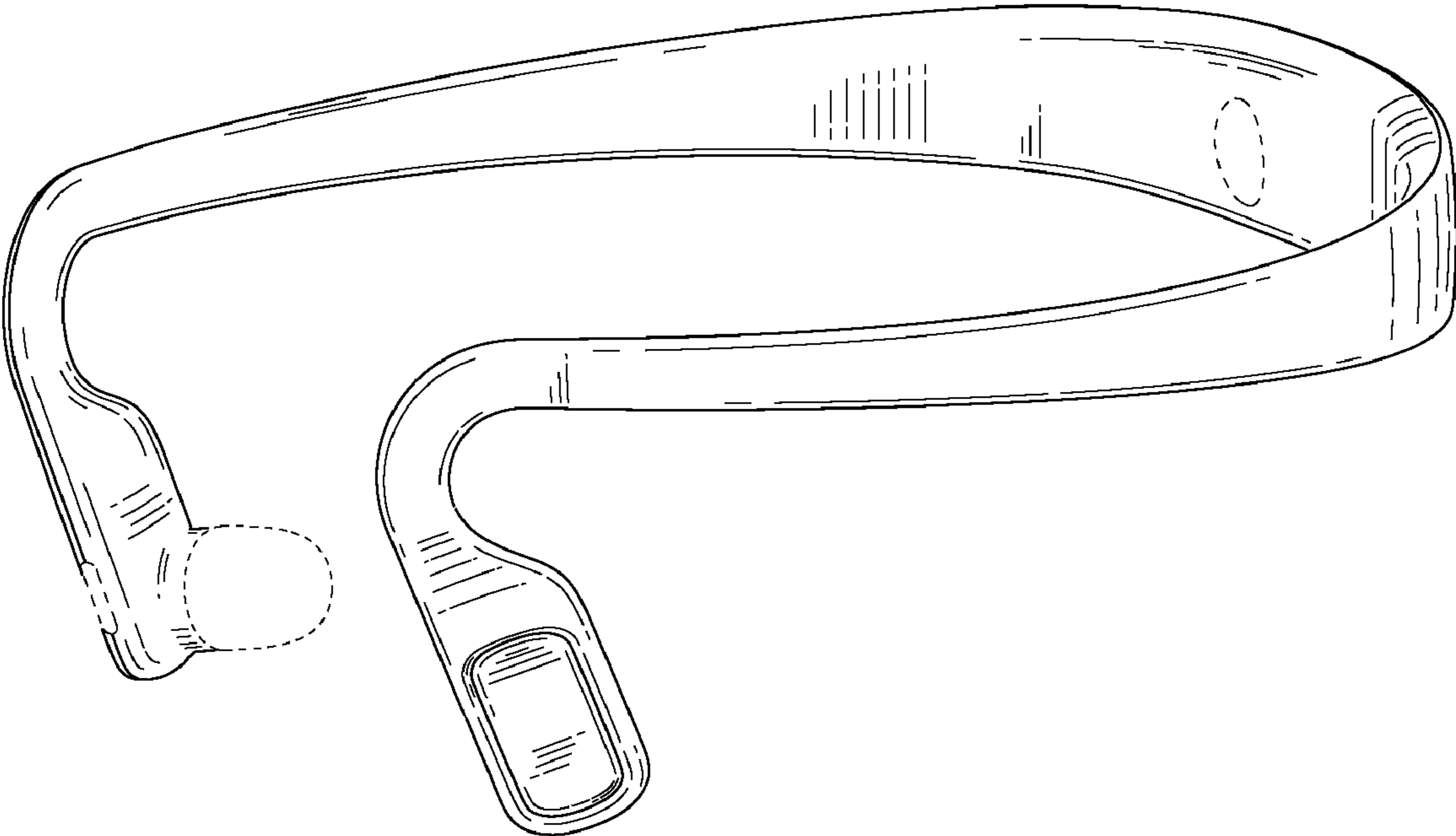


FIG. 1

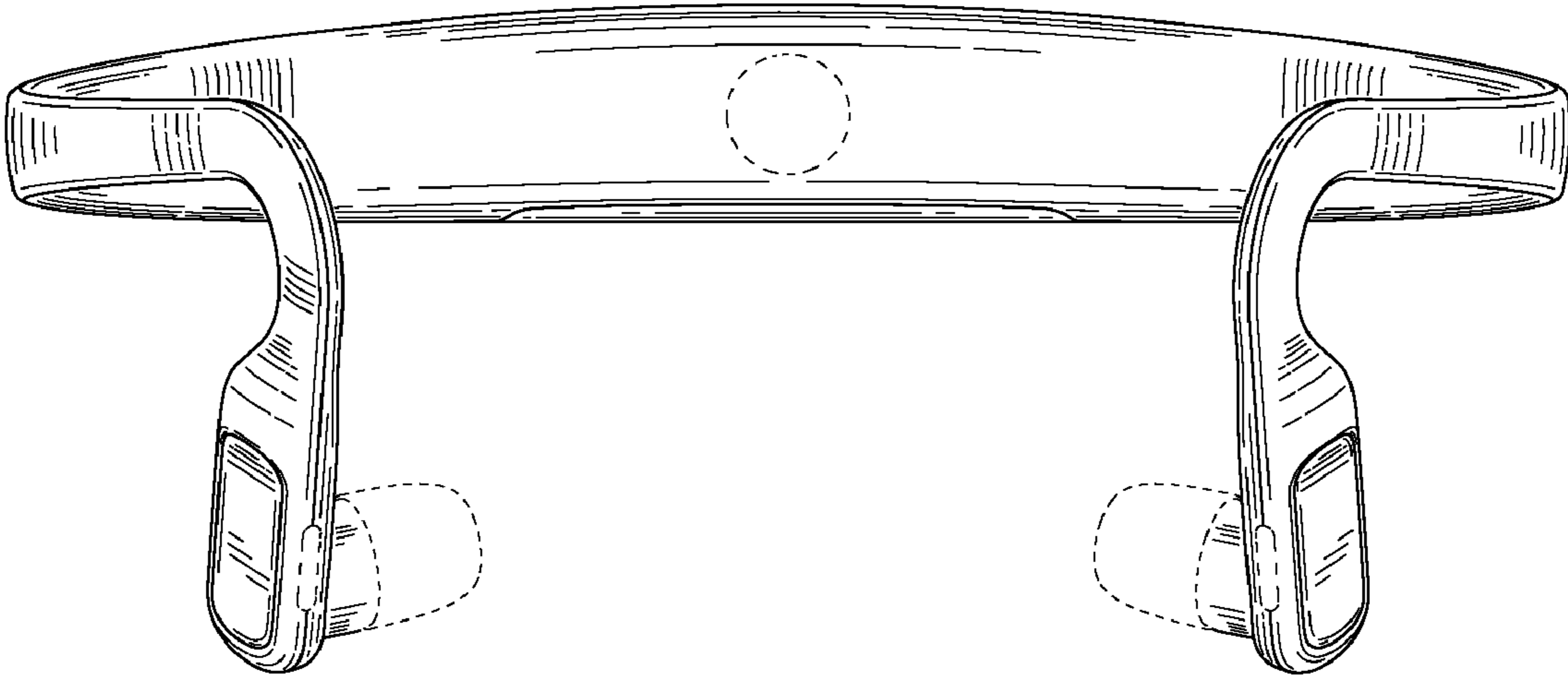


FIG. 2

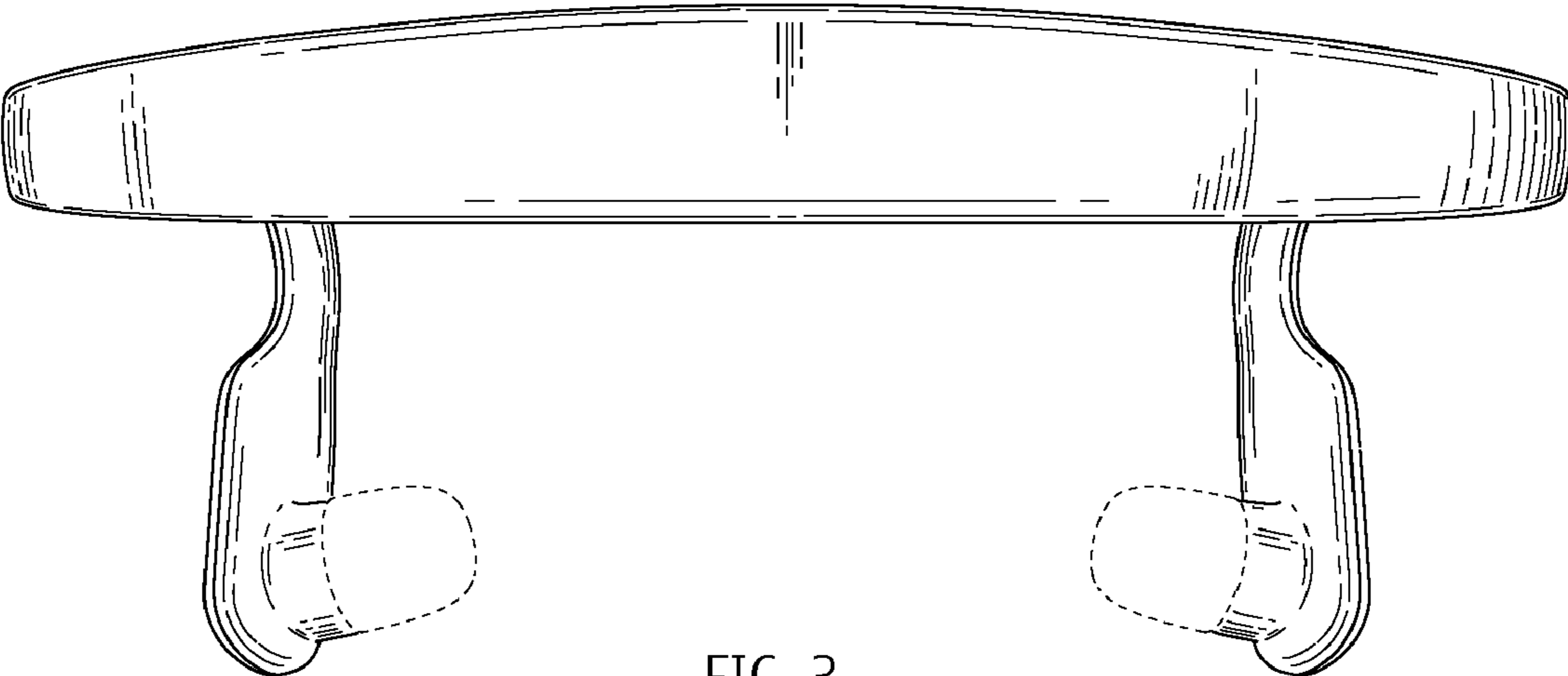


FIG. 3

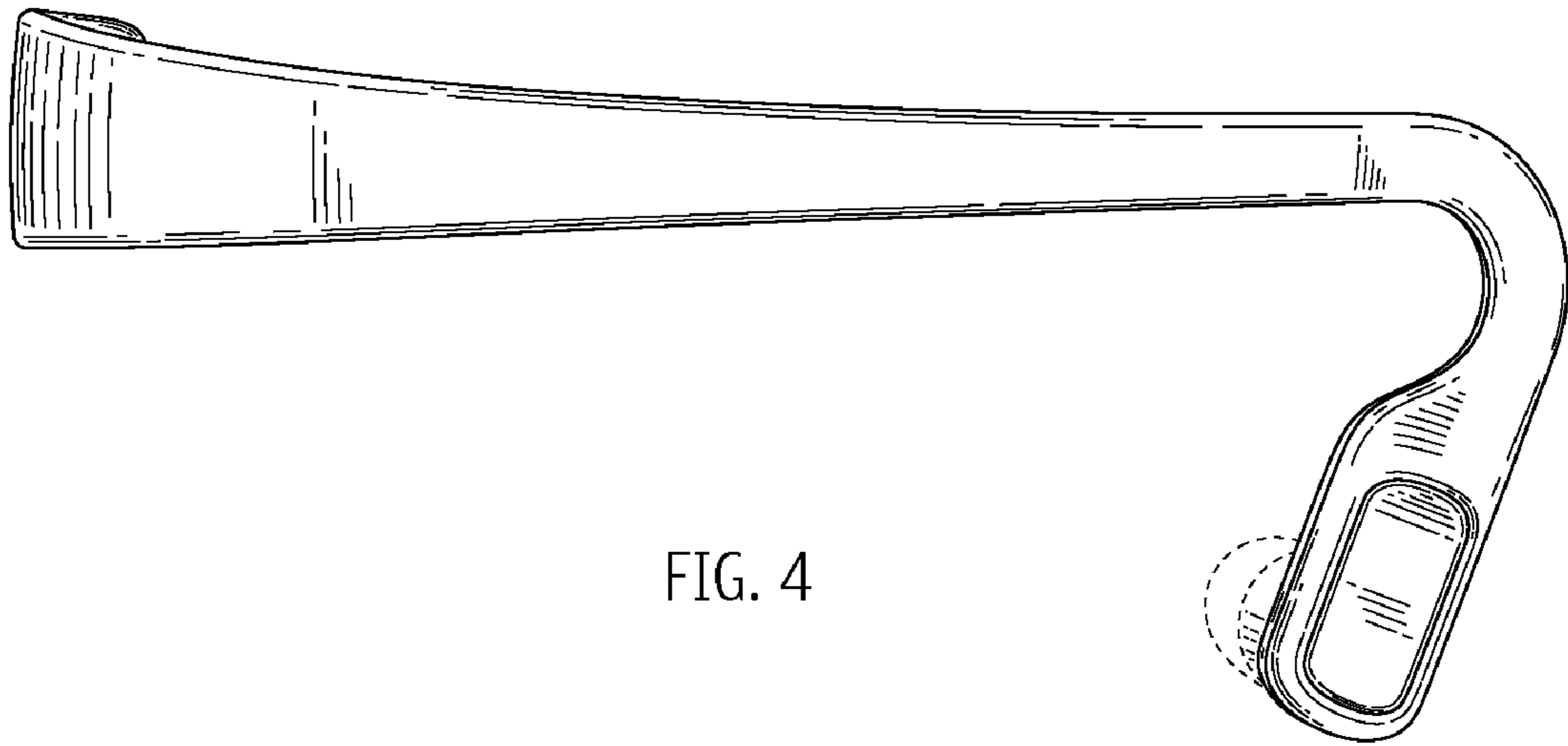


FIG. 4

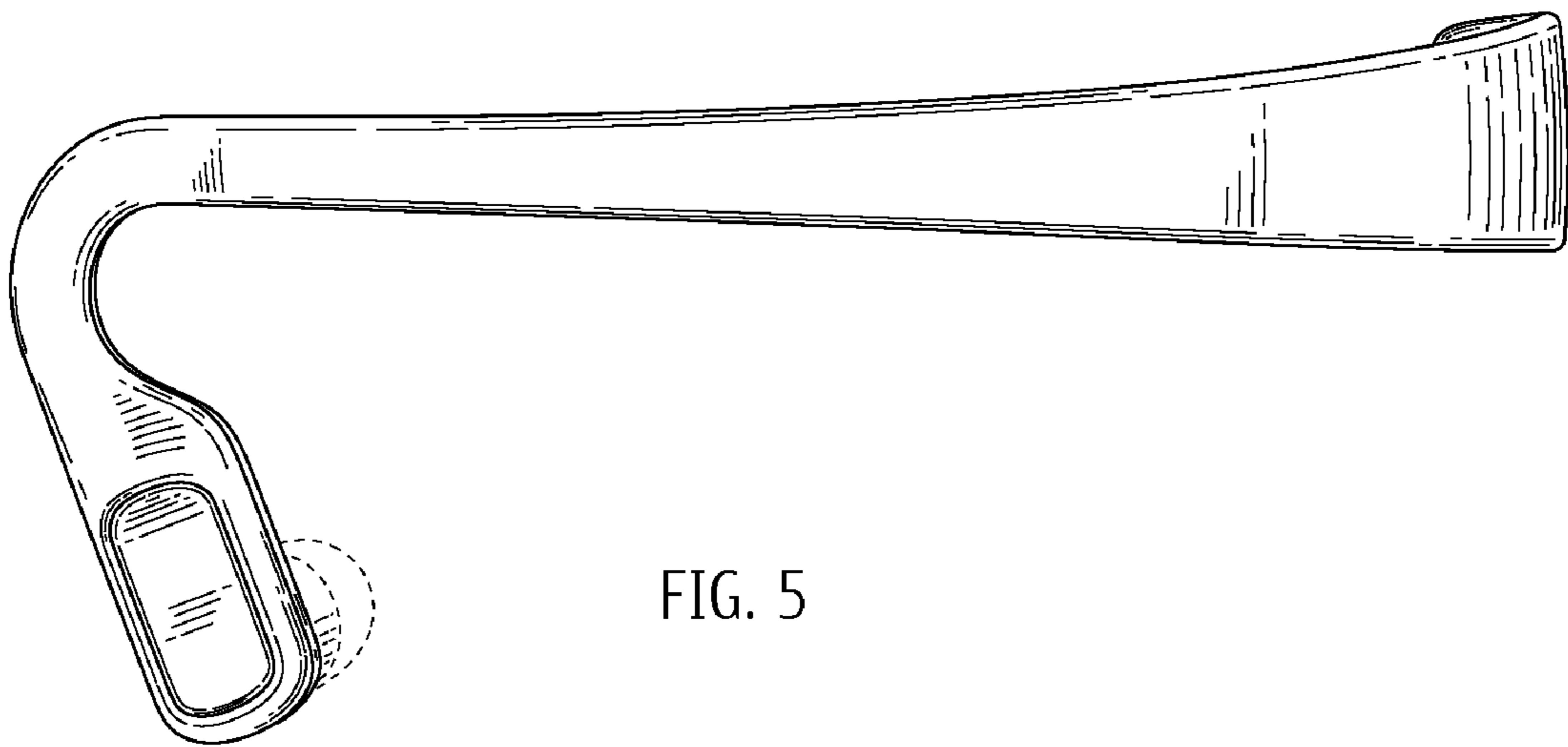


FIG. 5

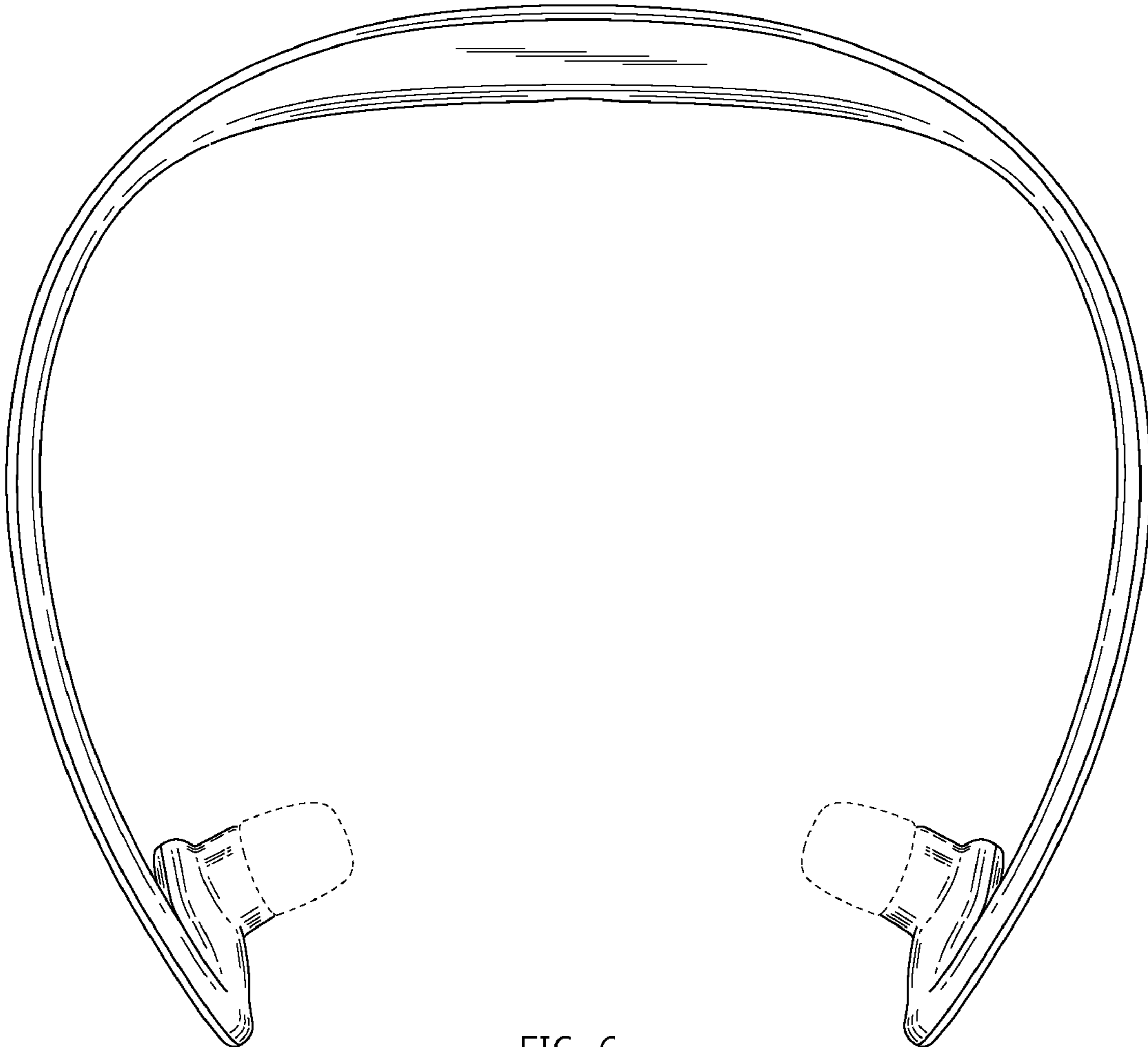


FIG. 6

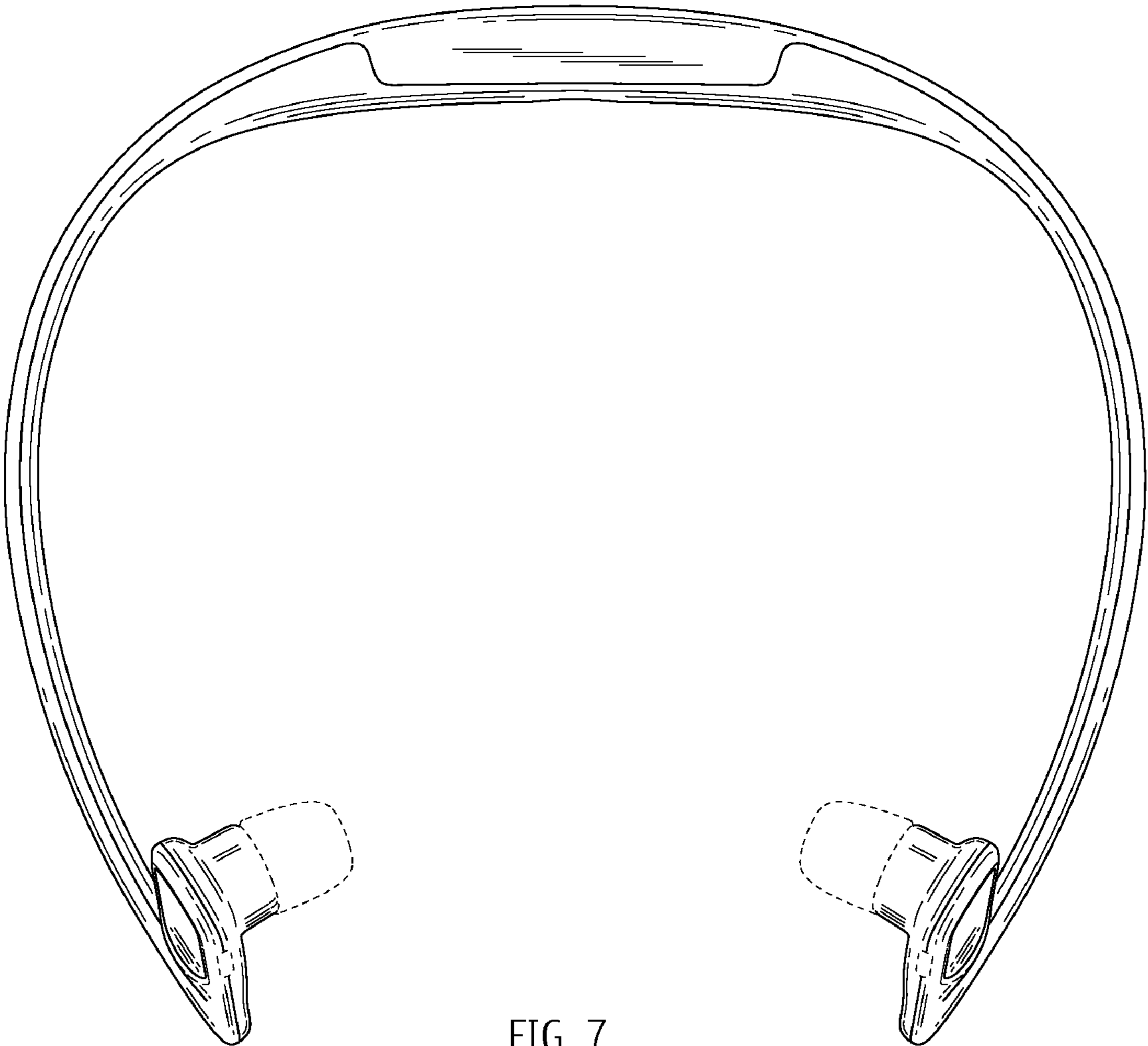


FIG. 7