



US00D617304S

(12) **United States Design Patent**
Yang

(10) **Patent No.:** **US D617,304 S**
(45) **Date of Patent:** **** Jun. 8, 2010**

- (54) **PORTABLE CD RADIO PLAYER**
- (75) Inventor: **Zhao Rong Yang**, Dongguan (CN)
- (73) Assignee: **Kenwin Industrial (H.K.) Limited**,
Fotan (HK)
- (**) Term: **14 Years**
- (21) Appl. No.: **29/340,751**
- (22) Filed: **Jul. 24, 2009**
- (51) **LOC (9) Cl.** **14-01**
- (52) **U.S. Cl.** **D14/168**
- (58) **Field of Classification Search** D14/496,
D14/498-511, 167-168, 188, 193-198, 163;
360/99.02, 99.07; 369/75.11, 75.21, 77.11,
369/77.21; 720/601, 612, 619, 649, 655;
455/344, 347-351

See application file for complete search history.

(56) **References Cited**

U.S. PATENT DOCUMENTS

- D366,658 S * 1/1996 Fukutome D14/168
- D451,487 S * 12/2001 Ng D14/500

- D483,736 S * 12/2003 Tanaka D14/168
- D512,044 S * 11/2005 Esslinger et al. D14/168
- D575,765 S * 8/2008 Cheung et al. D14/168

* cited by examiner

Primary Examiner—Nanda Bondade

(74) *Attorney, Agent, or Firm*—McNeely & Hare LLP; Kevin J. McNeely

(57) **CLAIM**

The ornamental design for a portable CD radio player, as shown.

DESCRIPTION

FIG. 1 is a front perspective view of the portable CD radio player, showing the new design;

FIG. 2 is a front view;

FIG. 3 is a rear view;

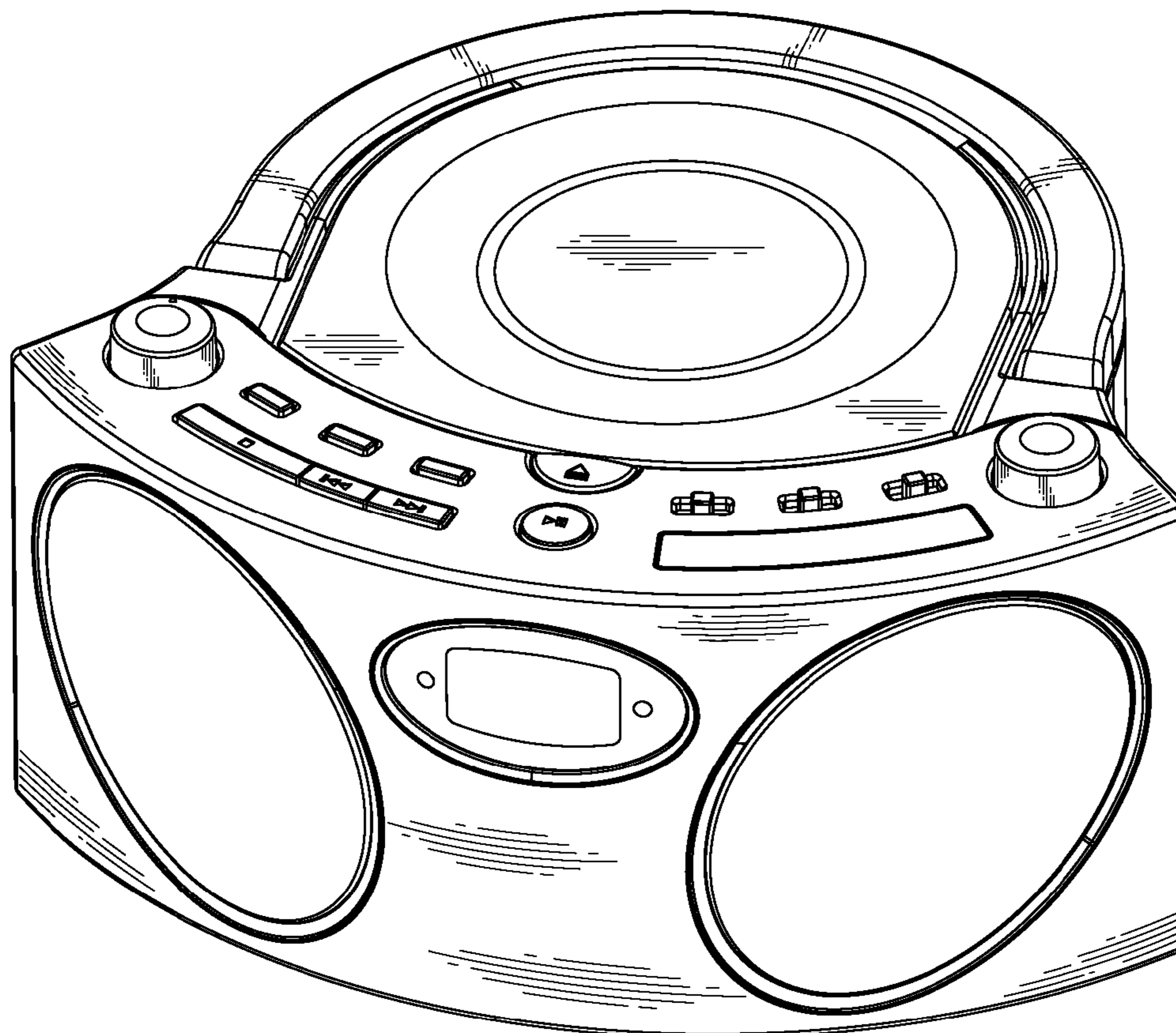
FIG. 4 is a right side view

FIG. 5 is a left side view;

FIG. 6 is a top view; and,

FIG. 7 is a bottom view.

1 Claim, 7 Drawing Sheets



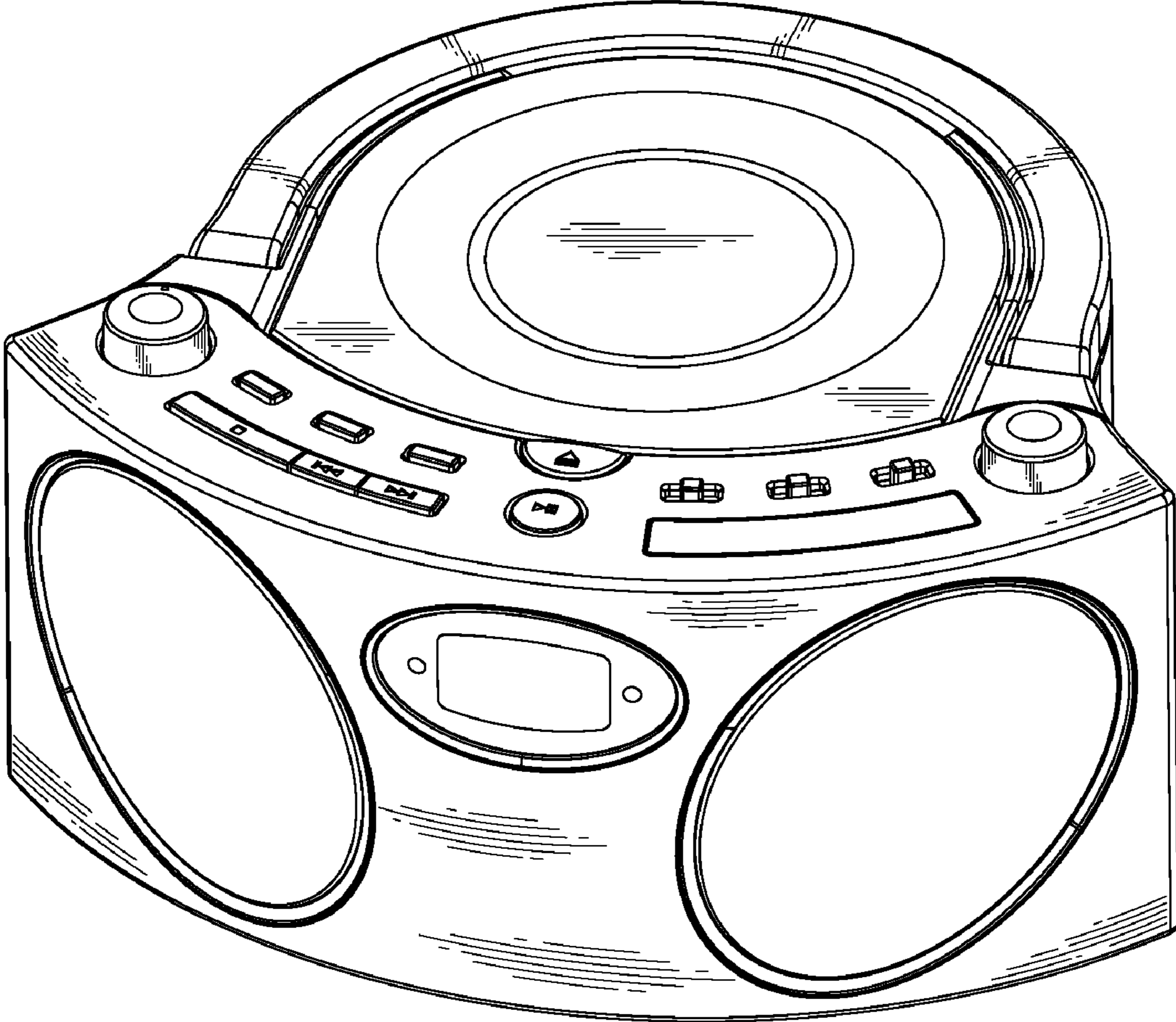


Fig. 1

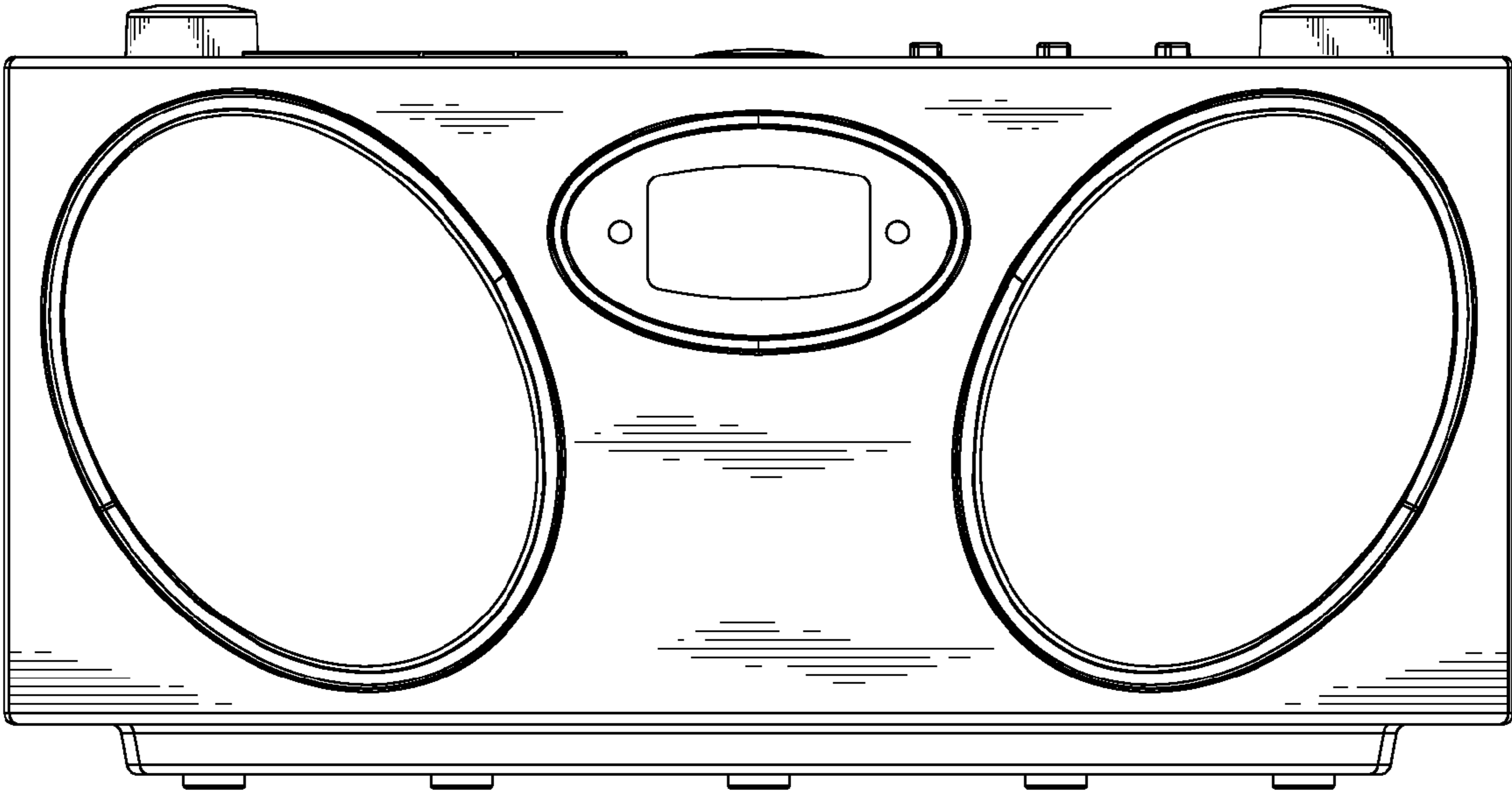


Fig.2

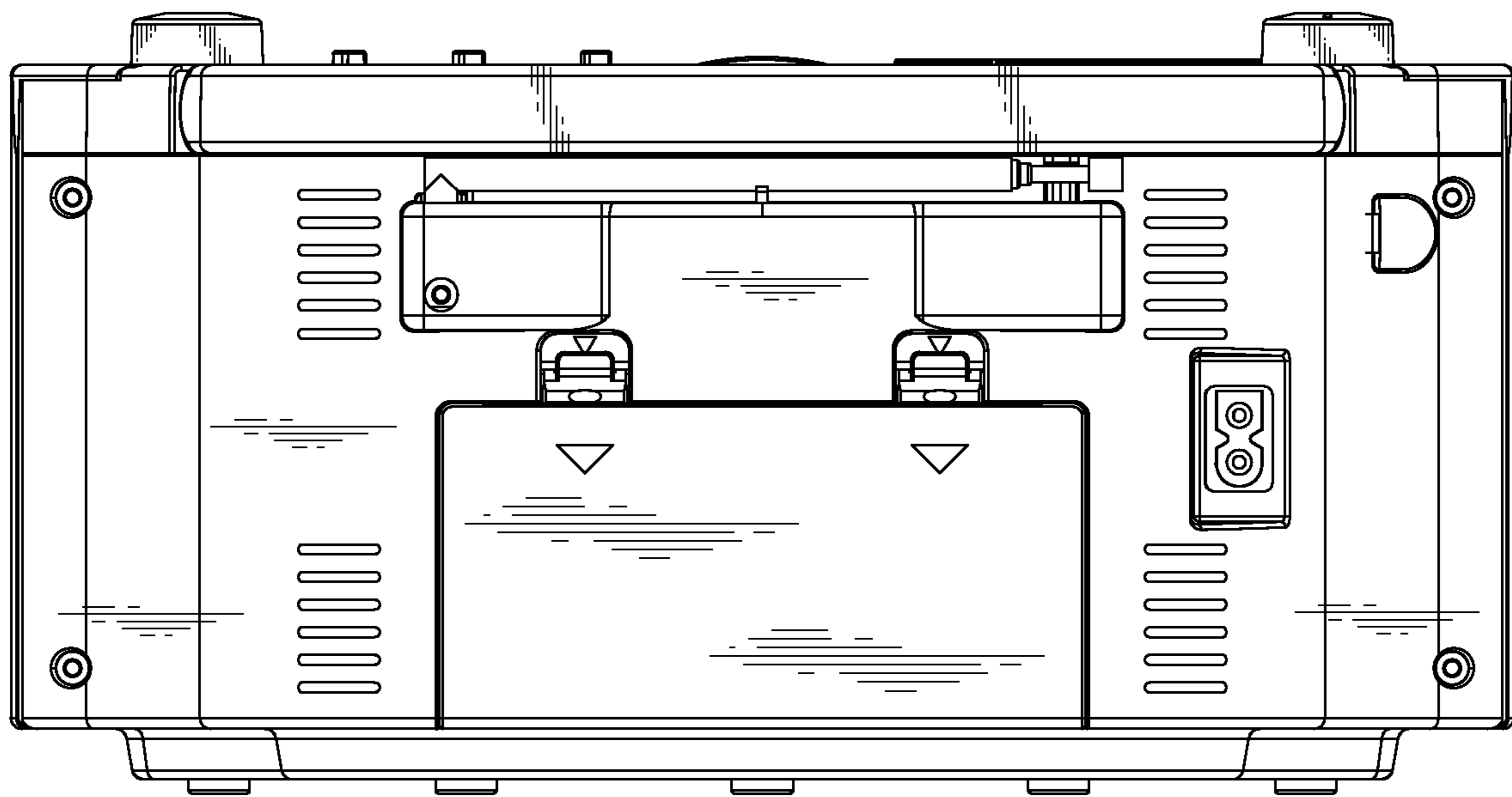


Fig.3

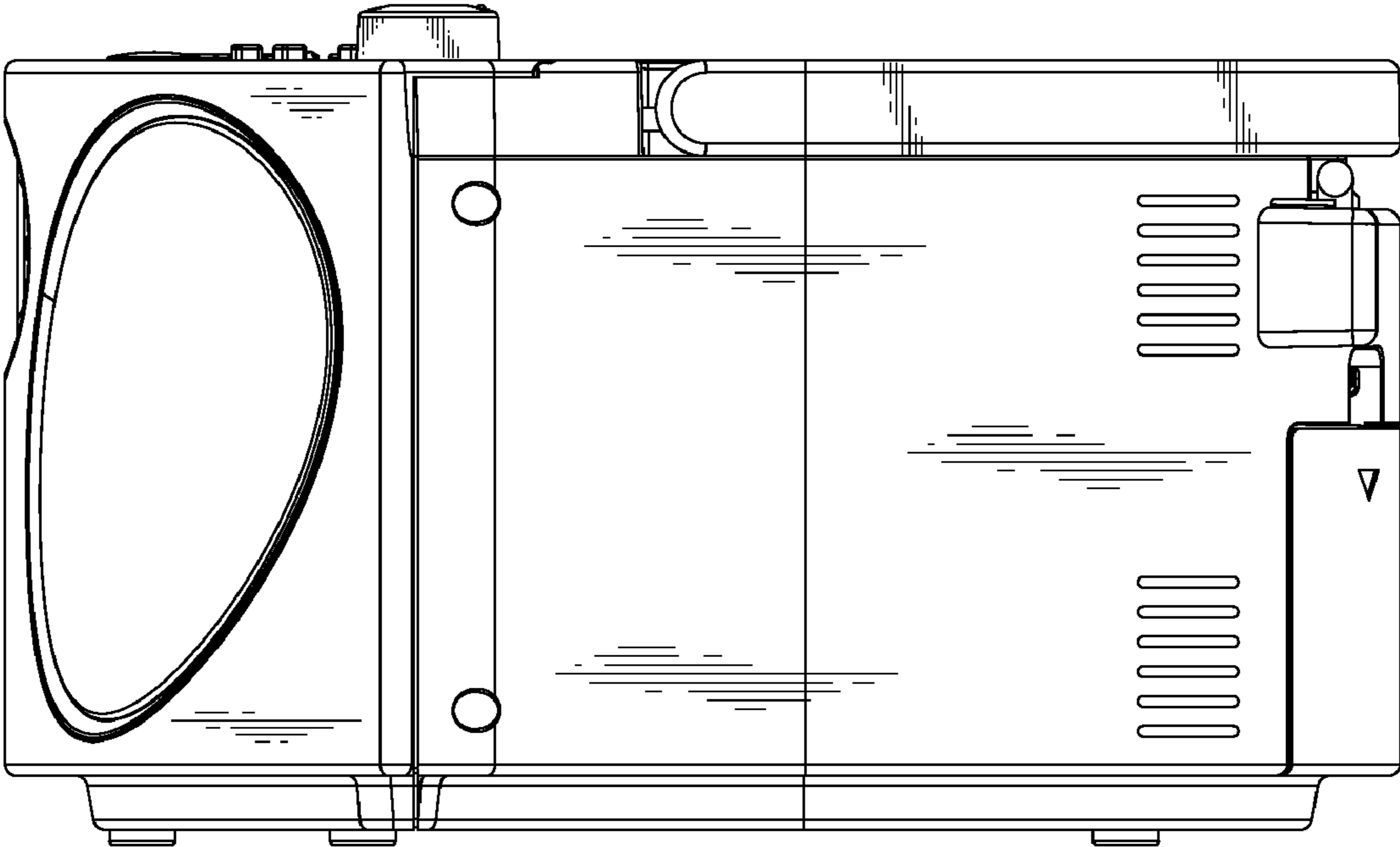


Fig.4

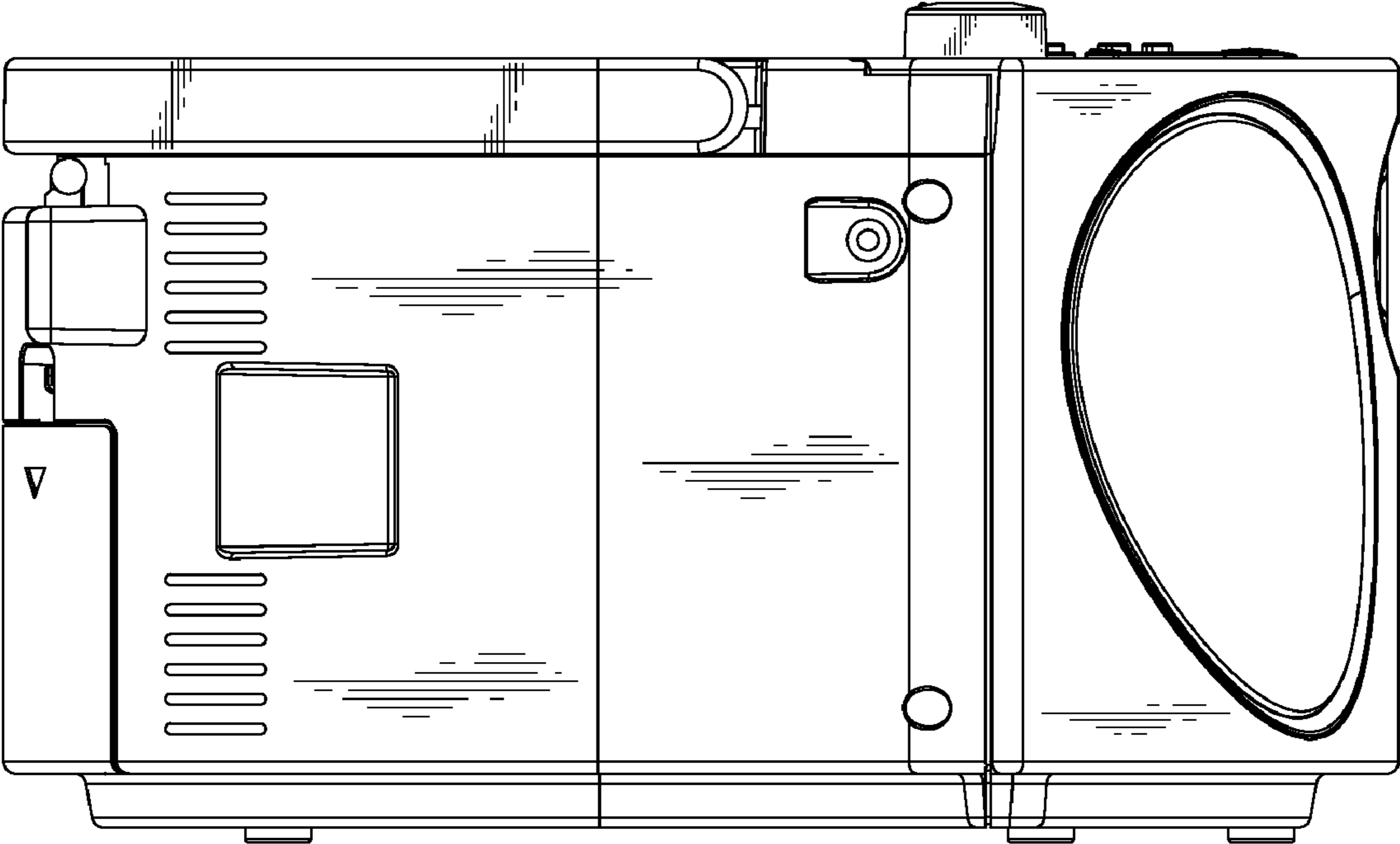


Fig.5

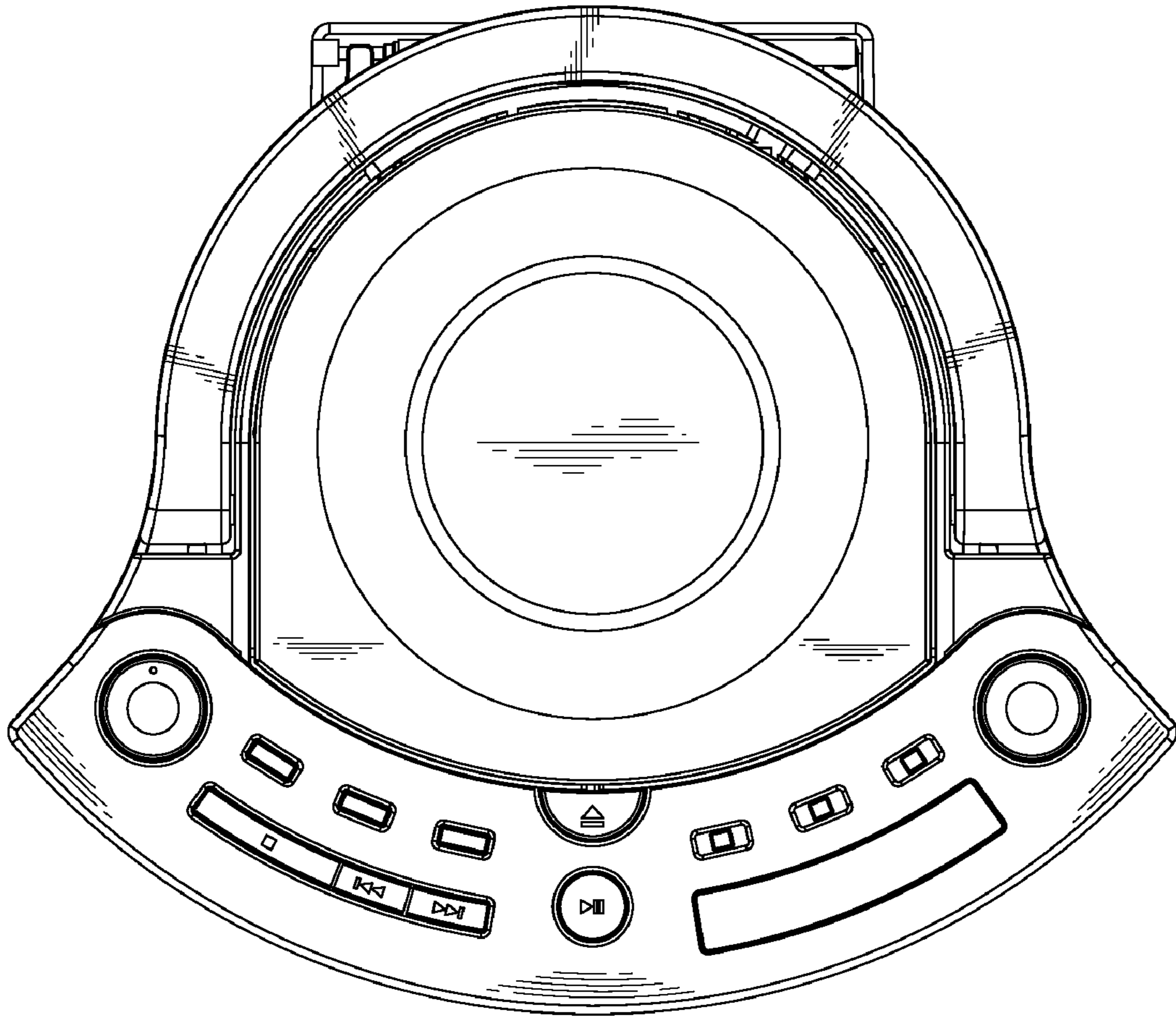


Fig.6

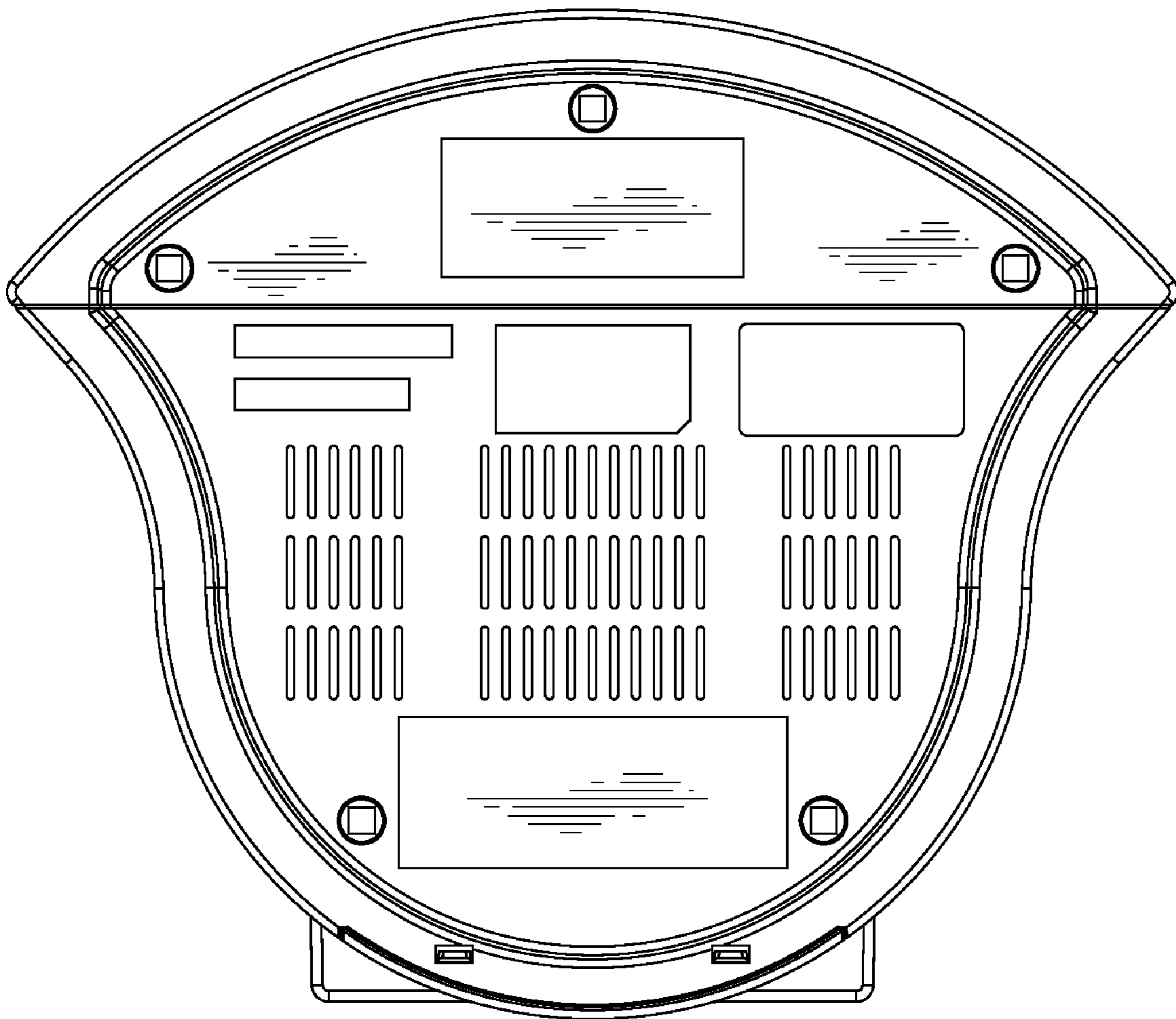


Fig.7