



US00D617303S

(12) **United States Design Patent**  
**Hasegawa et al.**

(10) **Patent No.:** **US D617,303 S**  
(45) **Date of Patent:** **\*\* Jun. 8, 2010**

(54) **TELEPHONE BASE UNIT**

(75) Inventors: **Takashi Hasegawa**, Osaka (JP); **Akira Nakajima**, Osaka (JP); **Masashi Furuno**, Osaka (JP)

(73) Assignee: **Panasonic Corporation**, Osaka (JP)

(\*\*) Term: **14 Years**

(21) Appl. No.: **29/350,971**

(22) Filed: **Nov. 25, 2009**

(51) **LOC (9) Cl.** ..... **14-03**

(52) **U.S. Cl.** ..... **D14/149**

(58) **Field of Classification Search** ..... D14/130,  
D14/140, 140.1, 140.8, 141.1, 141.3, 142,  
D14/149-151, 158-159, 168, 171-172, 188,  
D14/211, 214, 225-226, 240, 243, 251, 253,  
D14/299, 336, 215, 167, 210, 212, 509, 140.4,  
D14/140.5, 140.6, 242, 140.2, 138 R, 144,  
D14/434, 148; 379/387.01, 388.02, 420.02,  
379/447, 453, 434; 381/16; D13/107-108,  
D13/168; 455/351, 412.1

See application file for complete search history.

(56) **References Cited**

**U.S. PATENT DOCUMENTS**

D215,159 S *	9/1969	Dreyfuss	.....	D14/140
D217,620 S *	5/1970	Dreyfuss	.....	D14/140
D218,688 S *	9/1970	Dreyfuss	.....	D14/140
D223,833 S *	6/1972	Dreyfuss	.....	D14/140
D292,921 S	11/1987	Korellis		
D294,253 S	2/1988	Read		
D334,747 S	4/1993	Roegner		
D351,132 S	10/1994	Brooks et al.		
D367,651 S	3/1996	Hellier et al.		
D369,344 S *	4/1996	Lindeman et al.	.....	D13/108
D375,954 S	11/1996	Smith		
D385,530 S *	10/1997	Hames et al.	.....	D13/107
D393,625 S *	4/1998	Riccobon	.....	D13/107
D395,280 S	6/1998	Phelps		
D409,190 S	5/1999	Tamura et al.		
5,946,637 A *	8/1999	Umbach et al.	.....	455/573

5,977,746 A *	11/1999	Hershberger et al.	.....	320/112
6,130,521 A *	10/2000	Collins et al.	.....	320/115
D442,939 S *	5/2001	Goldenburg	.....	D14/191
D456,795 S	5/2002	Hughes et al.		
D460,446 S	7/2002	Hughes et al.		

(Continued)

**OTHER PUBLICATIONS**

Panasonic KX-TG6411T, <URL:http://www2.panasonic.com/consumer-electronics/shop/Phones-Fax/Telephones/DECT-6-0-Phones/model.KX-TG6411T\_11002\_700000000000005702>, retrieved from internet Feb. 26, 2010.\*

(Continued)

*Primary Examiner*—Robert M Spear  
*Assistant Examiner*—Carla Jobe Wright  
(74) *Attorney, Agent, or Firm*—Brinks Hofer Gilson & Lione

(57) **CLAIM**

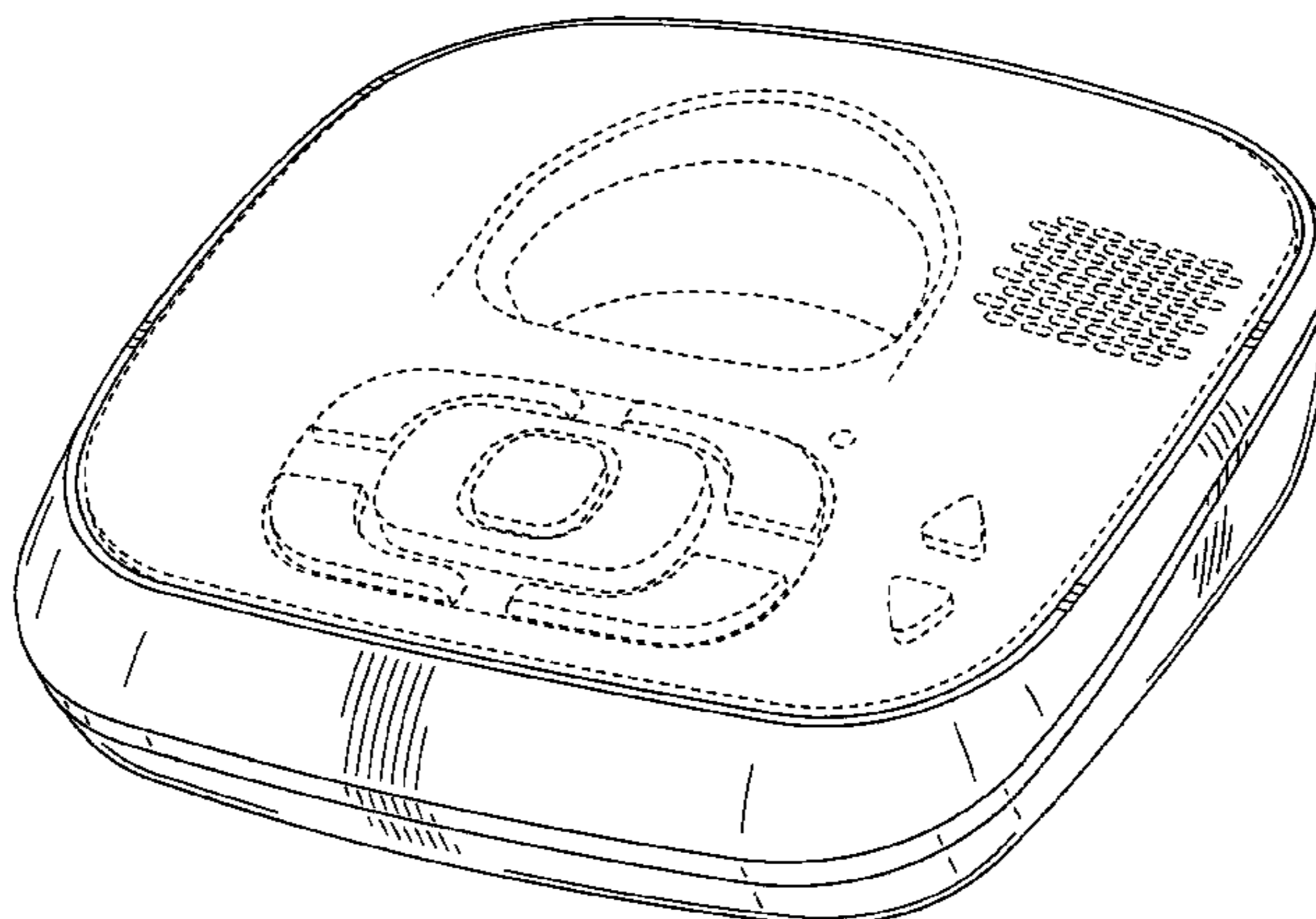
We claim the ornamental design for a telephone base unit, as shown and described.

**DESCRIPTION**

FIG. 1 is a top perspective view of a first embodiment of a telephone base unit of the present invention;  
FIG. 2 is a front view thereof;  
FIG. 3 is a rear view thereof;  
FIG. 4 is a first side view thereof;  
FIG. 5 is a second side view thereof;  
FIG. 6 is a top view thereof;  
FIG. 7 is a bottom view thereof; and,  
FIG. 8 is a top perspective view thereof shown in an environment of use.

The broken line showing of telephone base unit is included for the purpose of illustrating environment and forms no part of the claimed design.

**1 Claim, 8 Drawing Sheets**



# US D617,303 S

Page 2

## U.S. PATENT DOCUMENTS

D466,476 S 12/2002 Stratford  
D469,074 S 1/2003 Muenschler et al.  
D488,440 S 4/2004 Senda  
D489,323 S 5/2004 Yoshida  
D495,312 S 8/2004 Fitzgerald  
D525,233 S 7/2006 Franck et al.  
D528,979 S 9/2006 Franck et al.  
D530,302 S 10/2006 Franck et al.  
D544,476 S 6/2007 Wilson et al.  
D553,154 S 10/2007 Kim  
D554,105 S 10/2007 Langberg et al.  
D554,115 S 10/2007 Liu et al.  
D554,116 S 10/2007 Liu et al.  
D558,193 S 12/2007 Ju  
D558,228 S 12/2007 Toh et al.  
D558,749 S 1/2008 Furuno et al.  
D562,762 S \* 2/2008 Saddlemire et al. .... D13/108  
D566,041 S 4/2008 Stratford  
D570,324 S 6/2008 Furuno et al.  
D570,820 S 6/2008 Katori  
D571,775 S \* 6/2008 Waterman et al. .... D14/148  
D576,581 S 9/2008 Son et al.  
D576,997 S 9/2008 Furuno et al.  
D577,705 S 9/2008 Marquez

D582,383 S 12/2008 Hasegawa et al.  
D586,800 S 2/2009 Andre et al.  
D596,611 S 7/2009 Hasegawa et al.  
D598,449 S 8/2009 Landry et al.  
D608,732 S \* 1/2010 Hillard ..... D13/107  
D609,637 S \* 2/2010 Chu et al. .... D13/108  
D609,638 S \* 2/2010 Biheller et al. .... D13/108

## OTHER PUBLICATIONS

Panasonic KX-TG1061M, <URL:[http://www2.panasonic.com/consumer-electronics/shop/Phones-Fax/Telephones/DECT-6-0-Phones/model.KX-TG1061M\\_11002\\_7000000000000005702](http://www2.panasonic.com/consumer-electronics/shop/Phones-Fax/Telephones/DECT-6-0-Phones/model.KX-TG1061M_11002_7000000000000005702)>, retrieved from internet Feb. 26, 2010.\*  
Panasonic KX-TG9344T, <URL:[http://www2.panasonic.com/consumer-electronics/shop/Phones-Fax/Telephones/DECT-6-0-Phones/model.KX-TG9344T\\_11002\\_7000000000000005702](http://www2.panasonic.com/consumer-electronics/shop/Phones-Fax/Telephones/DECT-6-0-Phones/model.KX-TG9344T_11002_7000000000000005702)>, retrieved from internet Feb. 26, 2010.\*  
Panasonic KX-TG9333T, <URL:[http://www2.panasonic.com/consumer-electronics/shop/Phones-Fax/Telephones/DECT-6-0-Phones/model.KX-TG9333T\\_11002\\_7000000000000005702](http://www2.panasonic.com/consumer-electronics/shop/Phones-Fax/Telephones/DECT-6-0-Phones/model.KX-TG9333T_11002_7000000000000005702)>, retrieved from internet Feb. 26, 2010.\*  
GE/RCA 27907GE1, <URL:<http://www.101phones.com/details/18512-1823/ge-rca-27907ge1.html>>, retrieved from internet Feb. 26, 2010.\*

\* cited by examiner

FIG.1

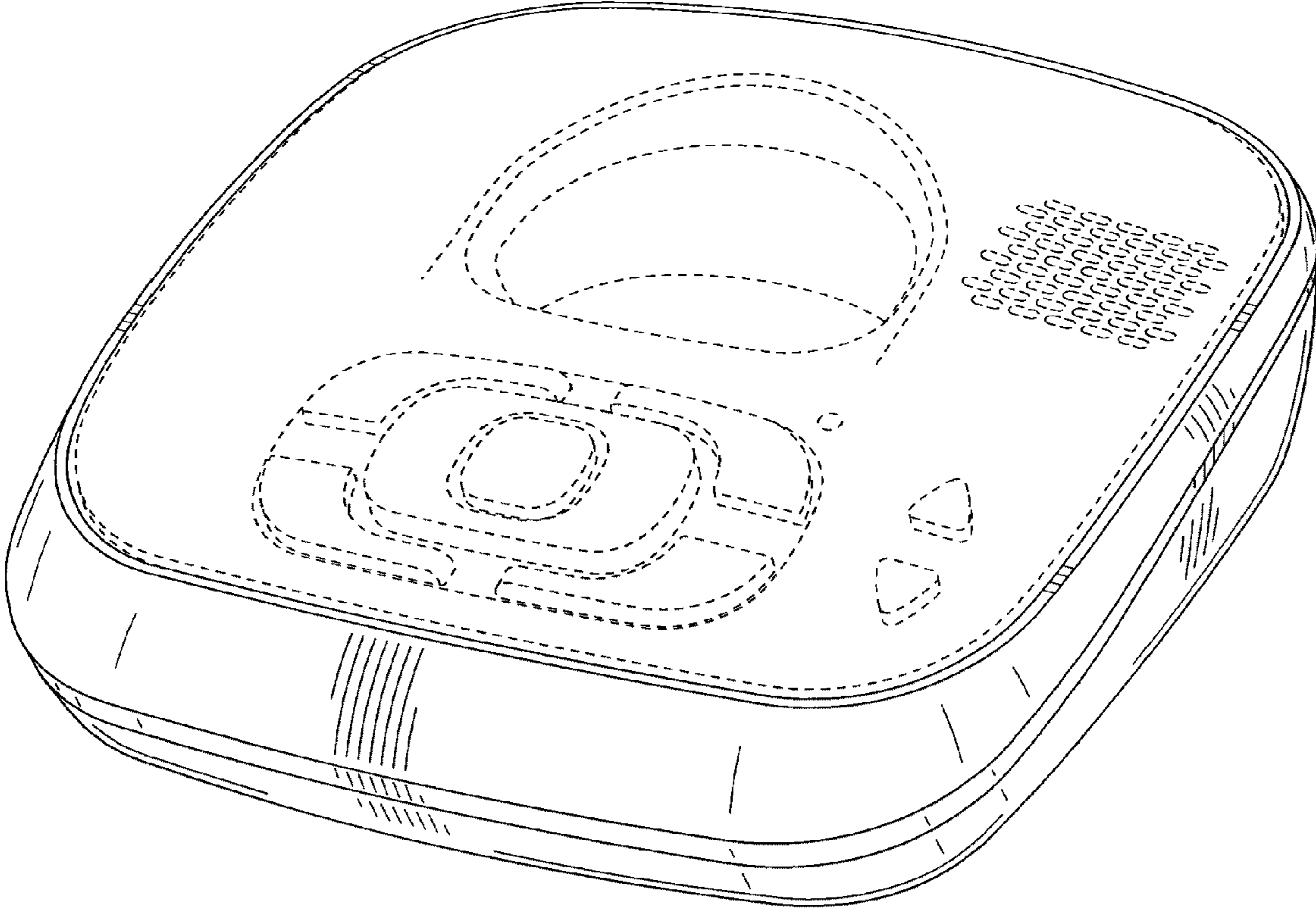


FIG.2

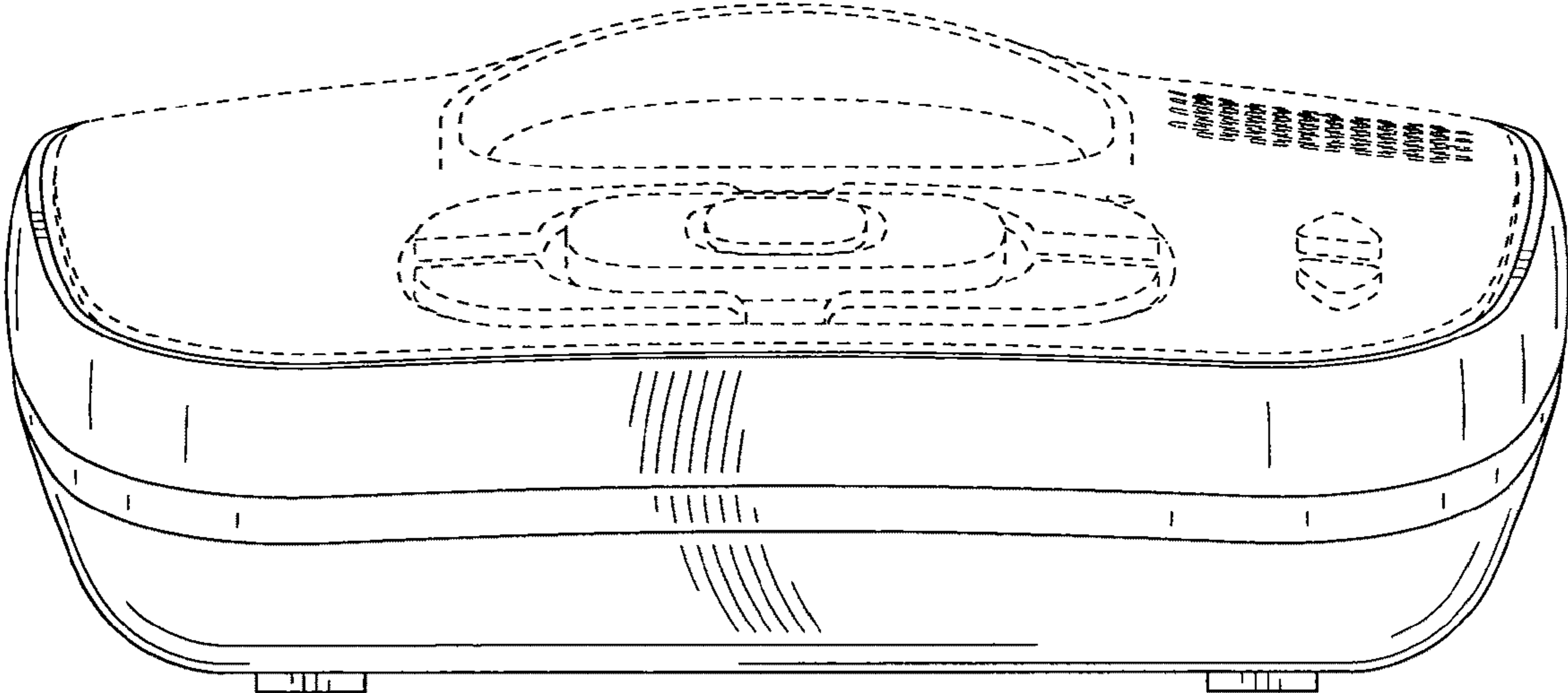


FIG.3

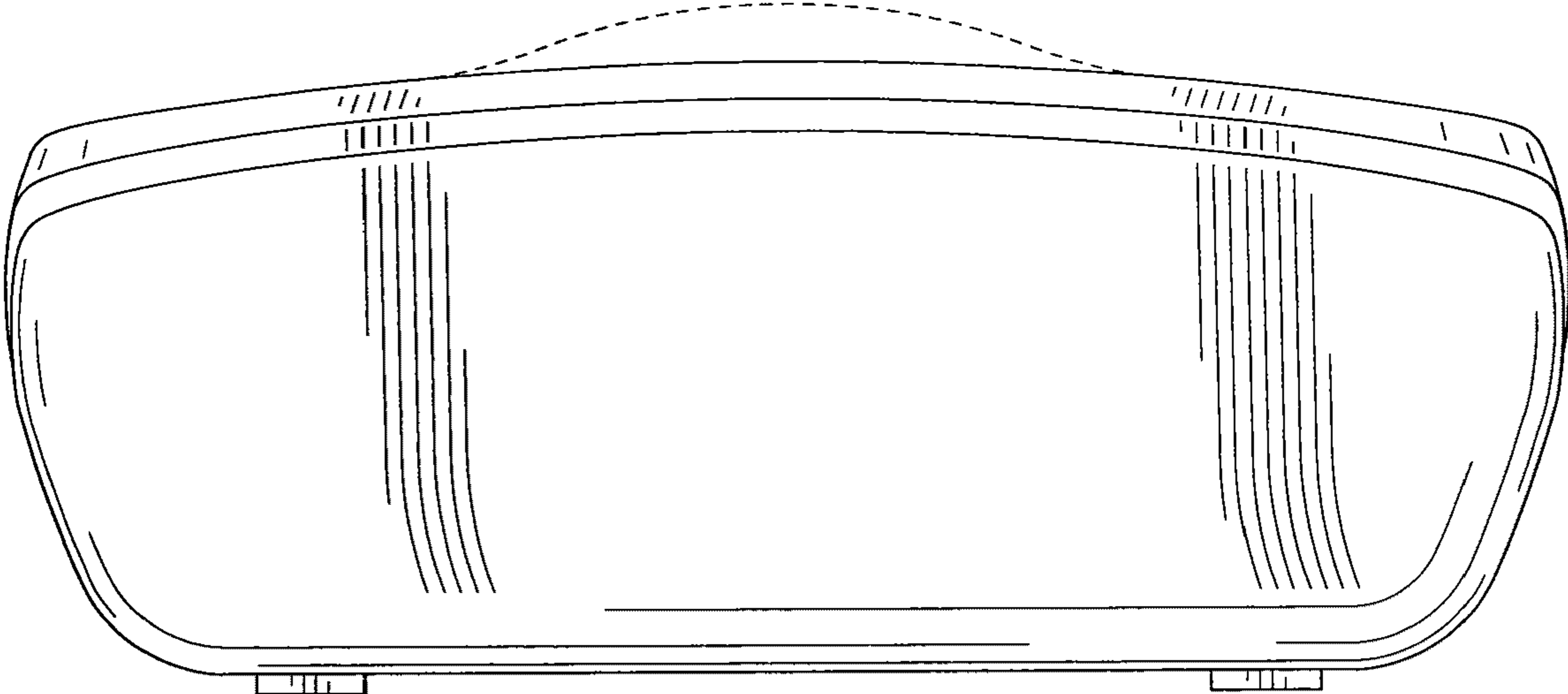


FIG.4

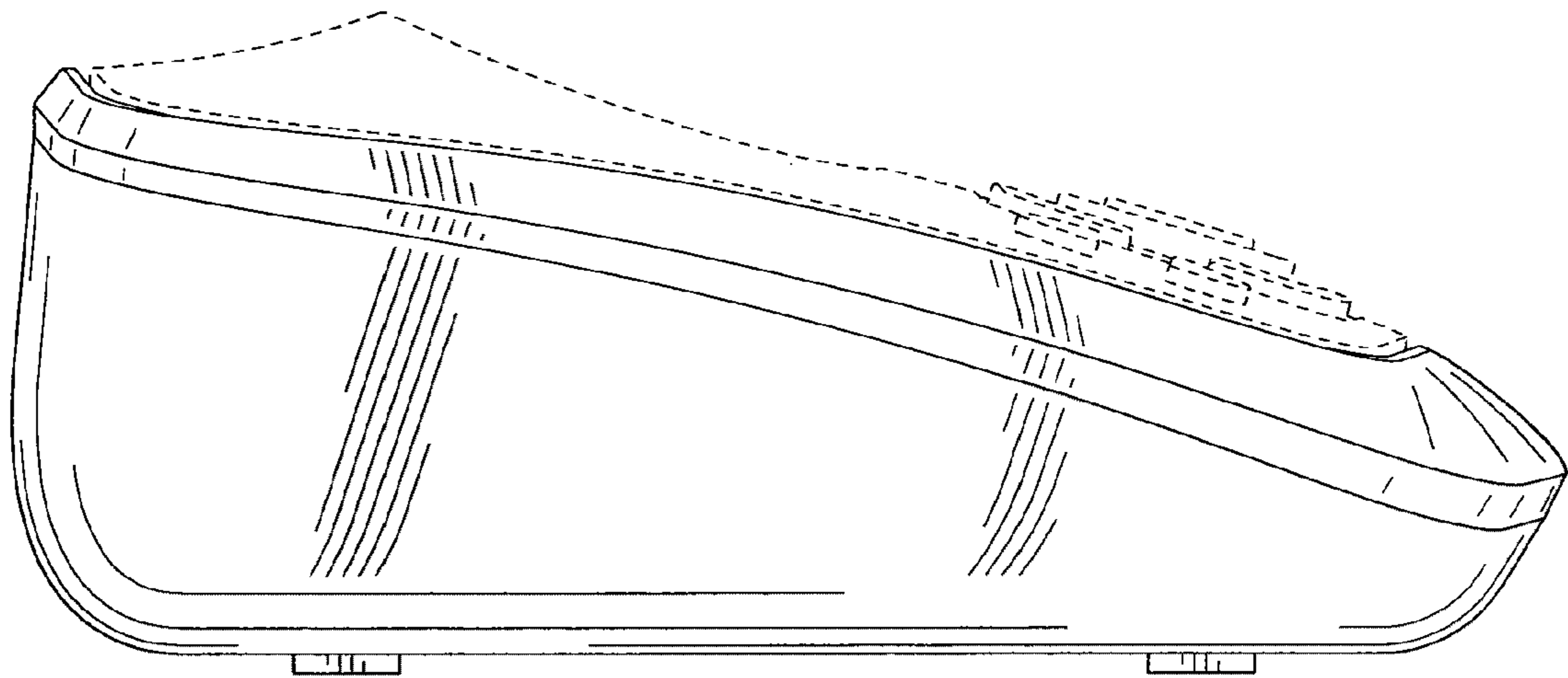


FIG.5

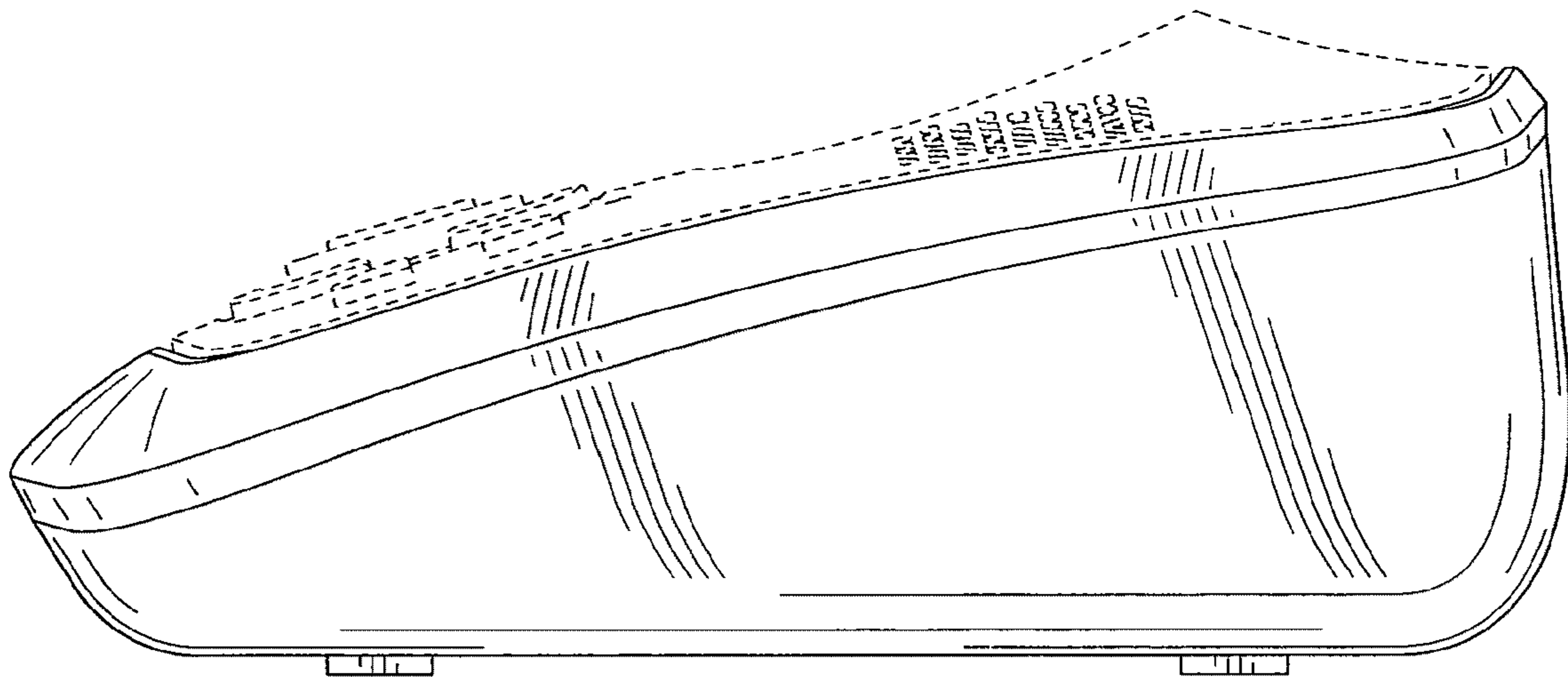
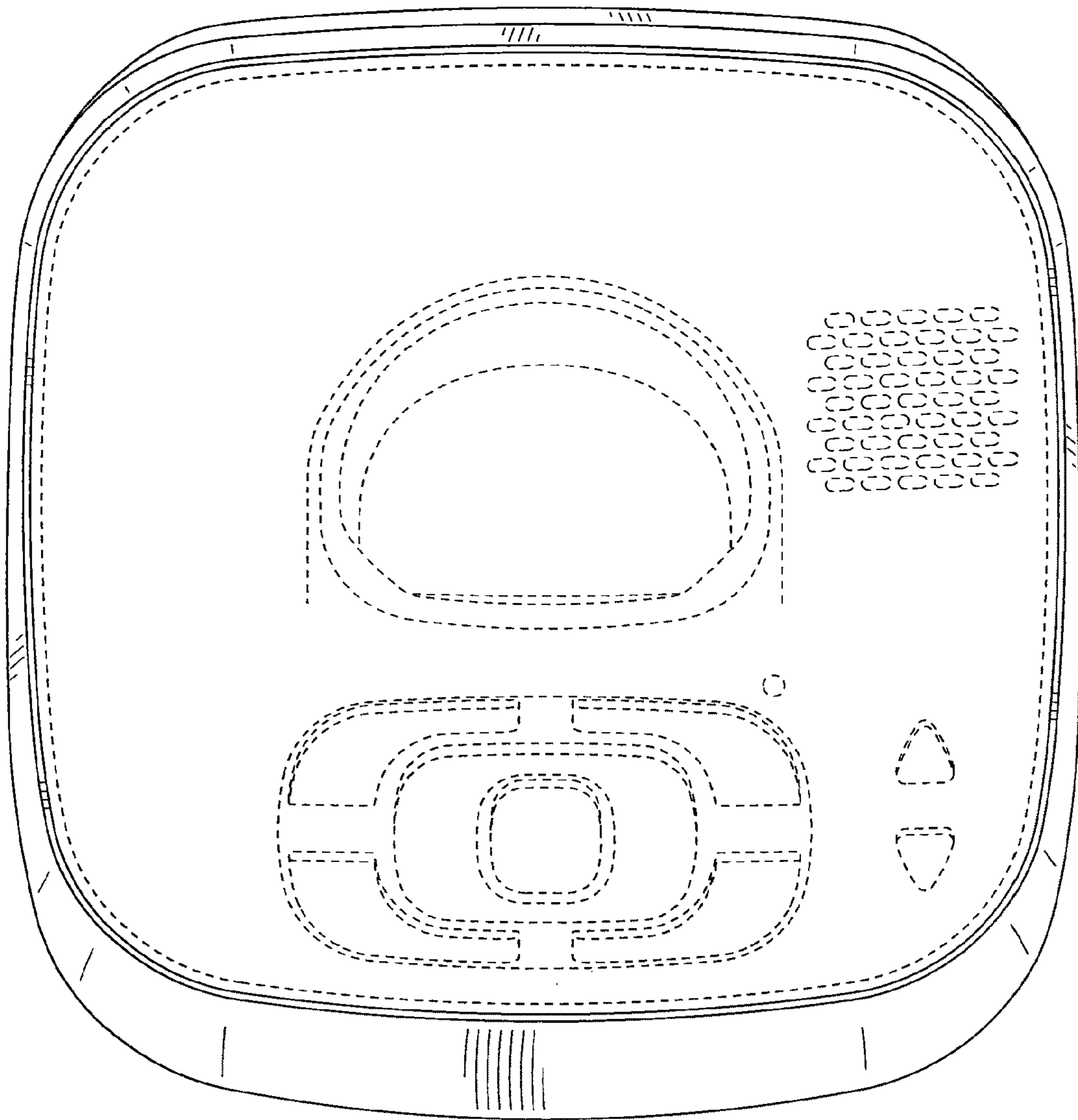


FIG.6





**FIG.7**

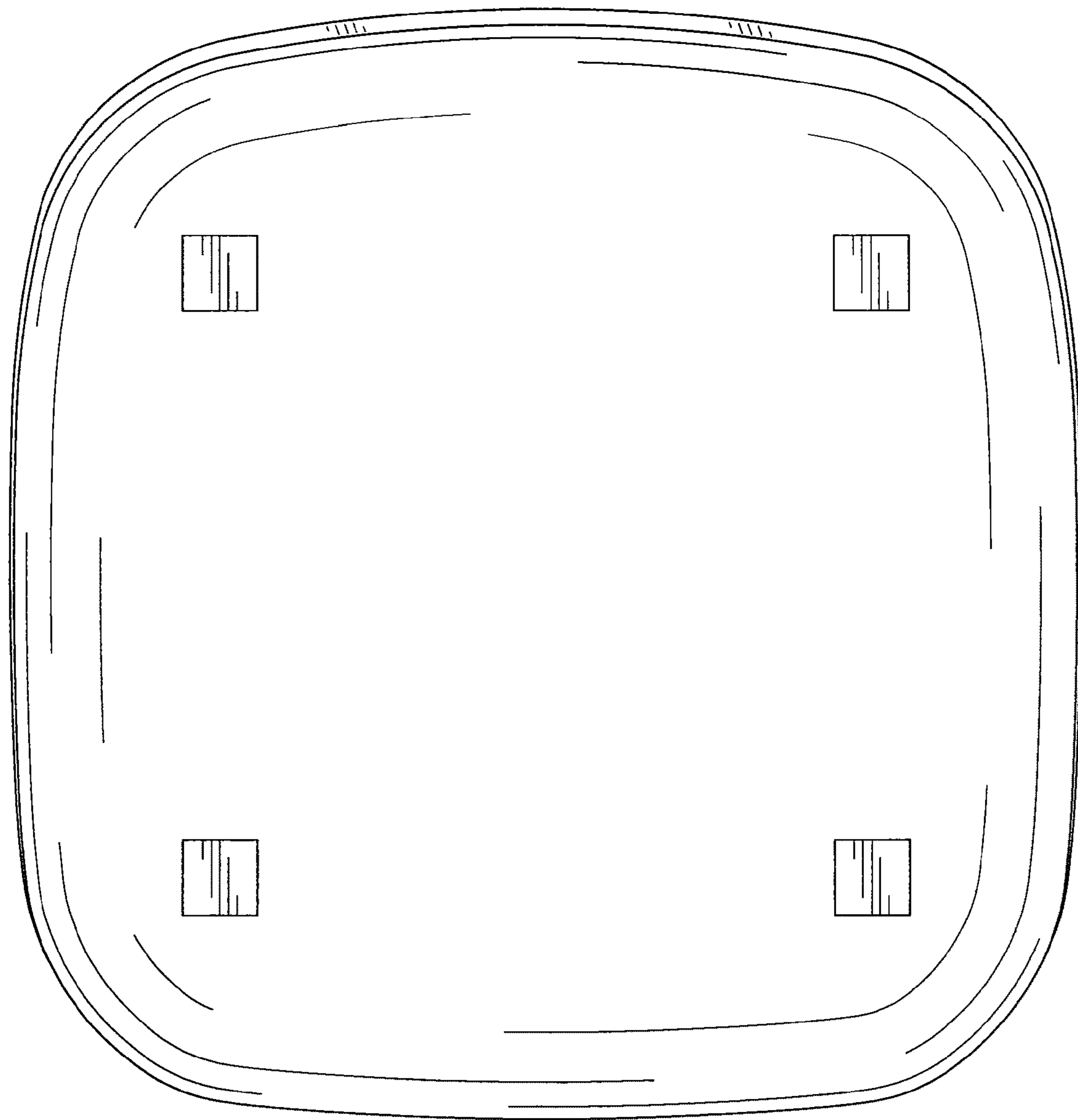


FIG.8

