



US00D617300S

(12) **United States Design Patent**
Tzeng et al.

(10) **Patent No.:** **US D617,300 S**
(45) **Date of Patent:** **** Jun. 8, 2010**

(54) **MOBILE PHONE**

(75) Inventors: **Guan-Hua Tzeng**, Tu-Cheng (TW);
Kun-Wei Tsai, Tu-Cheng (TW)

(73) Assignee: **Cheng Uei Precision Industry Co., Ltd.**, Tu-Cheng, Taipei Hsien (TW)

(**) Term: **14 Years**

(21) Appl. No.: **29/344,144**

(22) Filed: **Sep. 24, 2009**

(51) **LOC (9) Cl.** **14-03**

(52) **U.S. Cl.** **D14/138 AA**

(58) **Field of Classification Search** D14/341-347,
D14/147, 496, 203.3, 203.4, 203.7, 138 AA,
D14/138 R, 138 AD; 455/575.1, 575.4, 556.2
See application file for complete search history.

(56) **References Cited**

U.S. PATENT DOCUMENTS

D545,800 S *	7/2007	Ou et al.	D14/138 AA
D546,314 S *	7/2007	Im	D14/138 AA
D546,316 S *	7/2007	Wu et al.	D14/138 AA
D549,208 S *	8/2007	Huang et al.	D14/138 AA
D555,624 S *	11/2007	Lee et al.	D14/138 AA
D563,379 S *	3/2008	Mai et al.	D14/138 AA
D572,700 S *	7/2008	Kwon et al.	D14/138 AA
D574,805 S *	8/2008	Cobb	D14/138 AA
D576,589 S *	9/2008	Montin et al.	D14/138 AA
D583,343 S *	12/2008	Lee et al.	D14/138 AA
D583,352 S *	12/2008	Son et al.	D14/138 AA
D584,269 S *	1/2009	Baik et al.	D14/138 AA
D585,039 S *	1/2009	Wang et al.	D14/138 AA
D587,669 S *	3/2009	Aarras	D14/138 AA
D588,087 S *	3/2009	Stone	D14/138 AA
D589,484 S *	3/2009	Nenonen	D14/138 AA
D589,925 S *	4/2009	Shi	D14/138 AA
D595,680 S *	7/2009	Schellen	D14/138 AA
D597,540 S *	8/2009	Schellen	D14/248
D598,887 S *	8/2009	Xiao et al.	D14/138 AA
D598,888 S *	8/2009	Wei et al.	D14/138 AA
D600,665 S *	9/2009	Lee et al.	D14/138 AA
D601,116 S *	9/2009	Baik et al.	D14/138 AA

D601,531 S *	10/2009	Lee et al.	D14/138 AA
D601,533 S *	10/2009	Youn et al.	D14/138 AA
D606,039 S *	12/2009	Henning	D14/138 AA
D606,062 S *	12/2009	Stone et al.	D14/248
D607,859 S *	1/2010	Stone	D14/138 AA
D607,867 S *	1/2010	Baik et al.	D14/138 AA
D608,355 S *	1/2010	Fahlgren et al.	D14/248
2006/0046776 A1 *	3/2006	Chen	455/556.1

OTHER PUBLICATIONS

Nokia 7310 Supernova telephone, announced Jun. 2008, [online], [site visited Jan. 19, 2010]. Available from Internet ,<URL: http://www.gsmarena.com>.*

Samsung T401g telephone, announced Oct. 2009, [online], [site visited Jan. 19, 2010]. Available from Internet ,<URL: http://www.gsmarena.com>.*

(Continued)

Primary Examiner—Jeffrey D Asch

(74) *Attorney, Agent, or Firm*—Cheng-Ju Chiang

(57) **CLAIM**

The ornamental design for mobile phone, as shown and described.

DESCRIPTION

FIG. 1 is a perspective view of mobile phone showing our new design;

FIG. 2 is a front elevational view thereof;

FIG. 3 is a rear elevational view thereof;

FIG. 4 is a left side elevational view thereof;

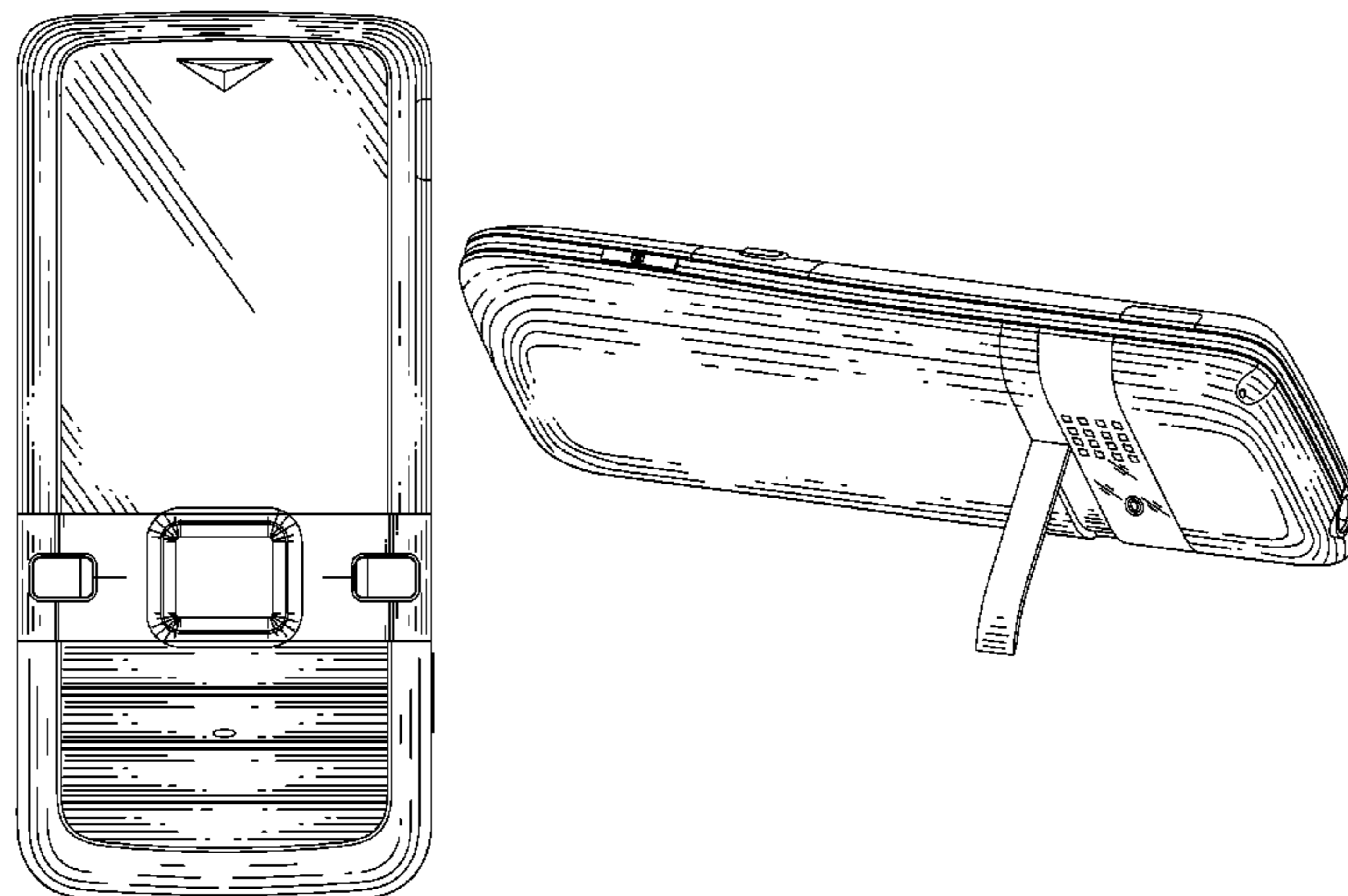
FIG. 5 is a right side elevational view thereof;

FIG. 6 is a top plan view thereof;

FIG. 7 is a bottom plan view thereof; and,

FIG. 8 is another perspective view of mobile phone showing our new design with extending away of a back support.

1 Claim, 8 Drawing Sheets



OTHER PUBLICATIONS

Sony Ericsson C901 telephone, announced Feb. 2009, [online], [site visited Jan. 19, 2010]. Available from Internet ,<URL: <http://www.gsmarena.com>>.*

Sony Ericsson K530 telephone, announced Jun. 2007, [online], [site visited Jan. 19, 2010]. Available from Internet ,<URL: <http://www.gsmarena.com>>.*

Vodafone 716 telephone, announced Feb. 2008, [online], [site visited Jan. 19, 2010]. Available from Internet ,<URL: <http://www.gsmarena.com>>.*

Huawei U1100 telephone, announced 2008, [online], [site visited Jan. 19, 2010]. Available from Internet ,<URL: <http://www.gsmarena.com>>.*

i-mobile TV 603 telephone, announced Jul. 2009, [online], [site visited Jan. 19, 2010]. Available from Internet ,<URL: <http://www.gsmarena.com>>.*

Vodafone 835 telephone, announced Feb. 2009, [online], [site visited Jan. 19, 2010]. Available from Internet ,<URL: <http://www.gsmarena.com>>.*

Vodafone 540 telephone, announced Nov. 2009, [online], [site visited Jan. 19, 2010]. Available from Internet ,<URL: <http://www.gsmarena.com>>.*

Sagem my400X telephone, announced Oct. 2006, [online], [site visited Jan. 19, 2010]. Available from Internet ,<URL: <http://www.gsmarena.com>>.*

LG B2250 telephone, announced 3rd quarter 2005, [online], [site visited Jan. 19, 2010]. Available from Internet ,<URL: <http://www.gsmarena.com>>.*

LG KU250 telephone, announced Feb. 2007, [online], [site visited Jan. 19, 2010]. Available from Internet ,<URL: <http://www.gsmarena.com>>.*

* cited by examiner

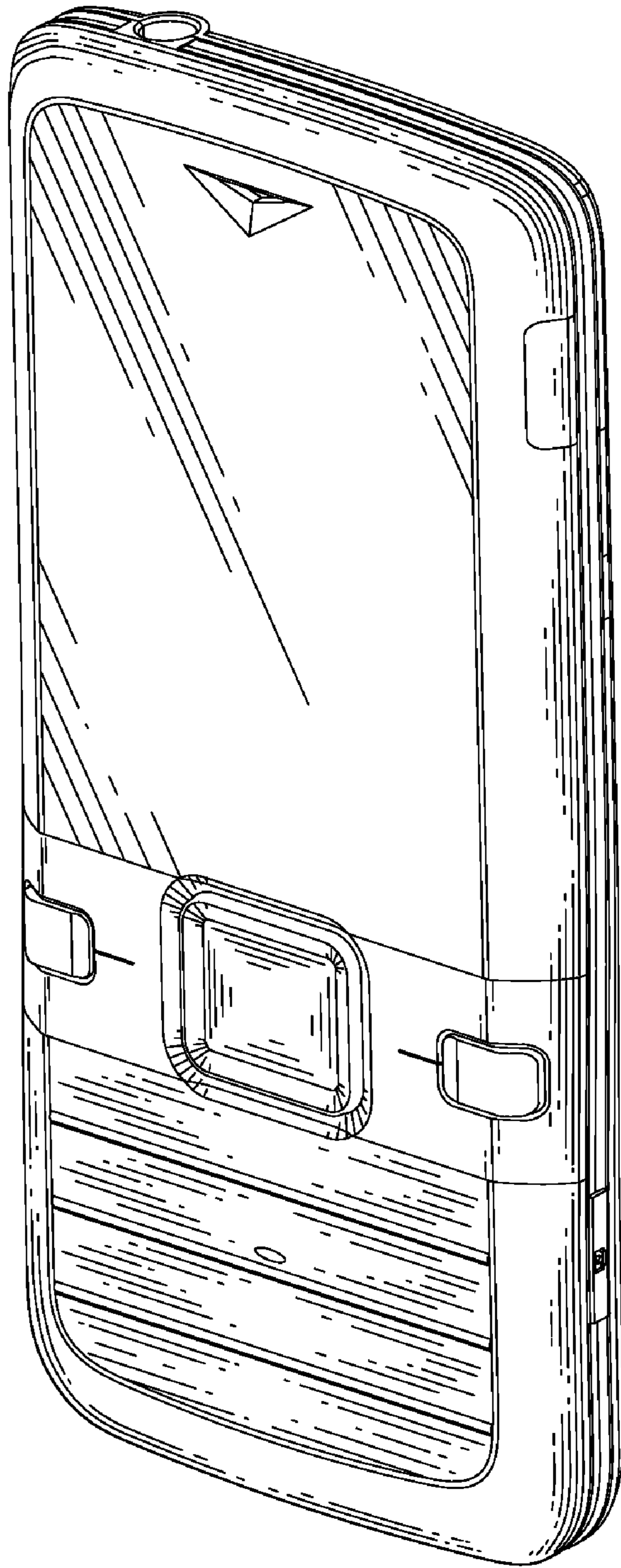


FIG. 1

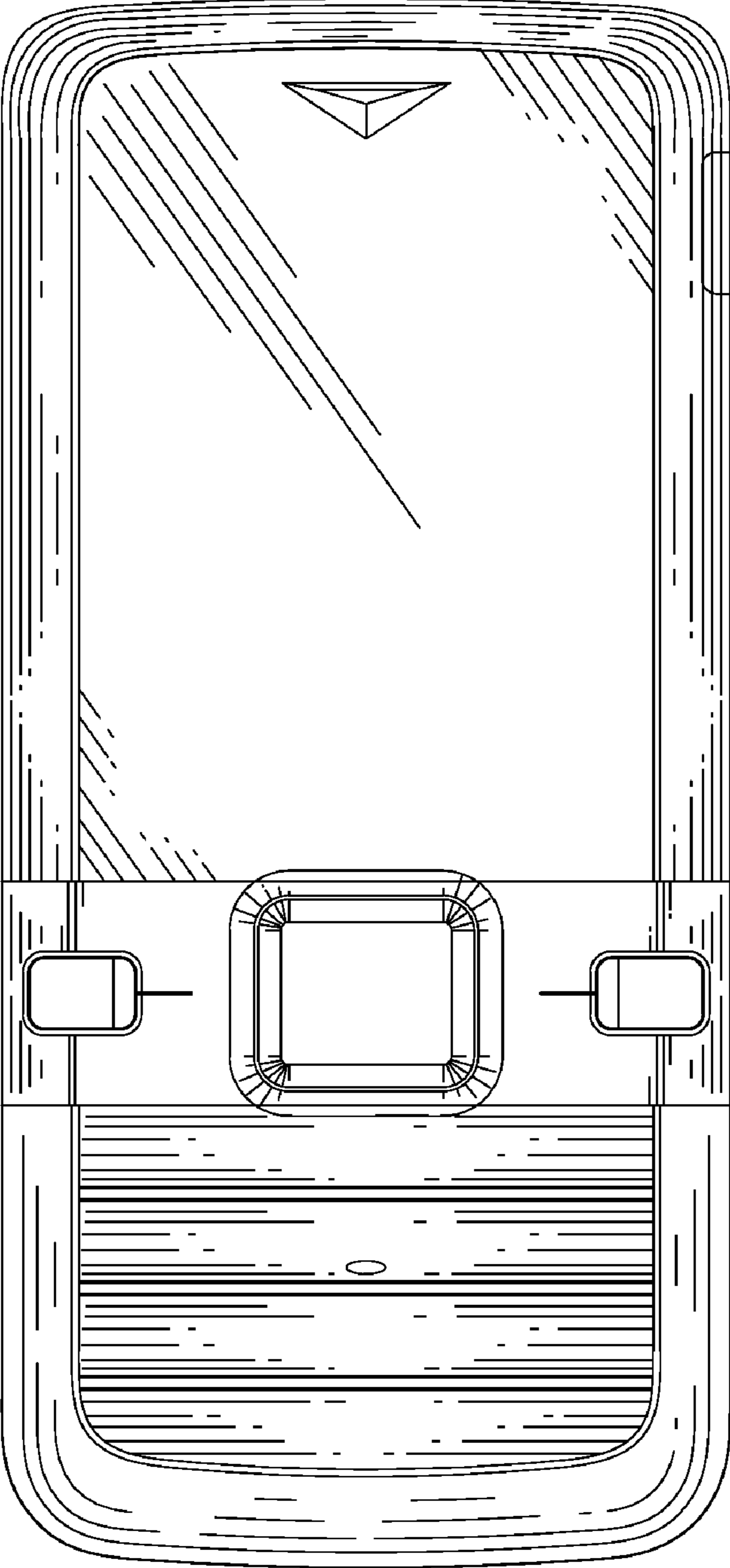


FIG. 2

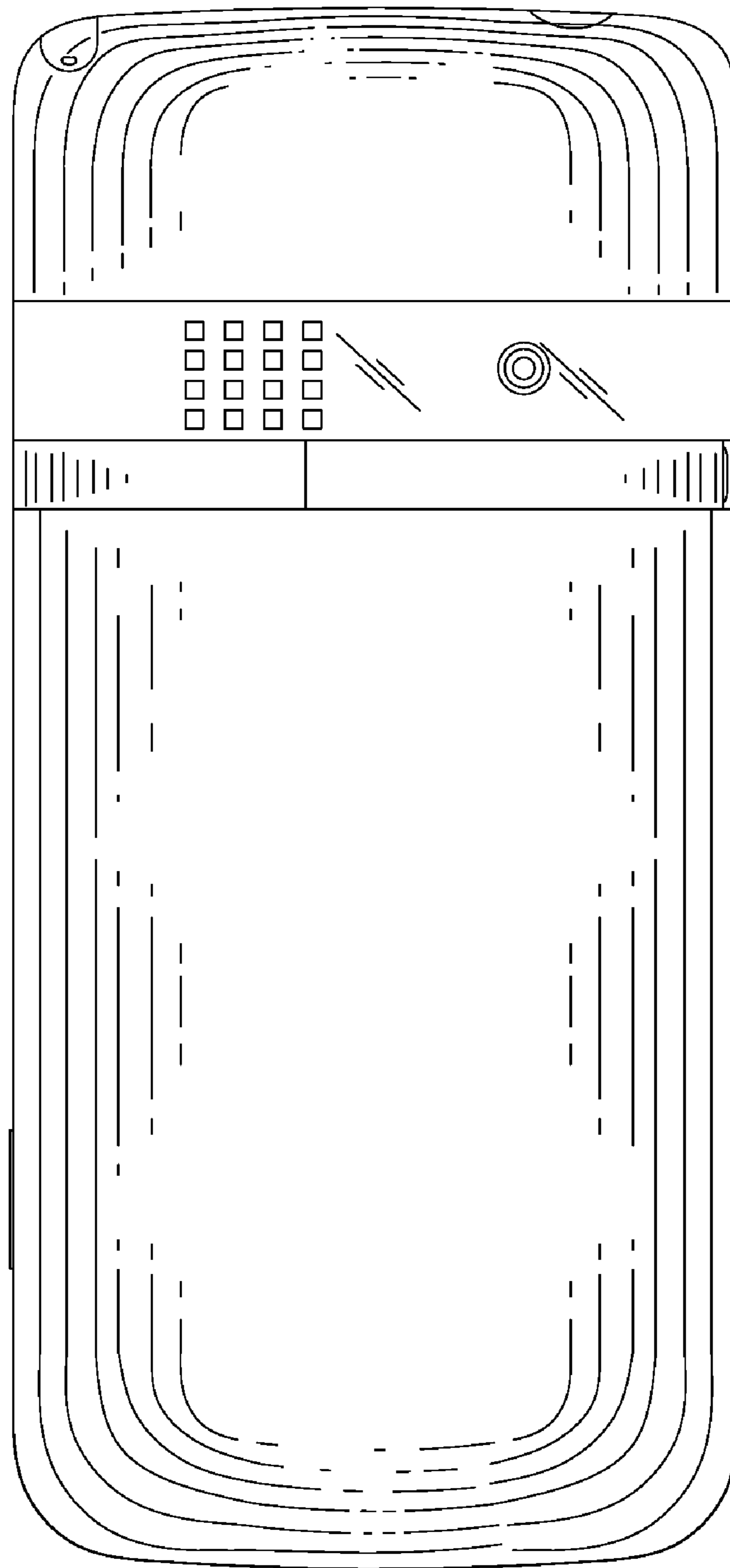


FIG. 3

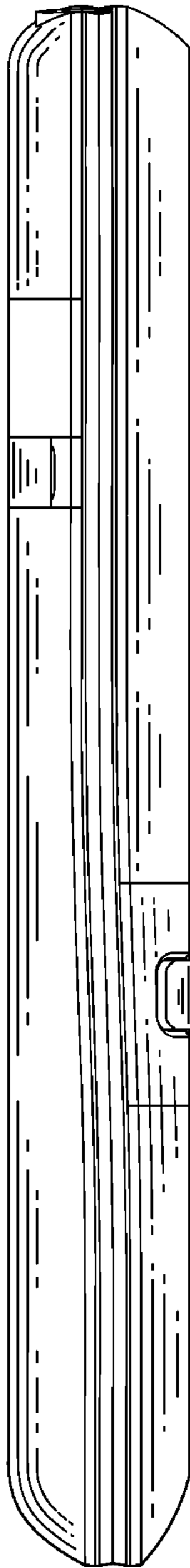


FIG. 4

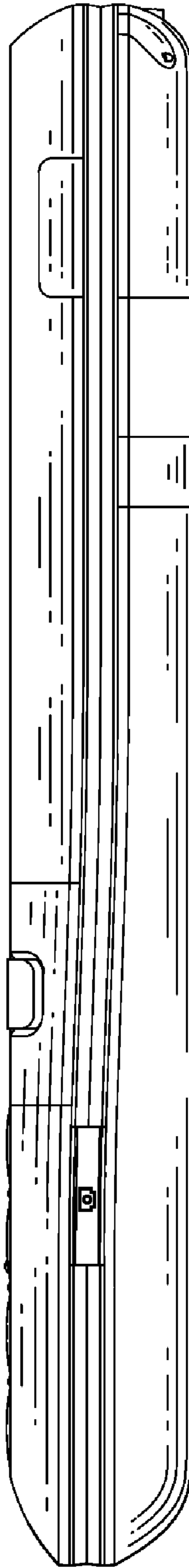


FIG. 5

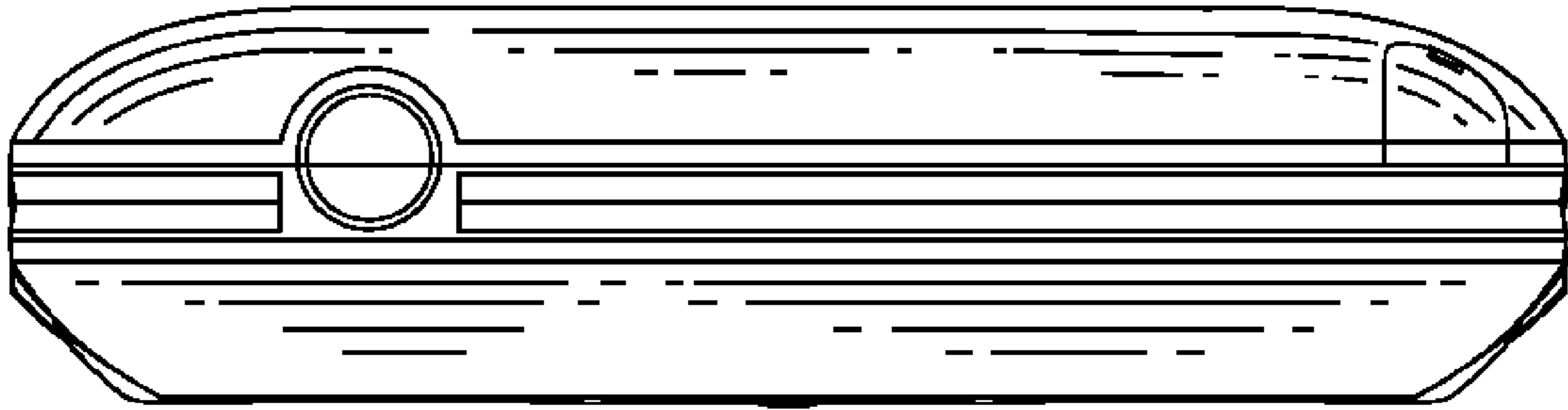


FIG. 6

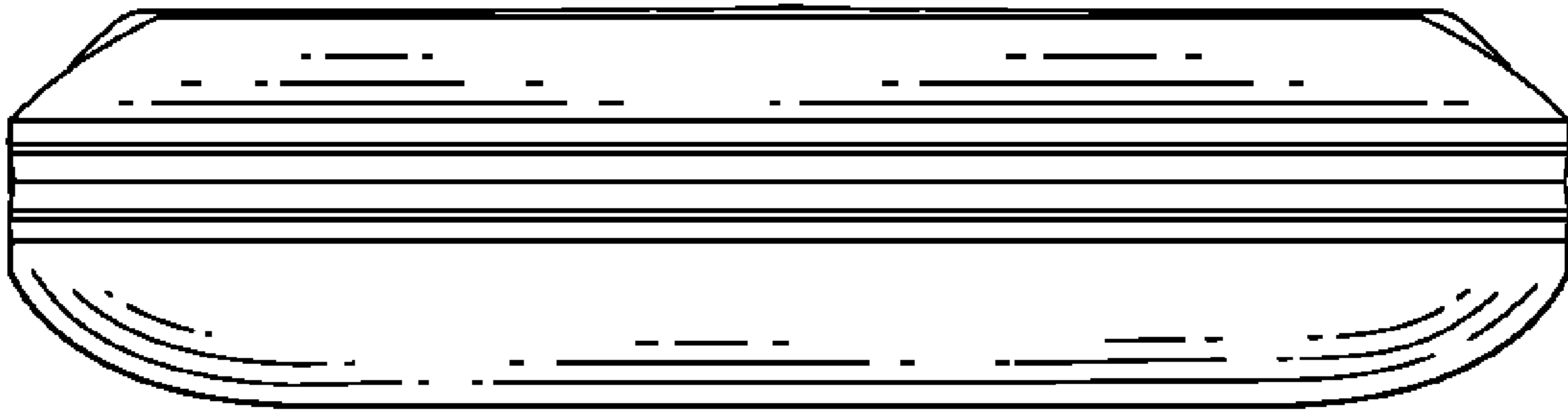


FIG. 7

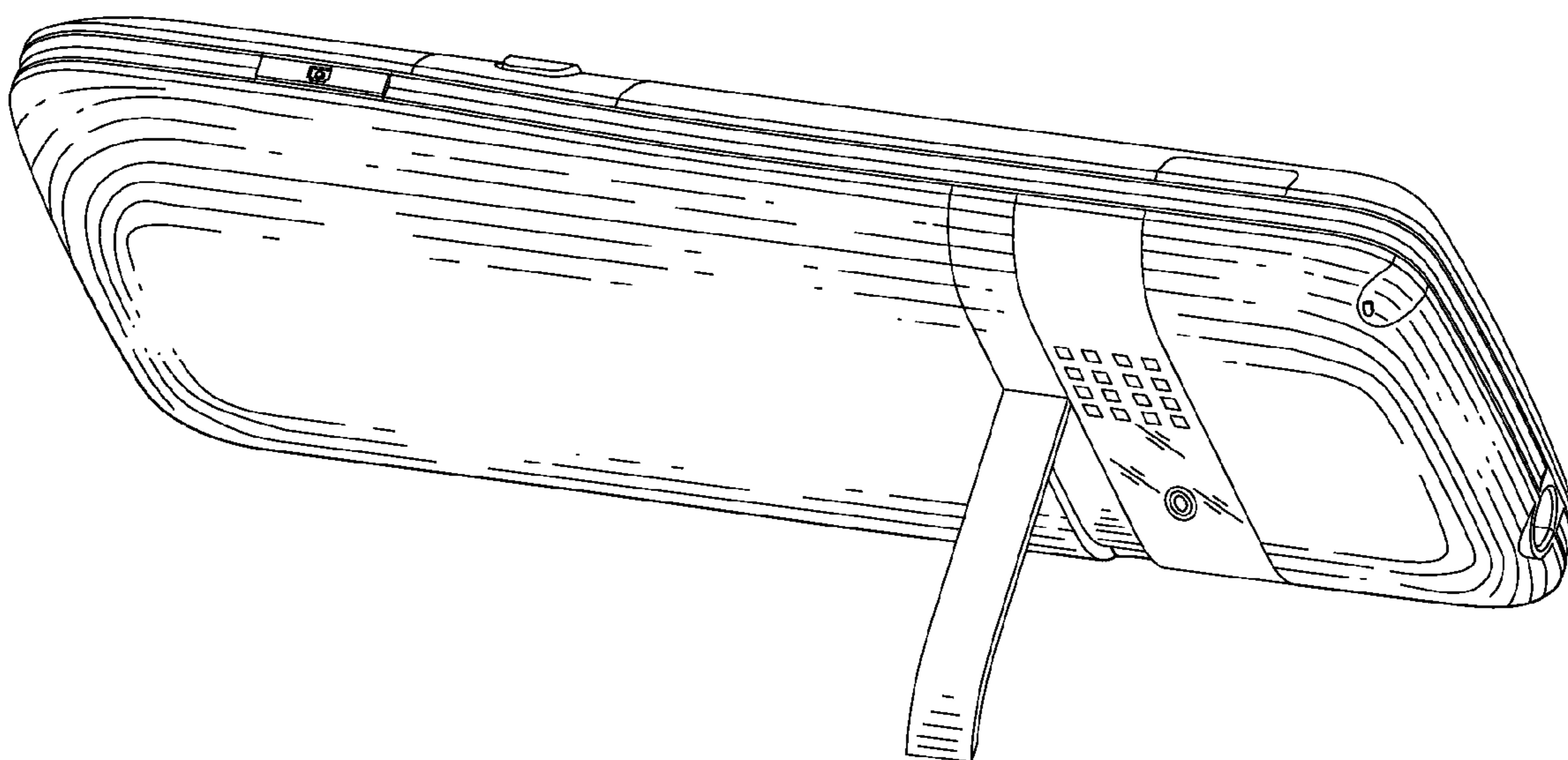


FIG. 8