



US00D617288S

(12) **United States Design Patent**  
**Yang**

(10) **Patent No.:** **US D617,288 S**

(45) **Date of Patent:** **\*\* Jun. 8, 2010**

(54) **DEFINITE PURPOSE (DP) CONTACTOR FOR AIR-CONDITIONING SYSTEMS**

(75) Inventor: **Qinghua Yang**, Suzhou (CN)

(73) Assignee: **Siemens Aktiengesellschaft**, Munich (DE)

(\*\*) Term: **14 Years**

(21) Appl. No.: **29/237,843**

(22) Filed: **Sep. 8, 2005**

(30) **Foreign Application Priority Data**

Mar. 9, 2005 (CN) ..... 2005 3 0034748

(51) **LOC (9) Cl.** ..... **23-01**

(52) **U.S. Cl.** ..... **D13/159**

(58) **Field of Classification Search** ..... D23/341;  
D13/146-147, 158-159, 160; 200/280, 303,  
200/293, 294, 297; 335/131-133, 202, 196,  
335/262, 251

See application file for complete search history.

(56) **References Cited**

**U.S. PATENT DOCUMENTS**

D274,720	S	*	7/1984	Hannich et al.	.....	D13/159
4,739,293	A	*	4/1988	Hurley et al.	.....	335/132
D296,433	S	*	6/1988	Mizuno et al.	.....	D13/159
4,899,120	A	*	2/1990	Ohtake et al.	.....	335/132
D317,438	S	*	6/1991	Sako	.....	D13/159
D321,169	S	*	10/1991	Bouteiller	.....	D13/159
D325,566	S	*	4/1992	Bouteiller	.....	D13/159
D326,844	S	*	6/1992	Bouteiller	.....	D13/159
5,235,304	A	*	8/1993	Ohtake et al.	.....	335/132
D373,112	S	*	8/1996	Kim	.....	D13/159

5,844,457	A	*	12/1998	Eckroth et al.	.....	335/132
D406,105	S	*	2/1999	Gonser	.....	D13/159
5,933,064	A	*	8/1999	Hilfiker	.....	335/132
6,111,488	A	*	8/2000	Nakamura et al.	.....	335/132
D480,365	S	*	10/2003	Nurdogan	.....	D13/159
D480,690	S	*	10/2003	Nurdogan	.....	D13/159
D493,145	S	*	7/2004	Nurdogan	.....	D13/159
D494,546	S	*	8/2004	Nurdogan	.....	D13/159
2003/0052761	A1	*	3/2003	Smith et al.	.....	335/132
2003/0155996	A1	*	8/2003	Smith et al.	.....	335/132
2003/0210117	A1	*	11/2003	Arnholt	.....	335/132
2004/0217831	A1	*	11/2004	Bauer et al.	.....	335/202

\* cited by examiner

*Primary Examiner*—T. Chase Nelson

*Assistant Examiner*—Eric L Goodman

(74) *Attorney, Agent, or Firm*—Harness, Dickey & Pierce, P.L.C.

(57) **CLAIM**

The ornamental design for a definite purpose (DP) contactor for air-conditioning systems, as shown.

**DESCRIPTION**

FIG. 1 is a front elevational view of a definite purpose (DP) contactor for air-conditioning systems showing my new design;

FIG. 2 is a rear elevational view thereof;

FIG. 3 is a top plan view thereof;

FIG. 4 is a bottom plan view thereof;

FIG. 5 is a left side elevational view thereof;

FIG. 6 is a right side elevational view thereof; and,

FIG. 7 is a perspective view thereof.

**1 Claim, 7 Drawing Sheets**

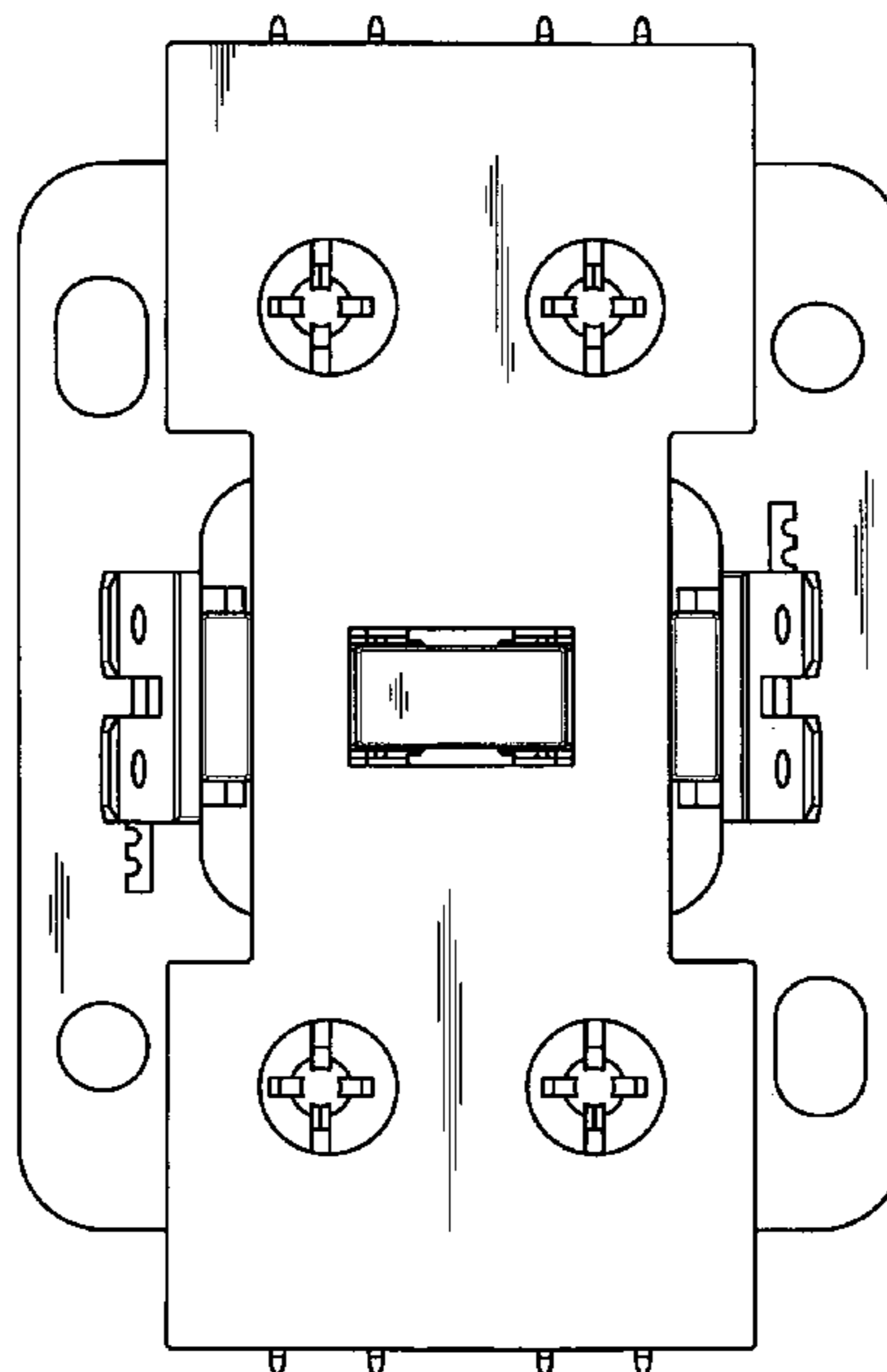


FIG. 1

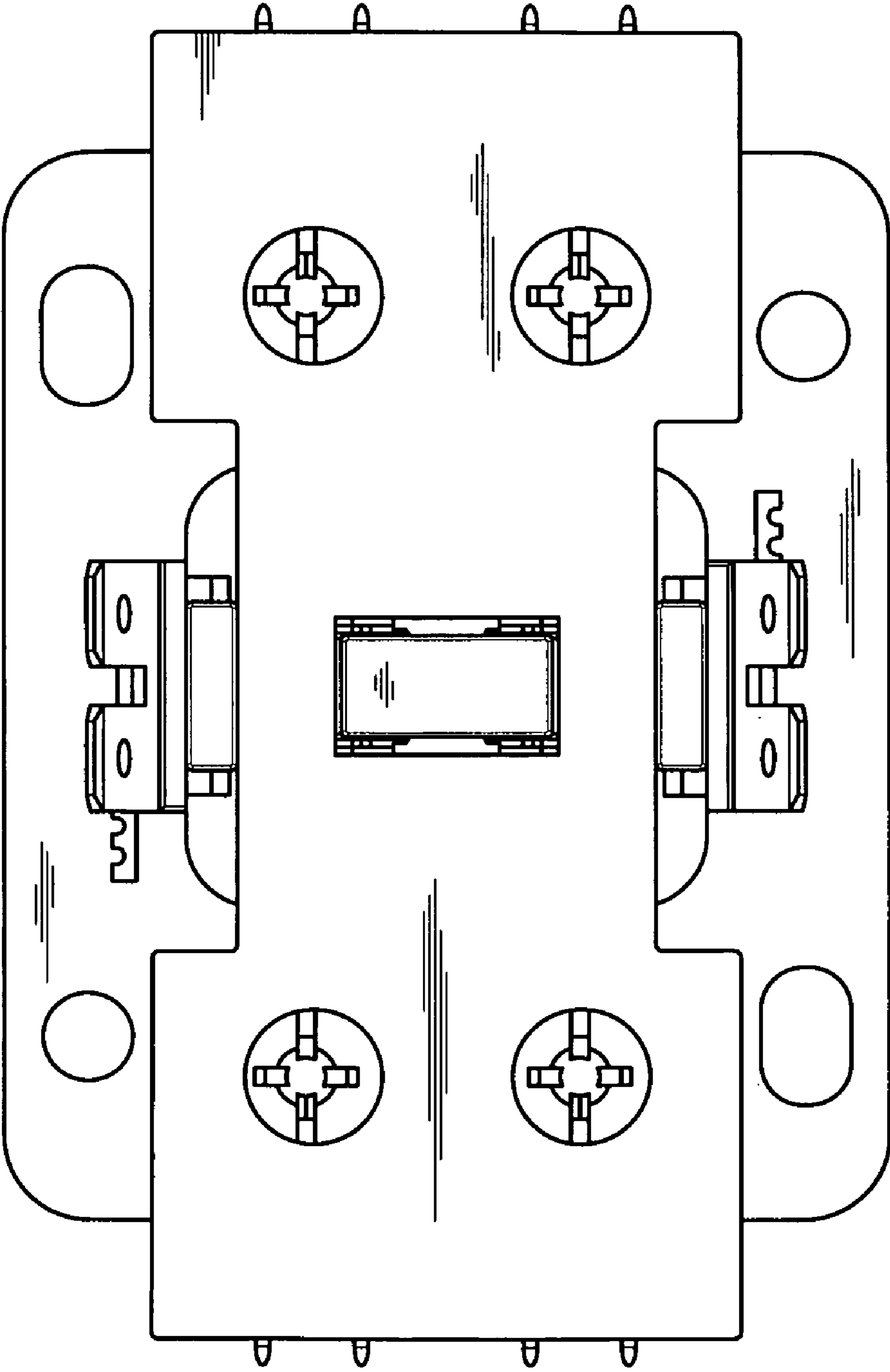


FIG. 2

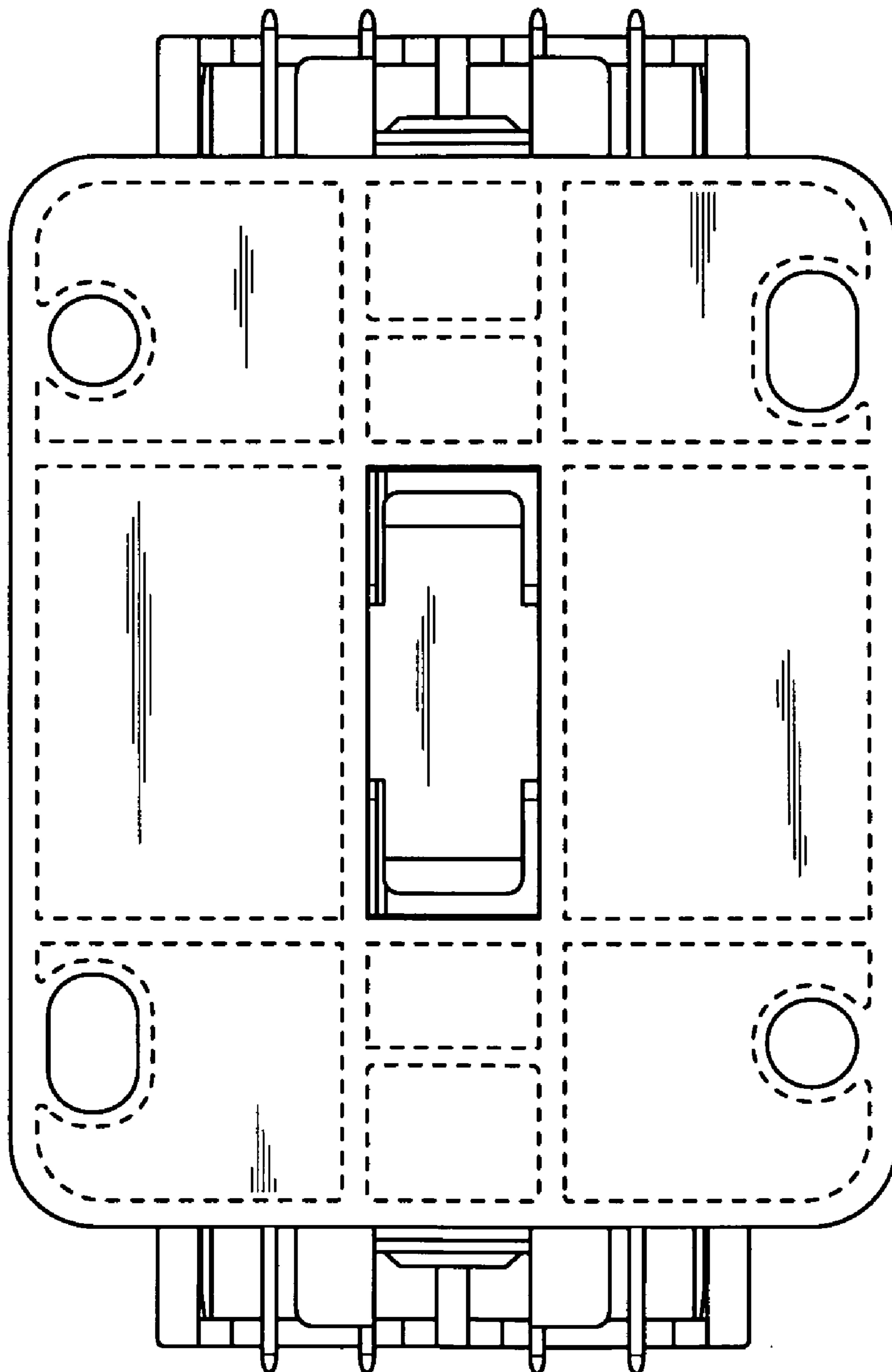


FIG. 3

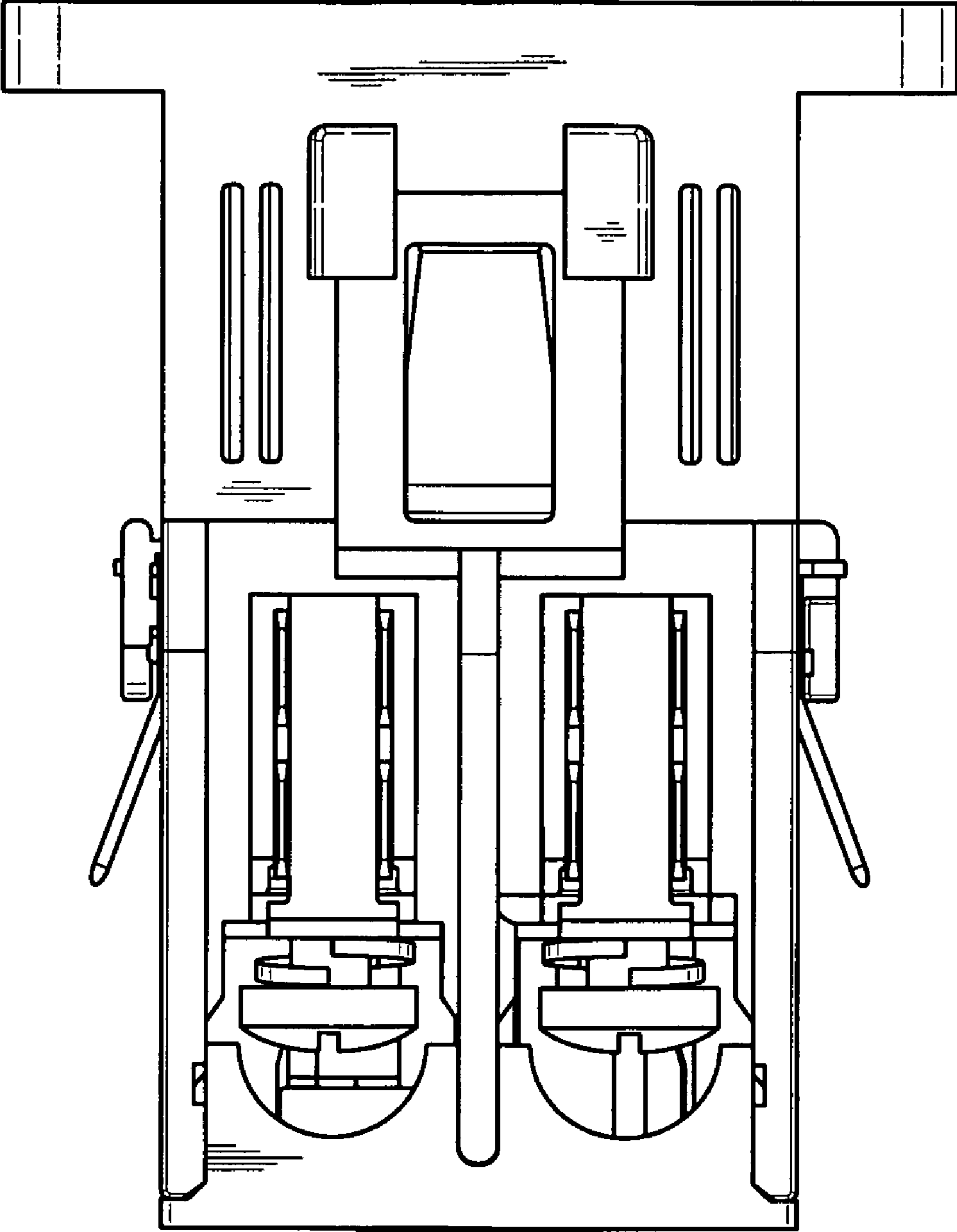


FIG. 4

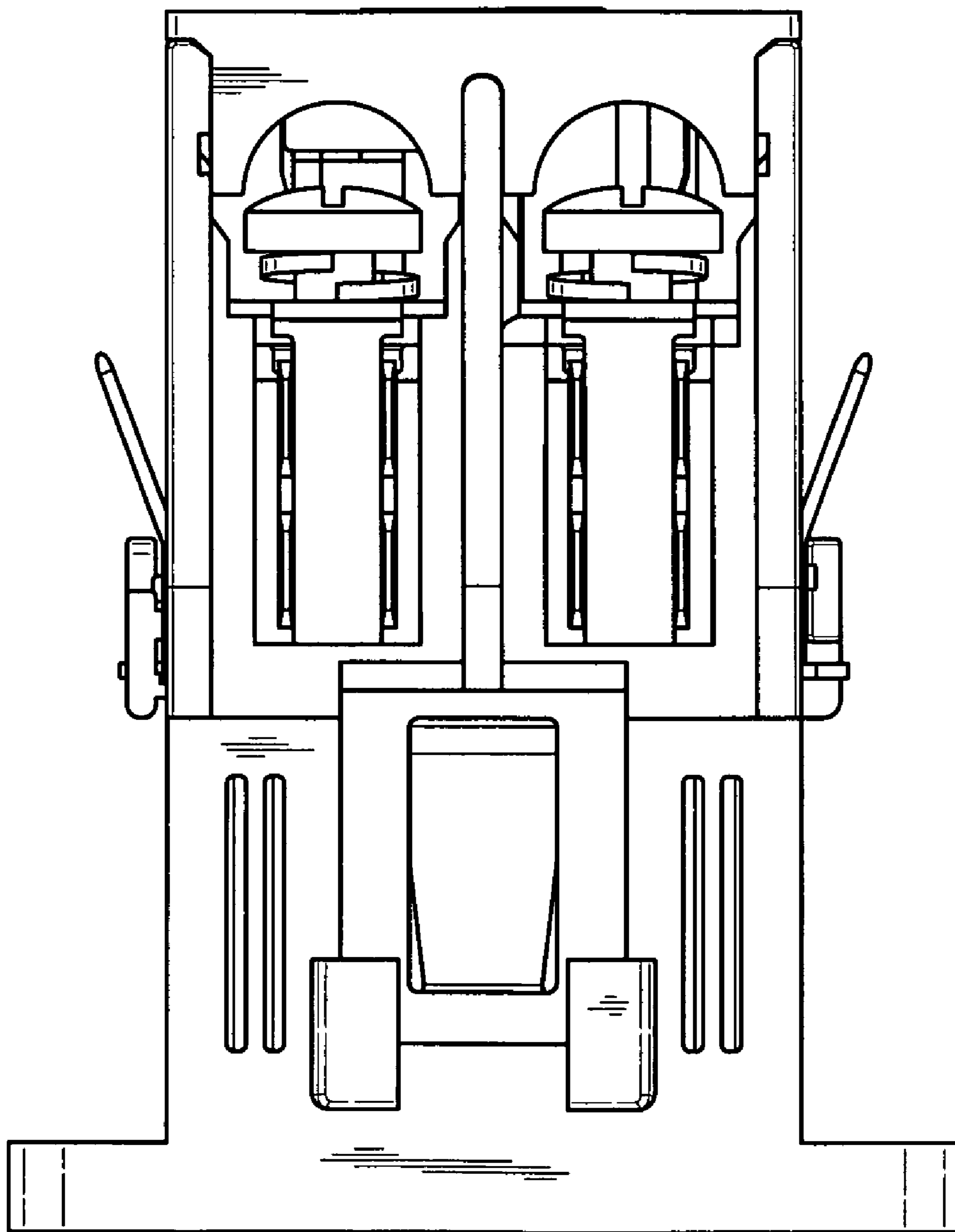


FIG. 5

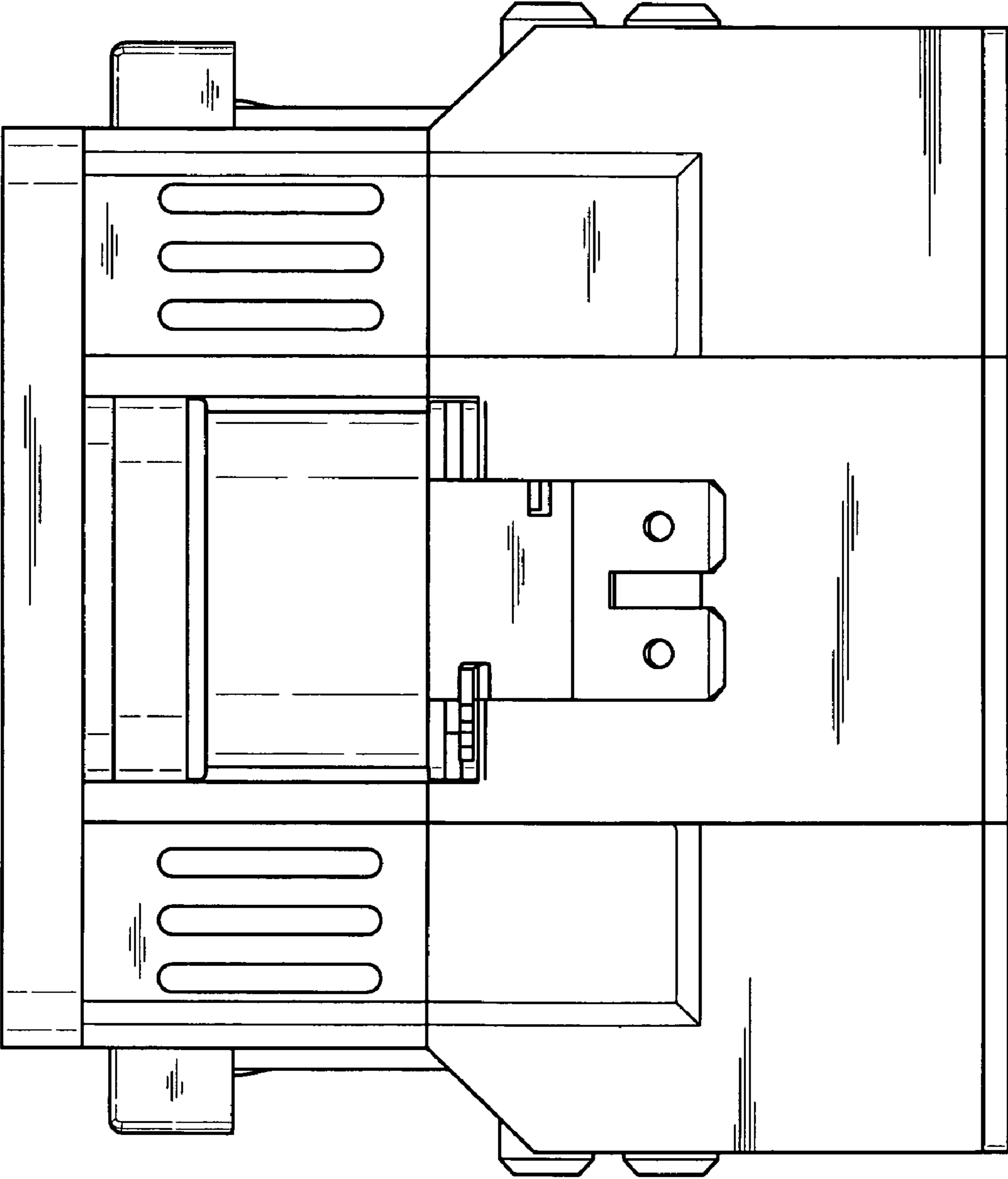


FIG. 6

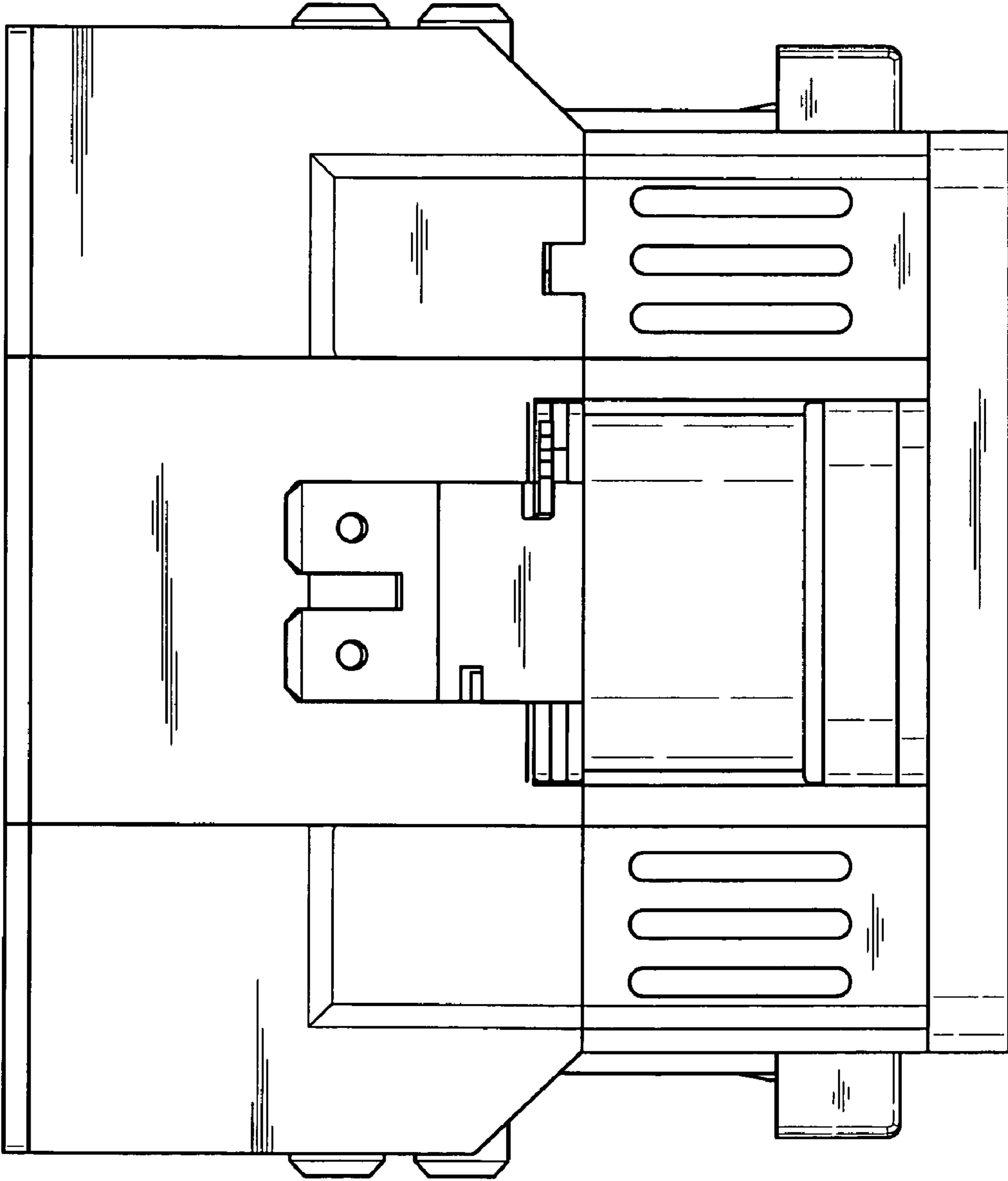


FIG. 7

