



US00D617285S

(12) **United States Design Patent**
Urano

(10) **Patent No.:** **US D617,285 S**
(45) **Date of Patent:** **** *Jun. 8, 2010**

(54) **BACKLIGHT CONNECTOR**

(75) Inventor: **Tetsu Urano**, Tokyo (JP)

(73) Assignee: **Japan Aviation Electronics Industry, Limited**, Tokyo (JP)

(*) Notice: This patent is subject to a terminal disclaimer.

(**) Term: **14 Years**

(21) Appl. No.: **29/315,623**

(22) Filed: **Jul. 10, 2009**

(30) **Foreign Application Priority Data**

Jan. 22, 2009 (JP) 2009-001134

(51) **LOC (9) Cl.** **13-03**

(52) **U.S. Cl.** **D13/154**

(58) **Field of Classification Search** D13/133,
D13/149, 154, 184; 439/395-400, 839, 845,
439/849-852, 861-862, 884-885, 888-891
See application file for complete search history.

(56) **References Cited**

U.S. PATENT DOCUMENTS

- D365,325 S * 12/1995 Hamada et al. D13/133
- D464,322 S * 10/2002 Hiramoto et al. D13/154
- D516,039 S * 2/2006 Lei et al. D13/154
- D517,019 S * 3/2006 Yao et al. D13/154

- D555,092 S * 11/2007 Li et al. D13/133
- 2006/0134950 A1 * 6/2006 Liao et al. 439/83

FOREIGN PATENT DOCUMENTS

JP D 1361424 6/2009

OTHER PUBLICATIONS

Japanese Office Action dated Oct. 8, 2009 with English Translation of Same.

* cited by examiner

Primary Examiner—Daniel D Bui

(74) *Attorney, Agent, or Firm*—Collard & Roe, P.C.

(57) **CLAIM**

The ornamental design for a backlight connector, as shown and described.

DESCRIPTION

FIG. 1 shows a front elevational view of a backlight connector, showing my new design;

FIG. 2 shows a rear elevational view thereof;

FIG. 3 shows a left side elevational view thereof;

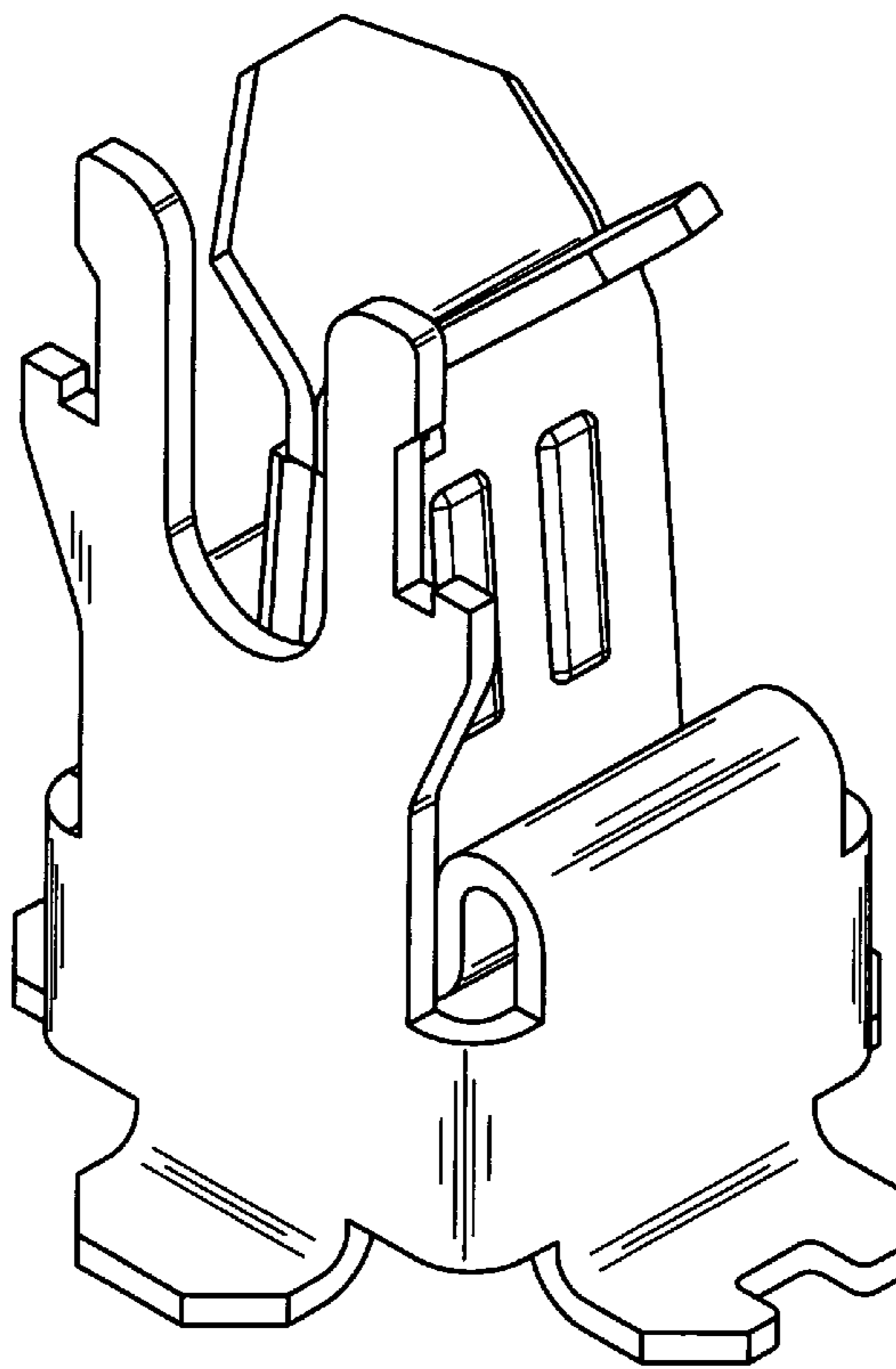
FIG. 4 shows a right side elevational view thereof;

FIG. 5 shows a top plan view thereof;

FIG. 6 shows a bottom plan view thereof; and,

FIG. 7 shows a front, top and right side perspective view thereof.

1 Claim, 7 Drawing Sheets



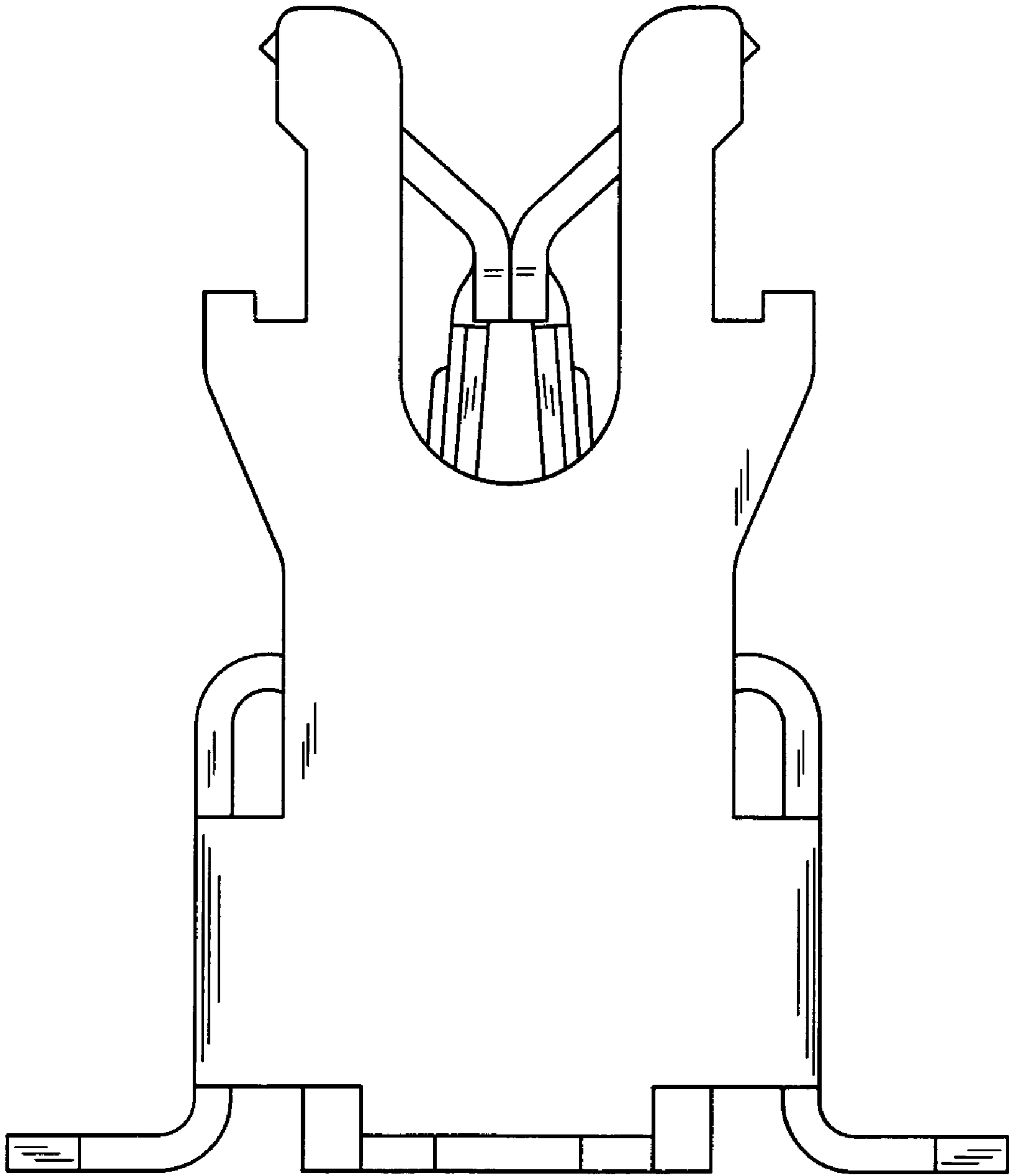


FIG. 1

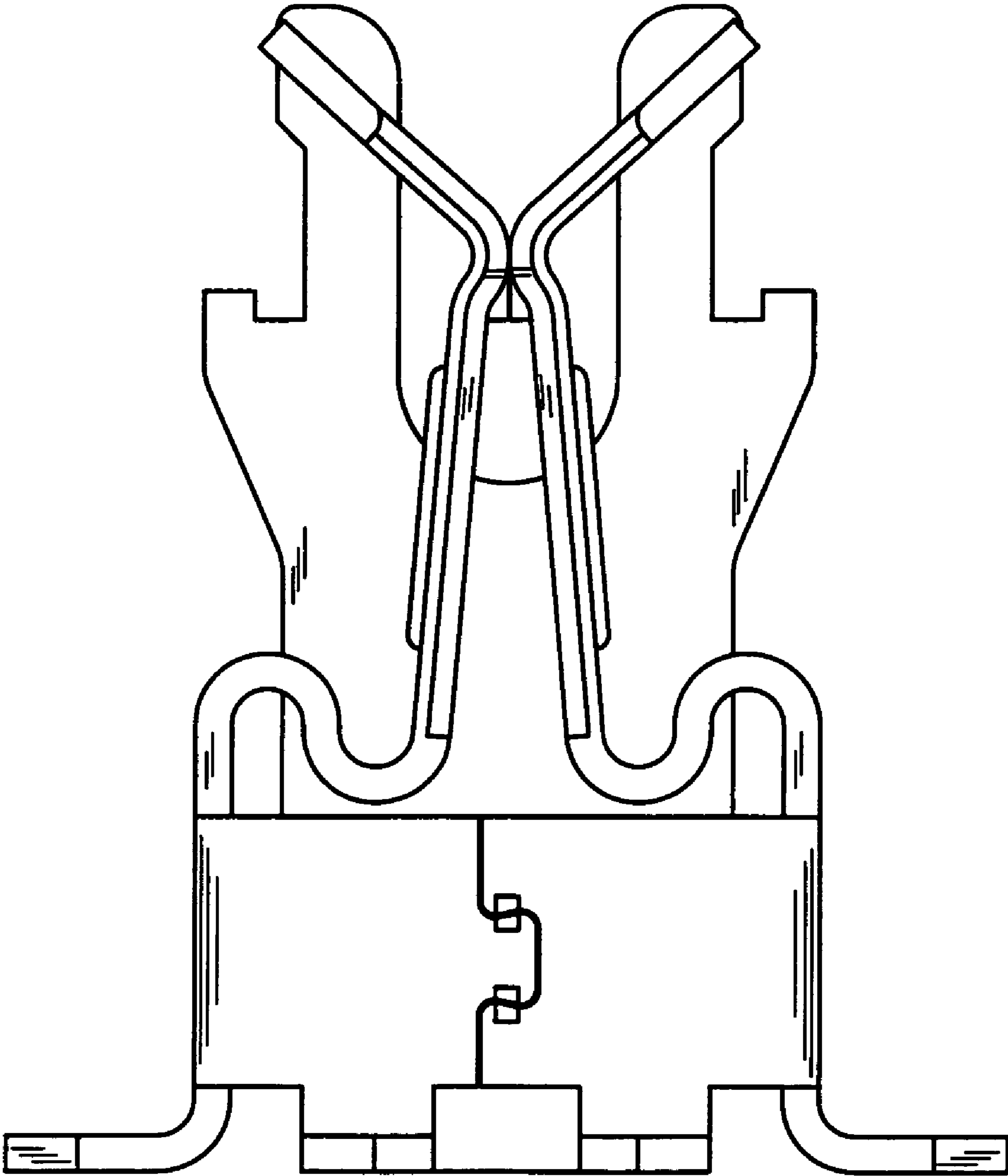


FIG. 2

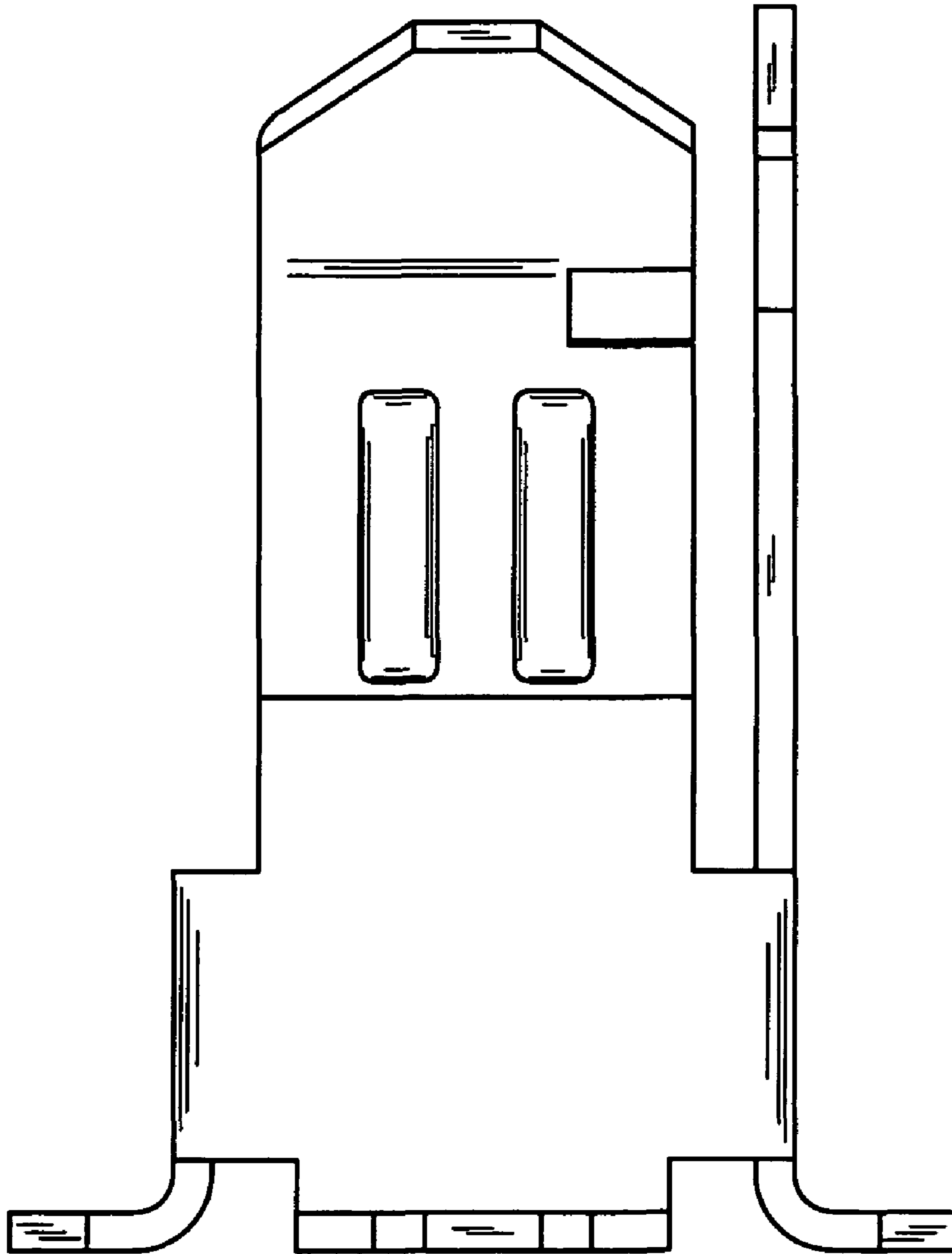


FIG. 3

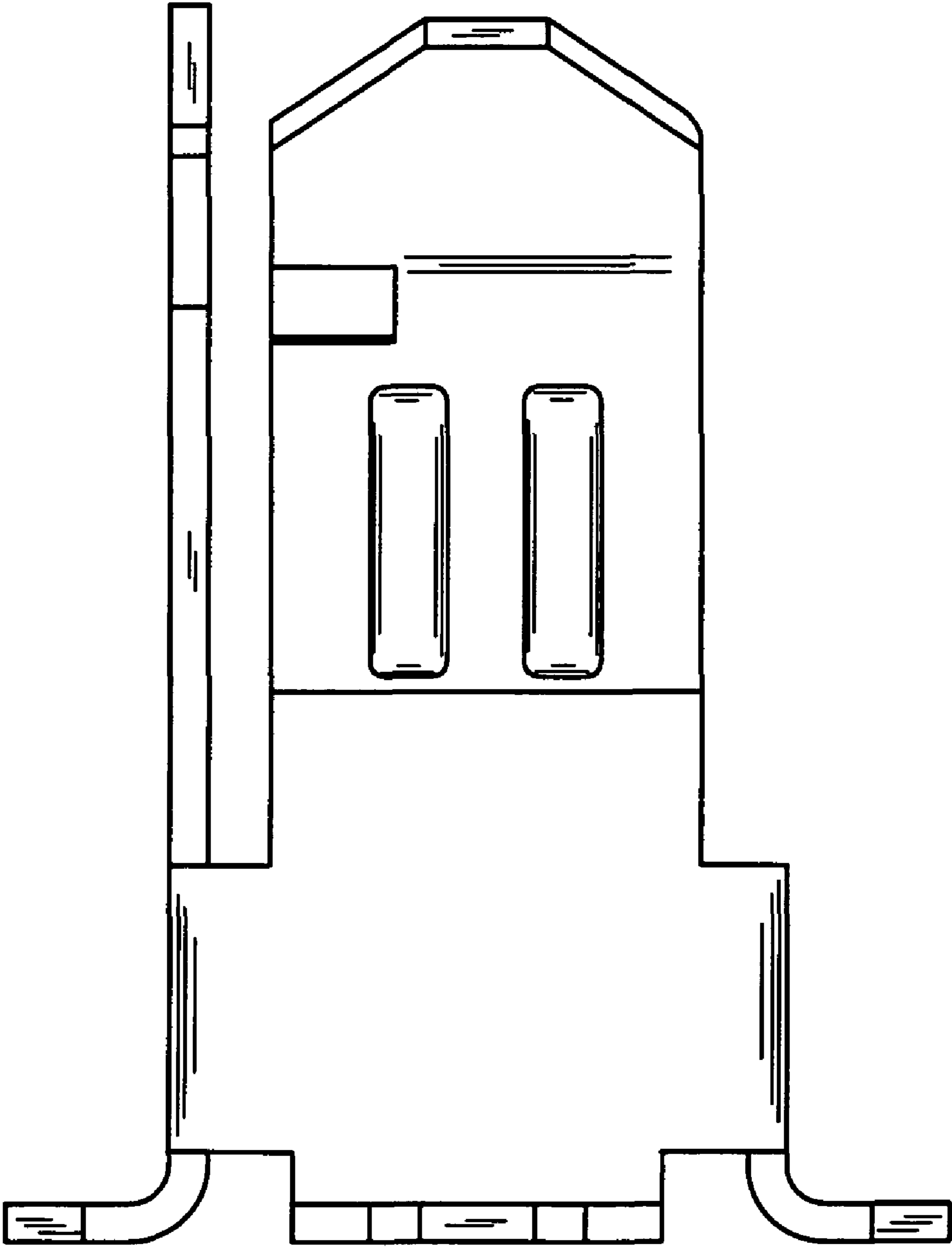


FIG. 4

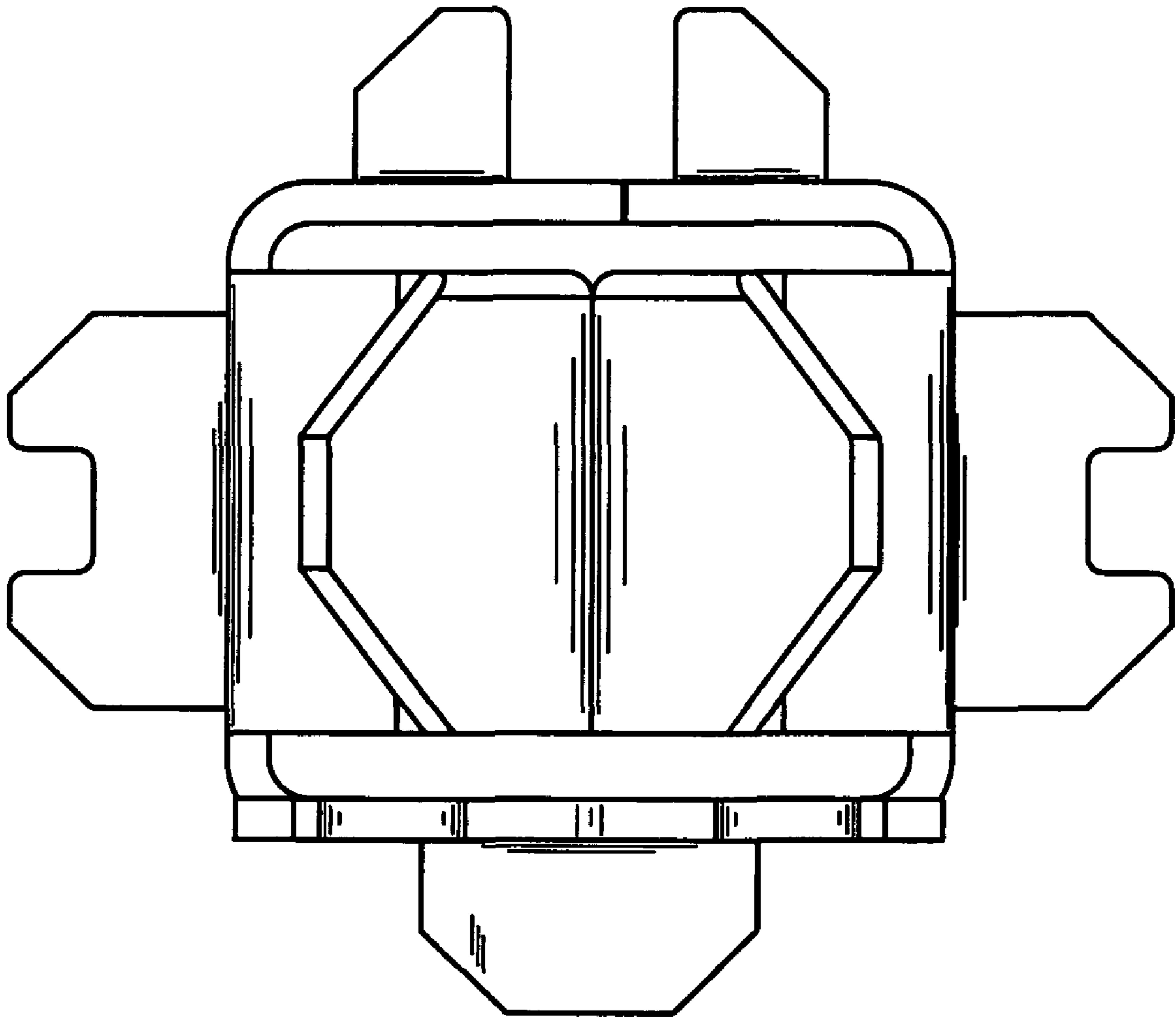


FIG. 5

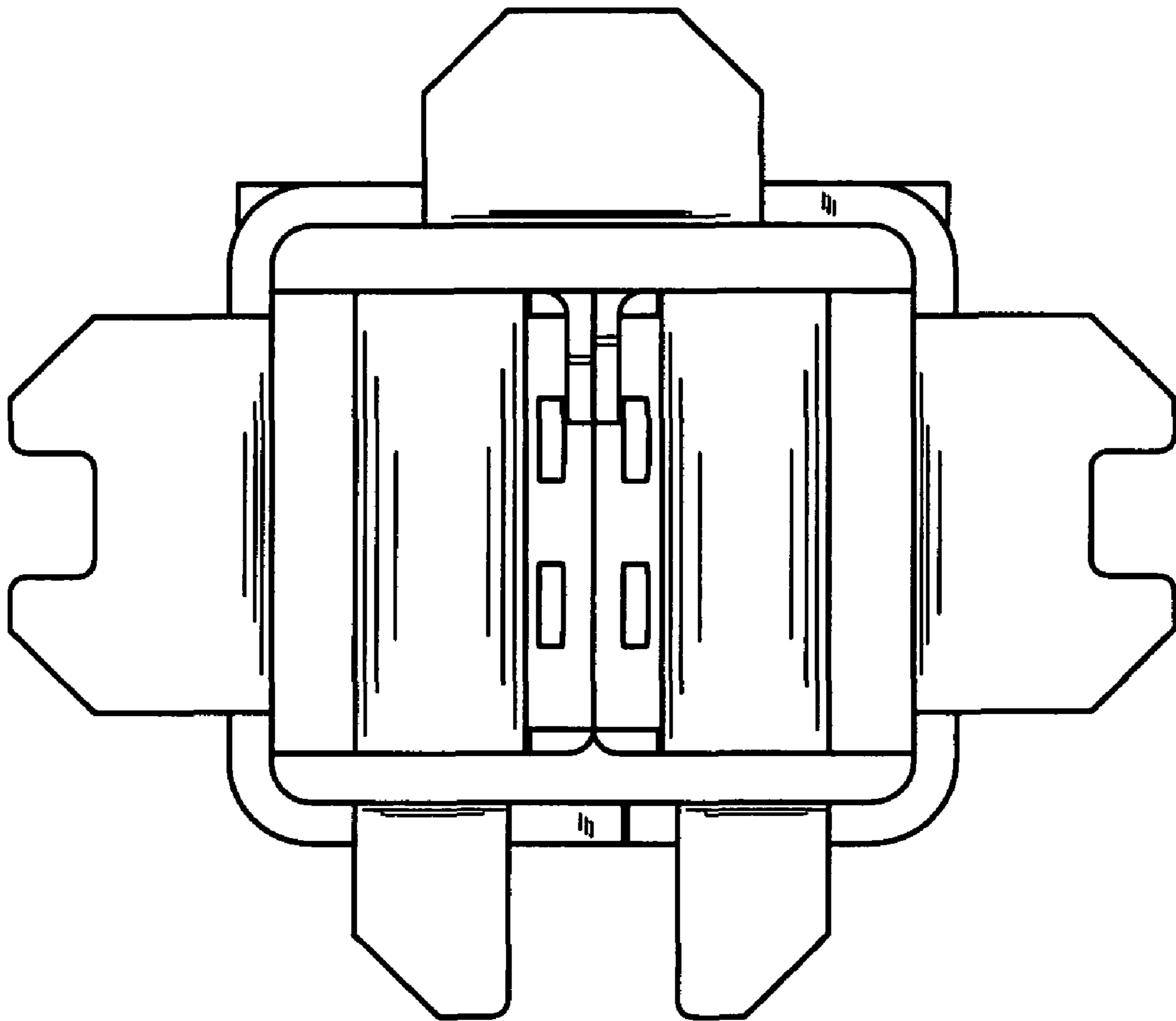


FIG. 6

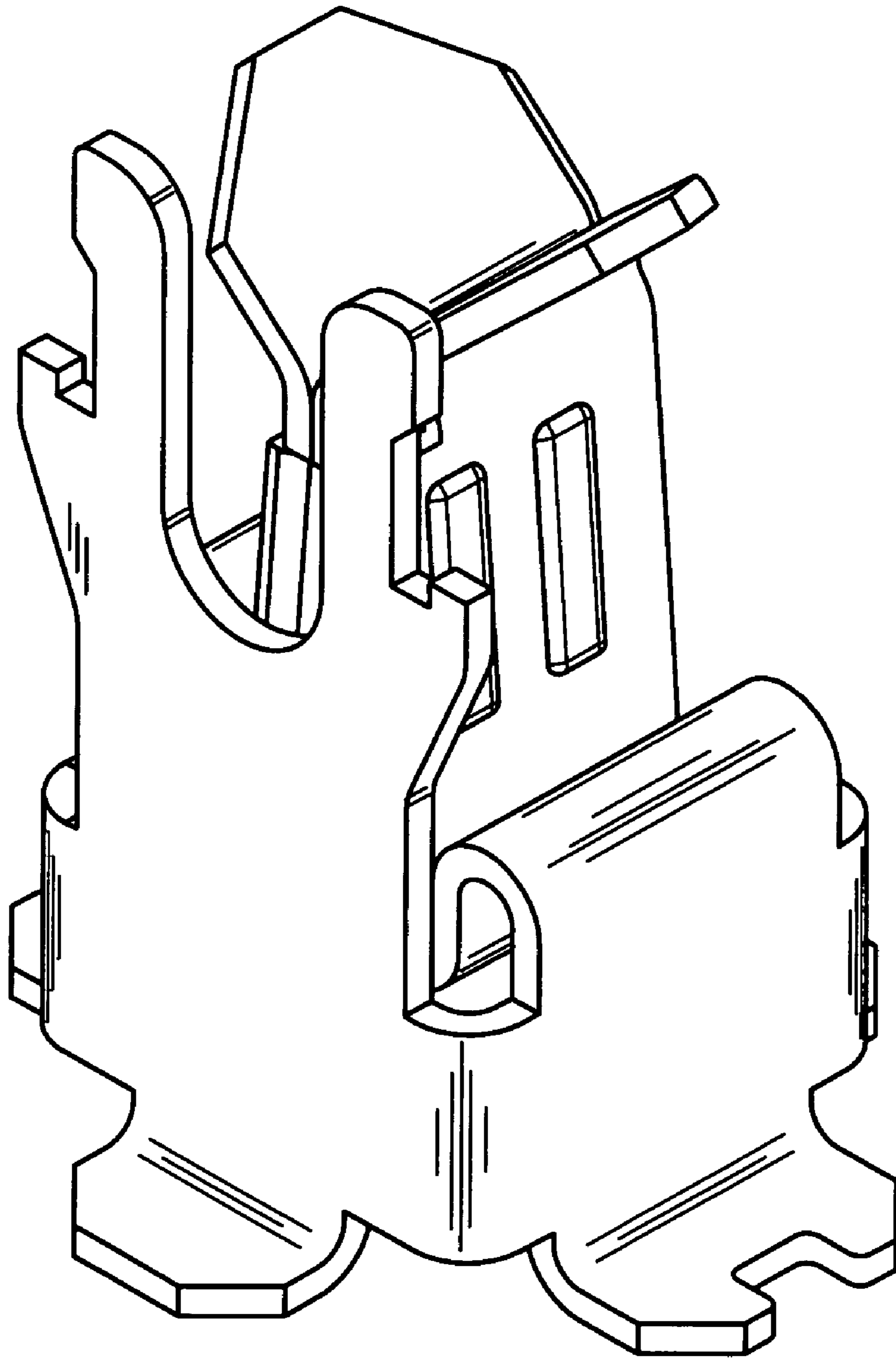


FIG. 7