



US00D617284S

(12) **United States Design Patent**
Rotenberg

(10) **Patent No.:** **US D617,284 S**
(45) **Date of Patent:** **** Jun. 8, 2010**

(54) **WIRING CONNECTOR**

(57) **CLAIM**

(75) Inventor: **Gregory Rotenberg**, Highland Heights, OH (US)

The ornamental design of a wiring connector, as shown and described.

(73) Assignee: **Cequent Consumer Products**, Solon, OH (US)

DESCRIPTION

(**) Term: **14 Years**

FIG. 1 is a front, top and right side perspective view of a wiring connector showing my new design, in an open condition;

(21) Appl. No.: **29/315,057**

FIG. 2 is a top plan view thereof;

(22) Filed: **May 21, 2009**

FIG. 3 is a bottom plan view thereof;

(51) **LOC (9) Cl.** **13-03**

FIG. 4 is a right side elevation view thereof;

(52) **U.S. Cl.** **D13/154**

FIG. 5 is a left side elevation view thereof;

(58) **Field of Classification Search** D13/133,
D13/147, 154, 184; 439/35, 135-136, 138,
439/142, 149, 152, 344, 378, 460, 521, 527,
439/676, 718

FIG. 6 is a rear elevation view thereof;

FIG. 7 is a front elevation view thereof;

See application file for complete search history.

FIG. 8 is a front, top and right side perspective view thereof, in a closed condition;

FIG. 9 is a top plan view thereof;

(56) **References Cited**

FIG. 10 is a bottom plan view thereof;

U.S. PATENT DOCUMENTS

FIG. 11 is a right side elevation view thereof;

D249,502 S * 9/1978 Rink et al. D13/147

FIG. 12 is a left side elevation view thereof;

D300,820 S * 4/1989 Orbanic D13/147

FIG. 13 is a rear elevation view thereof;

6,259,170 B1 * 7/2001 Limoge et al. 307/10.8

FIG. 14 is a front elevation view thereof; and,

D514,068 S * 1/2006 Scheller et al. D13/147

FIG. 15 is a front, top and right side perspective view thereof, in an open condition, and showing with different environment.

D527,708 S * 9/2006 Schemm et al. D13/147

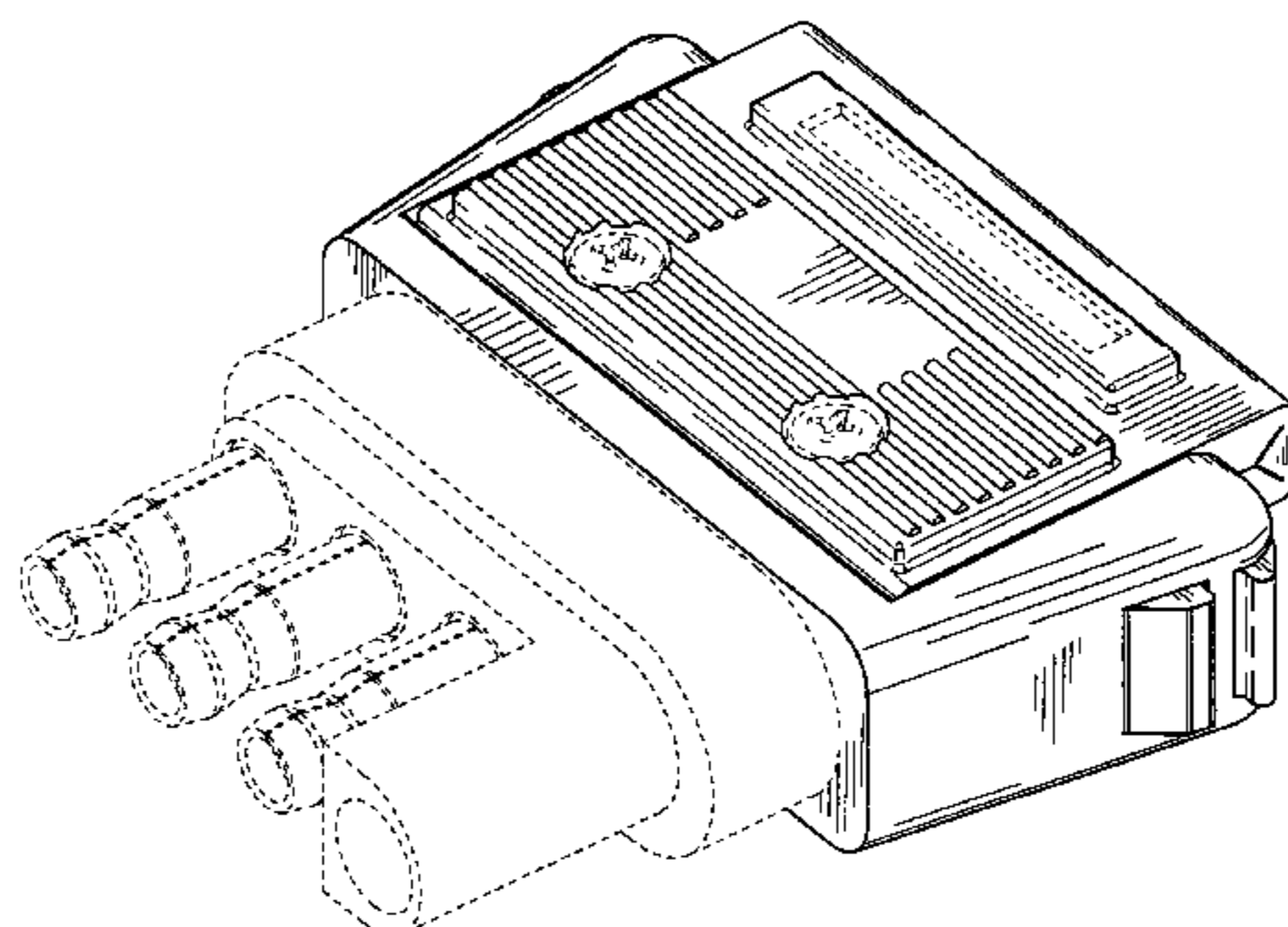
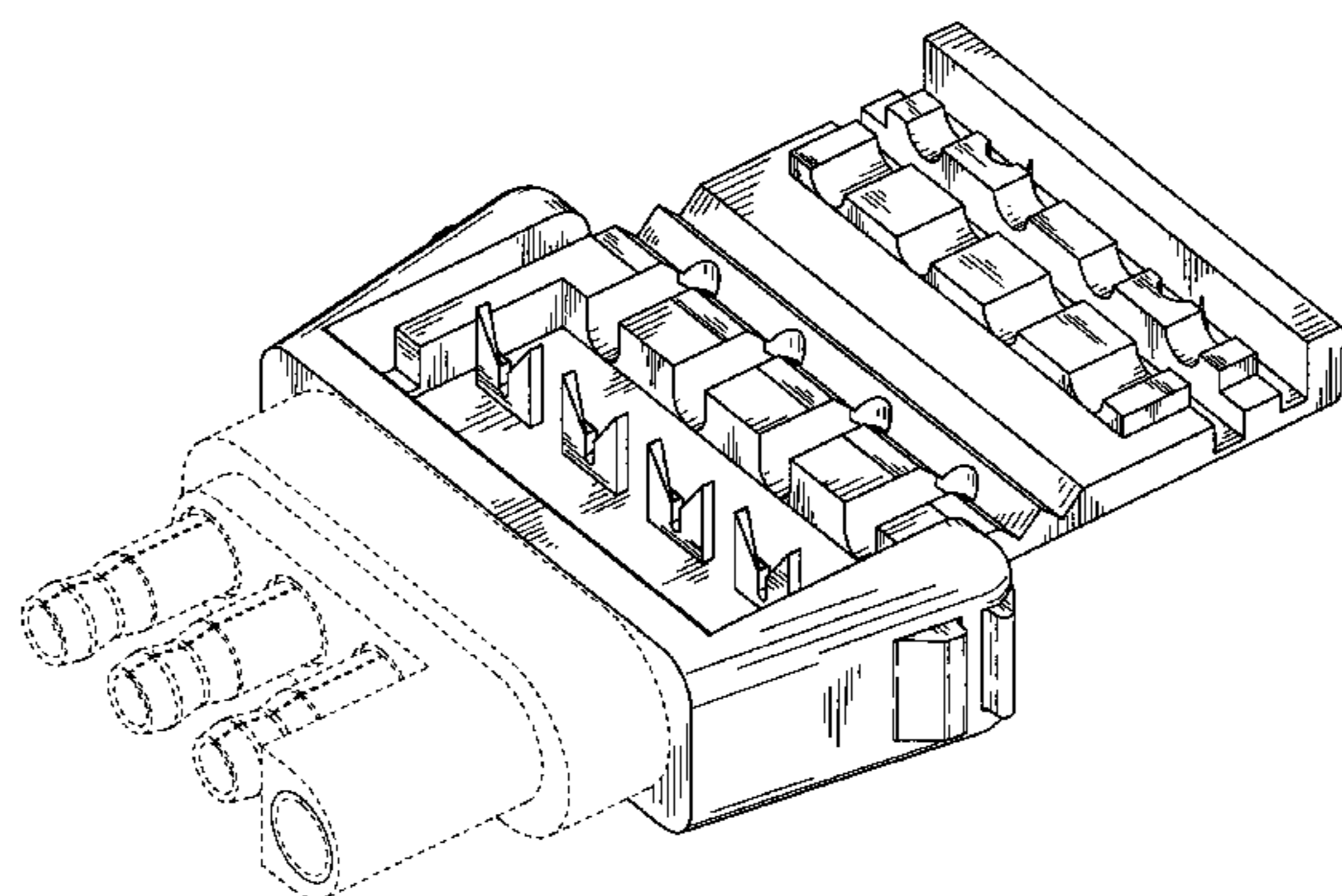
The broken line in the figure drawings is included for the purpose of illustrating environment and forms no part of the claimed design.

* cited by examiner

Primary Examiner—Daniel D Bui

(74) *Attorney, Agent, or Firm*—McDonald Hopkins LLC

1 Claim, 7 Drawing Sheets



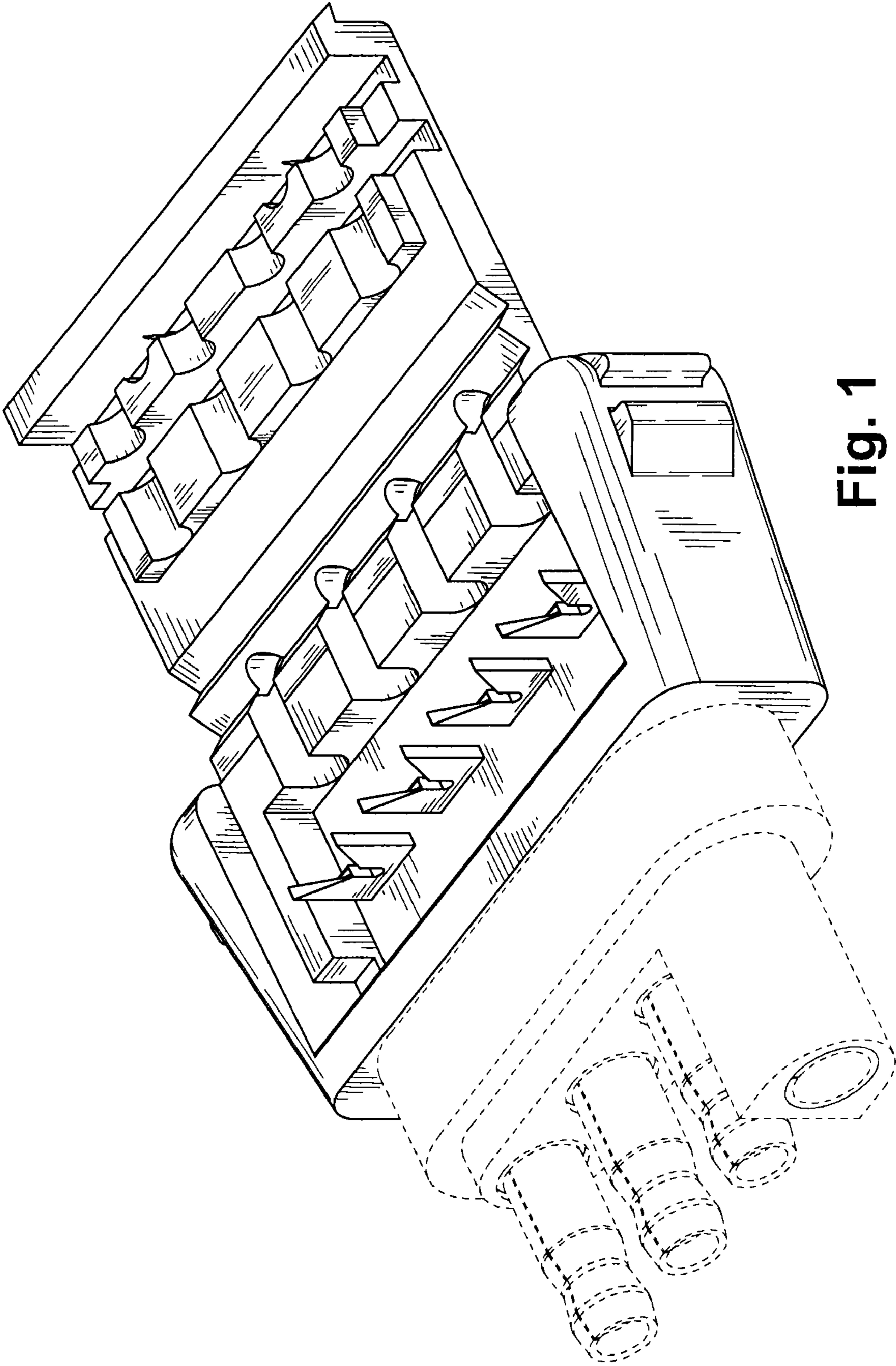


Fig. 1

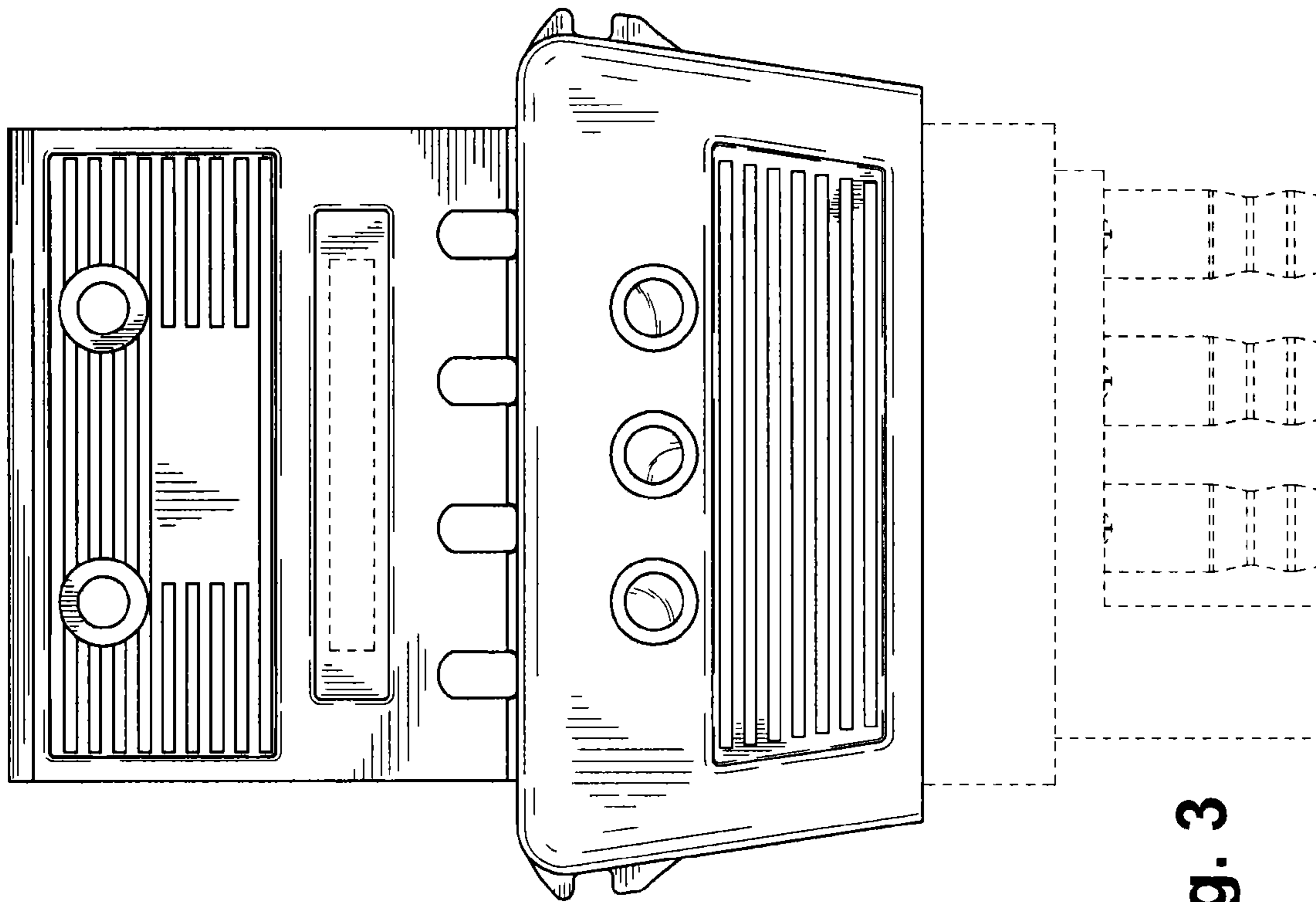


Fig. 3

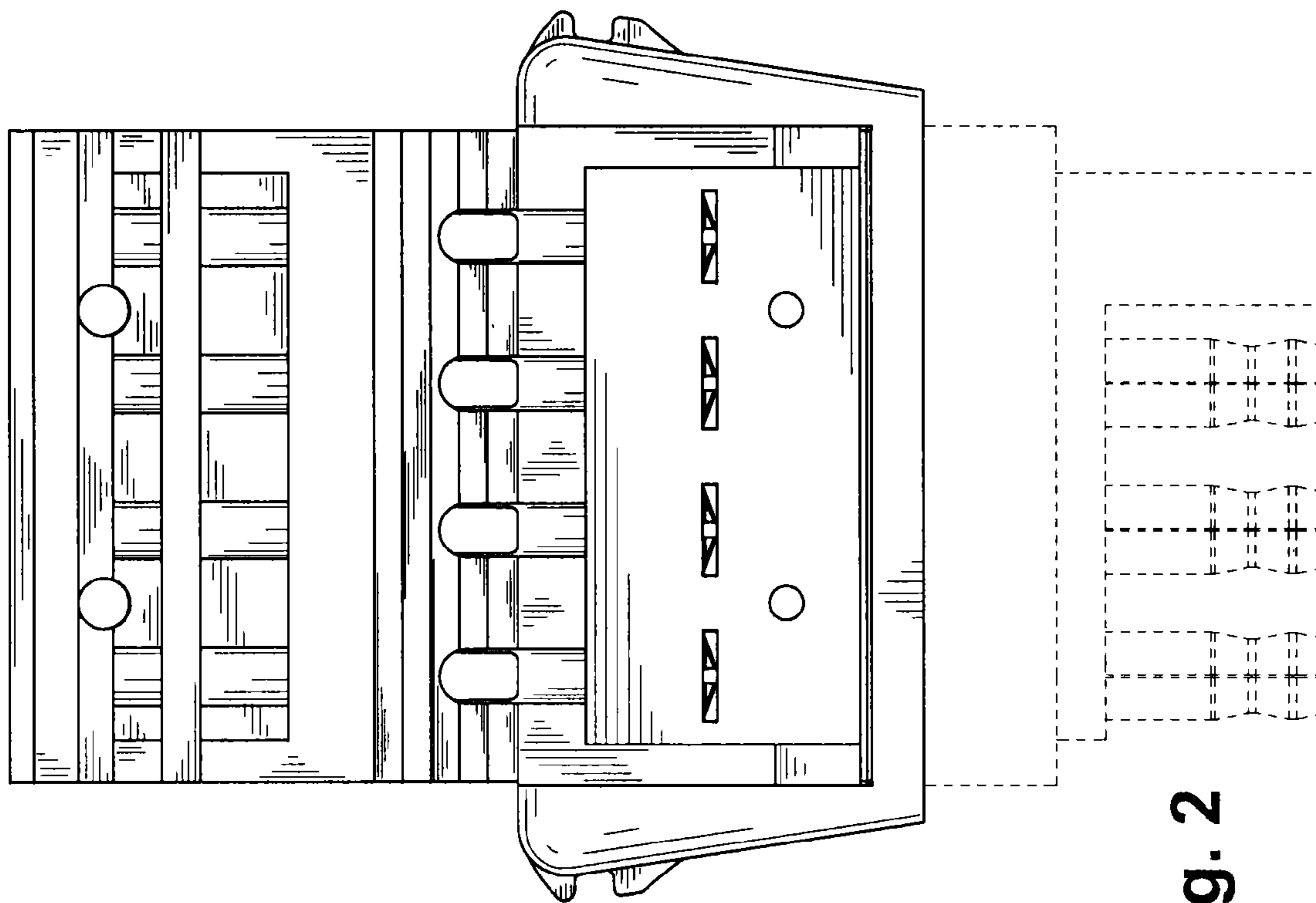


Fig. 2

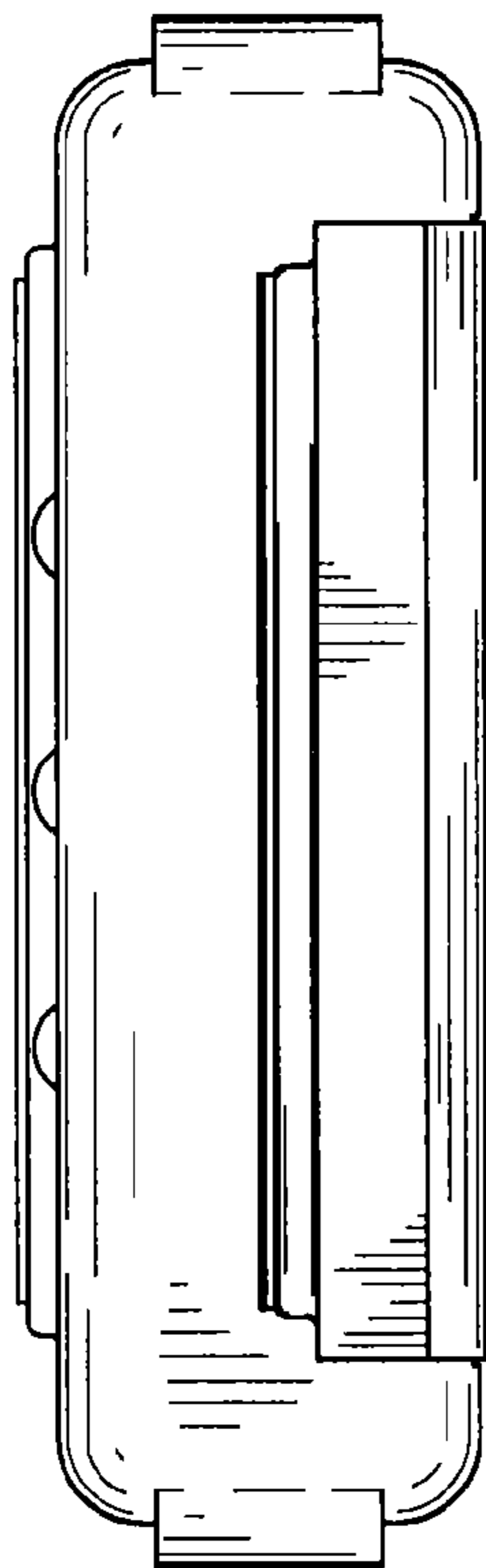


Fig. 6

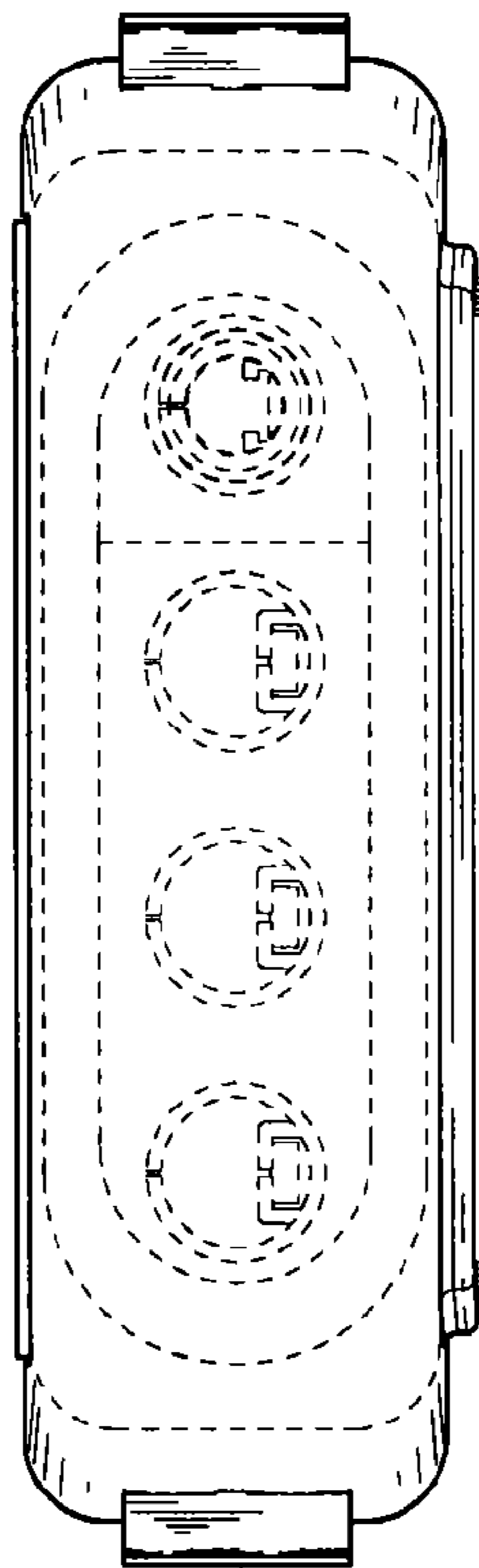


Fig. 7

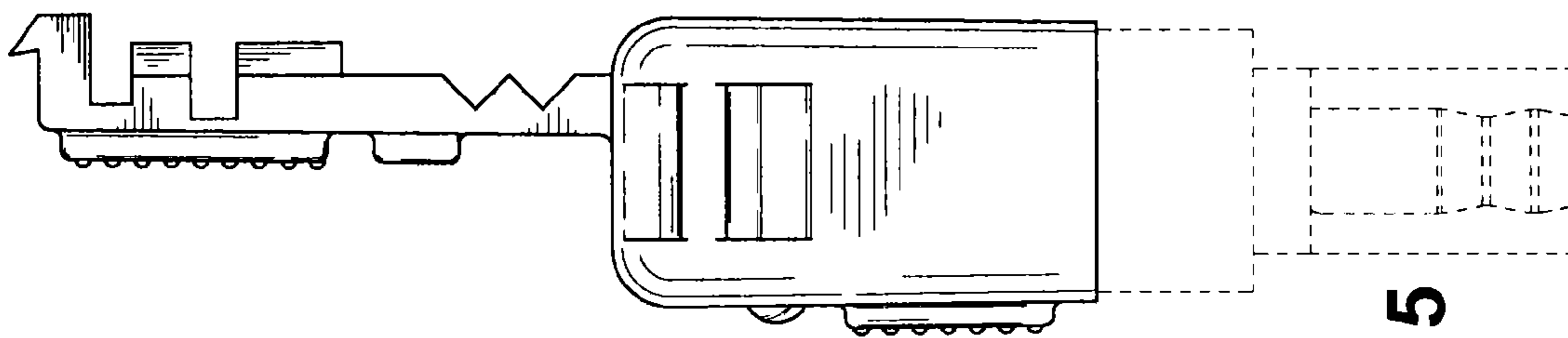


Fig. 5

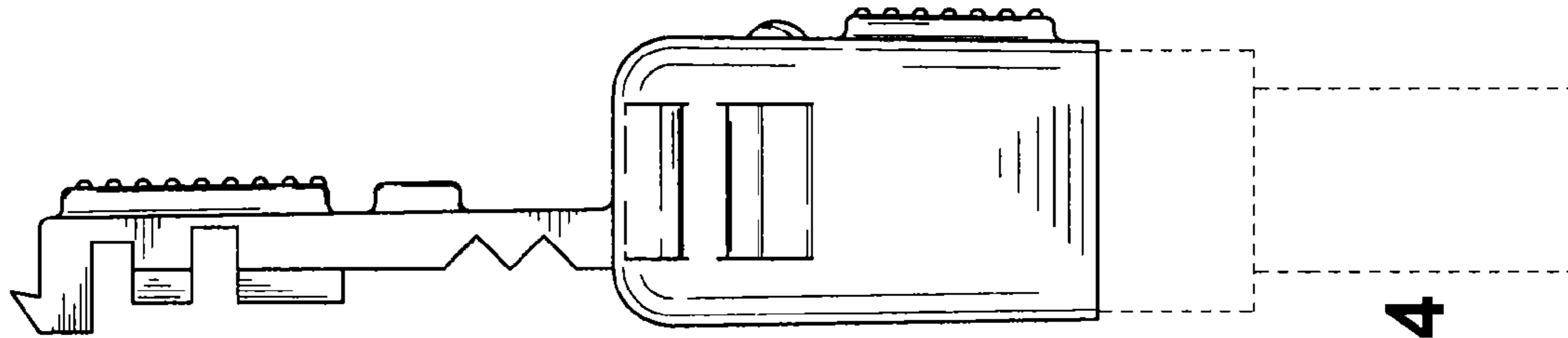


Fig. 4

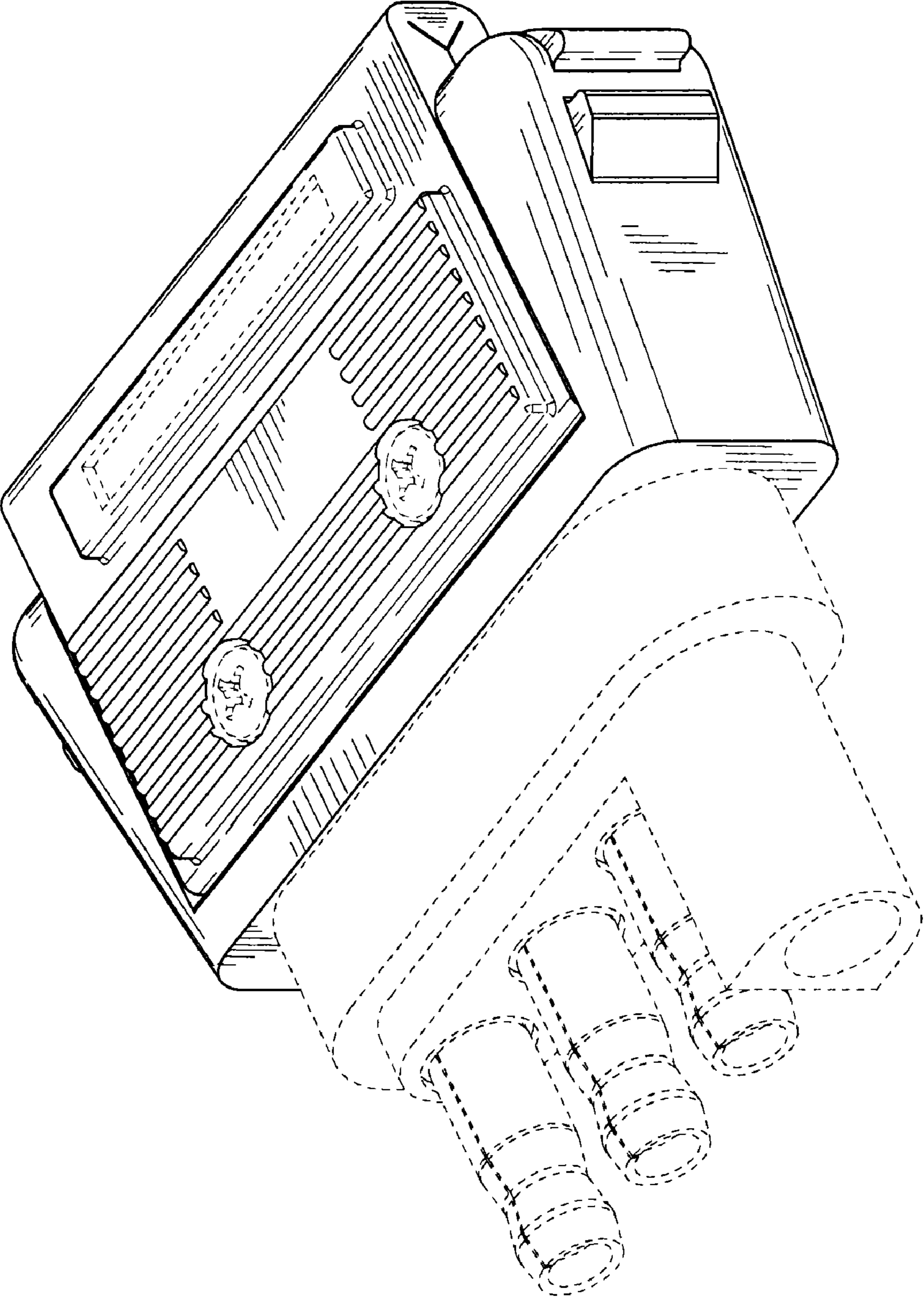


Fig. 8

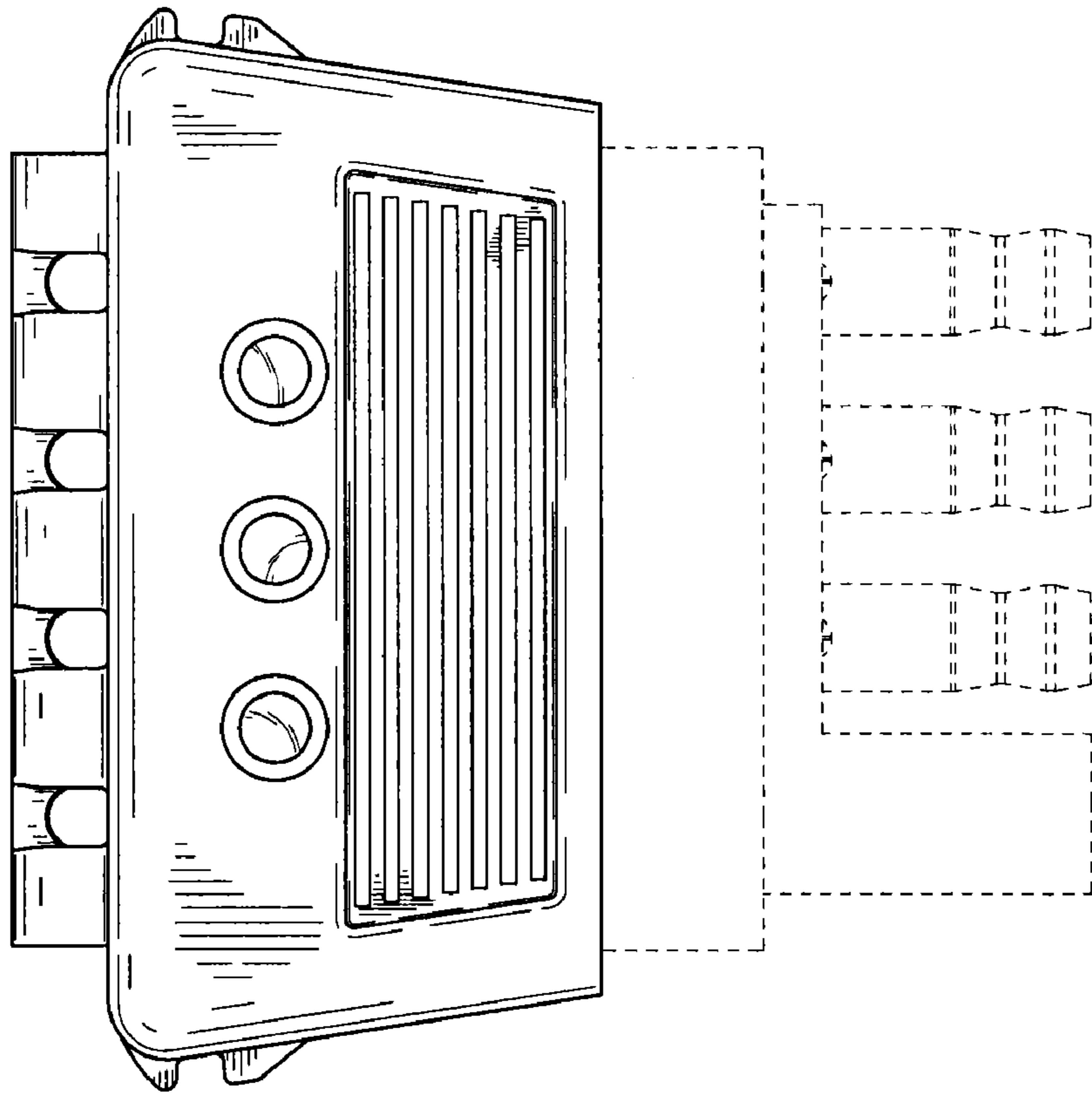


Fig. 9

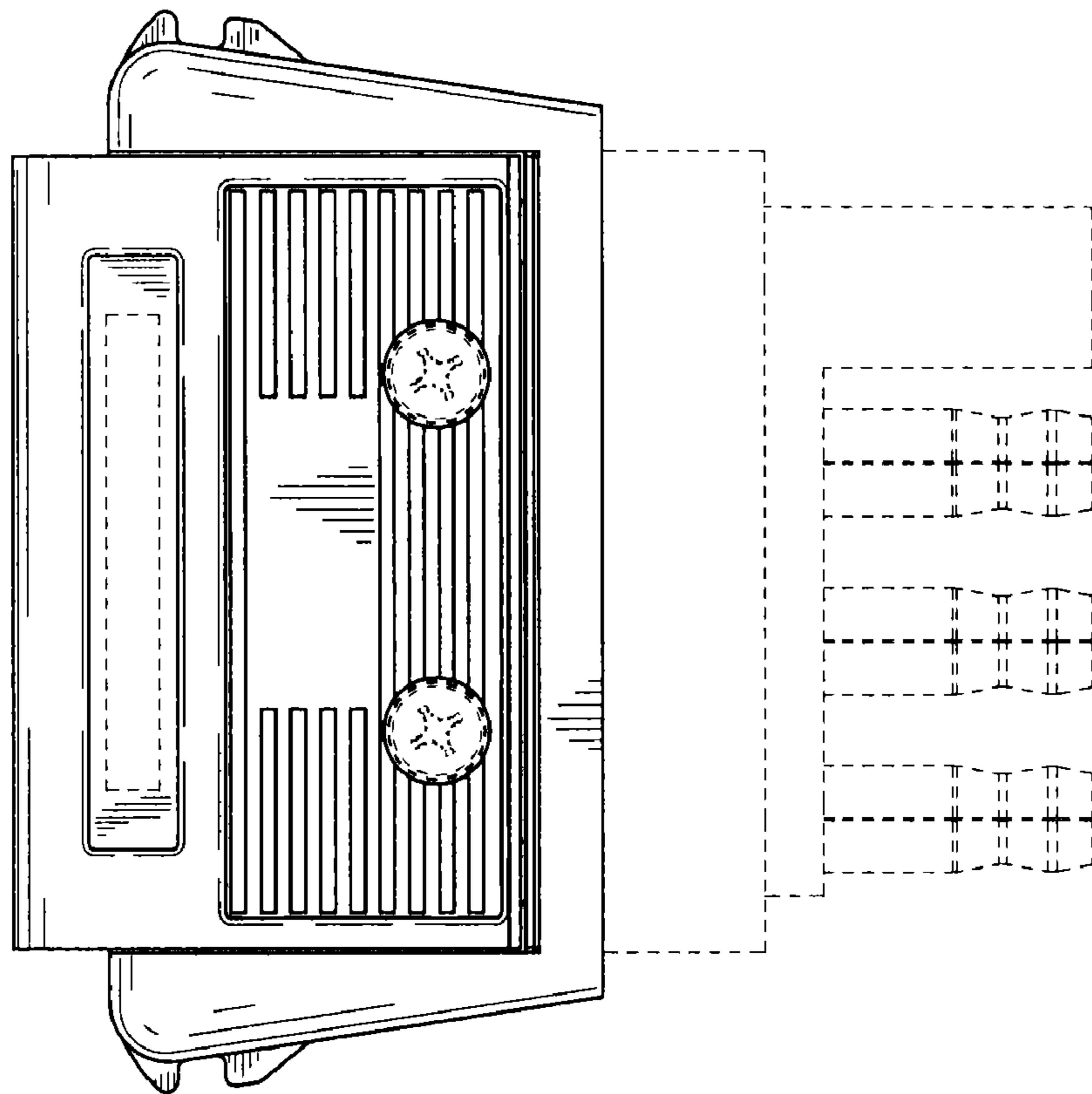


Fig. 10

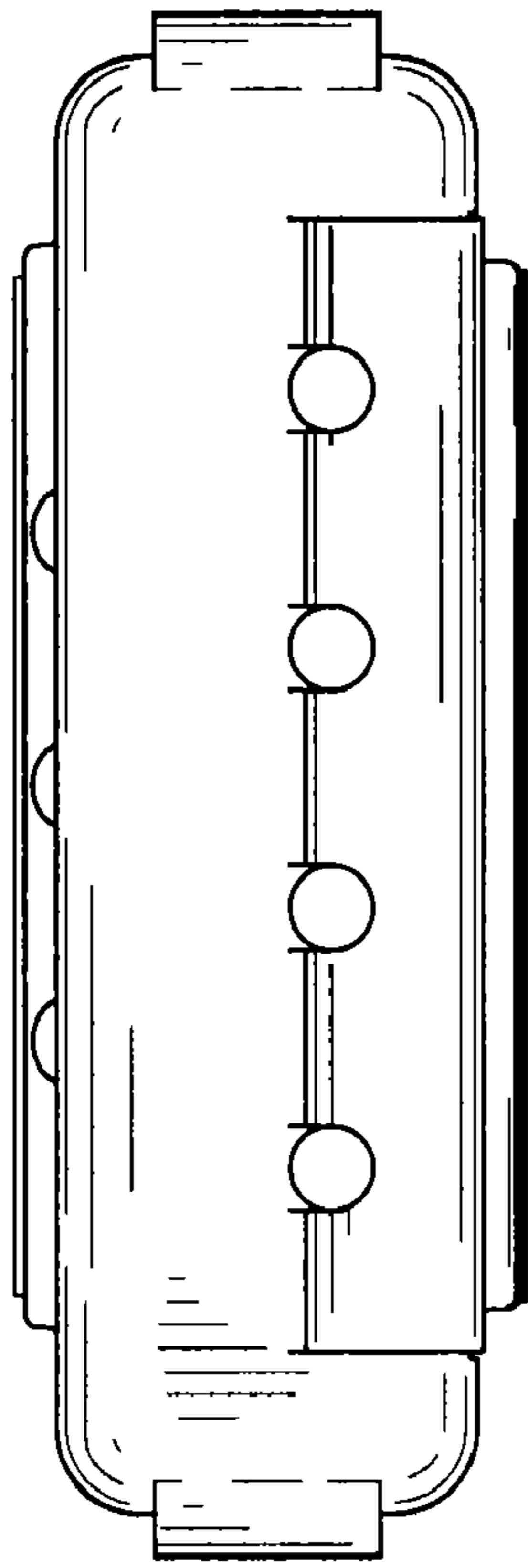


Fig. 13

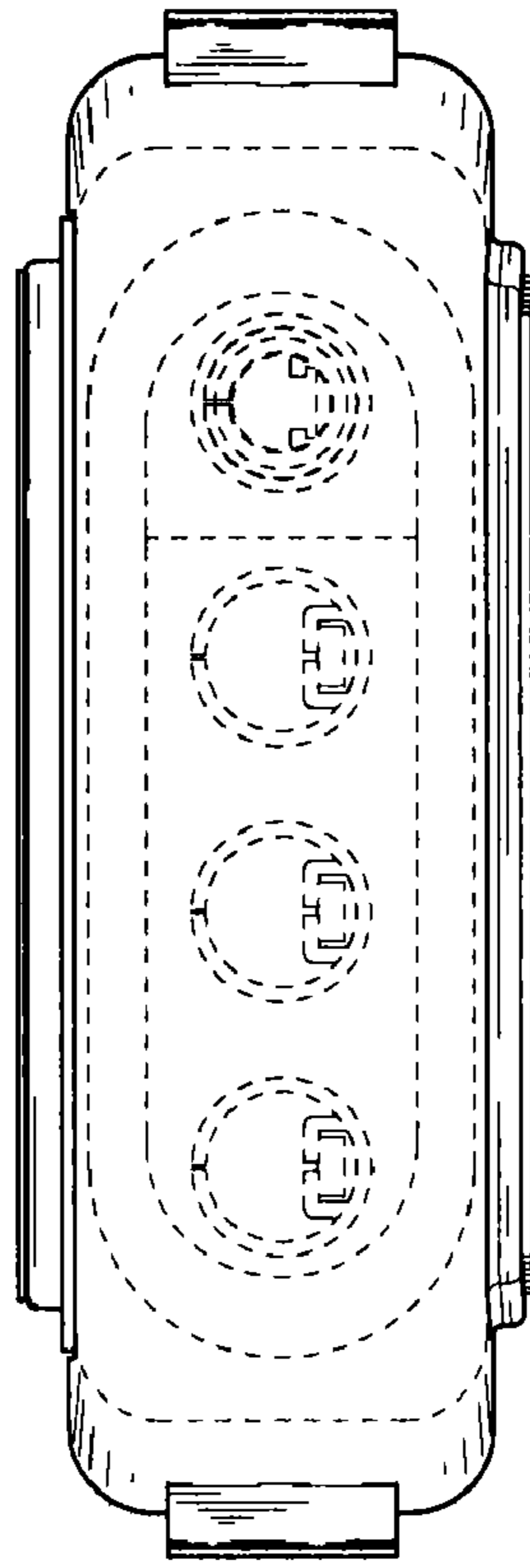


Fig. 14

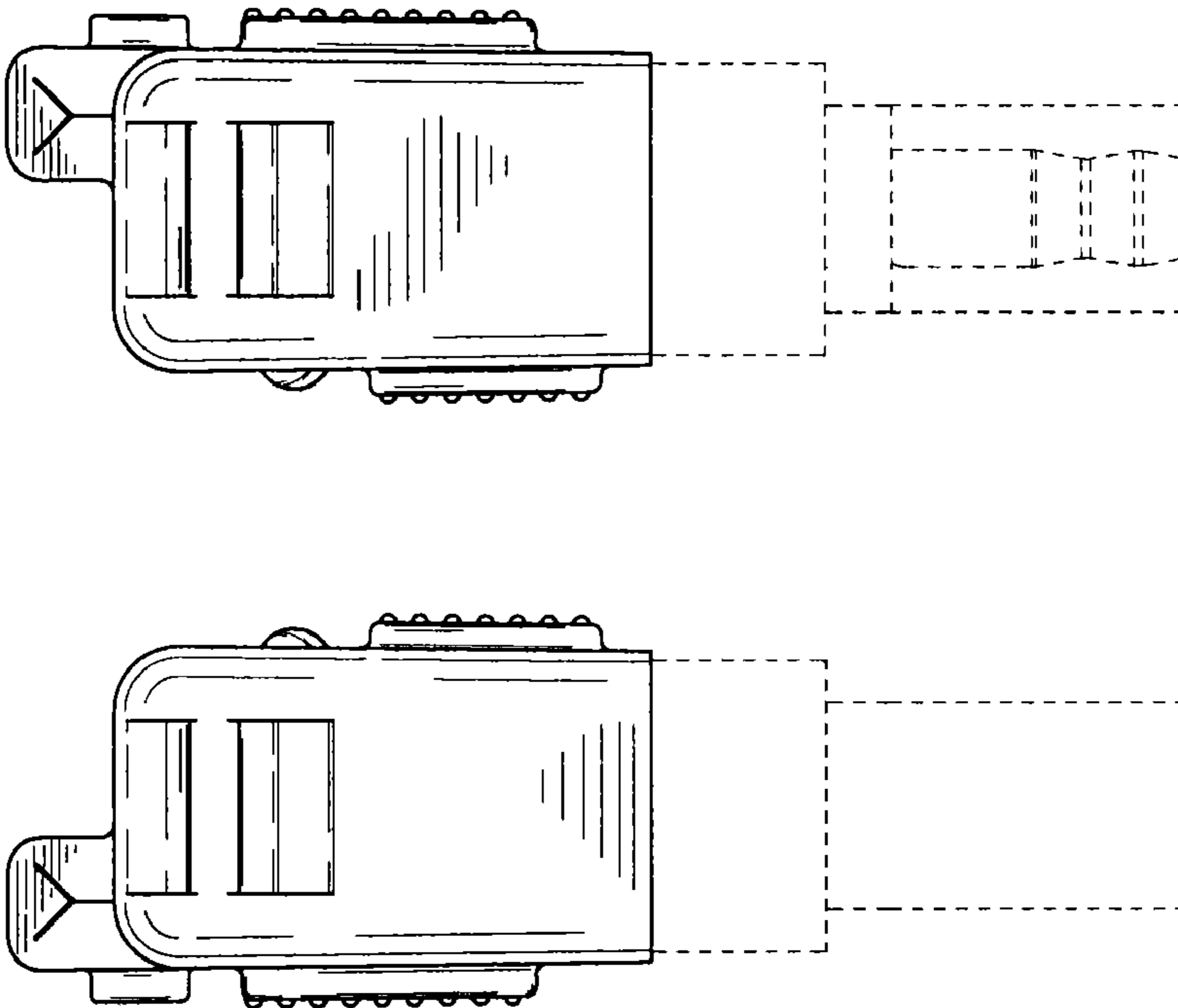


Fig. 11

Fig. 12

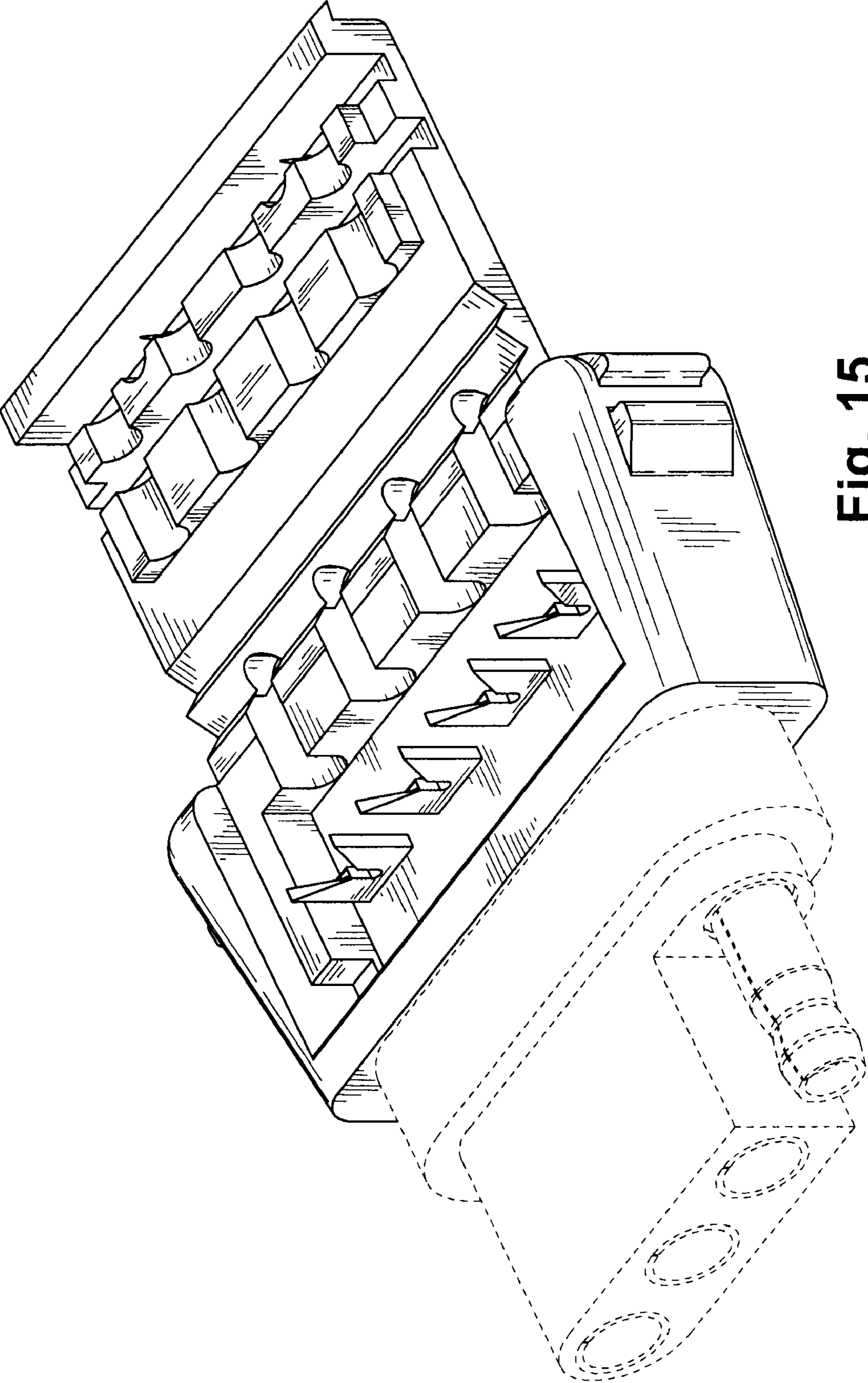


Fig. 15