



US00D617283S

(12) **United States Design Patent**
Wang et al.

(10) **Patent No.:** **US D617,283 S**

(45) **Date of Patent:** **** Jun. 8, 2010**

(54) **ELECTRICAL CONNECTOR**

D593,496 S * 6/2009 Zhu et al. D13/147
D600,646 S * 9/2009 Han et al. D13/147

(75) Inventors: **Chen-Xi Wang**, Kunshan (CN);
Hong-Qiang Han, Kunshan (CN);
Zi-Qiang Zhu, Kunshan (CN)

* cited by examiner

Primary Examiner—Daniel D Bui

(73) Assignee: **Hon Hai Precision Inc. Co., Ltd.**,
Taipei Hsien (TW)

(74) *Attorney, Agent, or Firm*—Wei Te Chung; Andrew C.
Cheng; Ming Chieh Chang

(**) Term: **14 Years**

(57) **CLAIM**

(21) Appl. No.: **29/345,863**

The ornamental design for an electrical connector, as shown
and described.

(22) Filed: **Oct. 23, 2009**

DESCRIPTION

(30) **Foreign Application Priority Data**

Apr. 23, 2009 (CN) 2009 3 0303490

FIG. 1 is a front, top and right side perspective view of an
electrical connector showing our new design;

(51) **LOC (9) Cl.** **13-03**

(52) **U.S. Cl.** **D13/147**

(58) **Field of Classification Search** D13/147,
D13/154, 184; 439/108, 476.1, 483, 527,
439/533, 607–610, 892, 894

FIG. 2 is a front elevational view thereof;

FIG. 3 is a rear elevational view thereof;

FIG. 4 is a left side elevational view thereof;

FIG. 5 is a right side elevational view thereof;

FIG. 6 is a top plan view thereof; and,

FIG. 7 is a bottom plan view thereof.

See application file for complete search history.

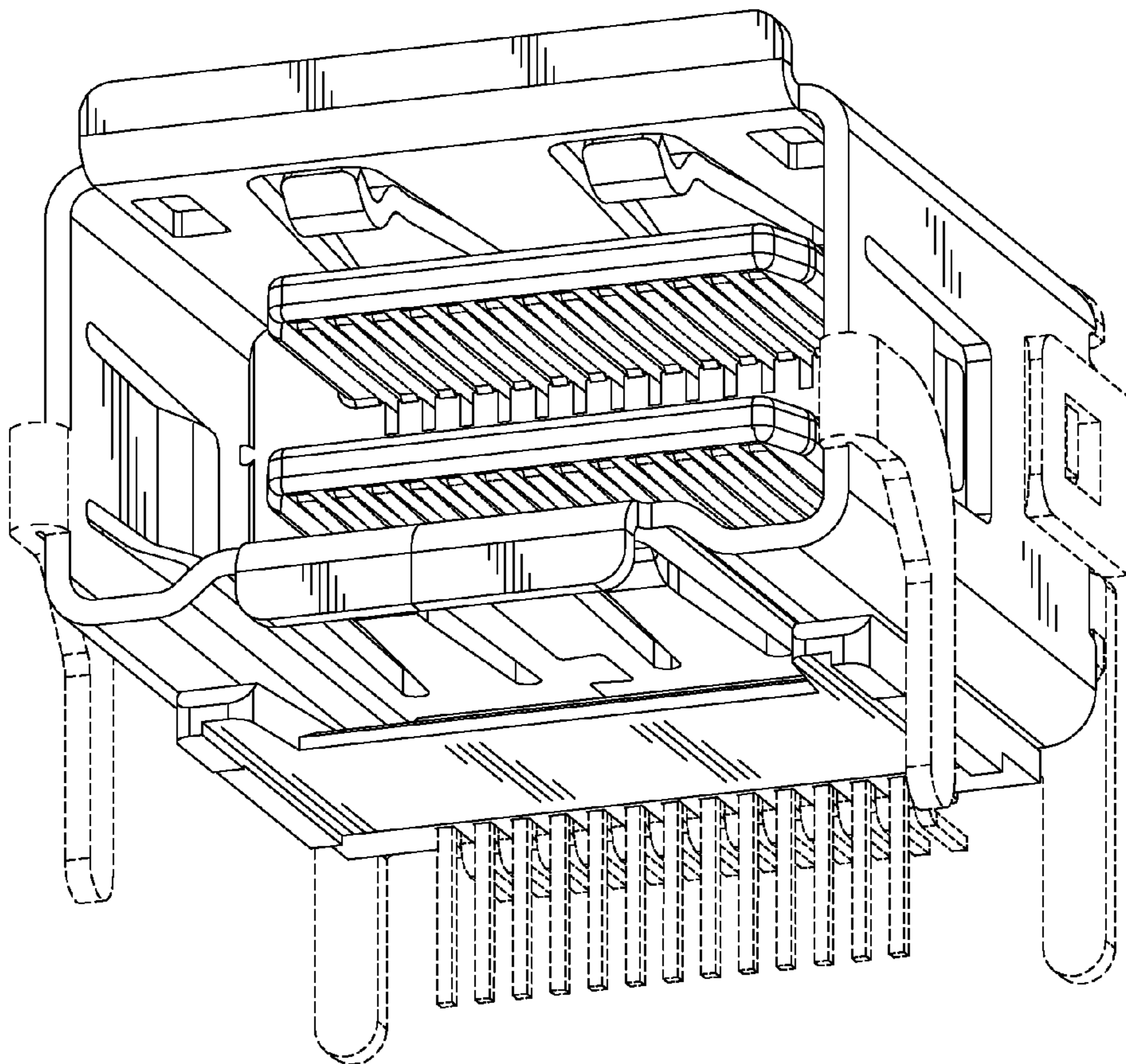
The broken line portion in the drawing views is included to
show unclaimed subject matter only and forms no part of the
claimed design.

(56) **References Cited**

U.S. PATENT DOCUMENTS

D593,495 S * 6/2009 Zhu et al. D13/147

1 Claim, 7 Drawing Sheets



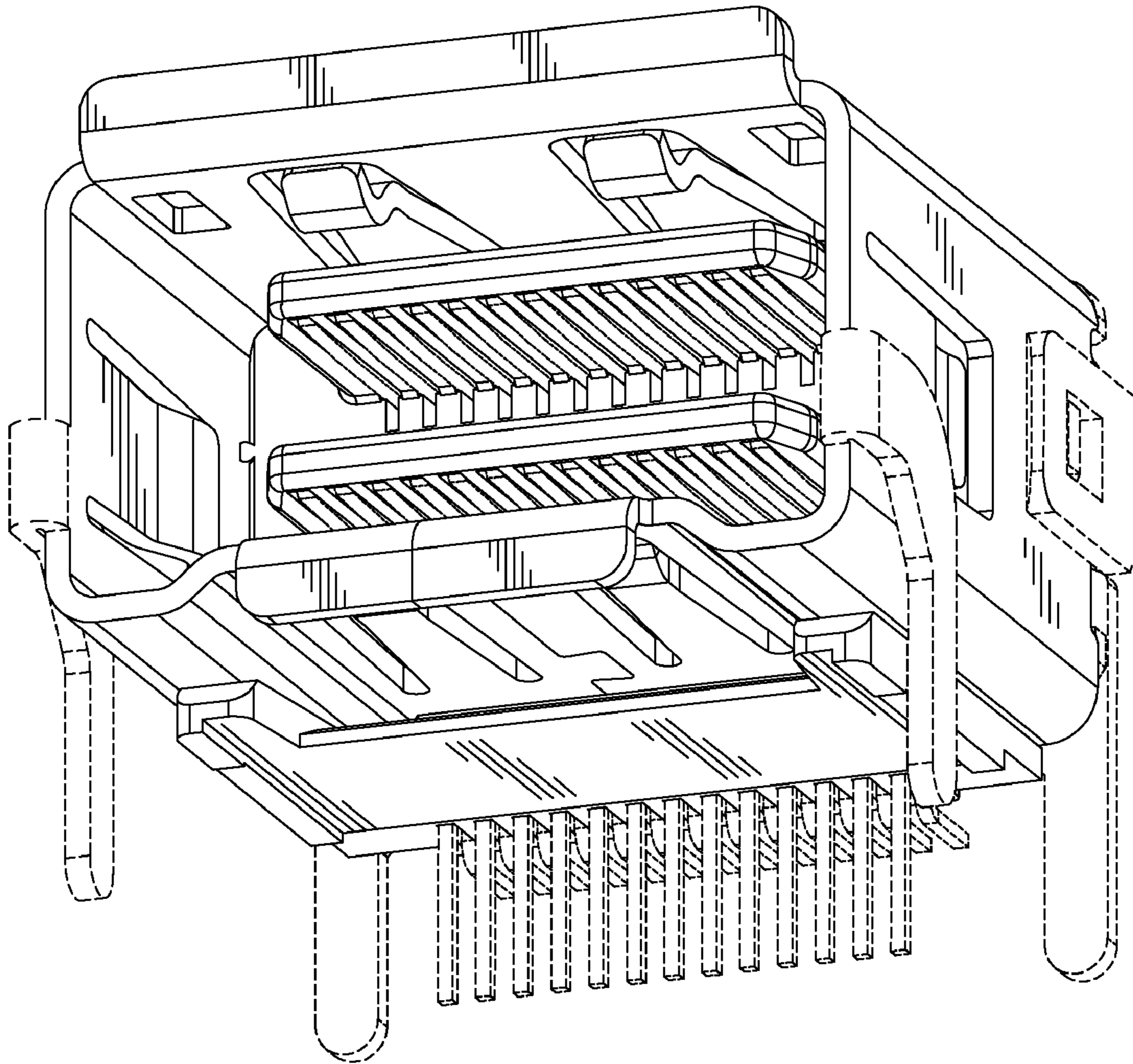


FIG. 1

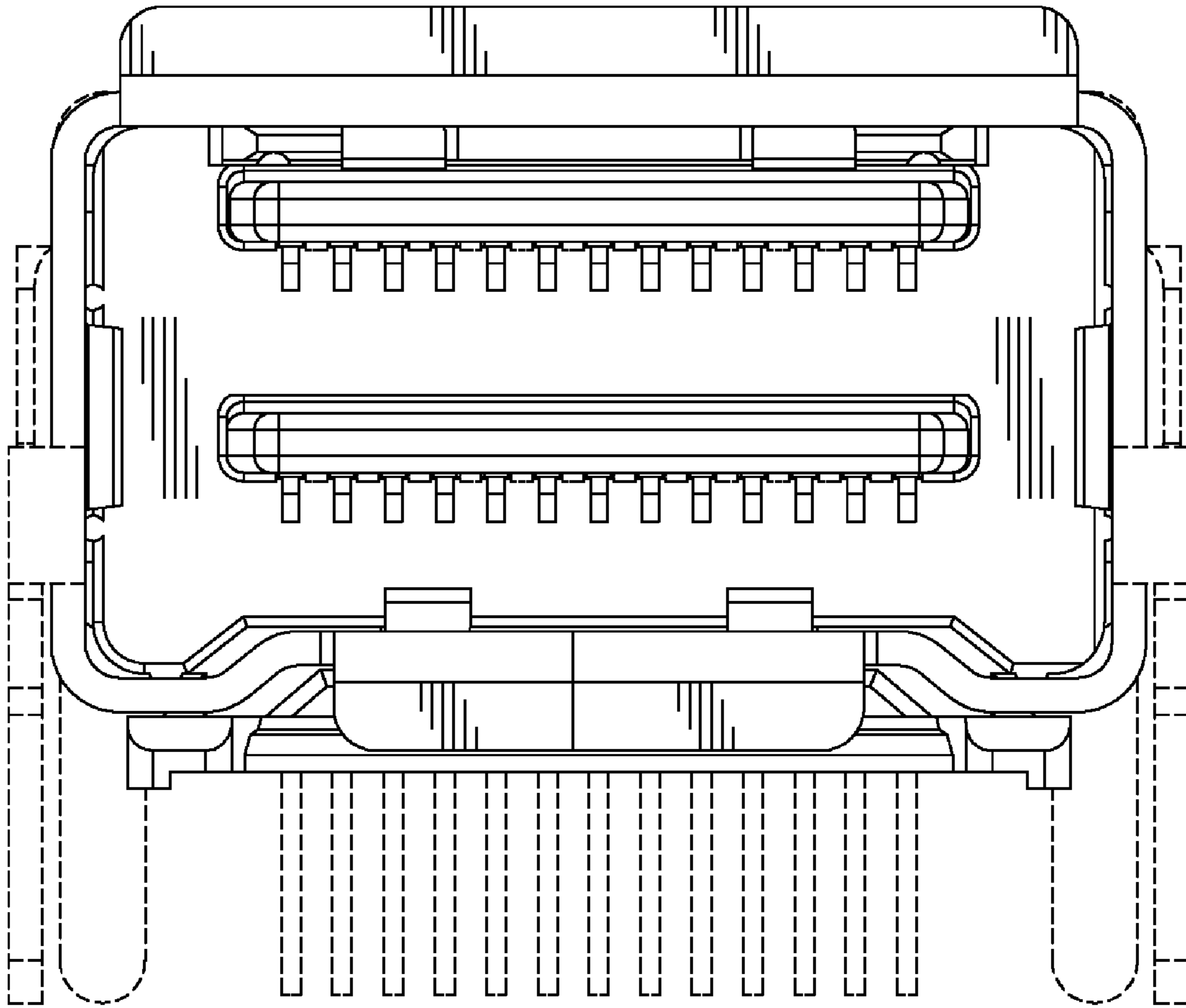


FIG. 2

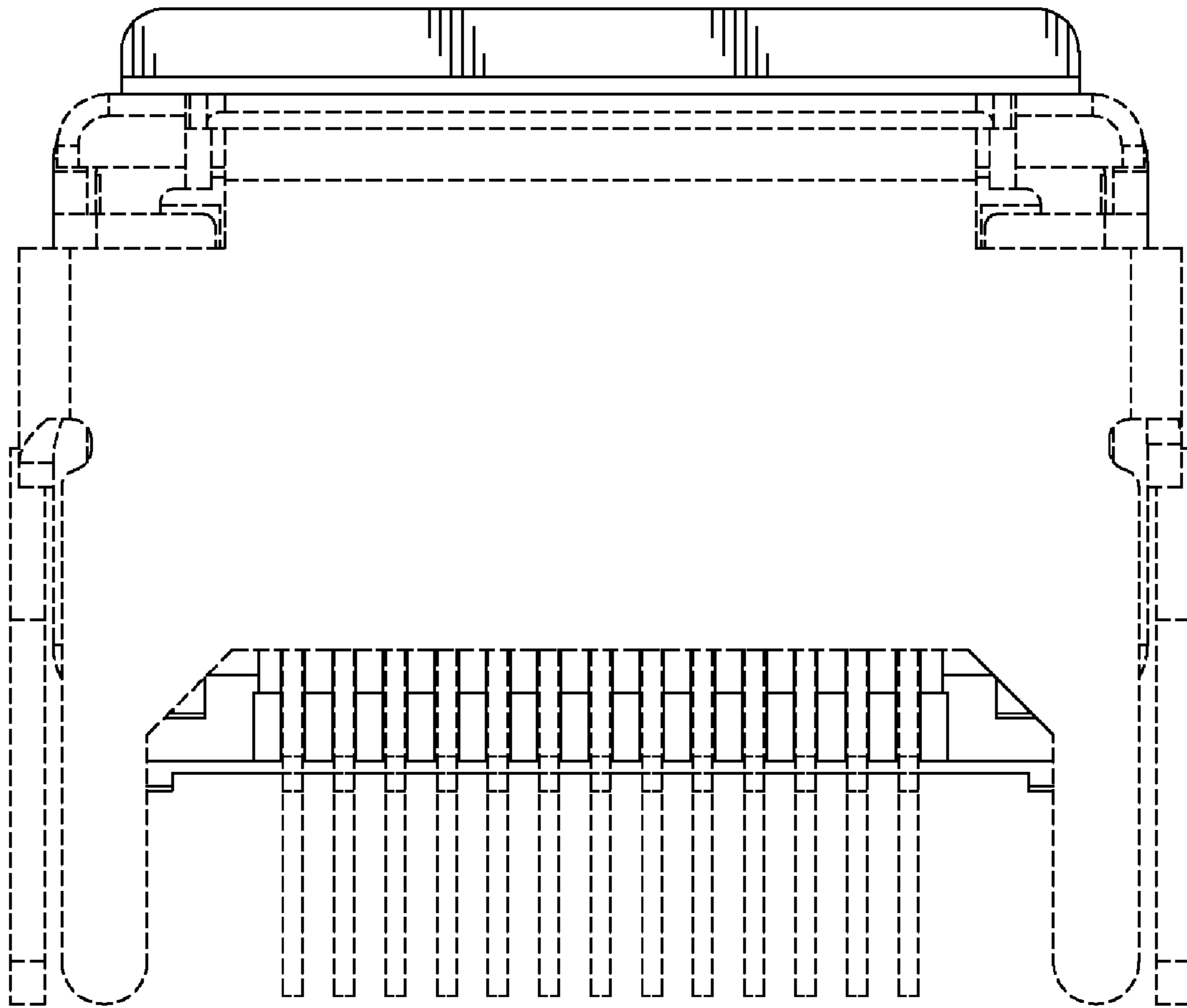


FIG. 3

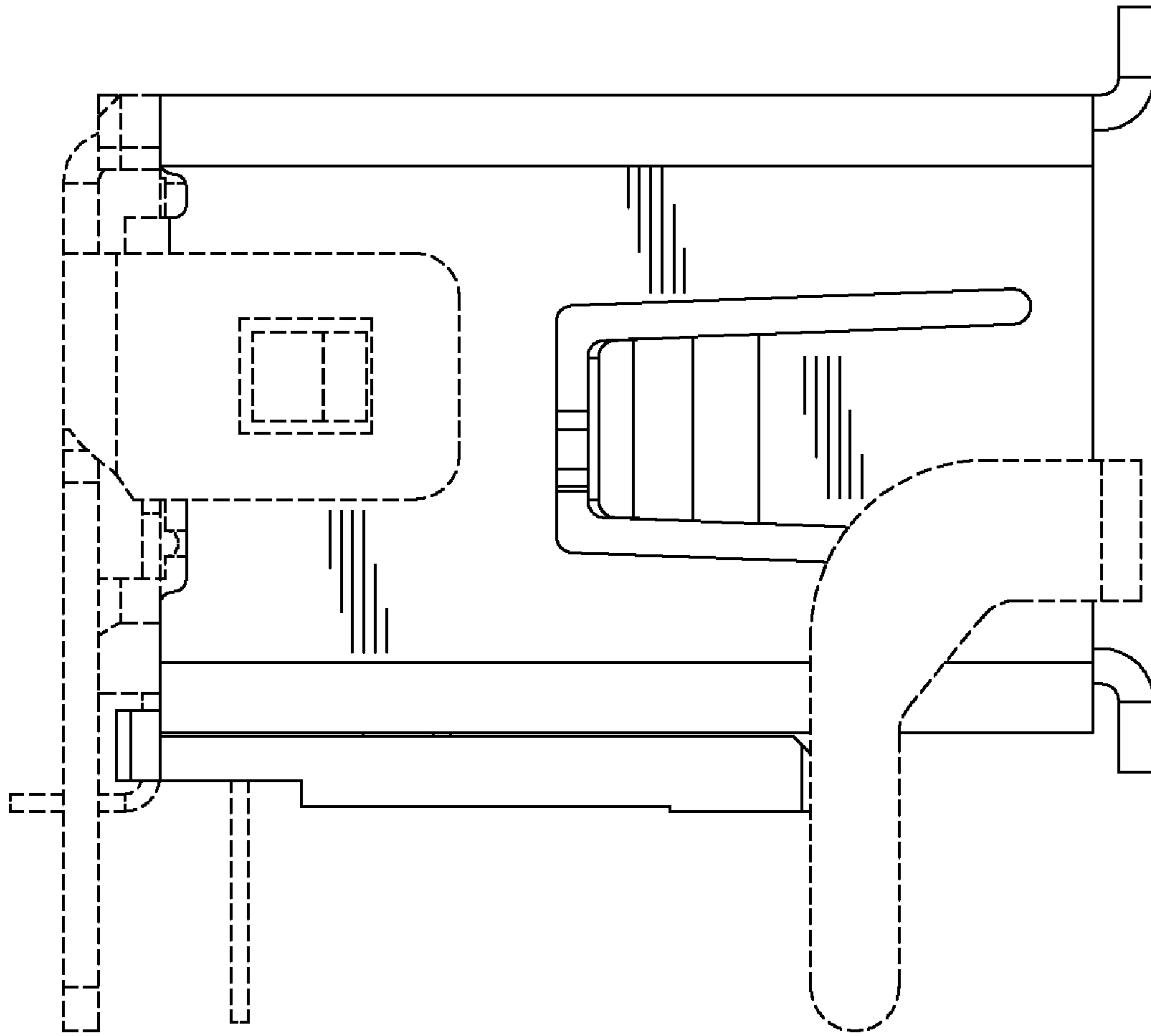


FIG. 4

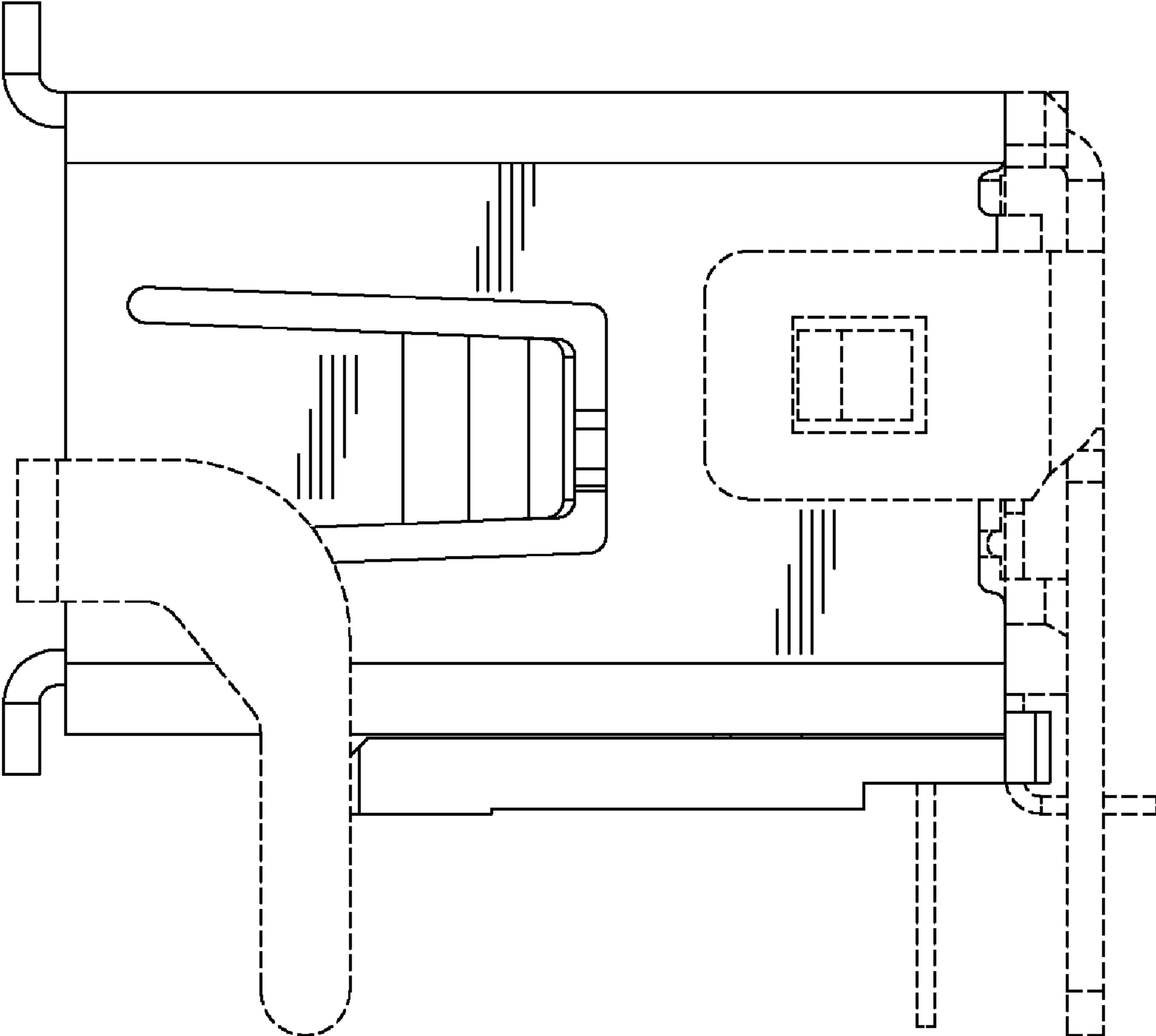


FIG. 5

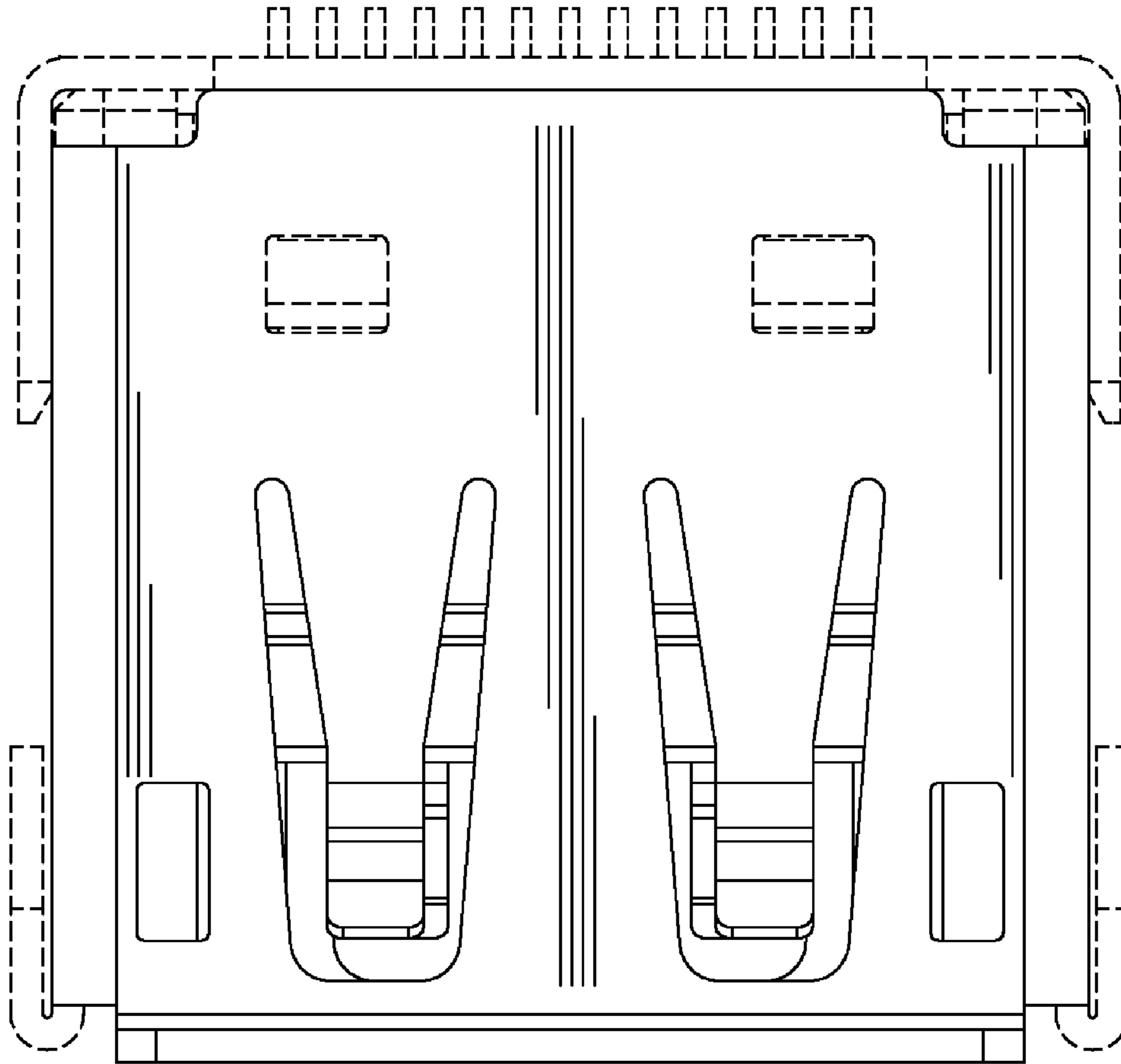


FIG. 6

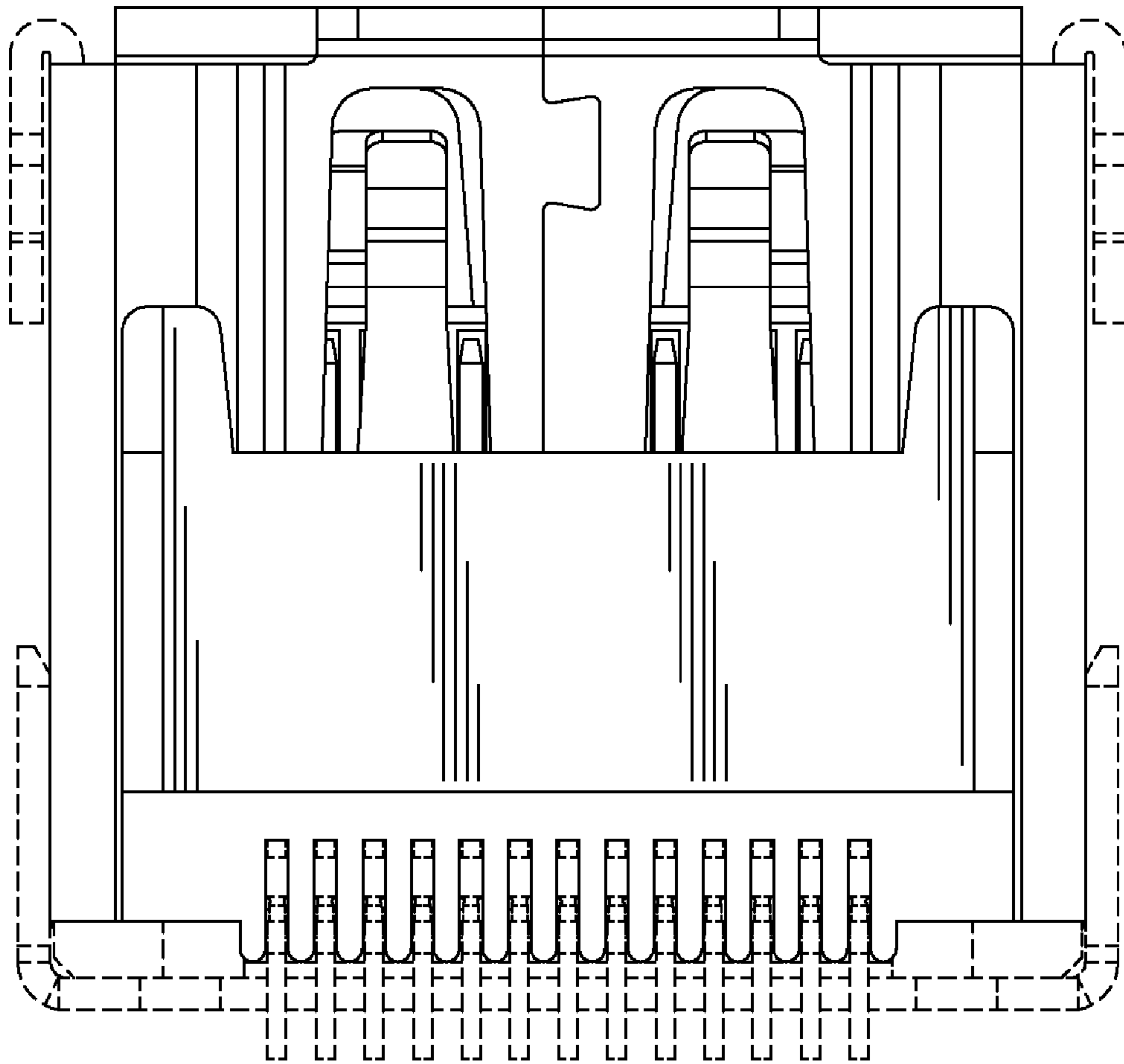


FIG. 7