



US00D617281S

(12) **United States Design Patent**
Chen et al.

(10) **Patent No.:** **US D617,281 S**
(45) **Date of Patent:** **** Jun. 8, 2010**

(54) **CABLE CONNECTOR ASSEMBLY**
(75) Inventors: **Hong-Ji Chen**, Kunshan (CN); **Su-Feng Liu**, Kunshan (CN); **Chin-Te Lai**, Tu-Cheng (CN)

D455,127 S * 4/2002 Wu D13/147
D578,480 S * 10/2008 Zhu et al. D13/147
D595,233 S * 6/2009 Yang D13/147
D602,435 S * 10/2009 Liu et al. D13/147

(73) Assignee: **Hon Hai Precision Ind. Co., Ltd.**, Taipei Hsien (TW)

* cited by examiner

(**) Term: **14 Years**

Primary Examiner—Daniel D Bui
(74) *Attorney, Agent, or Firm*—Wei Te Chung; Andrew C. Cheng; Ming Chieh Chang

(21) Appl. No.: **29/344,505**

(57) **CLAIM**

(22) Filed: **Sep. 30, 2009**

The ornamental design for a cable connector assembly, as shown.

(30) **Foreign Application Priority Data**
Mar. 31, 2009 (CN) 2009 3 0302064

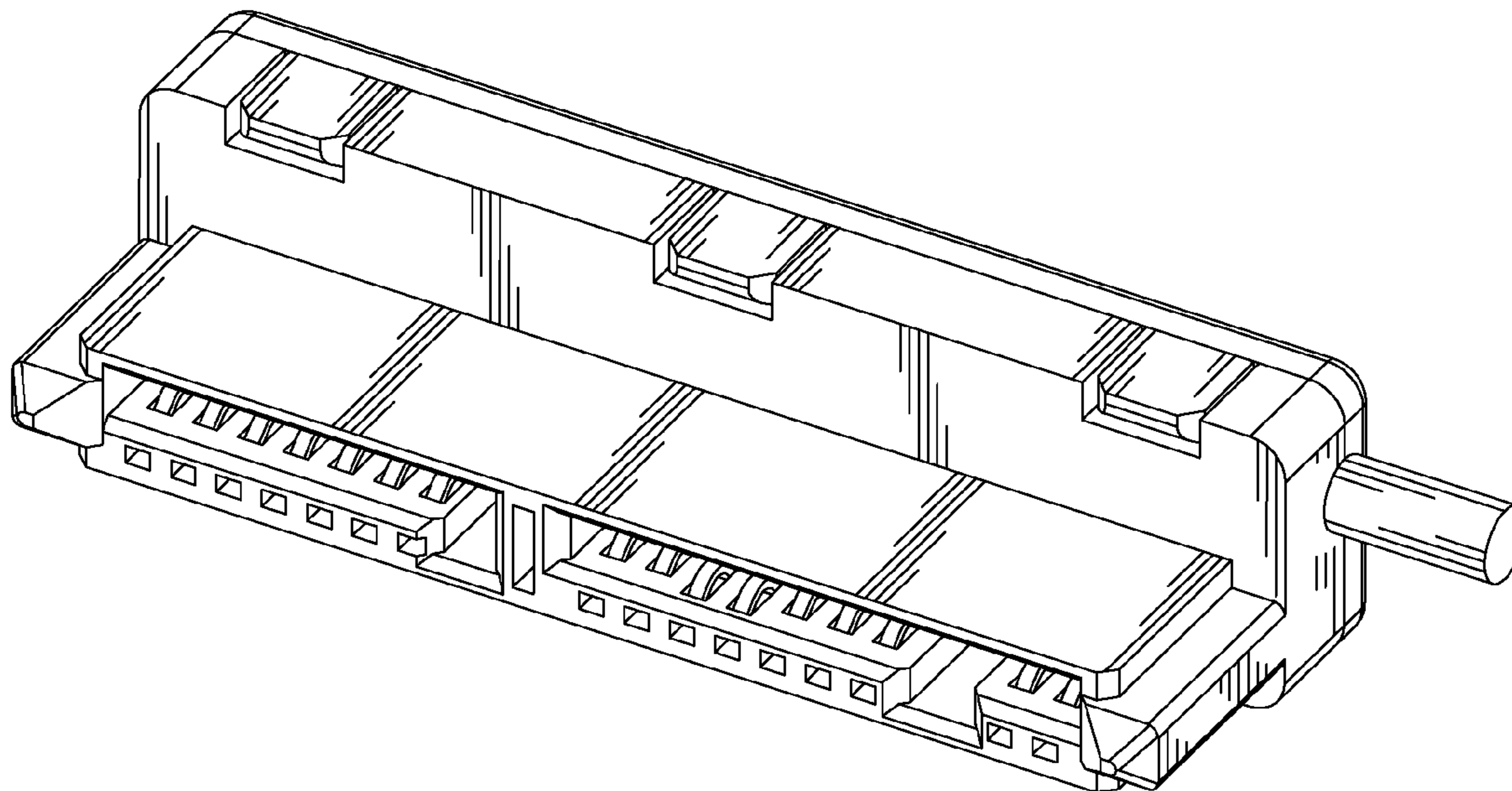
DESCRIPTION

(51) **LOC (9) Cl.** **13-03**
(52) **U.S. Cl.** **D13/147**
(58) **Field of Classification Search** D13/147,
D13/154, 184; 439/78-79, 564, 573, 607-610,
439/650, 677, 680-682, 686
See application file for complete search history.

FIG. 1 is a perspective view of a cable connector assembly showing our new design;
FIG. 2 is a front elevational view thereof;
FIG. 3 is a rear elevational view thereof;
FIG. 4 is a left side elevational view thereof;
FIG. 5 is a right side elevational view thereof;
FIG. 6 is a top plan view thereof; and,
FIG. 7 is a bottom plan view thereof;

(56) **References Cited**
U.S. PATENT DOCUMENTS
D412,700 S * 8/1999 Gardner et al. D13/147

1 Claim, 7 Drawing Sheets



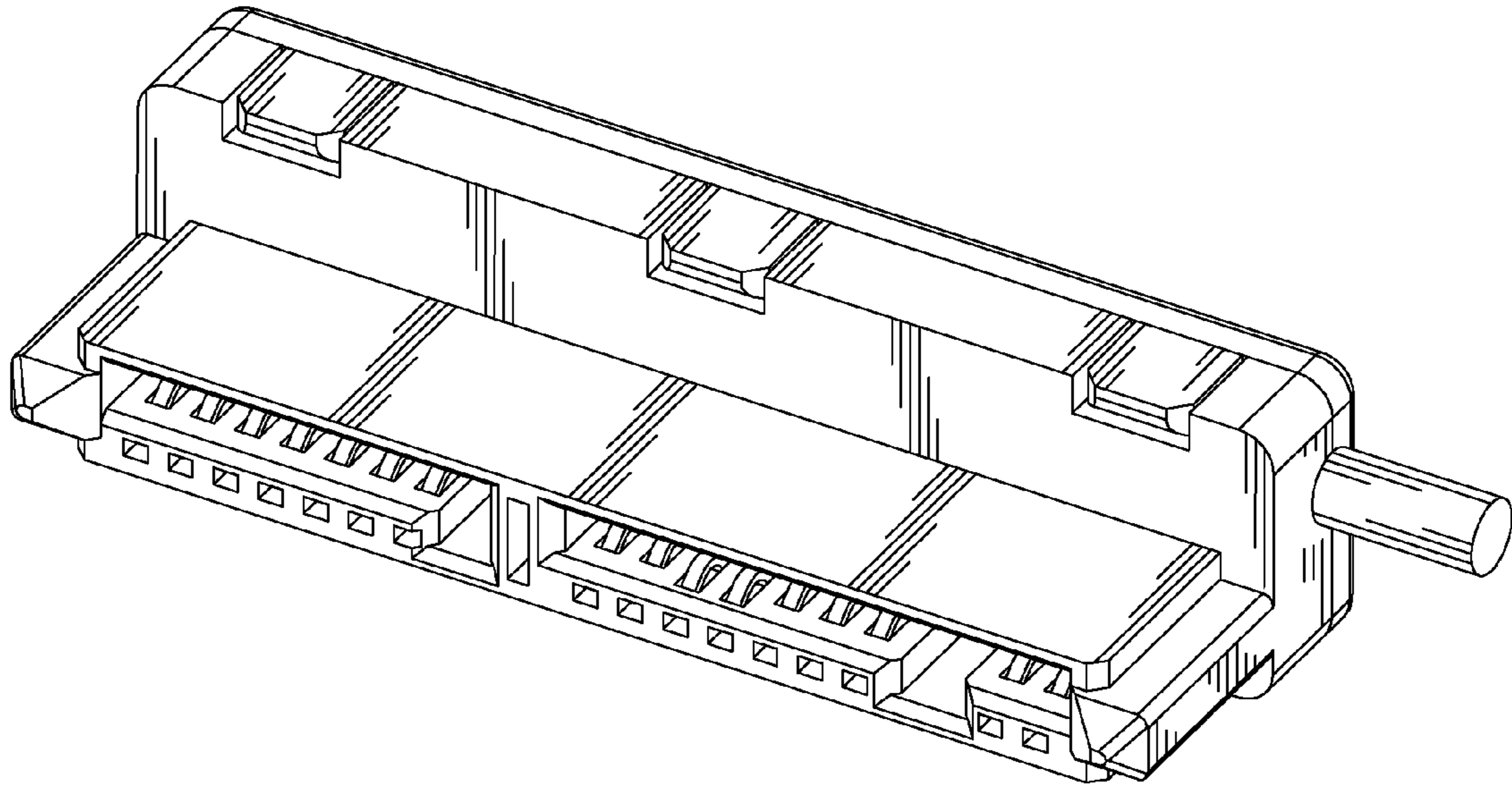


FIG. 1

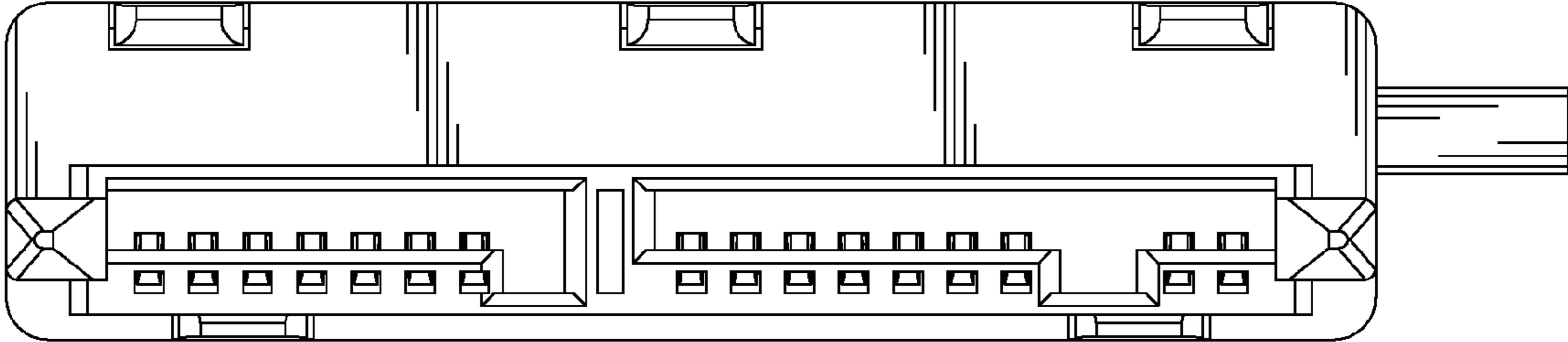


FIG. 2

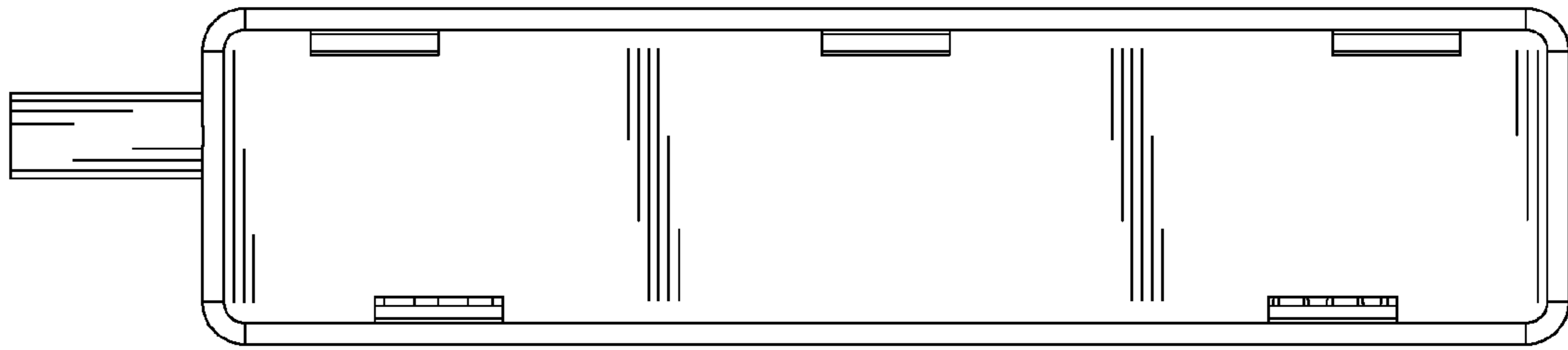


FIG. 3

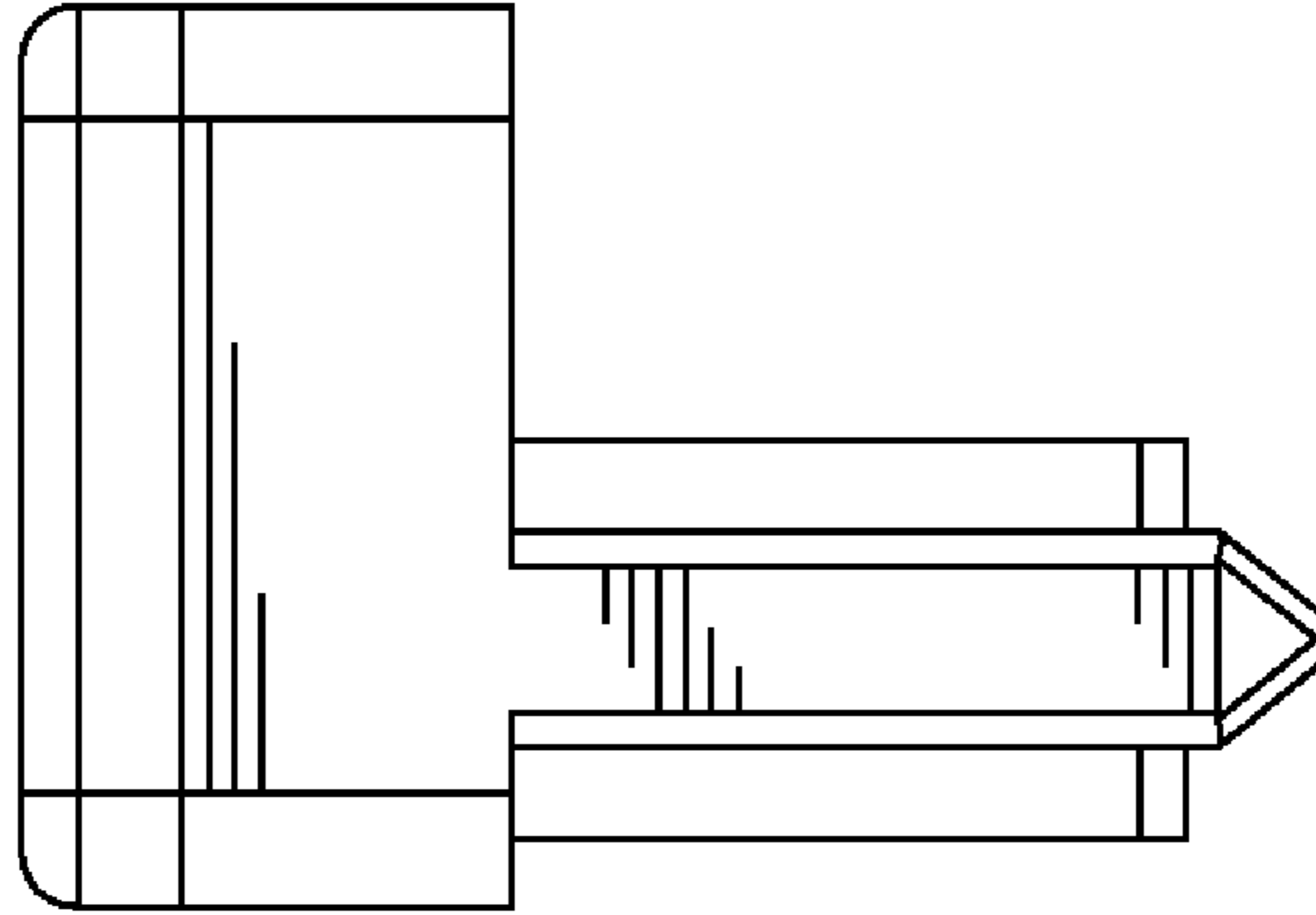


FIG. 4

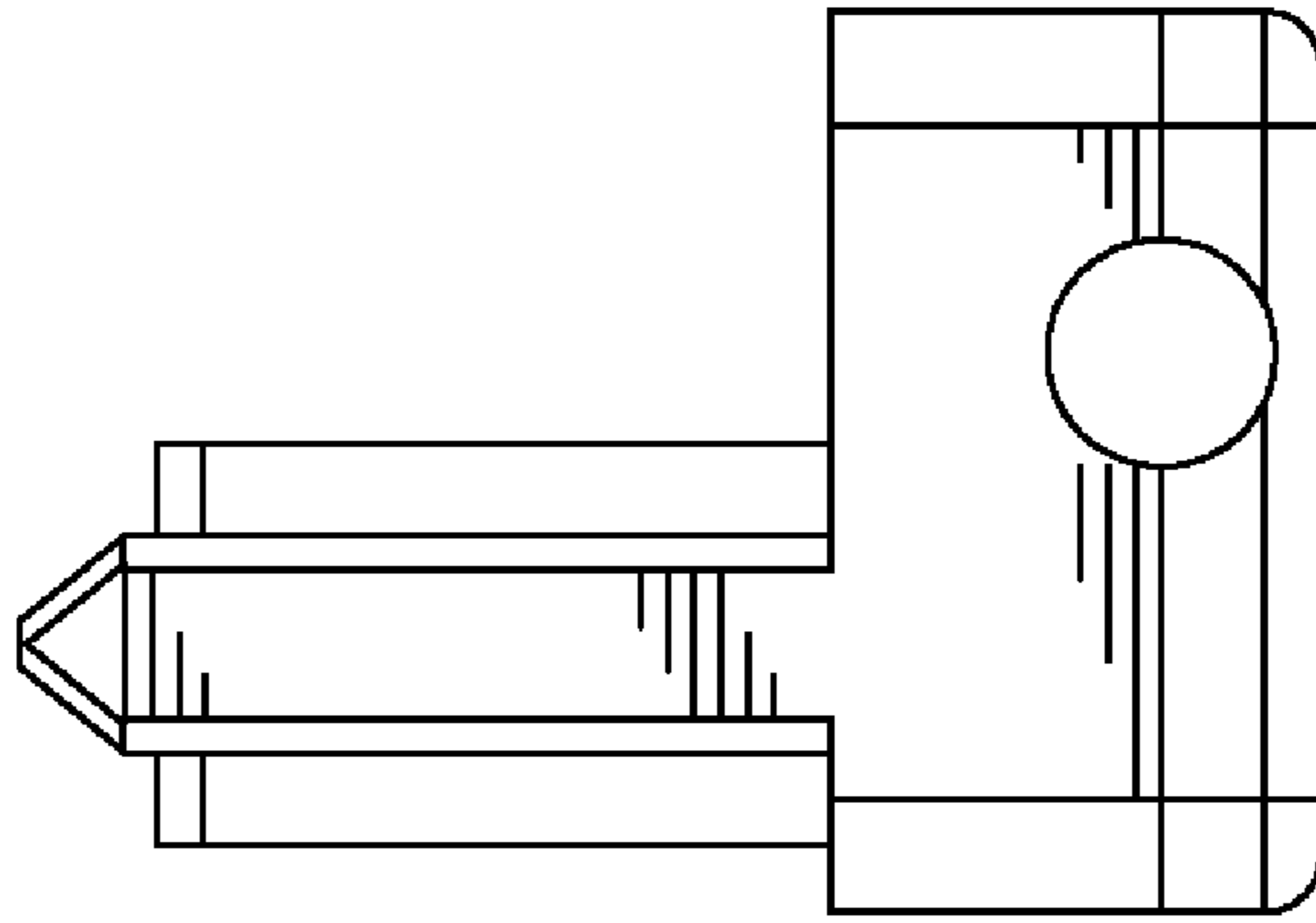


FIG. 5

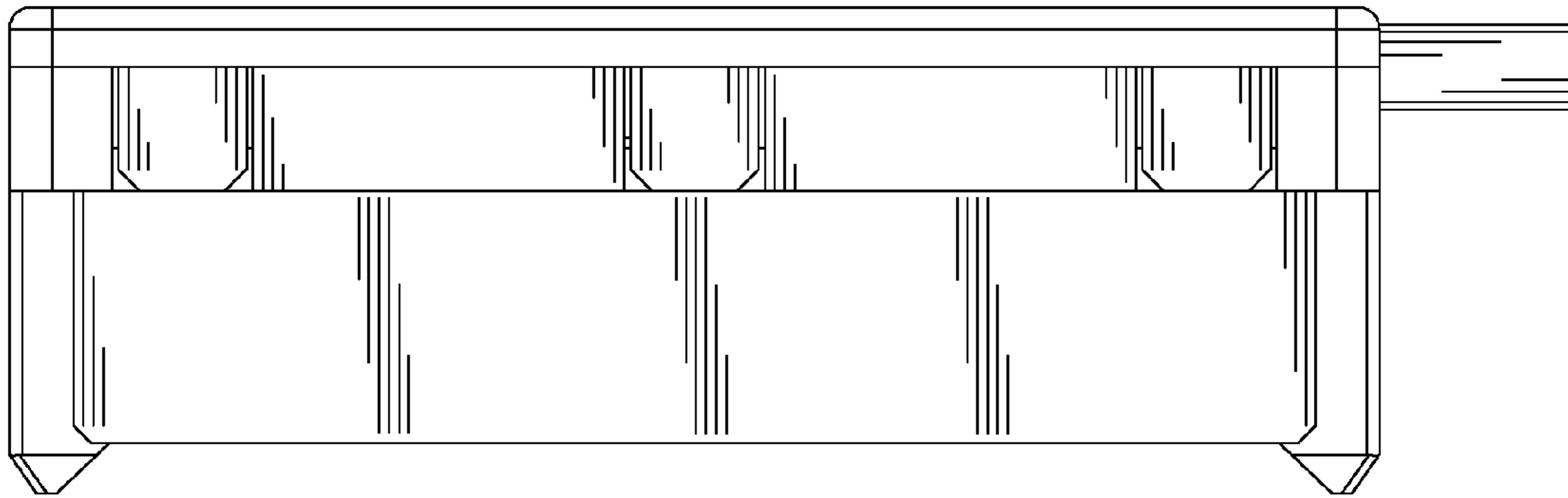


FIG. 6

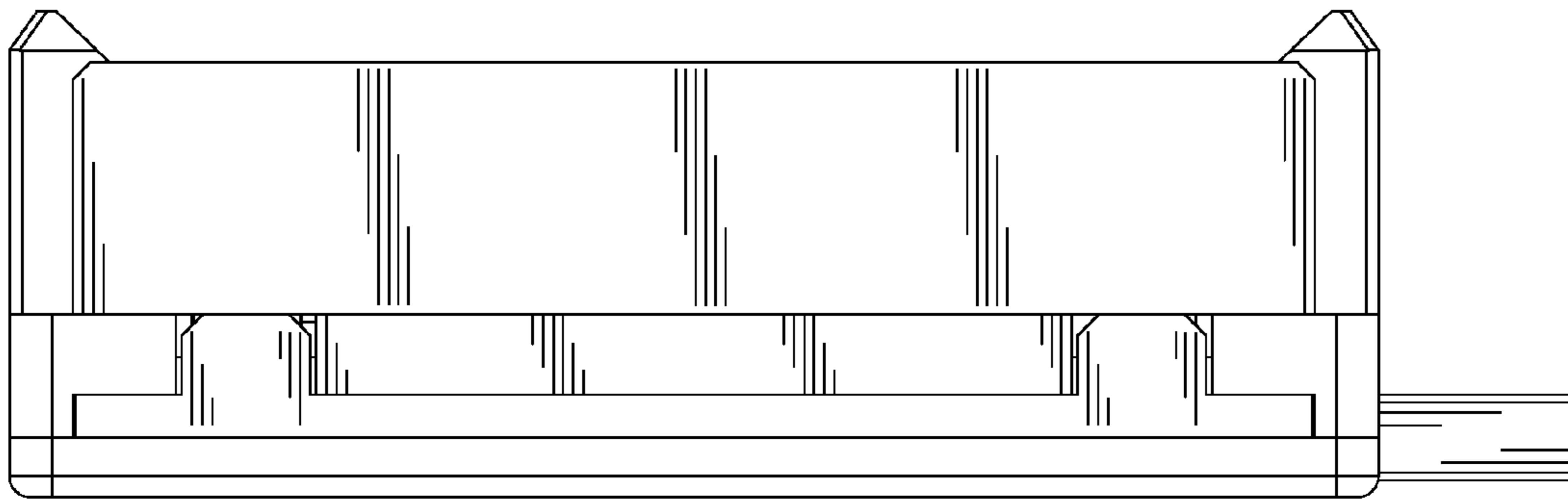


FIG. 7