



US00D617280S

(12) **United States Design Patent**  
**Yotsutani**

(10) **Patent No.:** **US D617,280 S**  
(45) **Date of Patent:** **\*\* Jun. 8, 2010**

(54) **ELECTRIC CONNECTOR**

(75) Inventor: **Kenichi Yotsutani**, Machida (JP)

(73) Assignee: **I-PEX Co., Ltd.**, Tokyo (JP)

(\*\*) Term: **14 Years**

(21) Appl. No.: **29/341,868**

(22) Filed: **Aug. 13, 2009**

(30) **Foreign Application Priority Data**

Feb. 13, 2009 (JP) ..... 2009-002921

(51) **LOC (9) Cl.** ..... **13-03**

(52) **U.S. Cl.** ..... **D13/147**

(58) **Field of Classification Search** ..... D13/147,  
D13/154, 184; 439/73, 79, 83, 160, 181,  
439/260, 492-499, 495, 607-610, 637, 660,  
439/680

See application file for complete search history.

(56) **References Cited**

**U.S. PATENT DOCUMENTS**

D482,001 S \* 11/2003 Hisamatsu et al. .... D13/147  
D489,335 S \* 5/2004 Ko ..... D13/147  
7,465,186 B2 \* 12/2008 Yotsutani ..... 439/497  
D597,952 S \* 8/2009 Kikuchi et al. .... D13/147  
D598,862 S \* 8/2009 Chen ..... D13/147  
D608,290 S \* 1/2010 Ikari ..... D13/147

**FOREIGN PATENT DOCUMENTS**

JP 1290087 12/2006

**OTHER PUBLICATIONS**

U.S. Appl. No. 29/341,868, filed Aug. 13, 2009, Yotsutani.  
U.S. Appl. No. 29/341,872, filed Aug. 13, 2009, Yotsutani.

\* cited by examiner

*Primary Examiner*—Daniel D Bui  
(74) *Attorney, Agent, or Firm*—Oblon, Spivak, McClelland,  
Maier & Neustadt, L.L.P.

(57) **CLAIM**

The ornamental design for an electric connector, as shown and described.

**DESCRIPTION**

FIG. 1 is a front view of an electric connector showing my new design;

FIG. 2 is a top view thereof;

FIG. 3 is a rear view thereof;

FIG. 4 is a bottom view thereof;

FIG. 5 is a right side view thereof;

FIG. 6 is a cross-sectional view thereof, on an enlarged scale, taken along line 6—6 in FIG. 1;

FIG. 7 is a cross-sectional view thereof, on an enlarged scale, taken along line 7—7 in FIG. 1;

FIG. 8 is a top, front and right side perspective view thereof;

FIG. 9 is a bottom, front and left side perspective view thereof;

FIG. 10 is a top, front and right side perspective view thereof, in use condition;

FIG. 11 is a bottom, front and left side perspective view thereof, in use condition;

FIG. 12 is an enlarged view of FIG. 1; and,

FIG. 13 is an enlarged view of FIG. 3.

A left side view of the electric connector is omitted because it is presented symmetric to the right side view of FIG. 5.

The broken line in the figure drawings is included for the purpose of illustrating environment and forms no part of the claimed design.

**1 Claim, 7 Drawing Sheets**

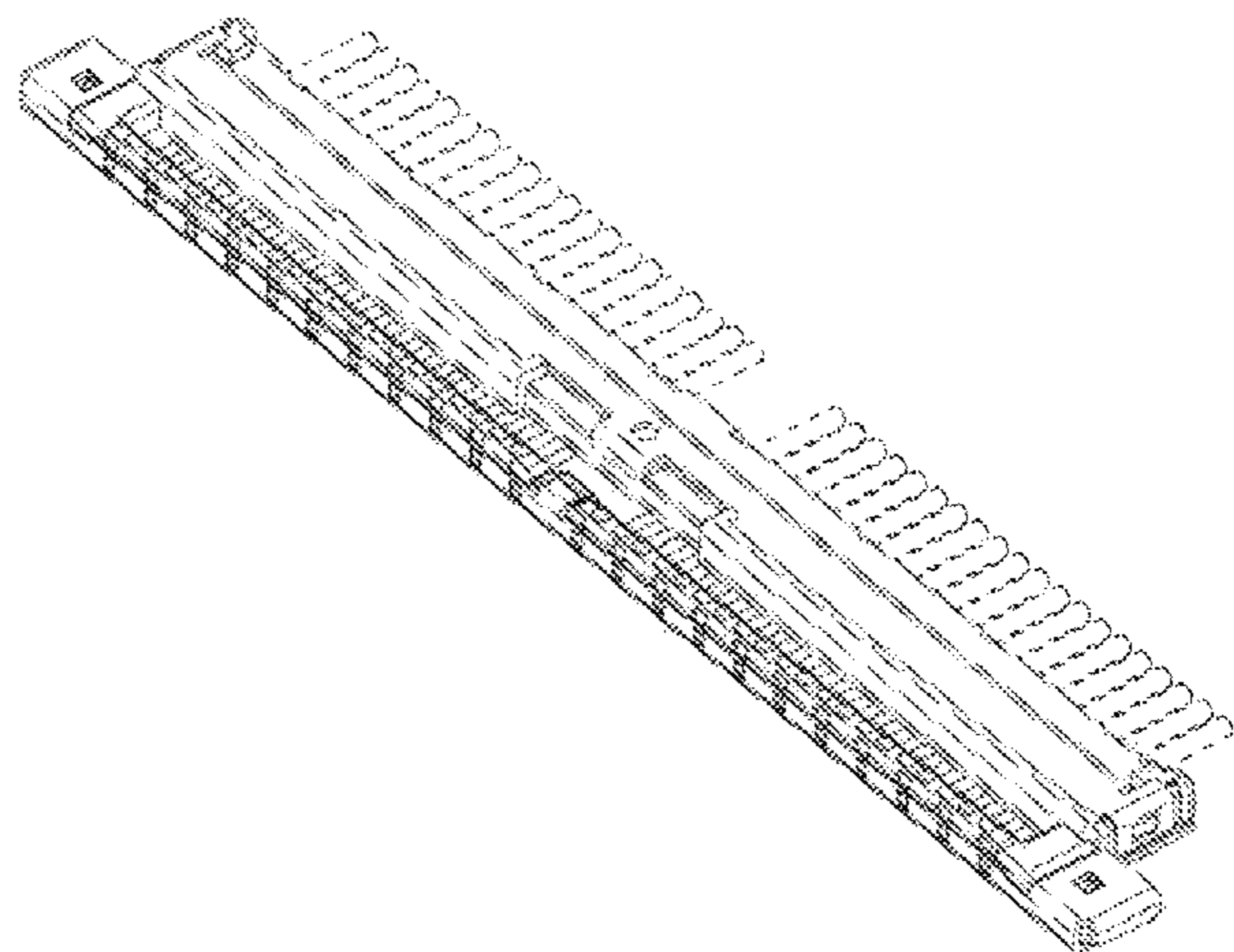
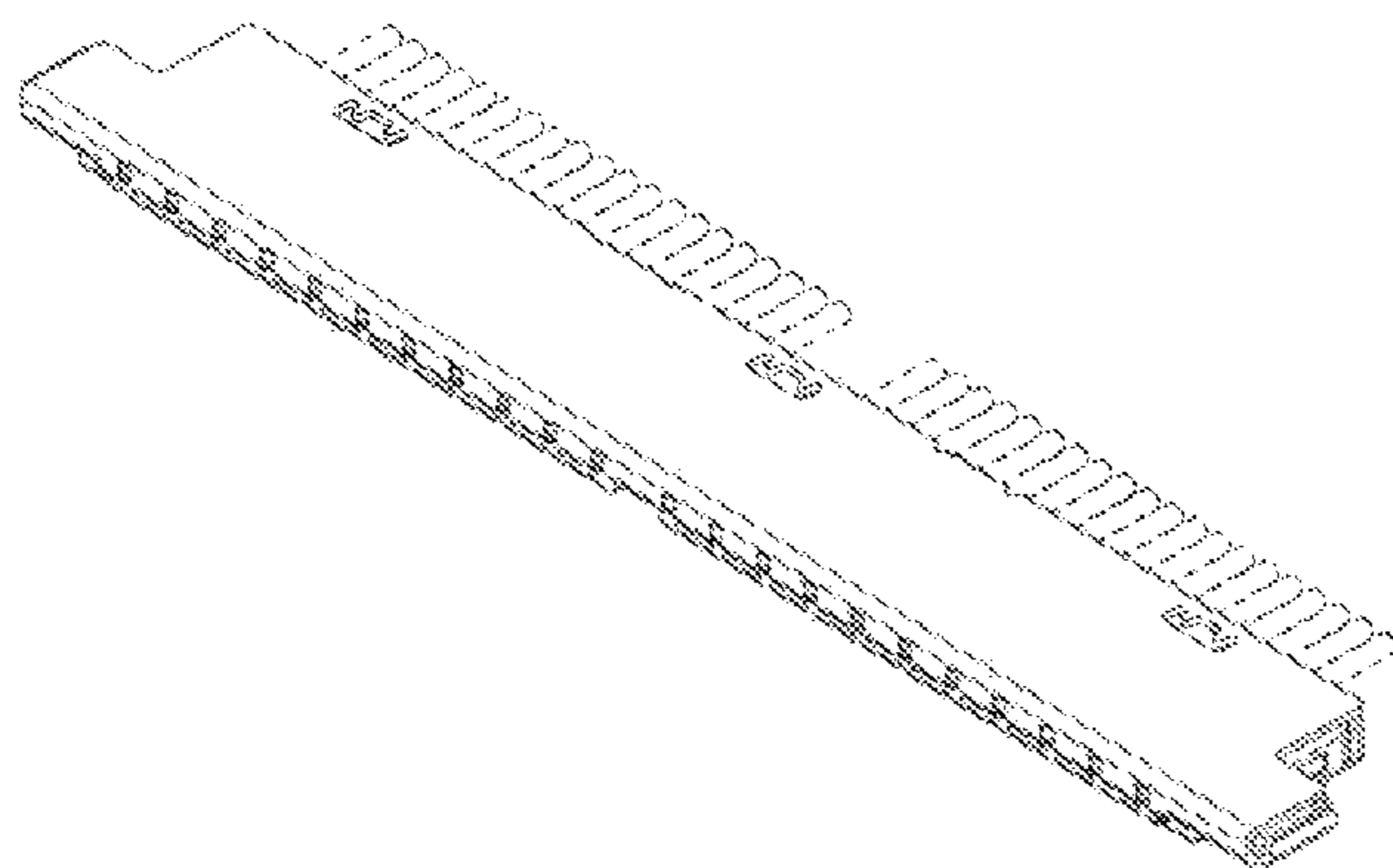


FIG. 1

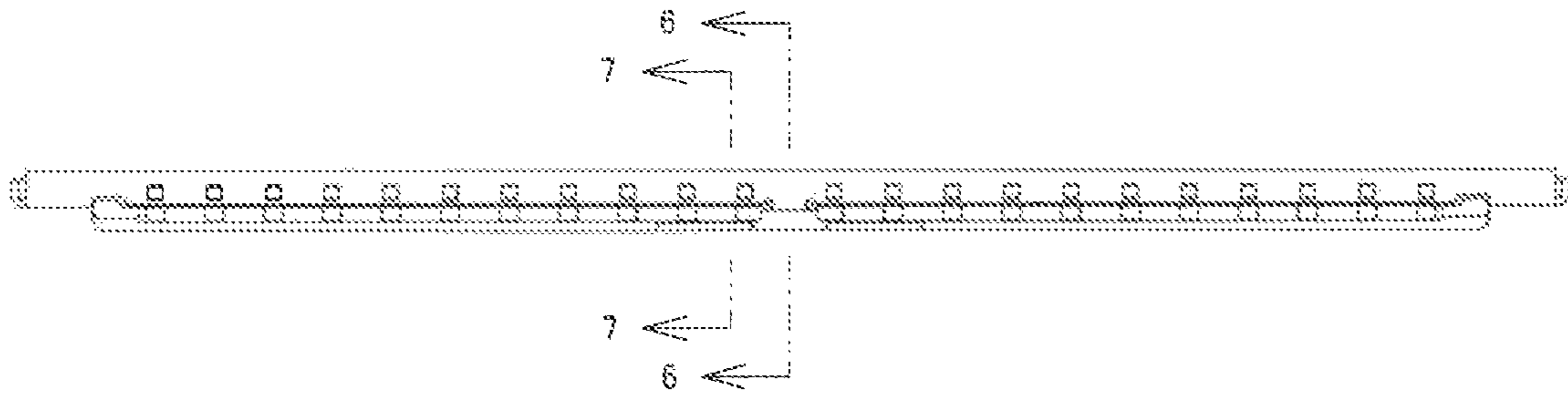
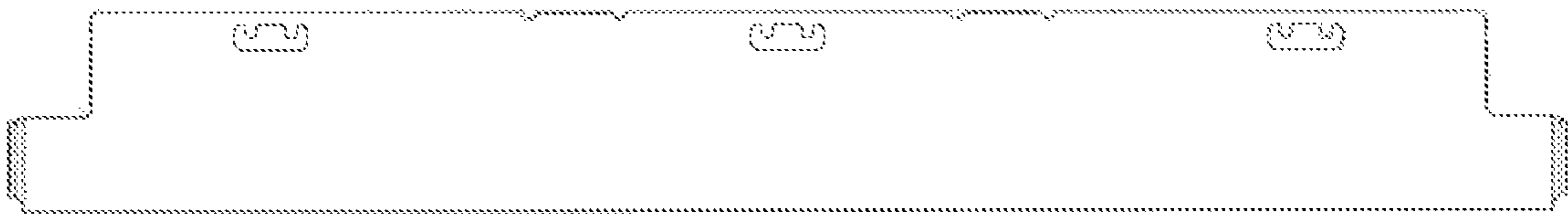
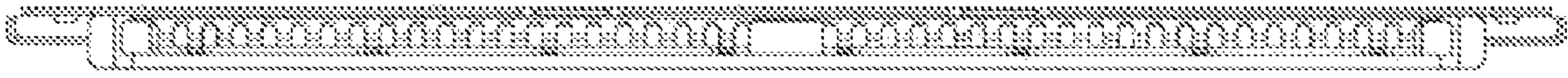


FIG. 2



F I G . 3



F I G . 4

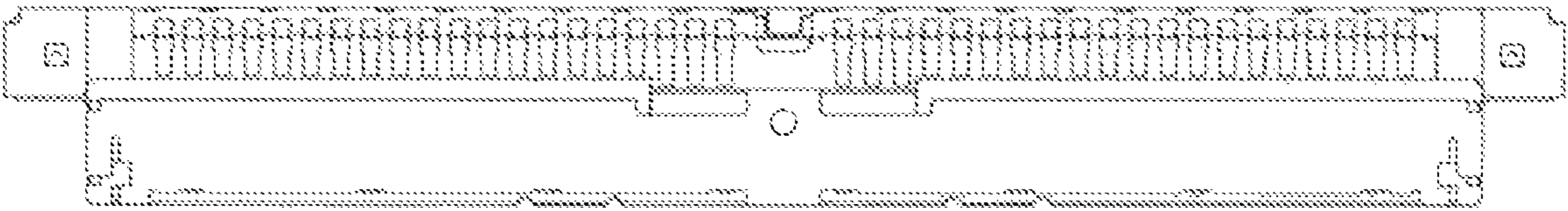


FIG. 5



FIG. 6

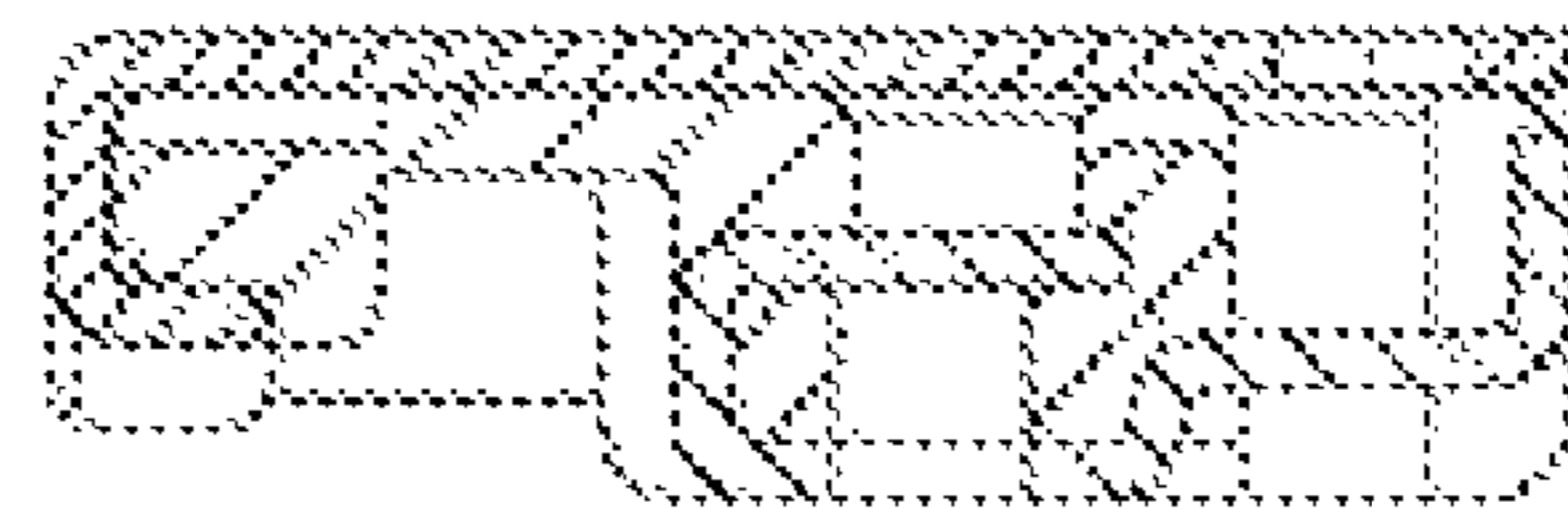


FIG. 7

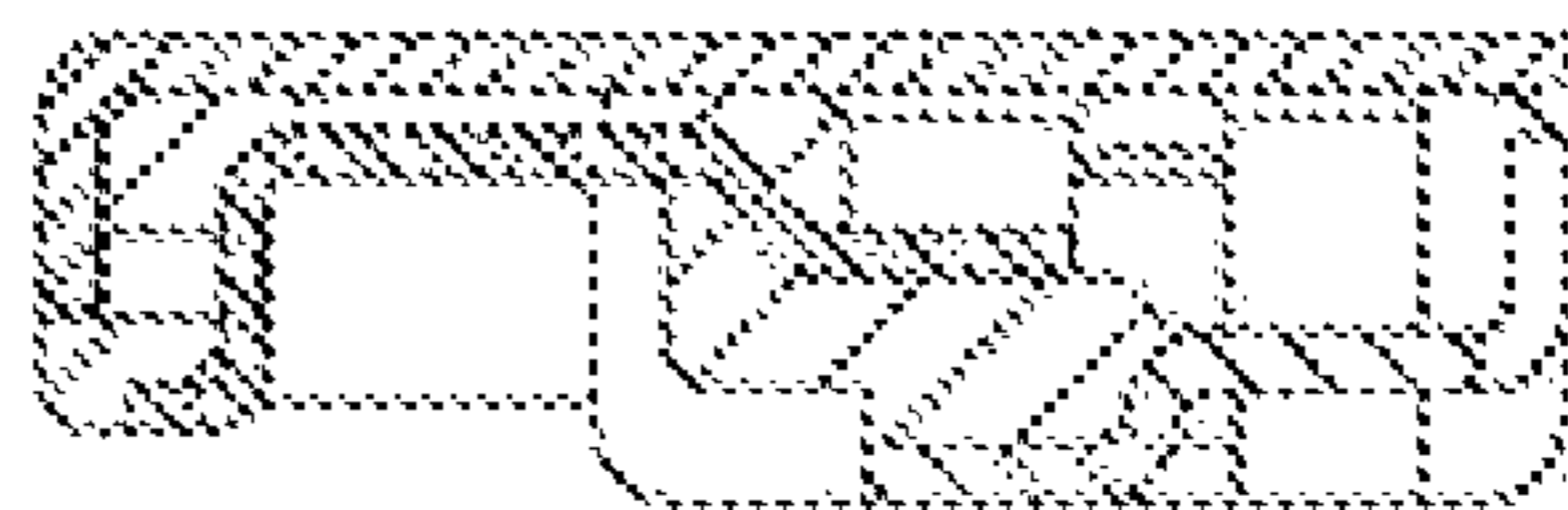


FIG. 8

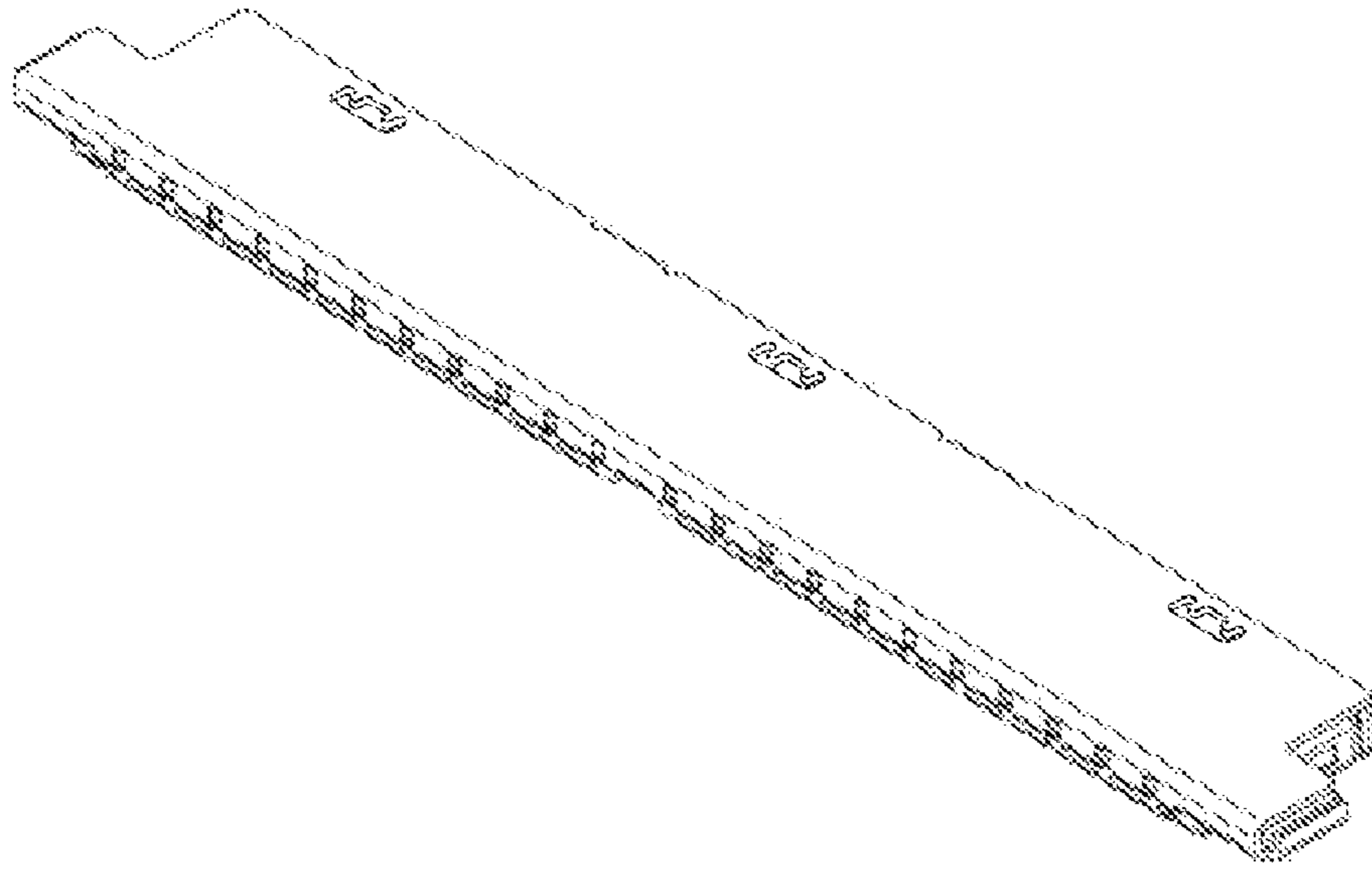


FIG. 9

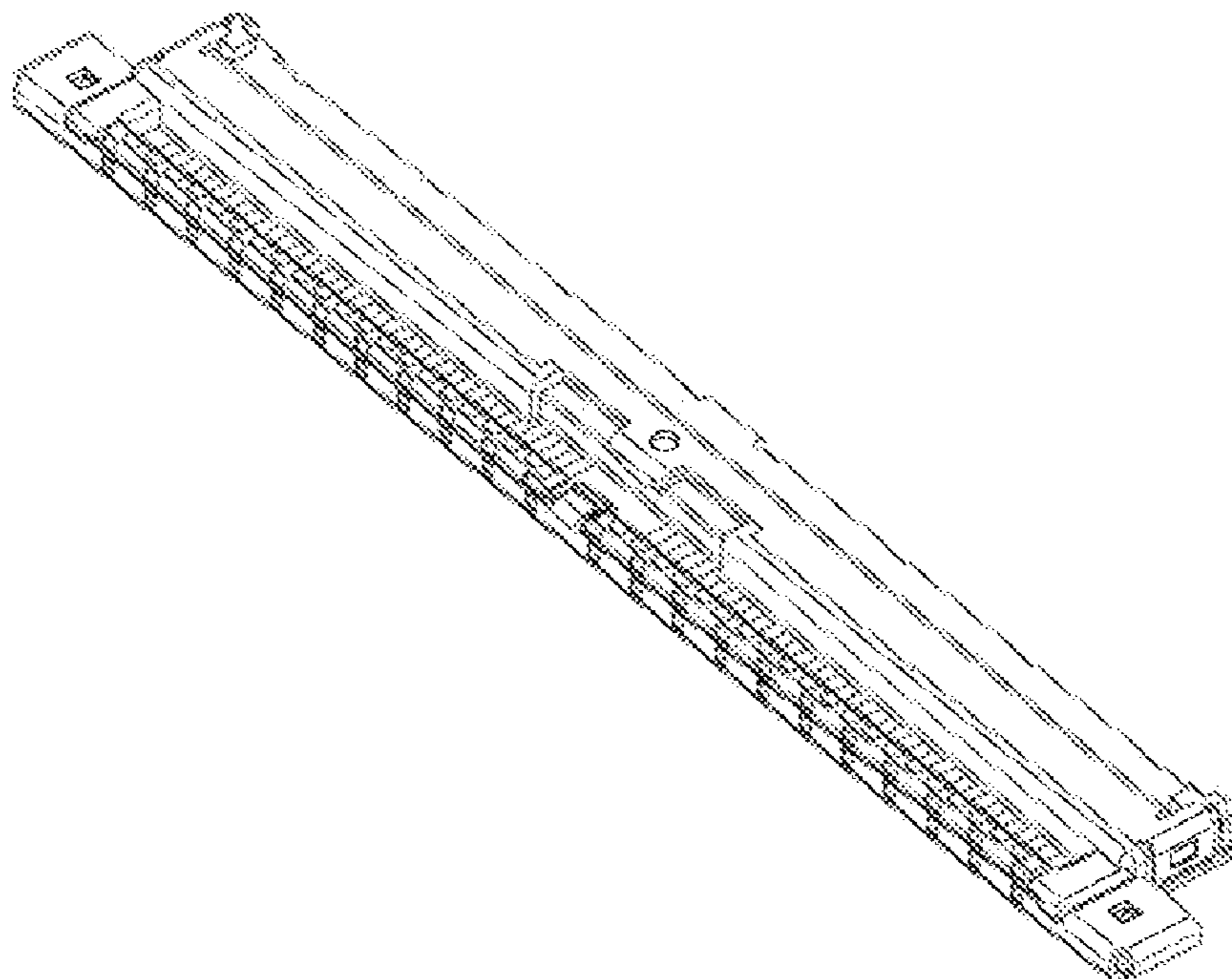


FIG. 10

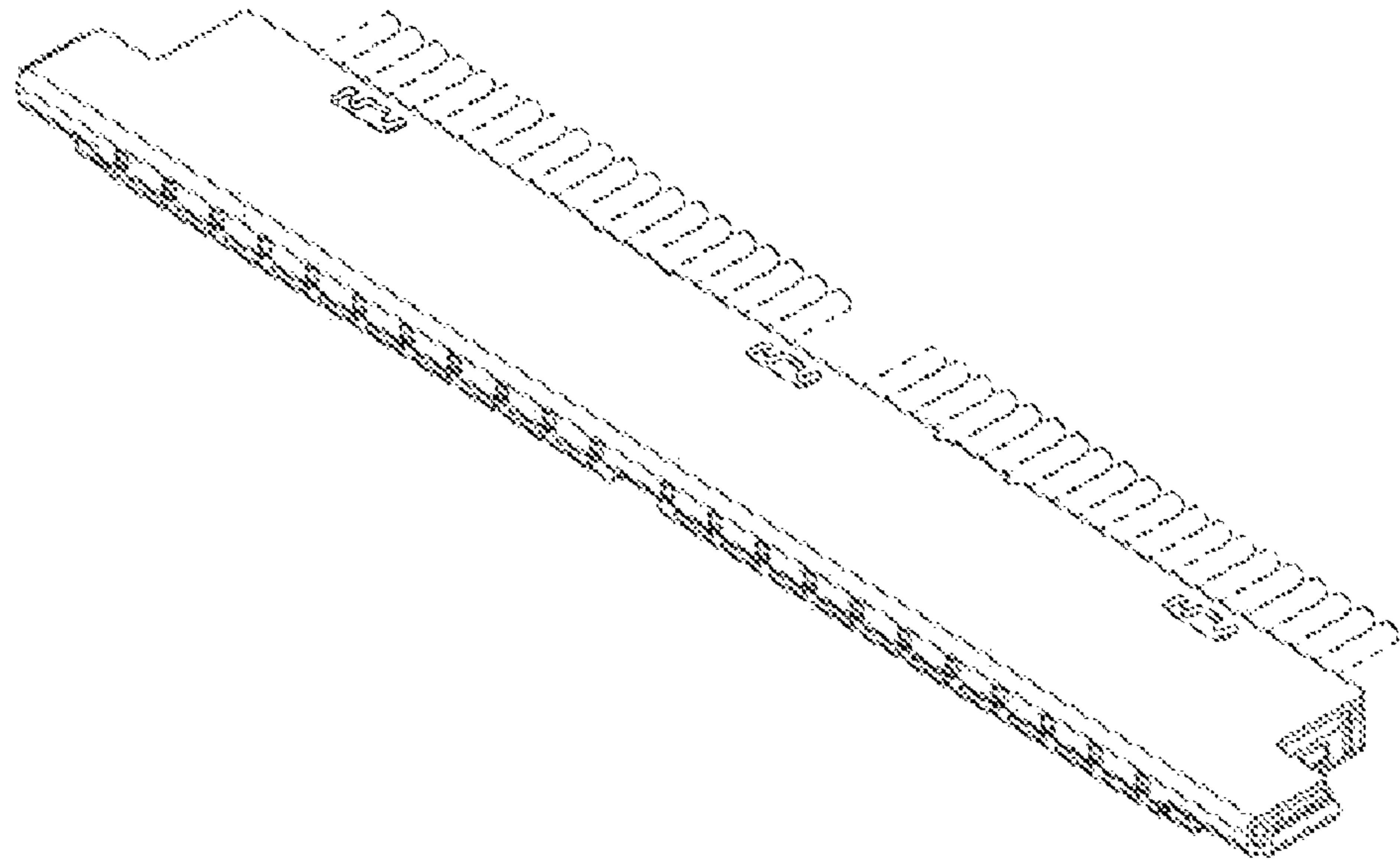


FIG. 11

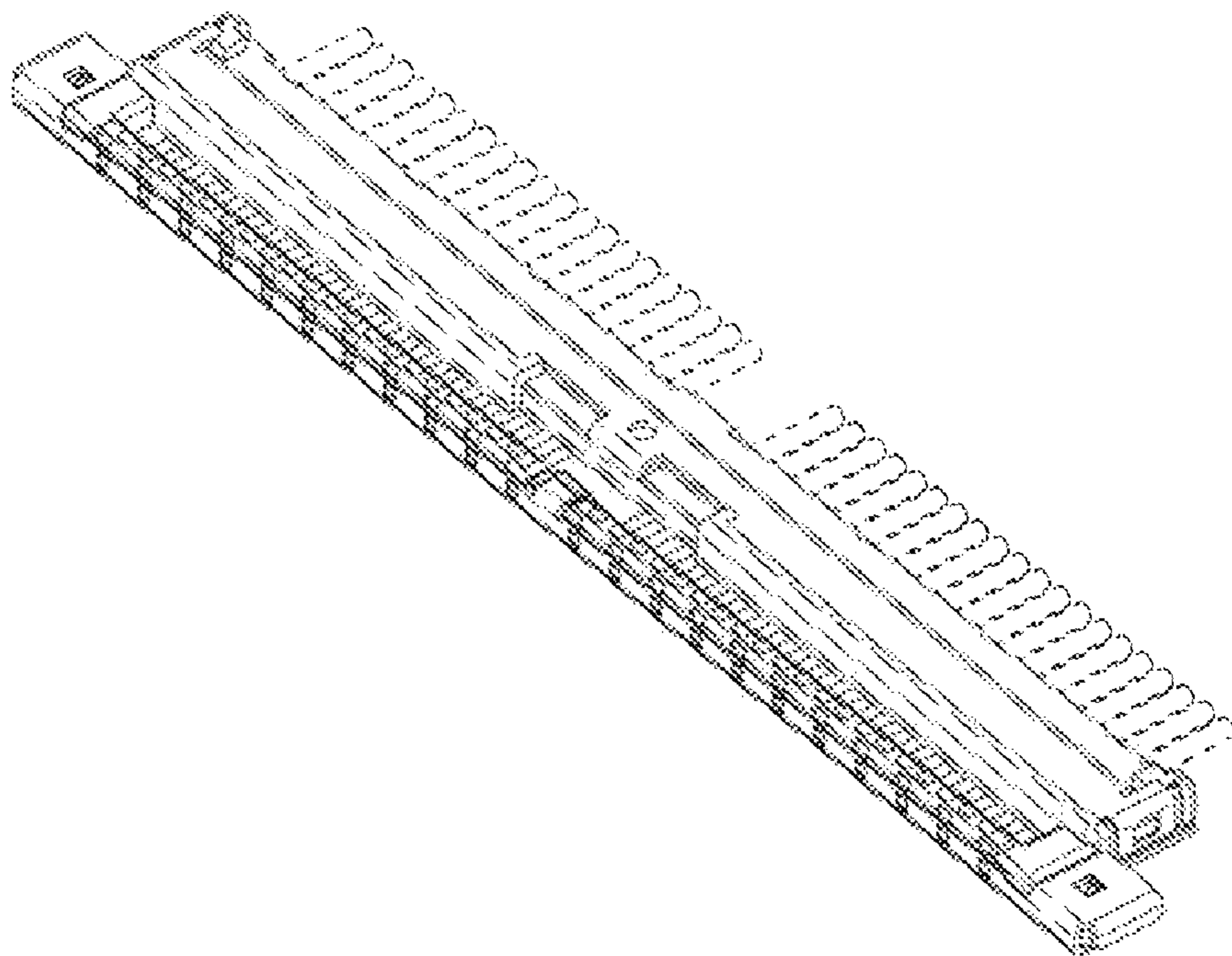


FIG. 12

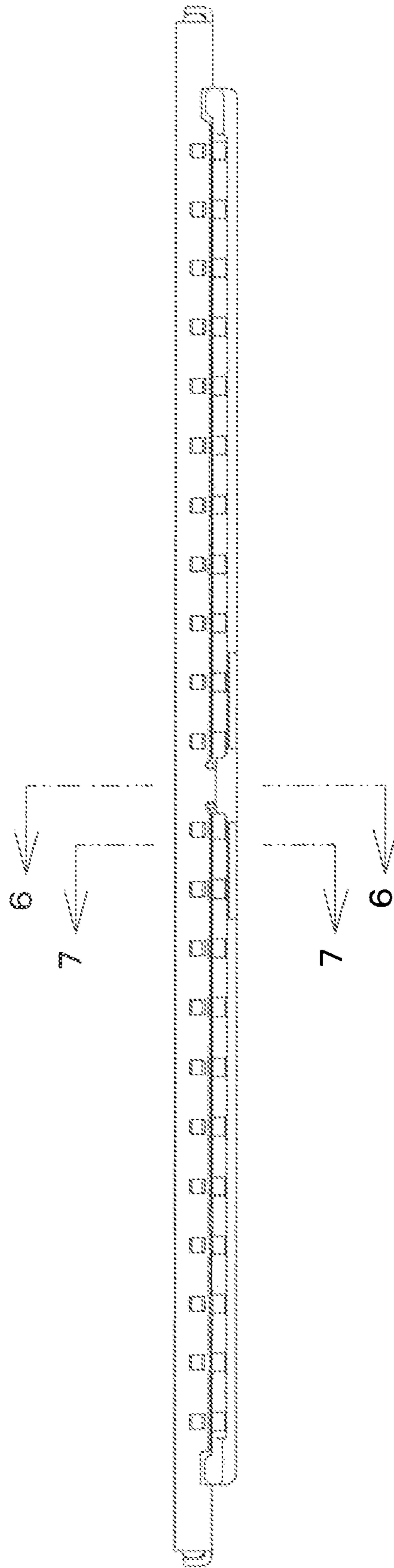


FIG. 13





UNITED STATES PATENT AND TRADEMARK OFFICE  
**CERTIFICATE OF CORRECTION**

PATENT NO. : D617,280 S  
APPLICATION NO. : 29/341868  
DATED : June 8, 2010  
INVENTOR(S) : Kenichi Yotsutani

Page 1 of 9

It is certified that error appears in the above-identified patent and that said Letters Patent is hereby corrected as shown below:

Delete the title page and substitute therefore the attached title page consisting of corrected illustrative figures.

Delete Drawing Sheets 1-7 and substitute therefore the attached Drawing Sheets 1-7.

Signed and Sealed this  
Eighth Day of February, 2011

A handwritten signature in black ink that reads "David J. Kappos". The signature is written in a cursive, slightly slanted style.

David J. Kappos  
*Director of the United States Patent and Trademark Office*

(12) **United States Design Patent**  
**Yotsutani**

(10) **Patent No.:** **US D617,280 S**  
(45) **Date of Patent:** **\*\* Jun. 8, 2010**

(54) **ELECTRIC CONNECTOR**

(75) **Inventor:** **Kenichi Yotsutani, Machida (JP)**

(73) **Assignee:** **I-PEX Co., Ltd., Tokyo (JP)**

(\*\*) **Term:** **14 Years**

(21) **Appl. No.:** **29/341,868**

(22) **Filed:** **Aug. 13, 2009**

(30) **Foreign Application Priority Data**

Feb. 13, 2009 (JP) ..... 2009-002921

(51) **LOC (9) Cl.** ..... **13-03**

(52) **U.S. Cl.** ..... **D13/147**

(58) **Field of Classification Search** ..... **D13/147,**  
**D13/154, 184; 439/73, 79, 83, 160, 181,**  
**439/260, 492-499, 495, 607-610, 637, 660,**  
**439/680**

See application file for complete search history.

(56) **References Cited**

**U.S. PATENT DOCUMENTS**

D482,001 S \* 11/2003 Hisamatsu et al. .... D13/147  
D489,335 S \* 5/2004 Ko ..... D13/147  
7,465,186 B2 \* 12/2008 Yotsutani ..... 439/497  
D597,952 S \* 8/2009 Kikuchi et al. .... D13/147  
D598,862 S \* 8/2009 Chen ..... D13/147  
D608,290 S \* 1/2010 Ikari ..... D13/147

**FOREIGN PATENT DOCUMENTS**

JP 1290087 12/2006

**OTHER PUBLICATIONS**

U.S. Appl. No. 29/341,868, filed Aug. 13, 2009, Yotsutani.  
U.S. Appl. No. 29/341,872, filed Aug. 13, 2009, Yotsutani.

\* cited by examiner

*Primary Examiner*—Daniel D Bui  
(74) *Attorney, Agent, or Firm*—Oblon, Spivak, McClelland,  
Maier & Neustadt, L.L.P.

(57) **CLAIM**

The ornamental design for an electric connector, as shown and described.

**DESCRIPTION**

FIG. 1 is a front view of an electric connector showing my new design;

FIG. 2 is a top view thereof;

FIG. 3 is a rear view thereof;

FIG. 4 is a bottom view thereof;

FIG. 5 is a right side view thereof;

FIG. 6 is a cross-sectional view thereof, on an enlarged scale, taken along line 6—6 in FIG. 1;

FIG. 7 is a cross-sectional view thereof, on an enlarged scale, taken along line 7—7 in FIG. 1;

FIG. 8 is a top, front and right side perspective view thereof;

FIG. 9 is a bottom, front and left side perspective view thereof;

FIG. 10 is a top, front and right side perspective view thereof, in use condition;

FIG. 11 is a bottom, front and left side perspective view thereof, in use condition;

FIG. 12 is an enlarged view of FIG. 1; and,

FIG. 13 is an enlarged view of FIG. 3.  
A left side view of the electric connector is omitted because it is presented symmetric to the right side view of FIG. 5.  
The broken line in the figure drawings is included for the purpose of illustrating environment and forms no part of the claimed design.

1 Claim, 7 Drawing Sheets

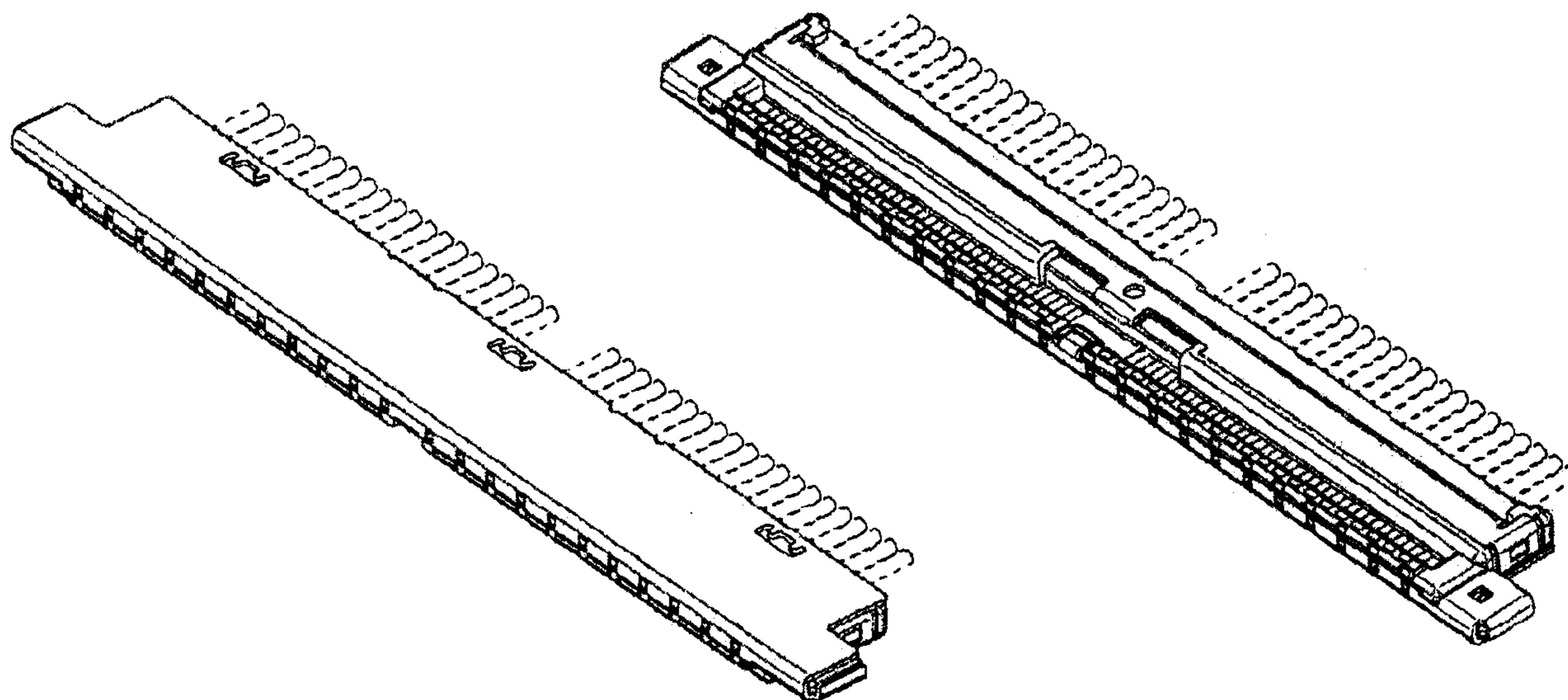


FIG. 1

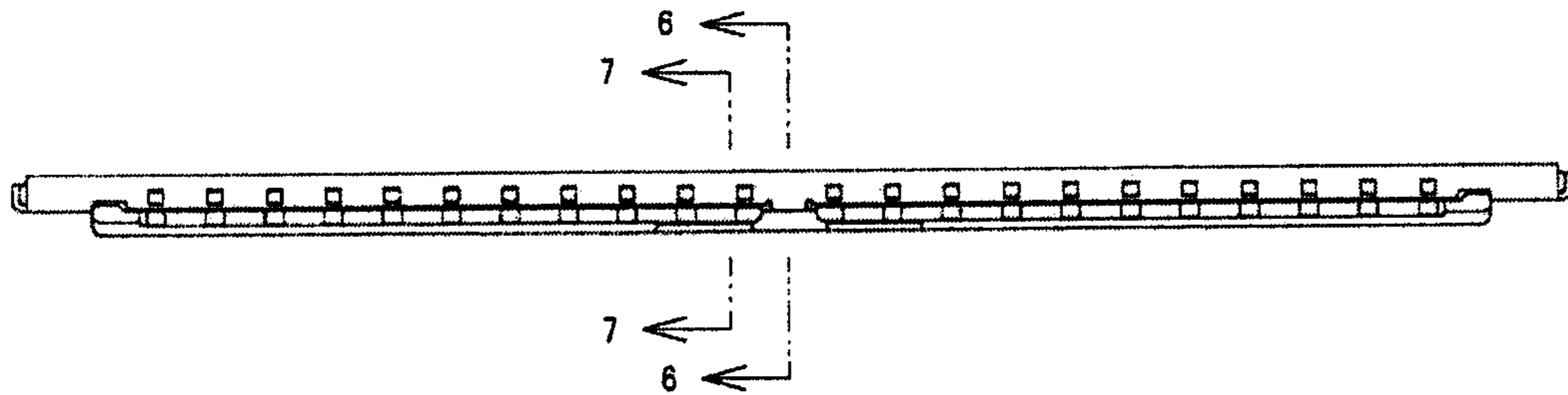


FIG. 2

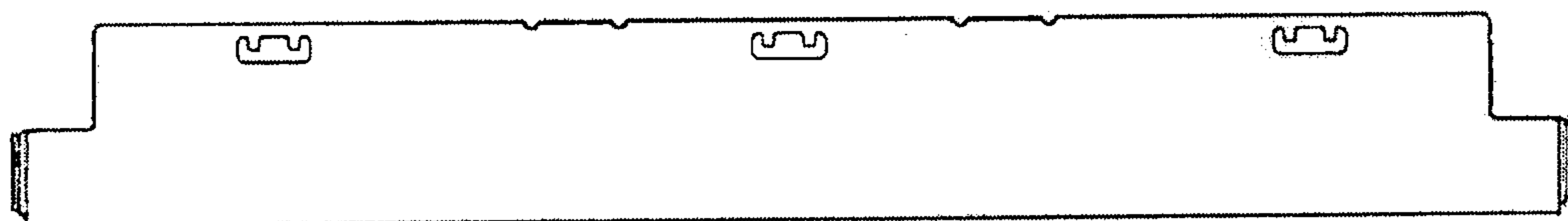


FIG. 3

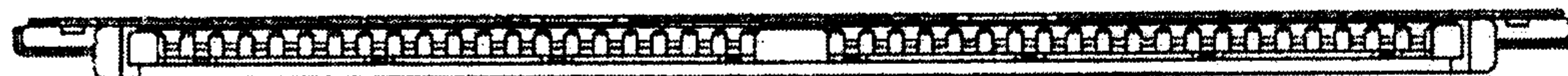


FIG. 4

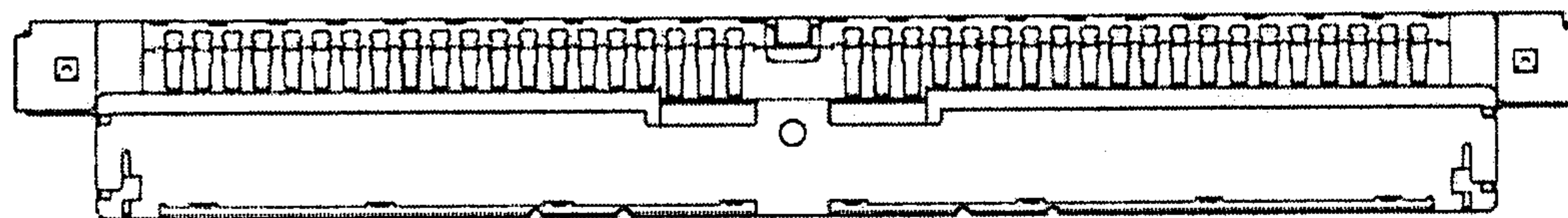


FIG. 5



FIG. 6

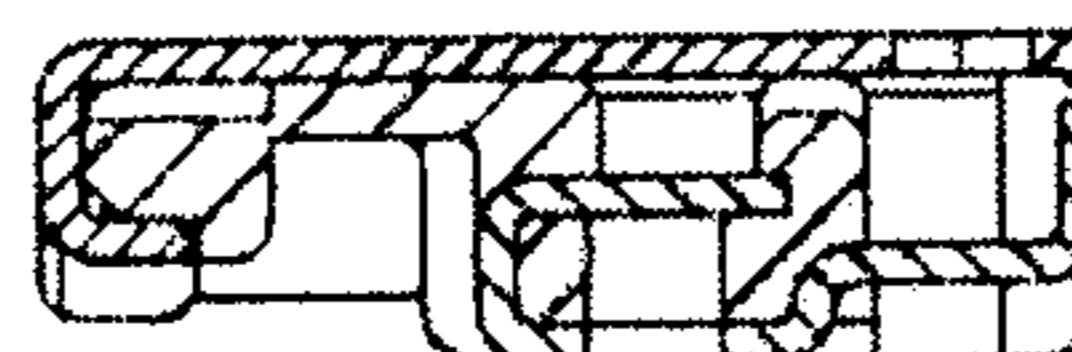


FIG. 7

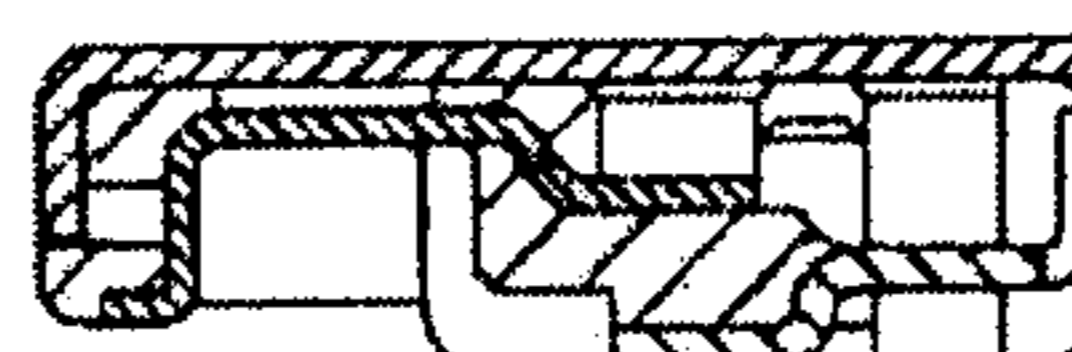


FIG. 8

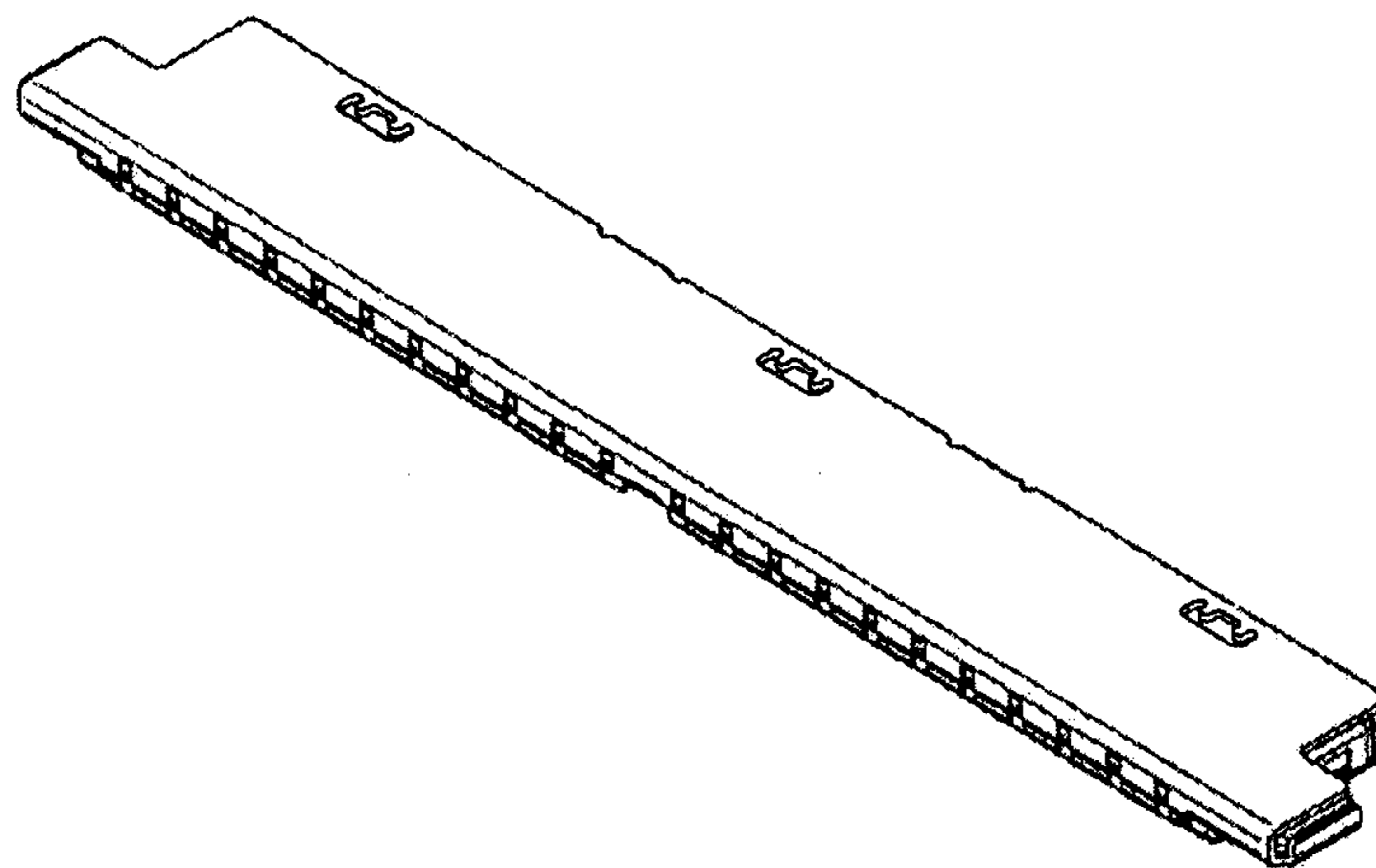


FIG. 9

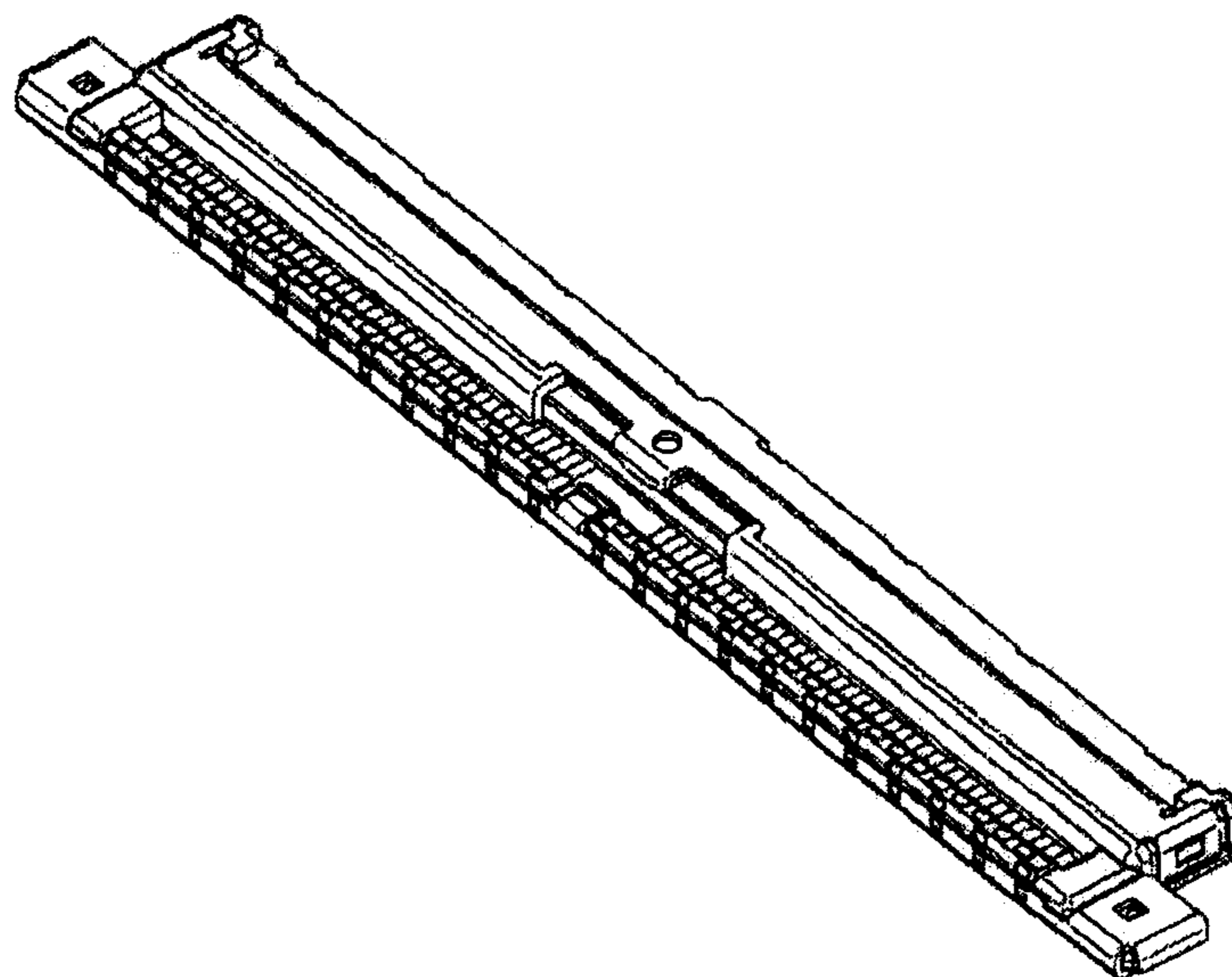


FIG. 10

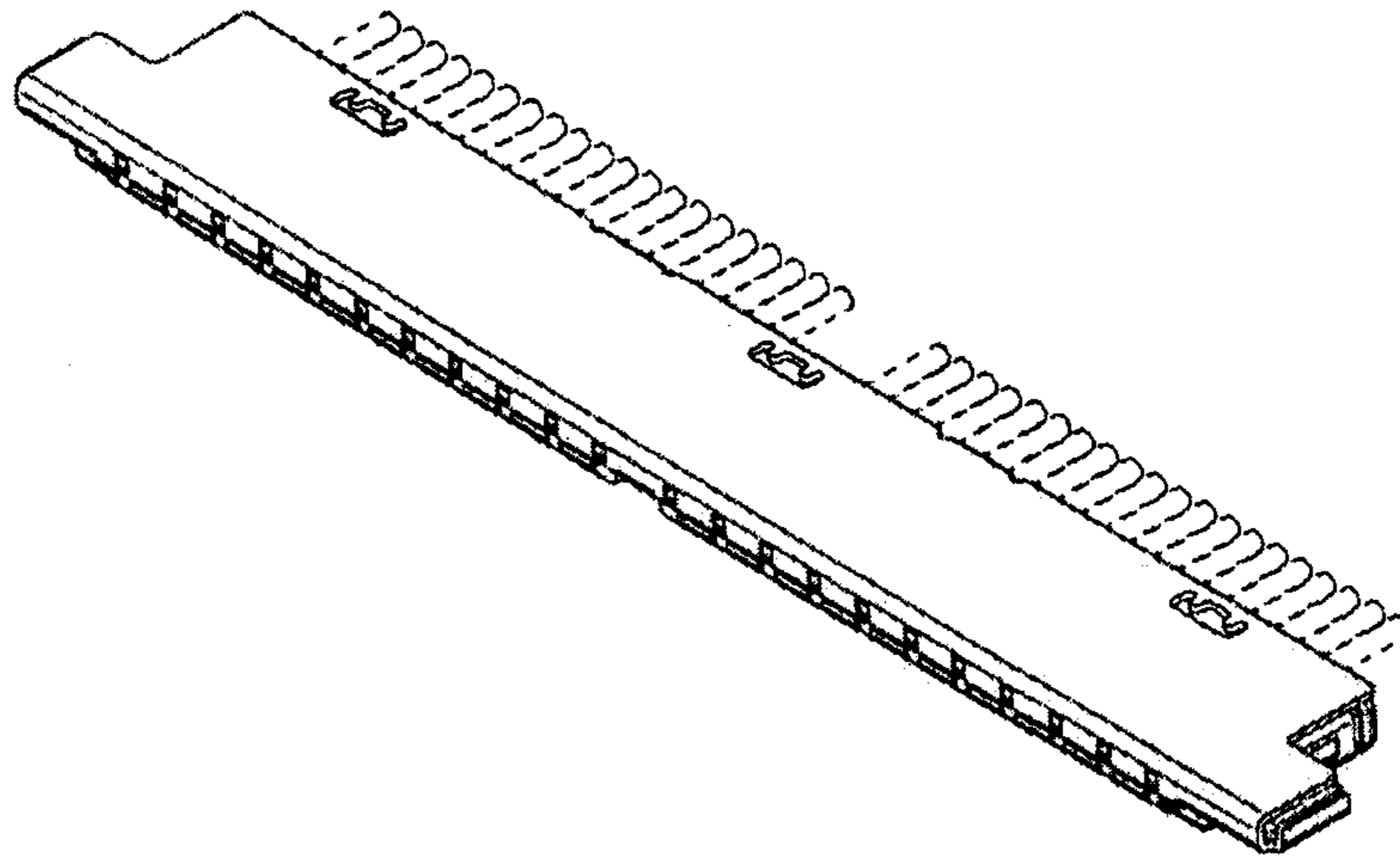


FIG. 11

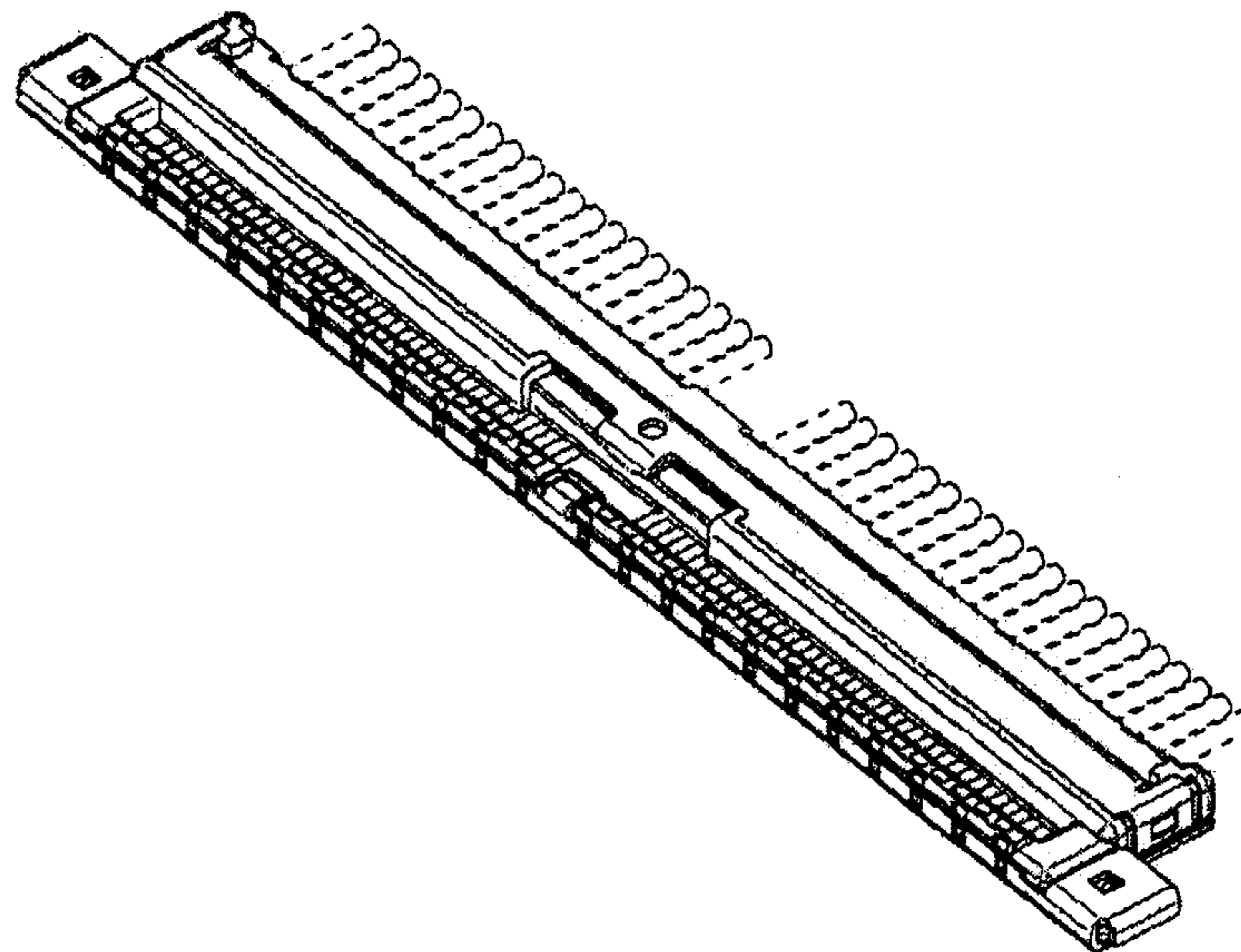


FIG. 12

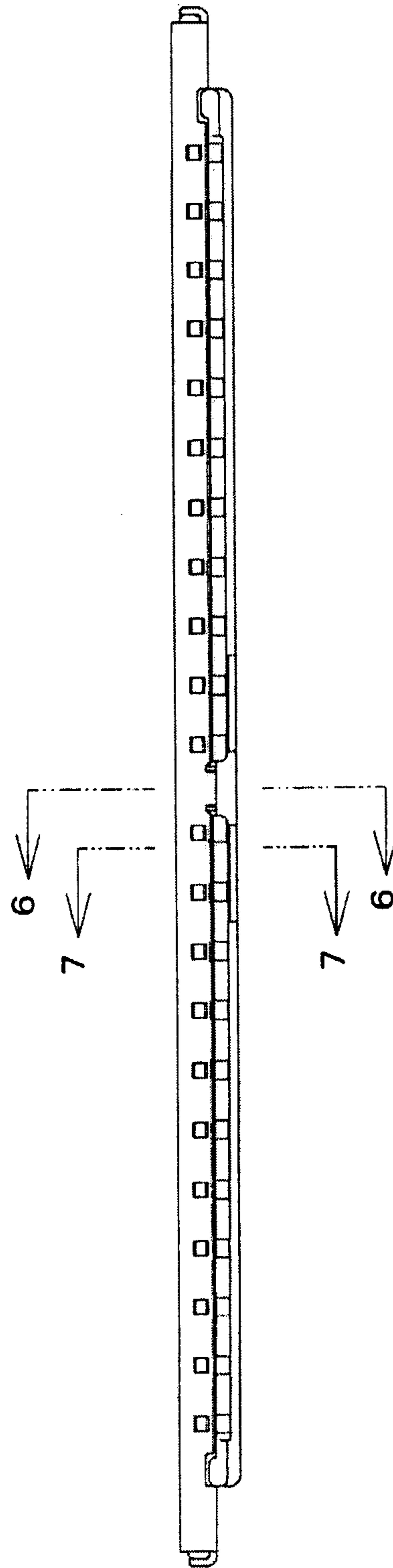




FIG. 13

