



US00D617276S

(12) **United States Design Patent**
Fahrendorff et al.

(10) **Patent No.:** **US D617,276 S**
(45) **Date of Patent:** **** *Jun. 8, 2010**

(54) **PLUG**

(75) Inventors: **Anders Fahrendorff**, Ottawa (CA);
Todd Andrew Wood, Guelph (CA); **Ian James Murchison**, Ottawa (CA); **Dustin Jonathan Smith**, Kitchener (CA)

(73) Assignee: **Research In Motion Limited**, Waterloo (CA)

(*) Notice: This patent is subject to a terminal disclaimer.

(**) Term: **14 Years**

(21) Appl. No.: **29/339,347**

(22) Filed: **Jun. 29, 2009**

(51) **LOC (9) Cl.** **13-03**

(52) **U.S. Cl.** **D13/138.1**

(58) **Field of Classification Search** D13/138.1,
D13/138.2, 139.1, 139.2, 139.3, 139.4, 139.5,
D13/139.6, 139.7, 139.8, 137.1, 137.2, 137.3,
D13/137.4, 133, 107, 108, 110, 123, 146,
D13/147, 149, 151, 154; D14/240, 256,
D14/217, 433; 174/494, 67, 202, 206, 53,
174/59; 439/35, 222, 249, 919, 909, 171,
439/518, 956, 105, 53, 63, 106, 136, 149,
439/266, 300, 373, 654, 660, 907; 320/111,
320/114; 363/146

See application file for complete search history.

(56) **References Cited**

U.S. PATENT DOCUMENTS

D308,044 S * 5/1990 Chandler D13/110
D382,854 S * 8/1997 Muller et al. D13/137.2
D436,078 S * 1/2001 Korte D13/134
6,247,941 B1 * 6/2001 Lee et al. 439/105

D449,030 S * 10/2001 Baxter et al. D13/110
6,328,581 B1 * 12/2001 Lee et al. 439/106
D461,165 S * 8/2002 Eyman D13/137.1
6,544,051 B1 * 4/2003 Su 439/131
D526,272 S * 8/2006 Sade et al. D13/108
7,273,293 B2 * 9/2007 Dalton et al. 362/183
D587,192 S * 2/2009 McGinley et al. D13/110
D591,233 S * 4/2009 Kagami et al. D13/108
2002/0154528 A1 * 10/2002 Ravid 363/146
2005/0269987 A1 * 12/2005 Lin 320/115
2007/0046257 A1 * 3/2007 Inoue et al. 320/111
2009/0029581 A1 * 1/2009 Klant et al. 439/222

OTHER PUBLICATIONS

Rim BlackBerry charger adapter clips, http://reviews.cnet.com/cell-phone-and-smart/rim-blackberry-charger-adapter/4505-6448_7-32400609.html, Apr. 5, 2007, viewed on Dec. 9, 2009.*

* cited by examiner

Primary Examiner—Jennifer Rivard

Assistant Examiner—Angela J Lee

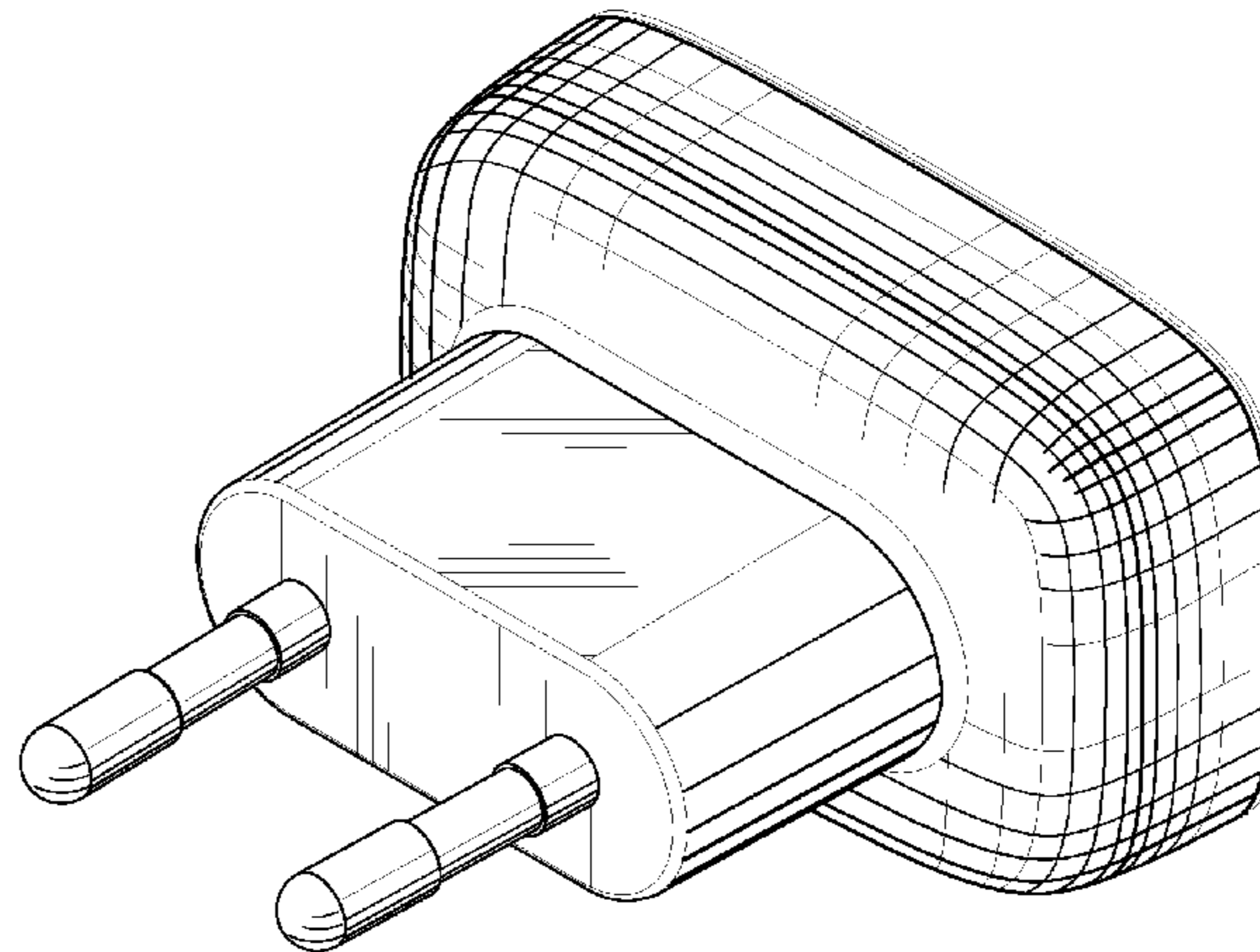
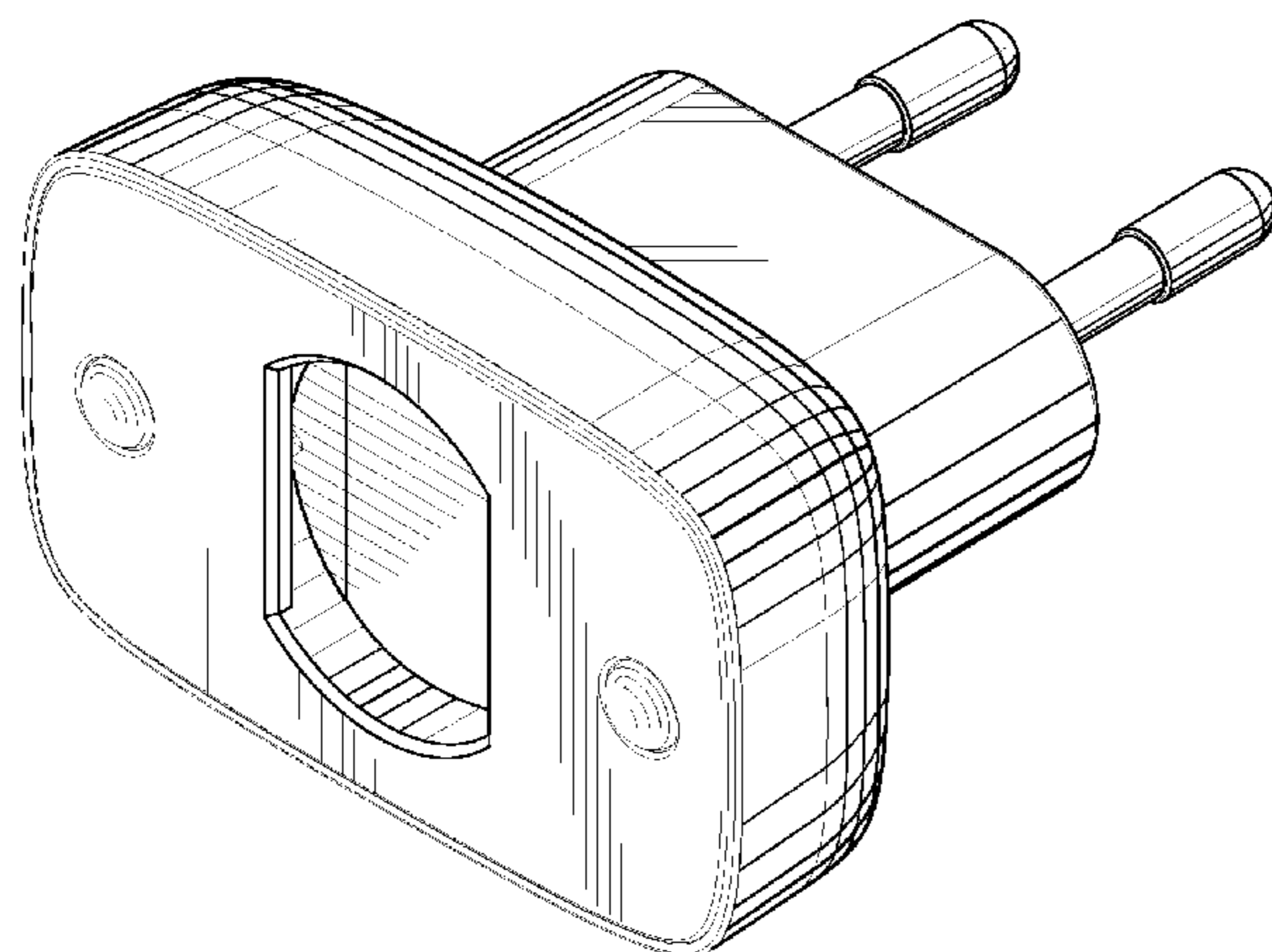
(57) **CLAIM**

We claim the ornamental design for a plug, as shown and described.

DESCRIPTION

FIG. 1 is a front perspective view of a plug;
FIG. 2 is a back perspective view of the plug;
FIG. 3 is a top plan view thereof;
FIG. 4 is a bottom plan view thereof;
FIG. 5 is a left elevational view thereof;
FIG. 6 is a right elevational view thereof;
FIG. 7 is a back plan view thereof; and,
FIG. 8 is a front plan view thereof

1 Claim, 5 Drawing Sheets



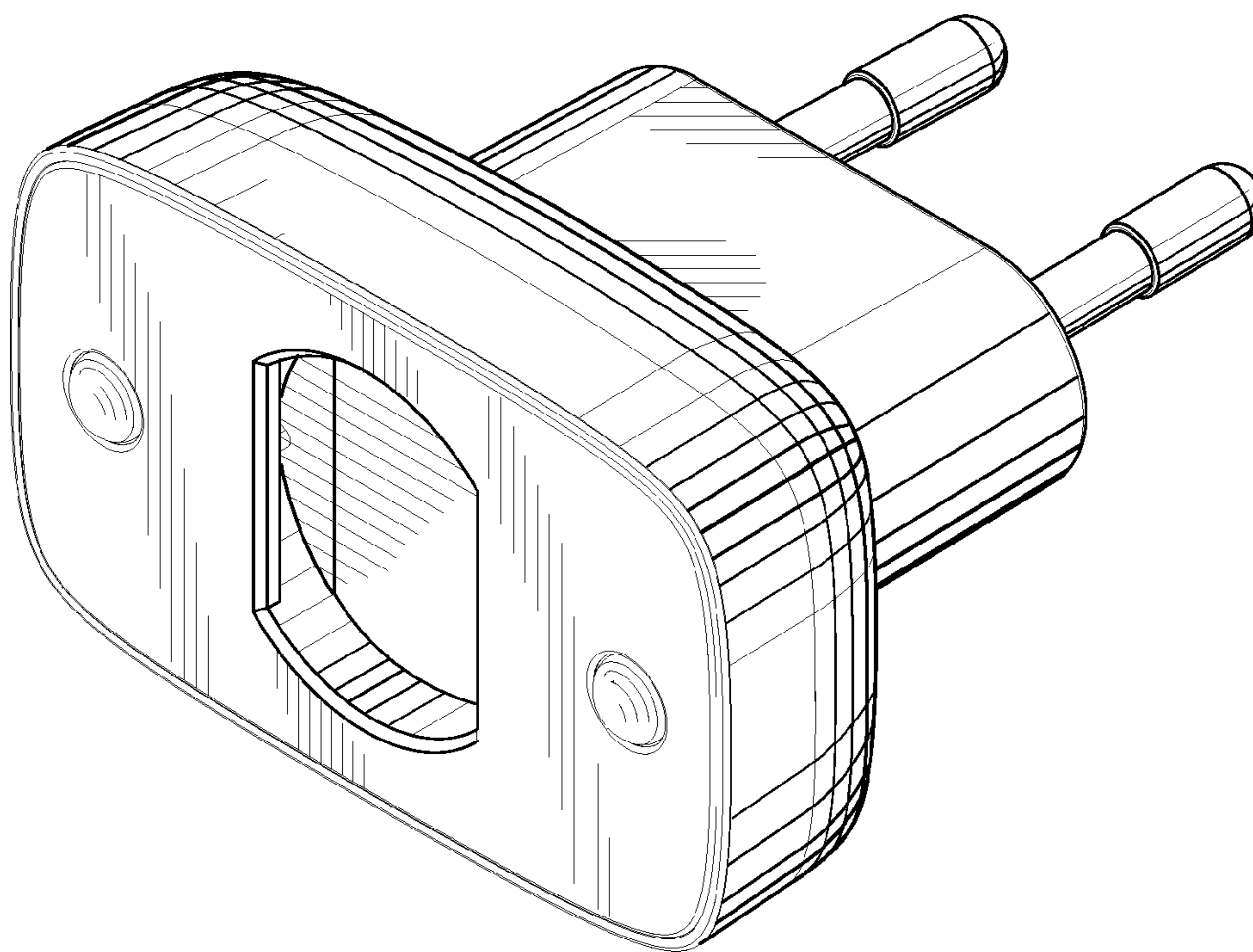


FIG.1

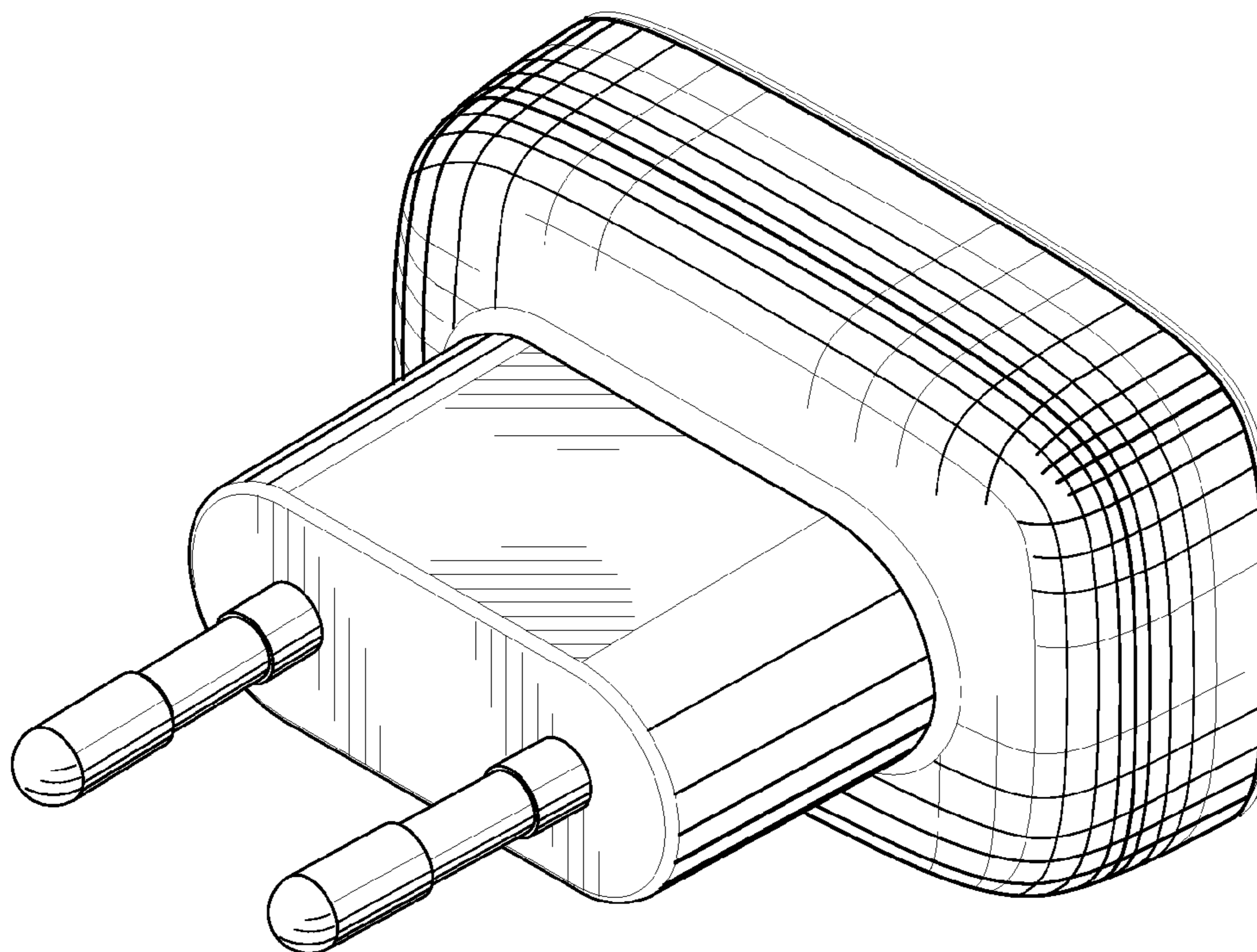


FIG.2

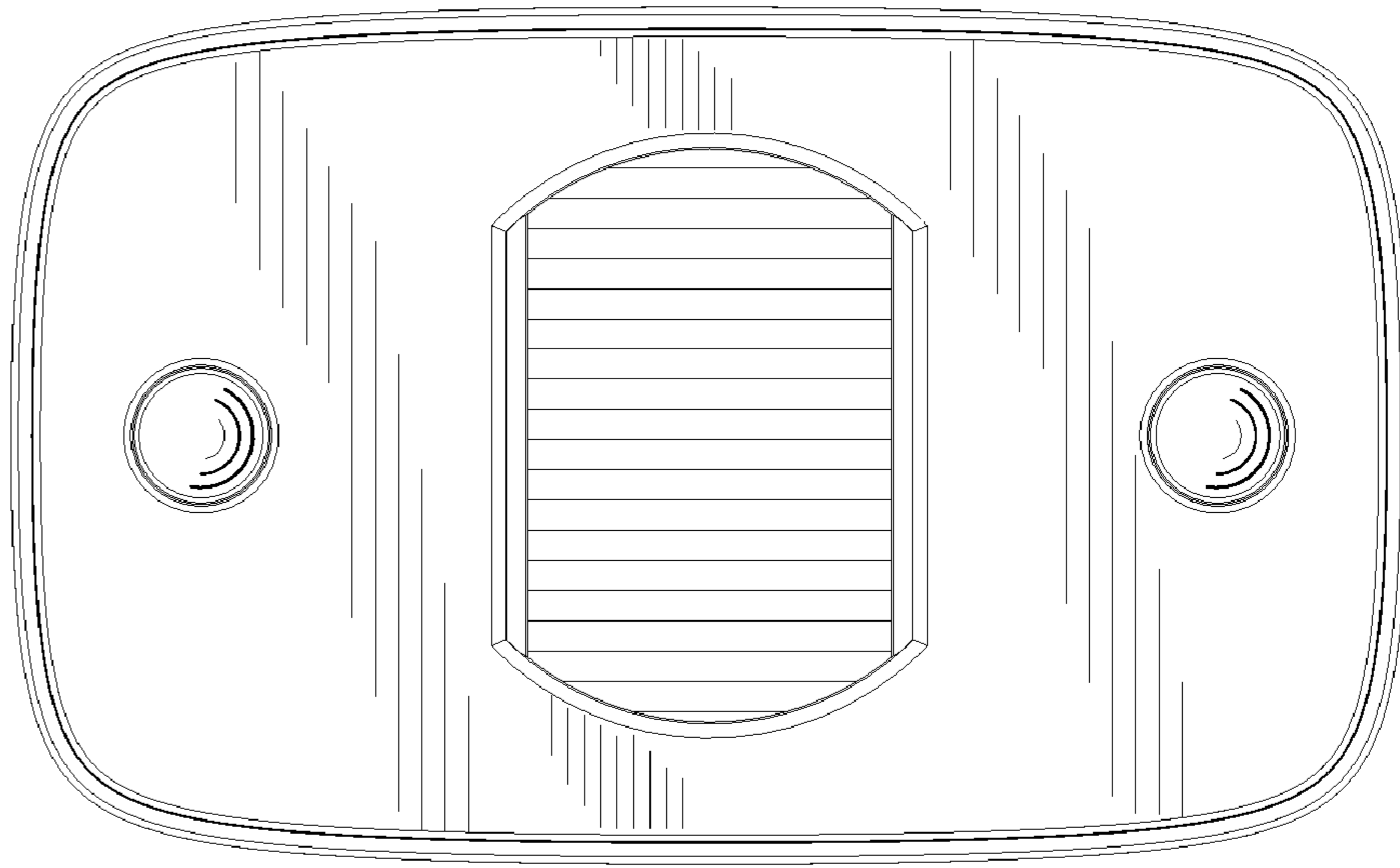


FIG.3

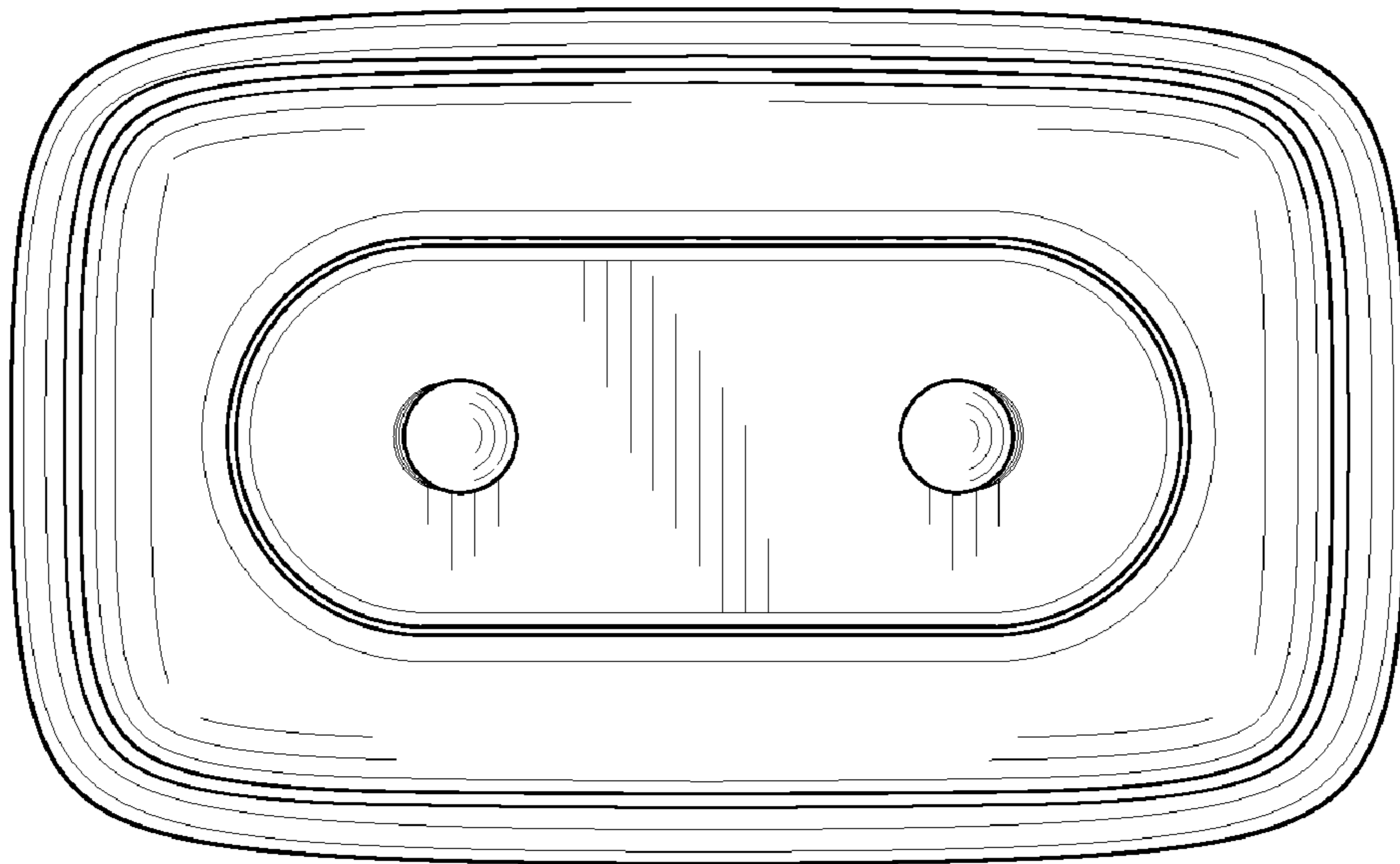


FIG.4

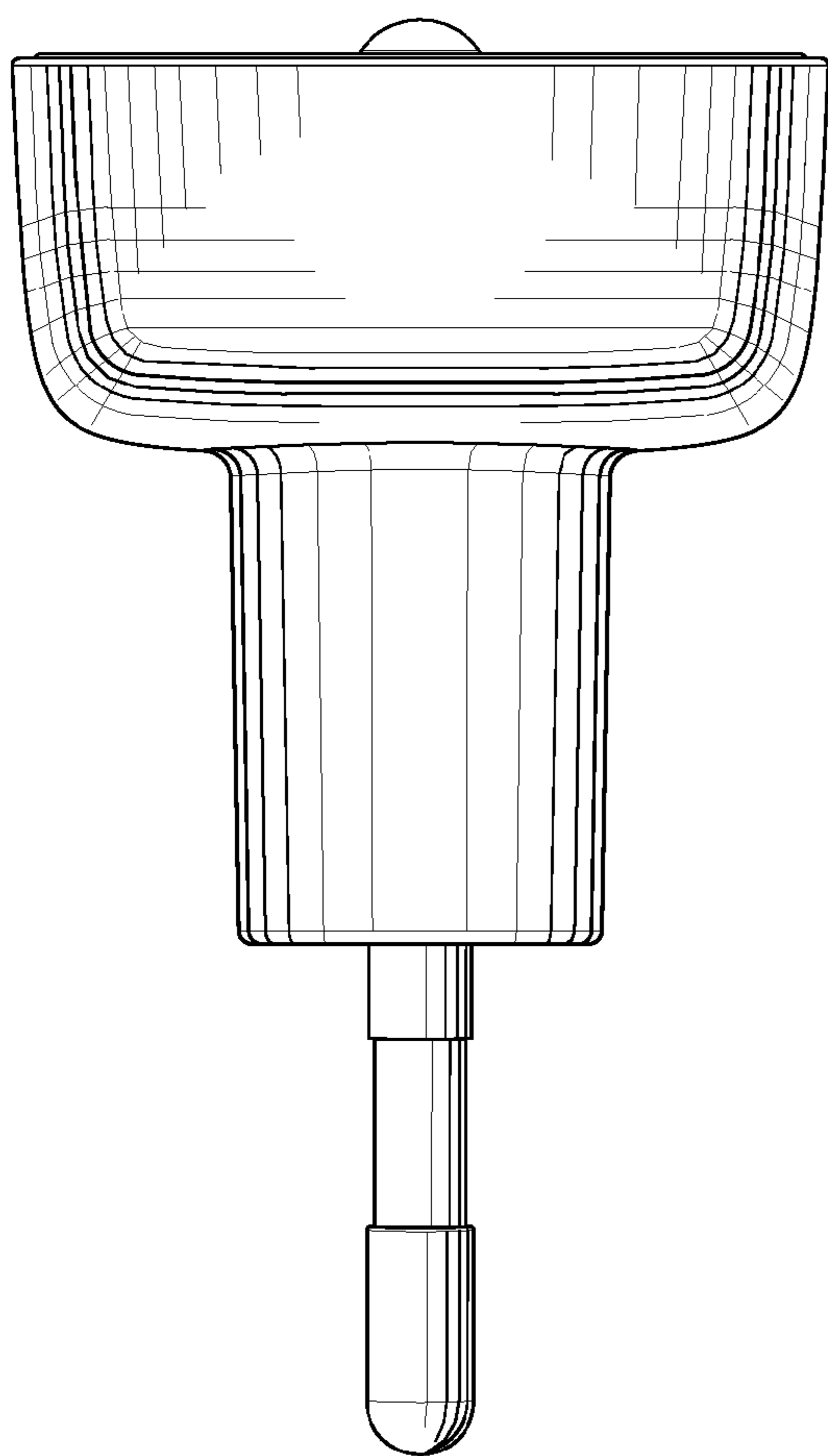


FIG.5

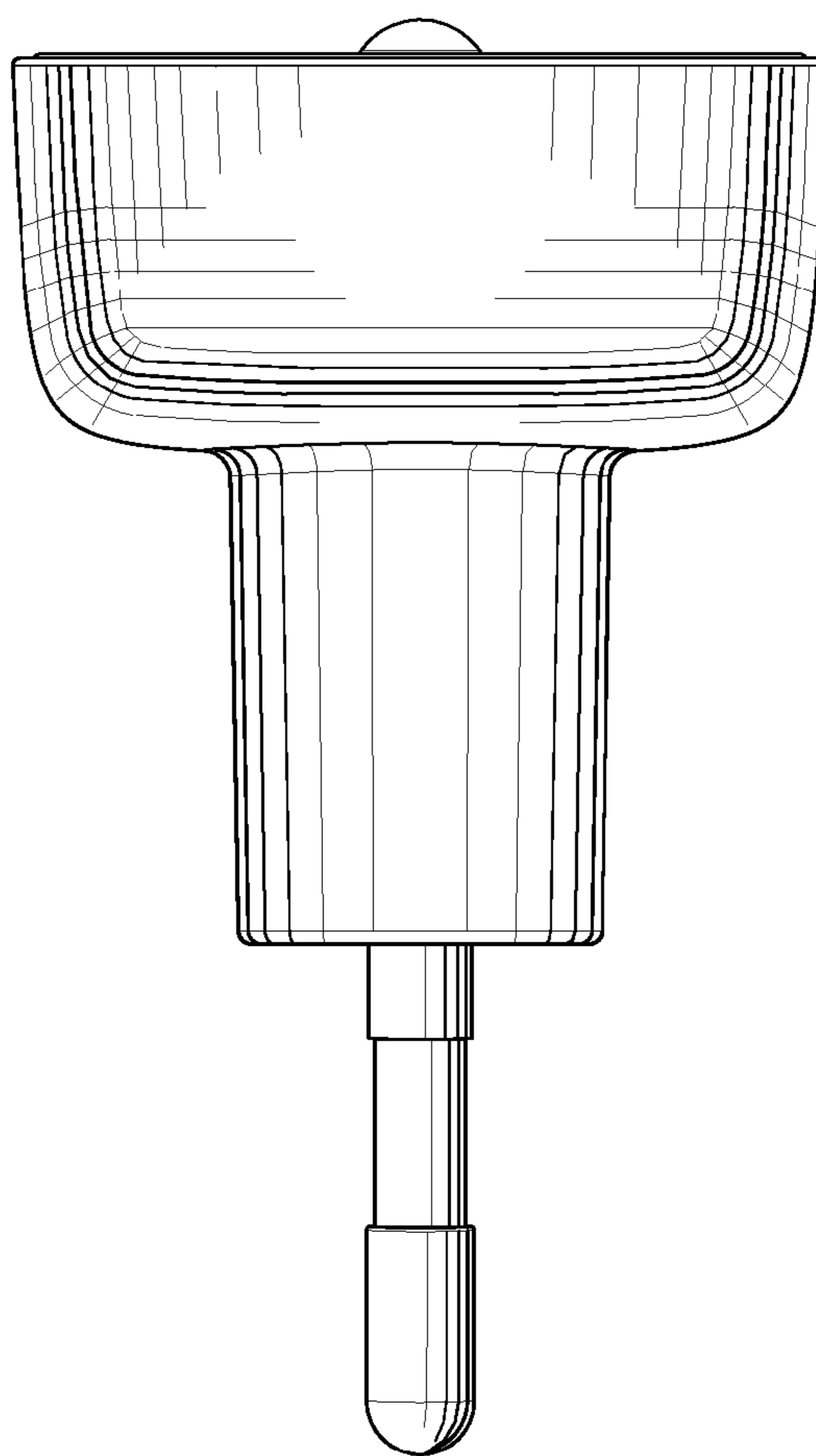


FIG.6

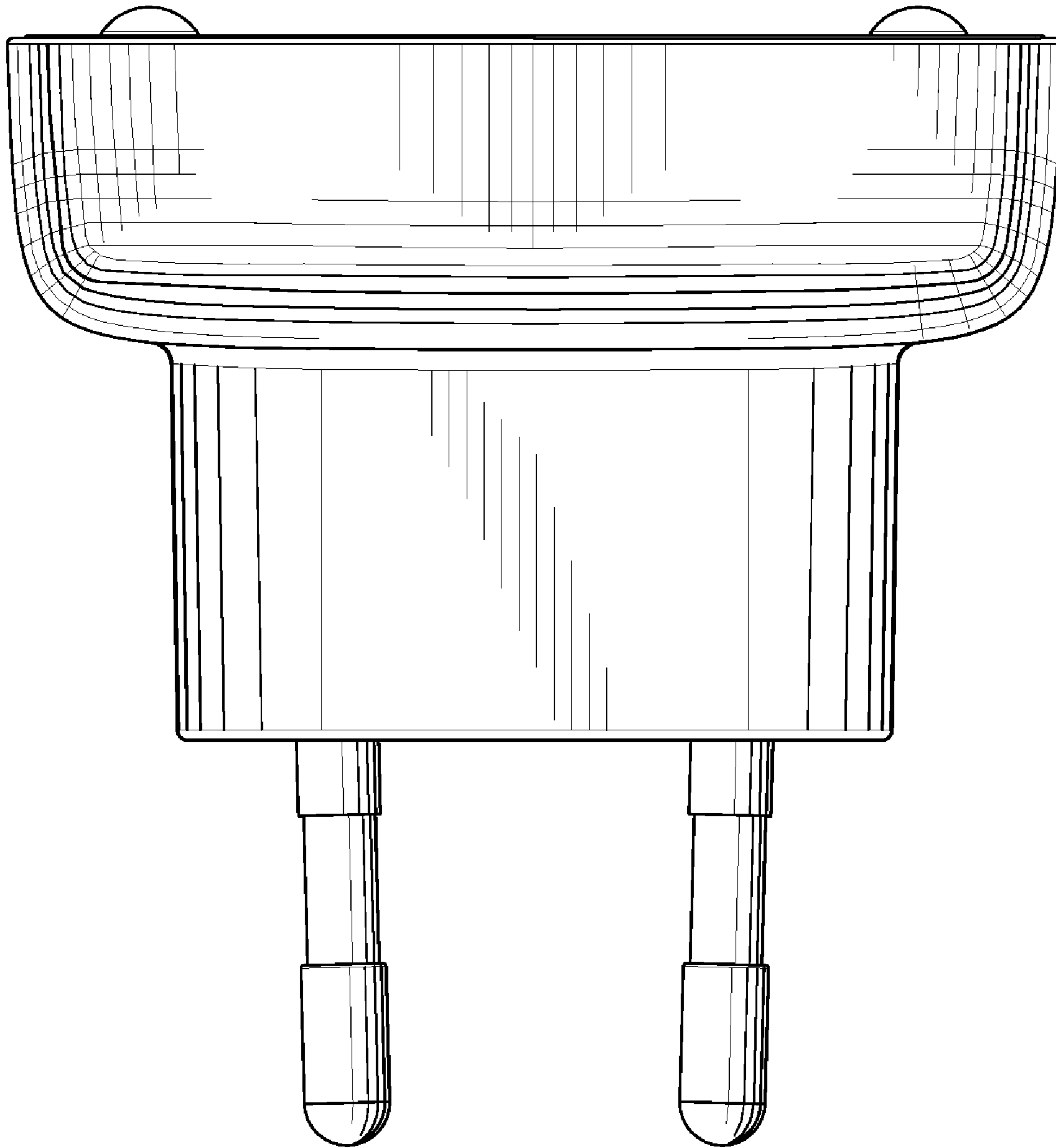


FIG.7

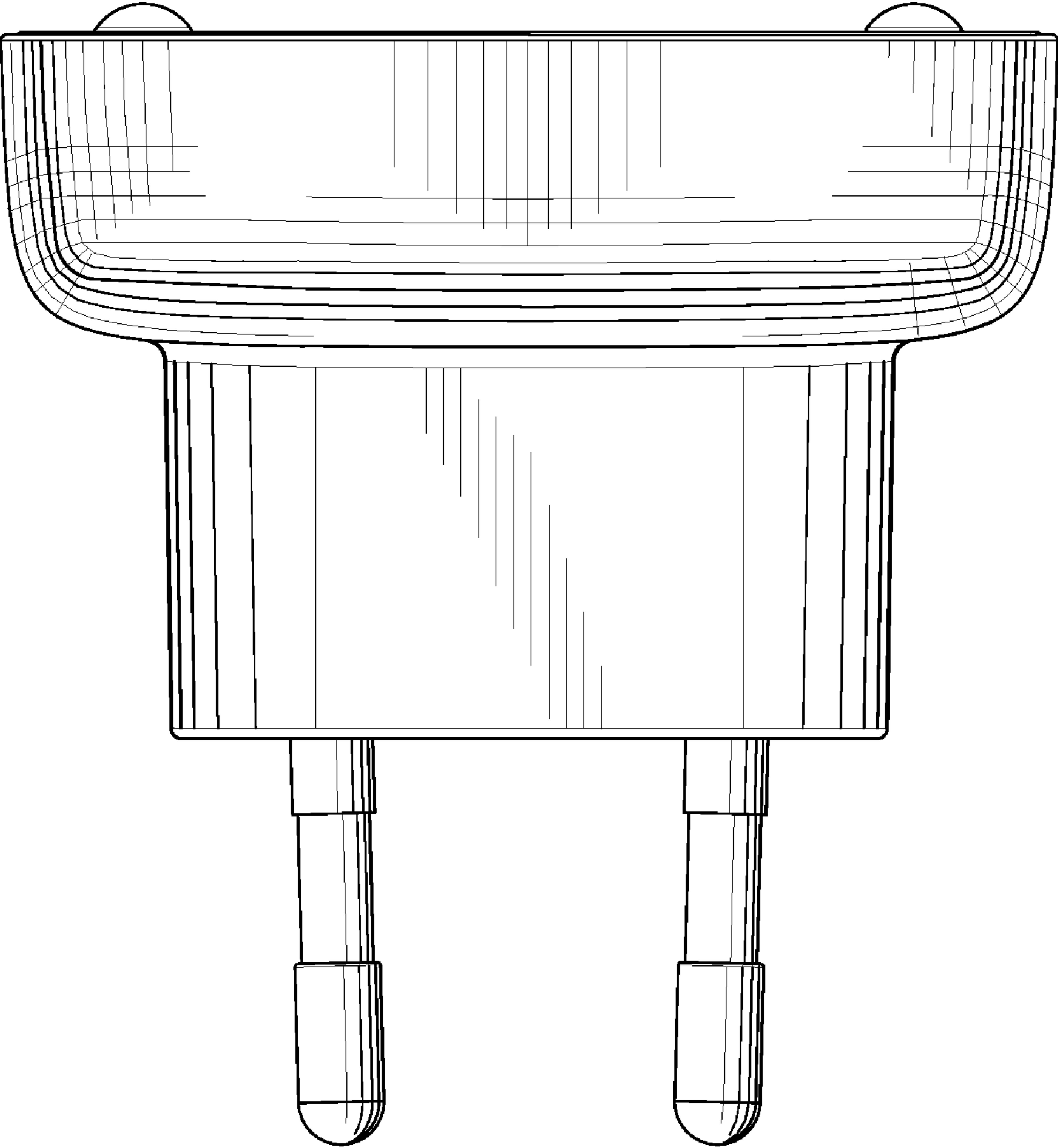


FIG.8