



US00D617274S

(12) **United States Design Patent**
Caplan

(10) **Patent No.:** **US D617,274 S**
(45) **Date of Patent:** **** Jun. 8, 2010**

(54) **MULTIPLE SOCKET PLUG**

(76) **Inventor:** **Gregory Caplan**, 77 Parliament Hill,
London, NW3 2TH (GB)

(**) **Term:** **14 Years**

(21) **Appl. No.:** **29/346,832**

(22) **Filed:** **Nov. 6, 2009**

(30) **Foreign Application Priority Data**

May 7, 2009 (EM) 001506874-0001

(51) **LOC (9) Cl.** **13-03**

(52) **U.S. Cl.** **D13/137.2**

(58) **Field of Classification Search** .. D13/137.1-139.8,
D13/133, 184, 199; D14/433; 174/53-58,
174/66; 439/105-107, 535, 650-655, 692
See application file for complete search history.

(56) **References Cited**

U.S. PATENT DOCUMENTS

D251,293 S * 3/1979 Trueblood D13/137.2
D284,758 S 7/1986 Maloney
5,779,499 A 7/1998 Sette et al.
D406,562 S * 3/1999 Al-Sabah D13/137.2
6,329,616 B1 12/2001 Lee

D461,774 S 8/2002 Genicevitch
D472,520 S 4/2003 Genicevitch
6,750,410 B2 6/2004 Lee
D495,657 S * 9/2004 Lee D13/137.2
D591,239 S * 4/2009 Caplan D13/137.2

* cited by examiner

Primary Examiner—Rosemary K Tarcza

(74) *Attorney, Agent, or Firm*—Lowe Hauptman Ham &
Berner, LLP

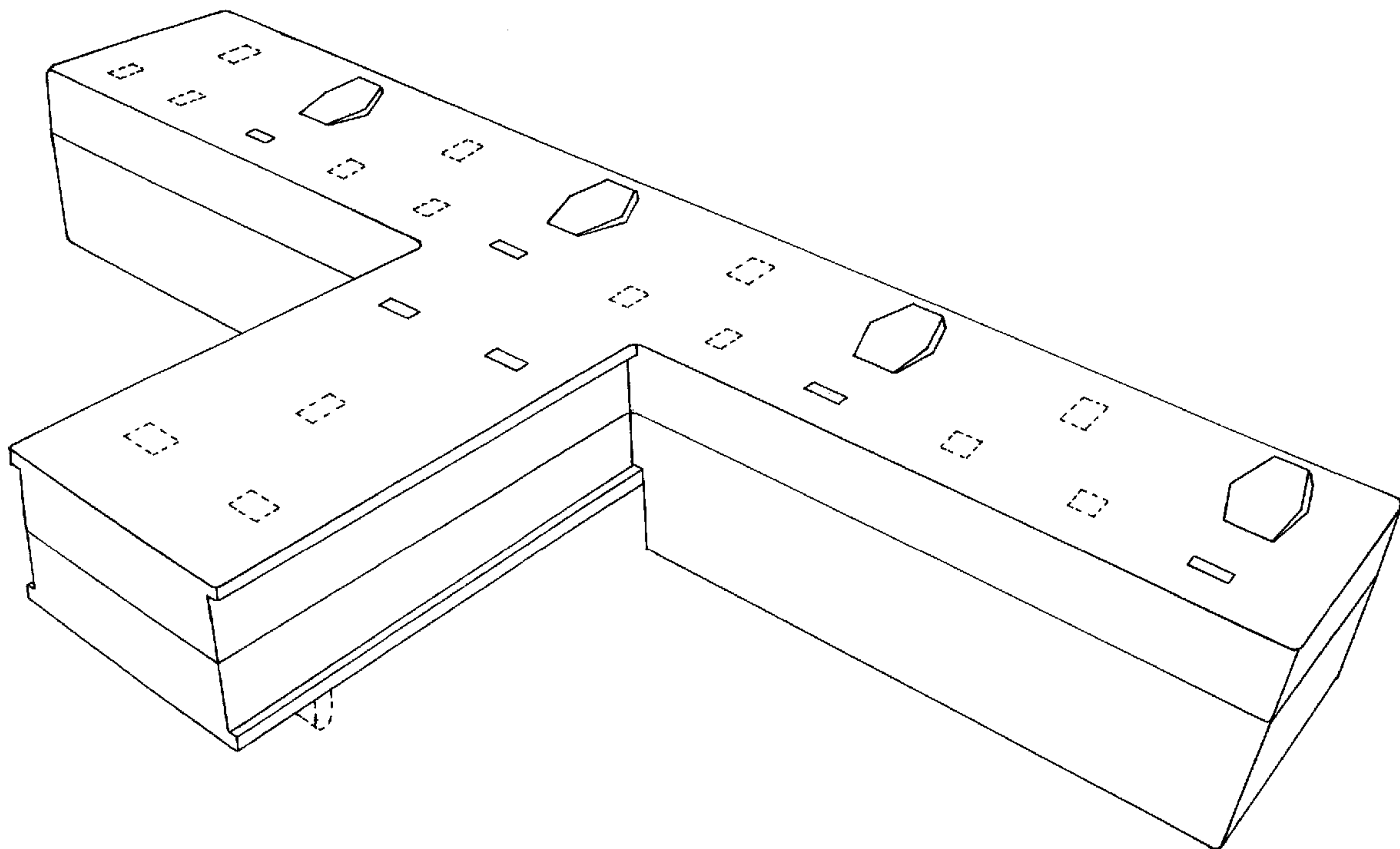
(57) **CLAIM**

The ornamental design for a multiple socket plug, as shown
and described.

DESCRIPTION

FIG. 1 is a perspective view of the multiple socket plug;
FIG. 2 is a right side view of the multiple socket plug;
FIG. 3 is a top view of the multiple socket plug;
FIG. 4 is a bottom view of the multiple socket plug;
FIG. 5 is a front view of the multiple socket plug;
FIG. 6 is a rear view of the multiple socket plug; and,
FIG. 7 is a left side view of the multiple socket plug.

1 Claim, 7 Drawing Sheets



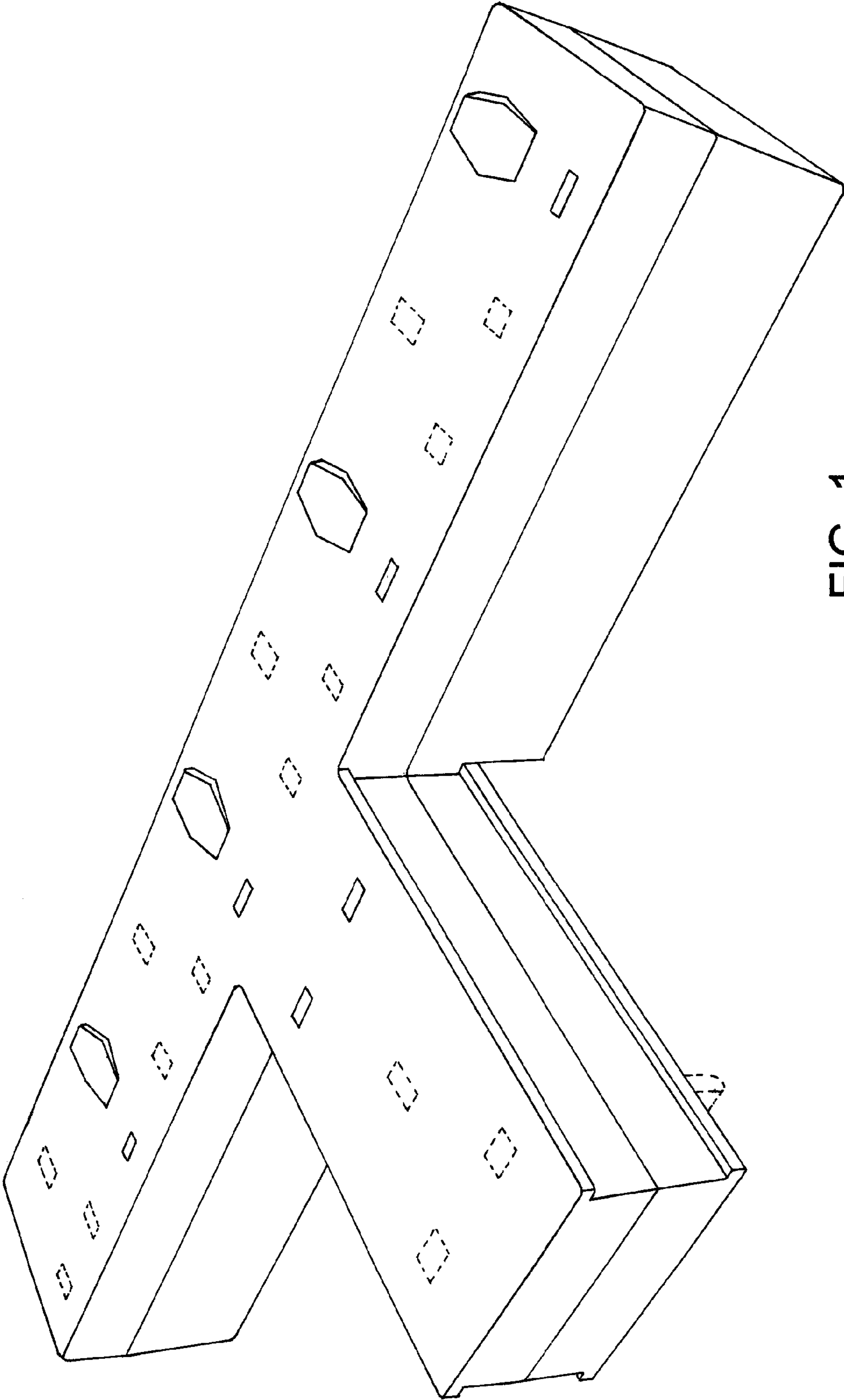


FIG. 1

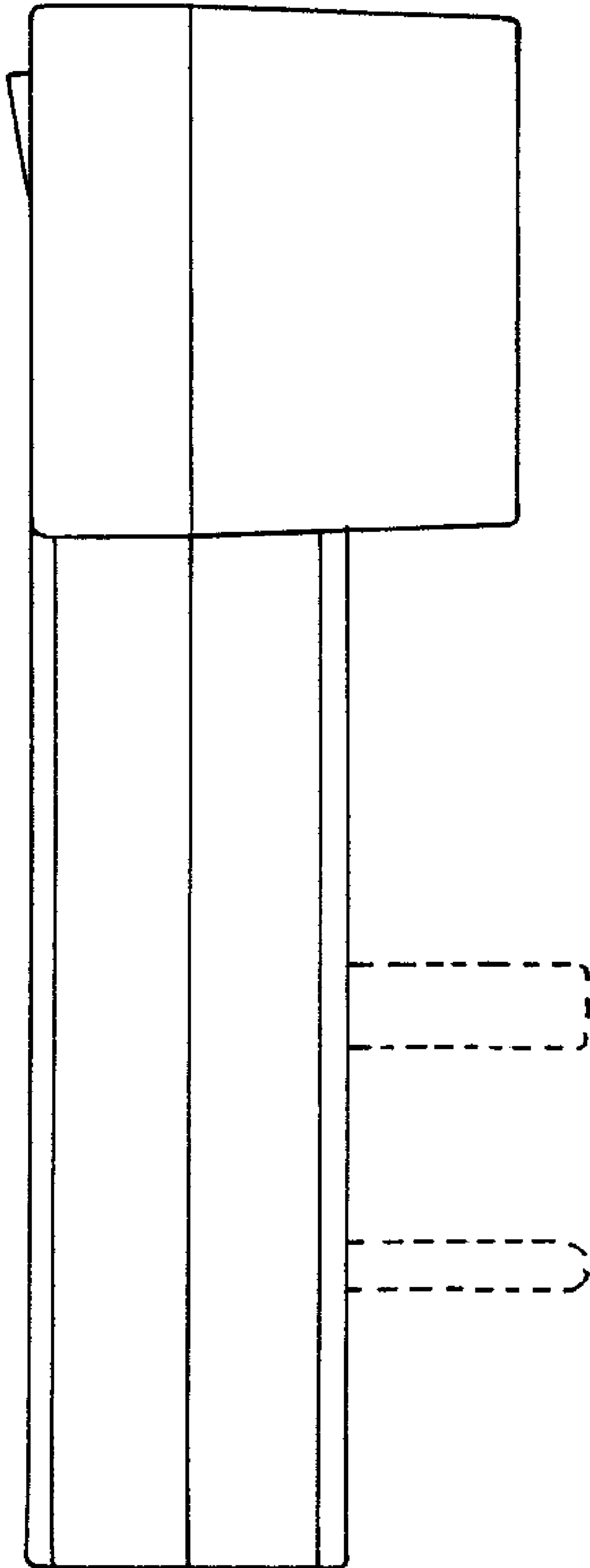


FIG. 2

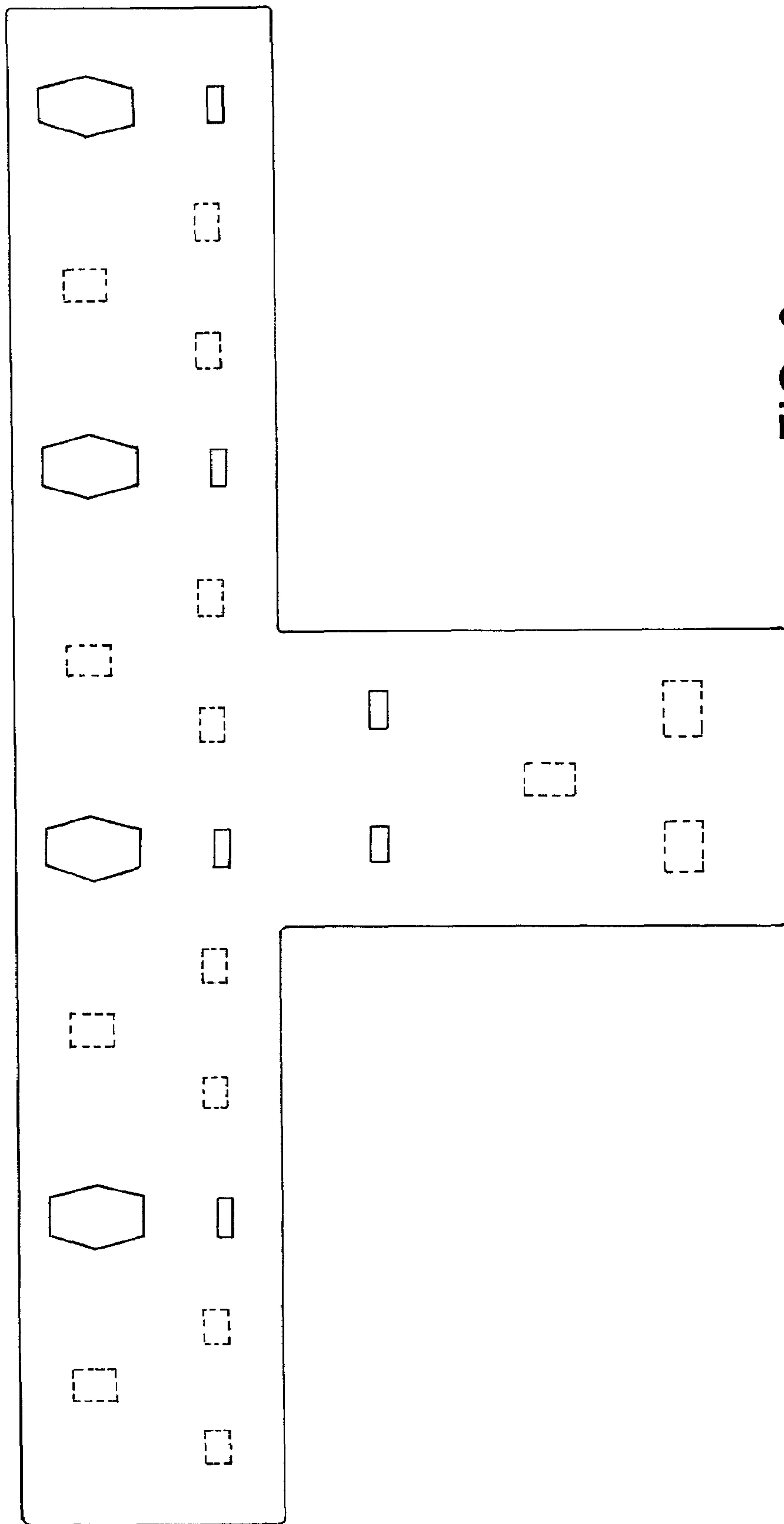


FIG. 3

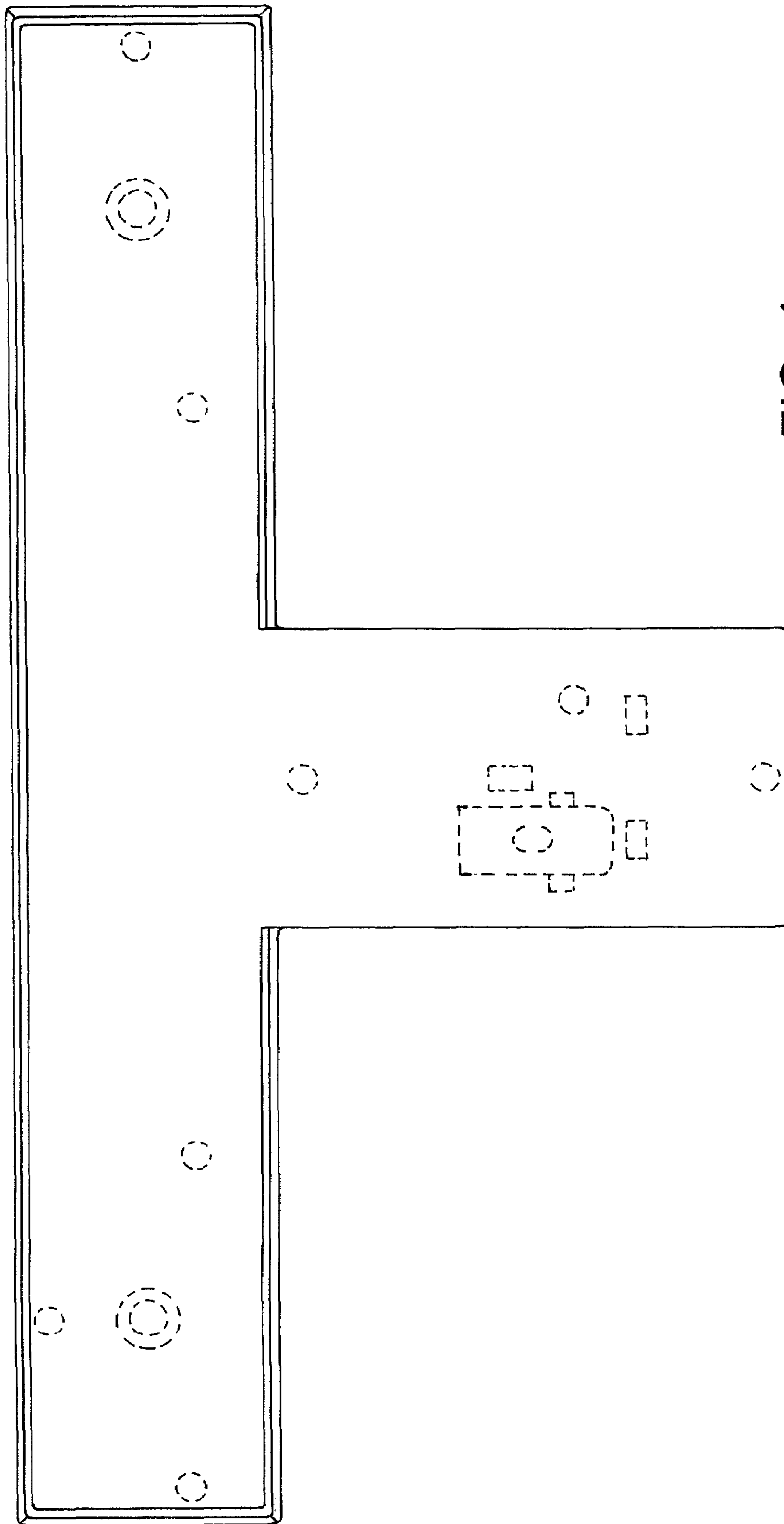


FIG. 4

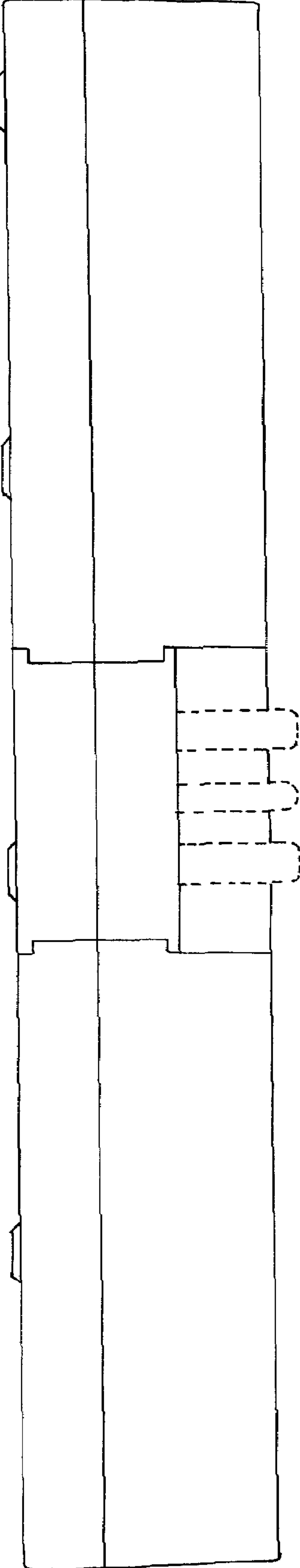


FIG. 5

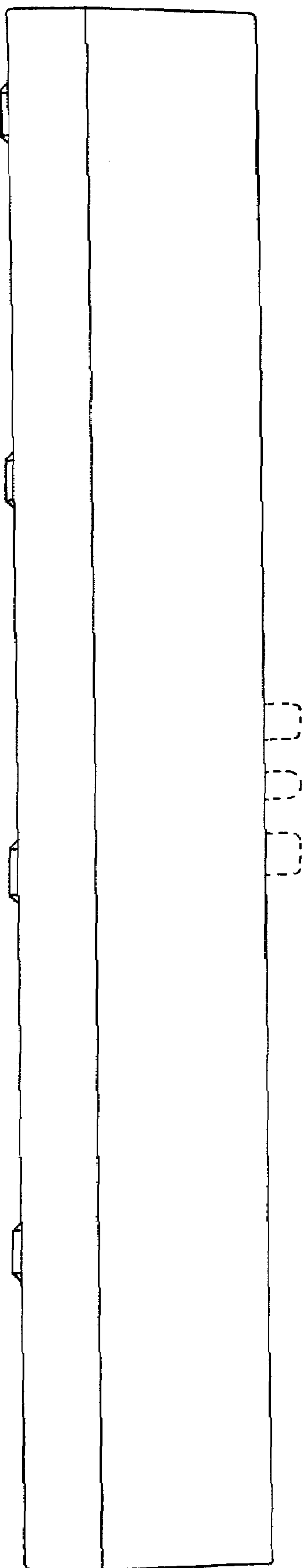


FIG. 6

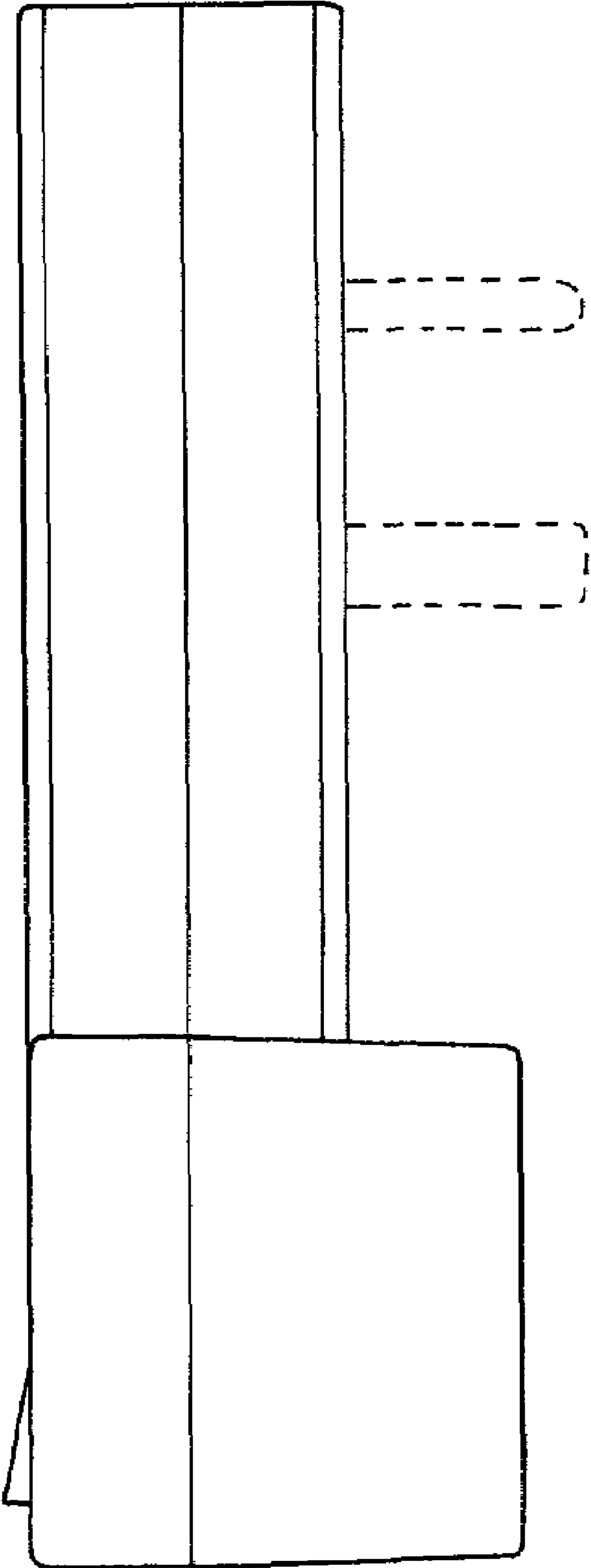


FIG. 7