



US00D617271S

(12) **United States Design Patent**
Chiang

(10) **Patent No.:** **US D617,271 S**
(45) **Date of Patent:** **** Jun. 8, 2010**

(54) **RECEPTACLE CONNECTOR**

D604,249 S * 11/2009 Mancini D13/147

(75) Inventor: **Shu Man Chiang**, Tu-Cheng (TW)

* cited by examiner

(73) Assignee: **Cheng Uei Precision Industry Co., Ltd.**, Taipei Hsien (TW)

Primary Examiner—Daniel D Bui
Assistant Examiner—Thomas J Johannes
(74) *Attorney, Agent, or Firm*—Rosenberg, Klein & Lee

(**) Term: **14 Years**

(57) **CLAIM**

(21) Appl. No.: **29/311,534**

The ornamental design for a receptacle connector, as shown and described.

(22) Filed: **Apr. 15, 2009**

(51) **LOC (9) Cl.** **13-03**

(52) **U.S. Cl.** **D13/133**

(58) **Field of Classification Search** D13/133,
D13/146, 147, 154, 184, 199; 439/278, 607,
439/660, 668, 669, 892, 894
See application file for complete search history.

DESCRIPTION

FIG. 1 is a perspective view of a receptacle connector showing my new design;
FIG. 2 is a front elevational view thereof;
FIG. 3 is a rear elevational view thereof;
FIG. 4 is a left side elevational view thereof;
FIG. 5 is a right side elevational view thereof;
FIG. 6 is a top plan view thereof;
FIG. 7 is a bottom plan view thereof; and,
FIG. 8 is another perspective view of the receptacle connector showing my new design.

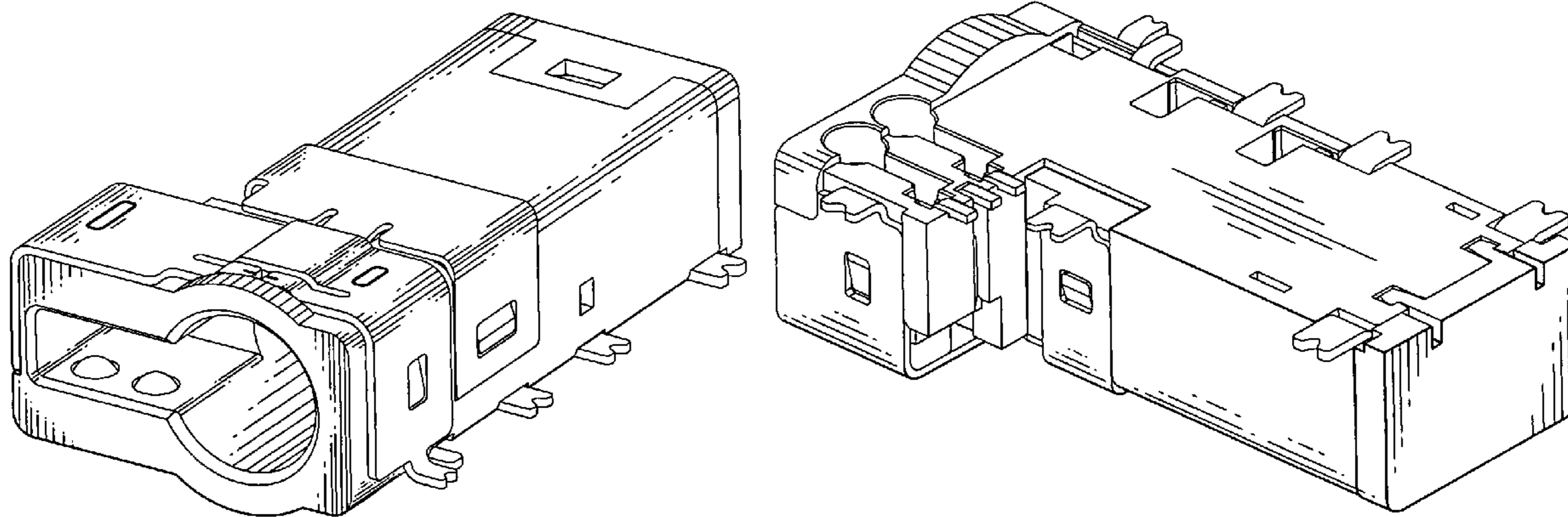
The broken lines in the Figures are for illustrative purposes and form no part of the claimed designs.

(56) **References Cited**

U.S. PATENT DOCUMENTS

D351,587 S	*	10/1994	Puchammer	D13/133
D414,463 S	*	9/1999	Wu	D13/133
D431,528 S	*	10/2000	Zhu et al.	D13/133
D533,504 S	*	12/2006	Lee	D13/133
D552,032 S	*	10/2007	Peng	D13/133
D575,232 S	*	8/2008	Chiang et al.	D13/133
D576,101 S	*	9/2008	Wu et al.	D13/133

1 Claim, 8 Drawing Sheets



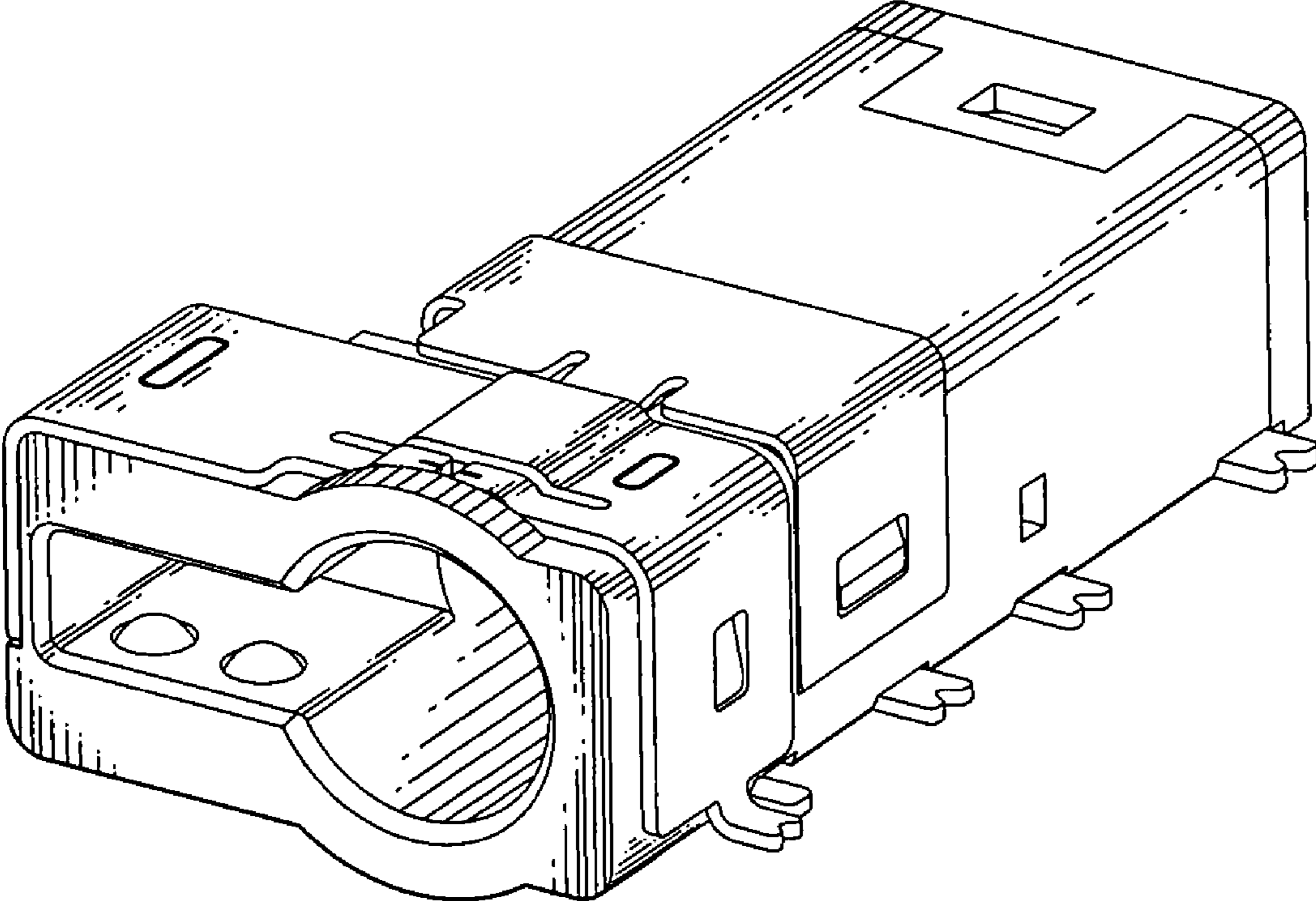


FIG. 1

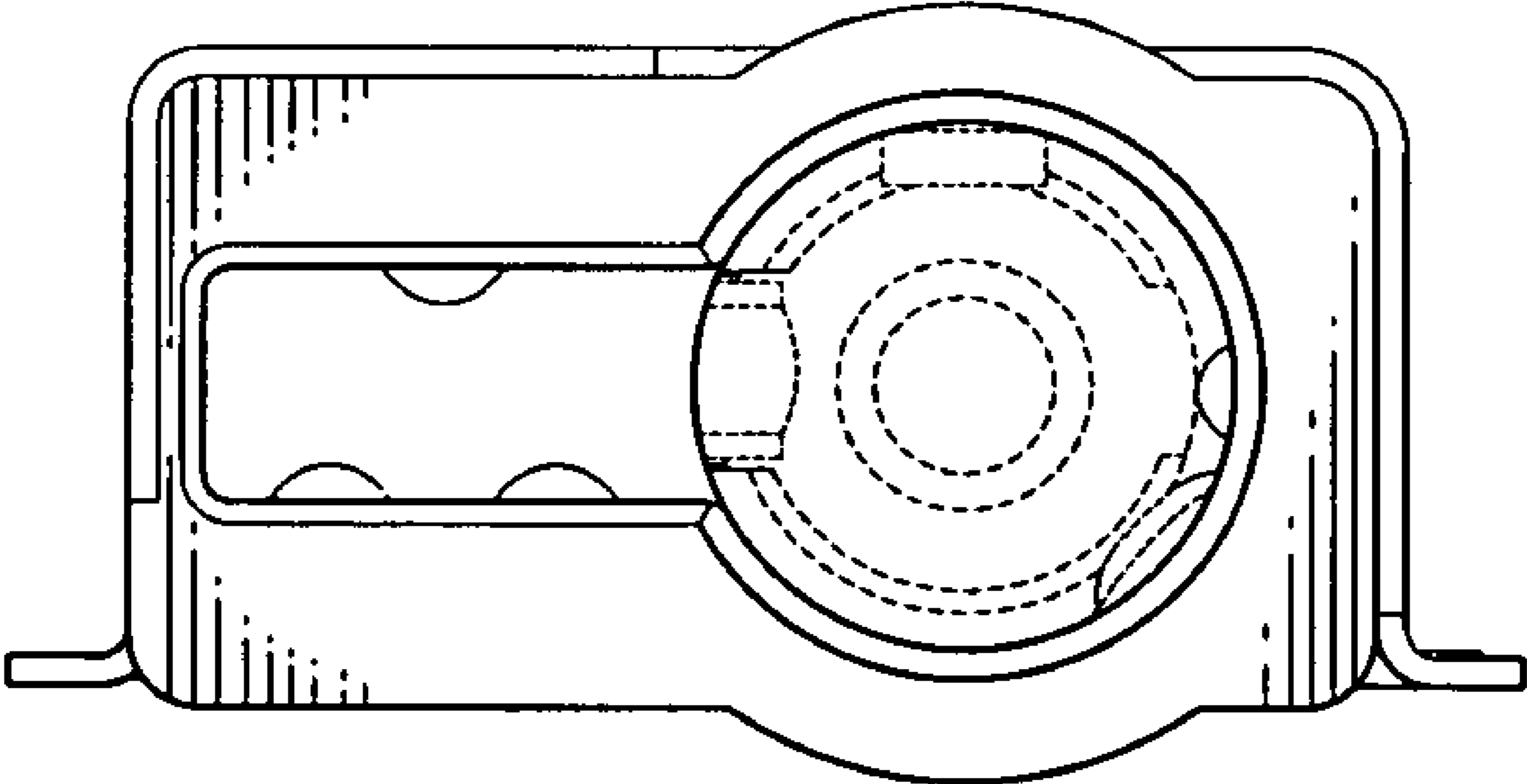


FIG. 2

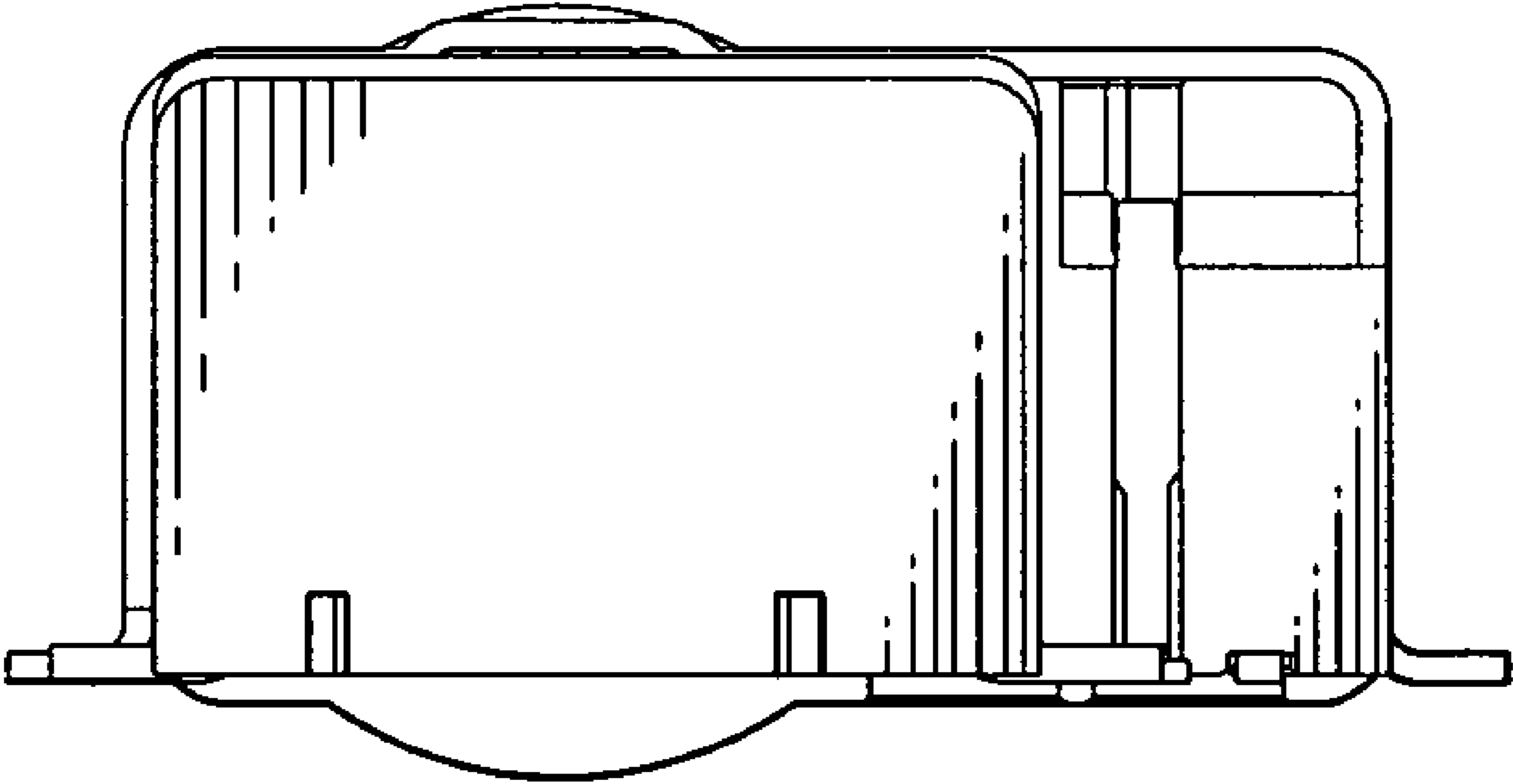


FIG. 3

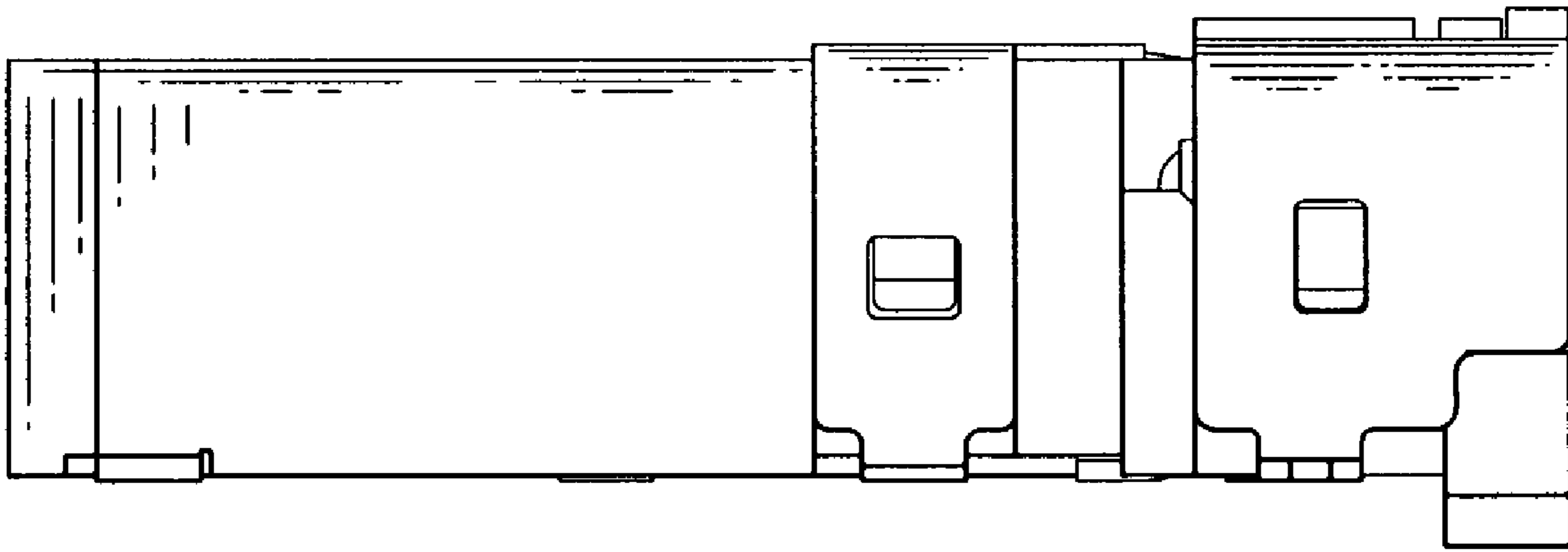


FIG. 4

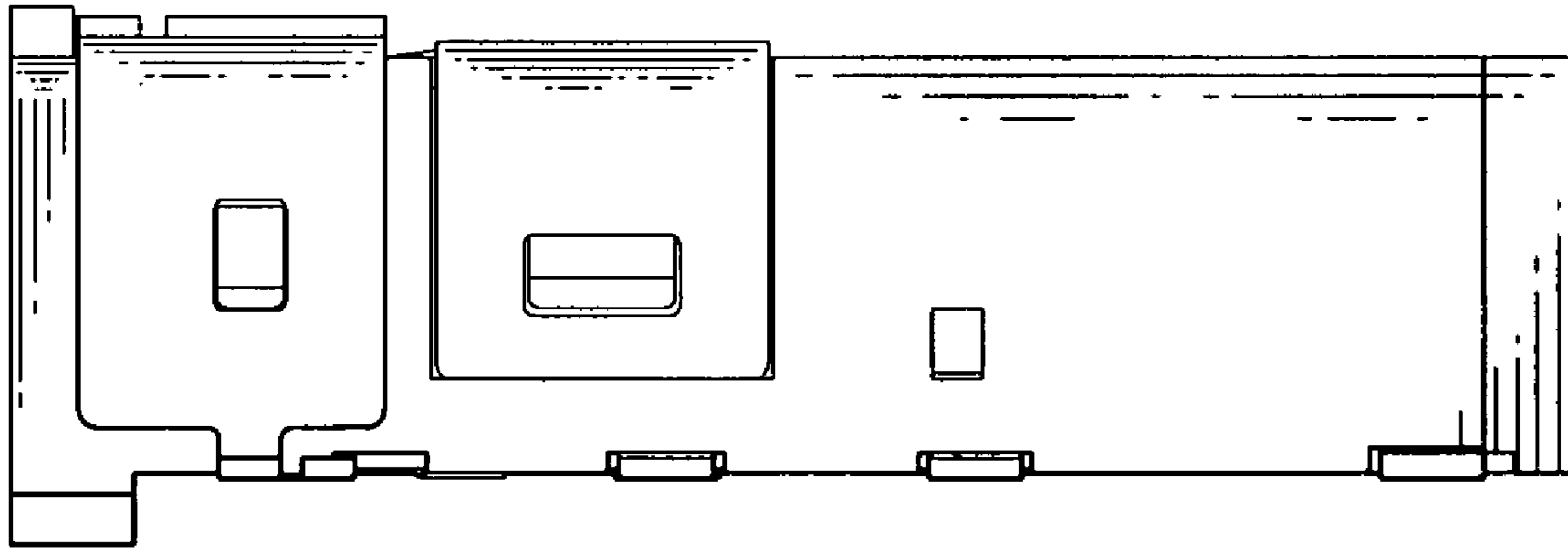


FIG. 5

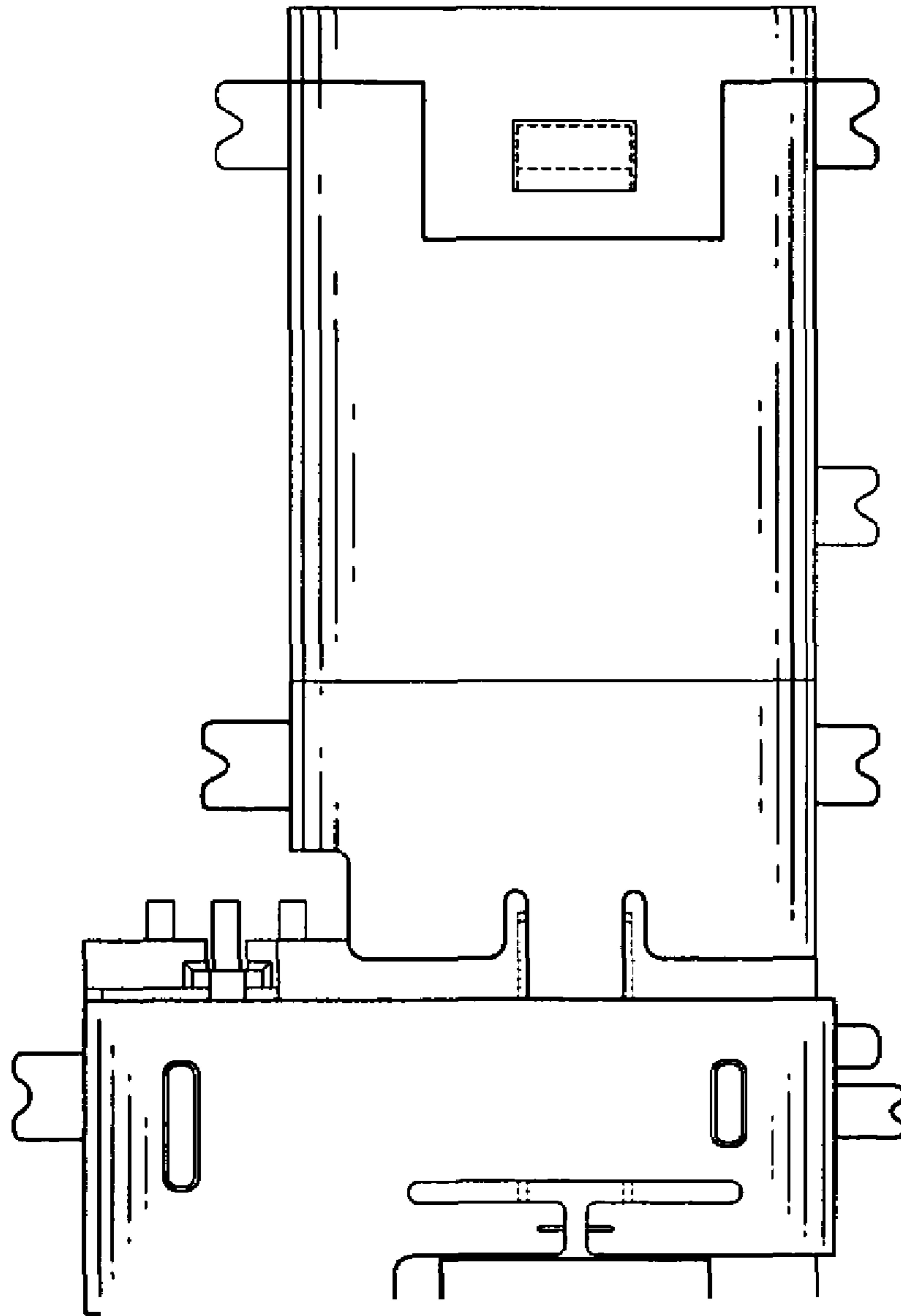


FIG. 6

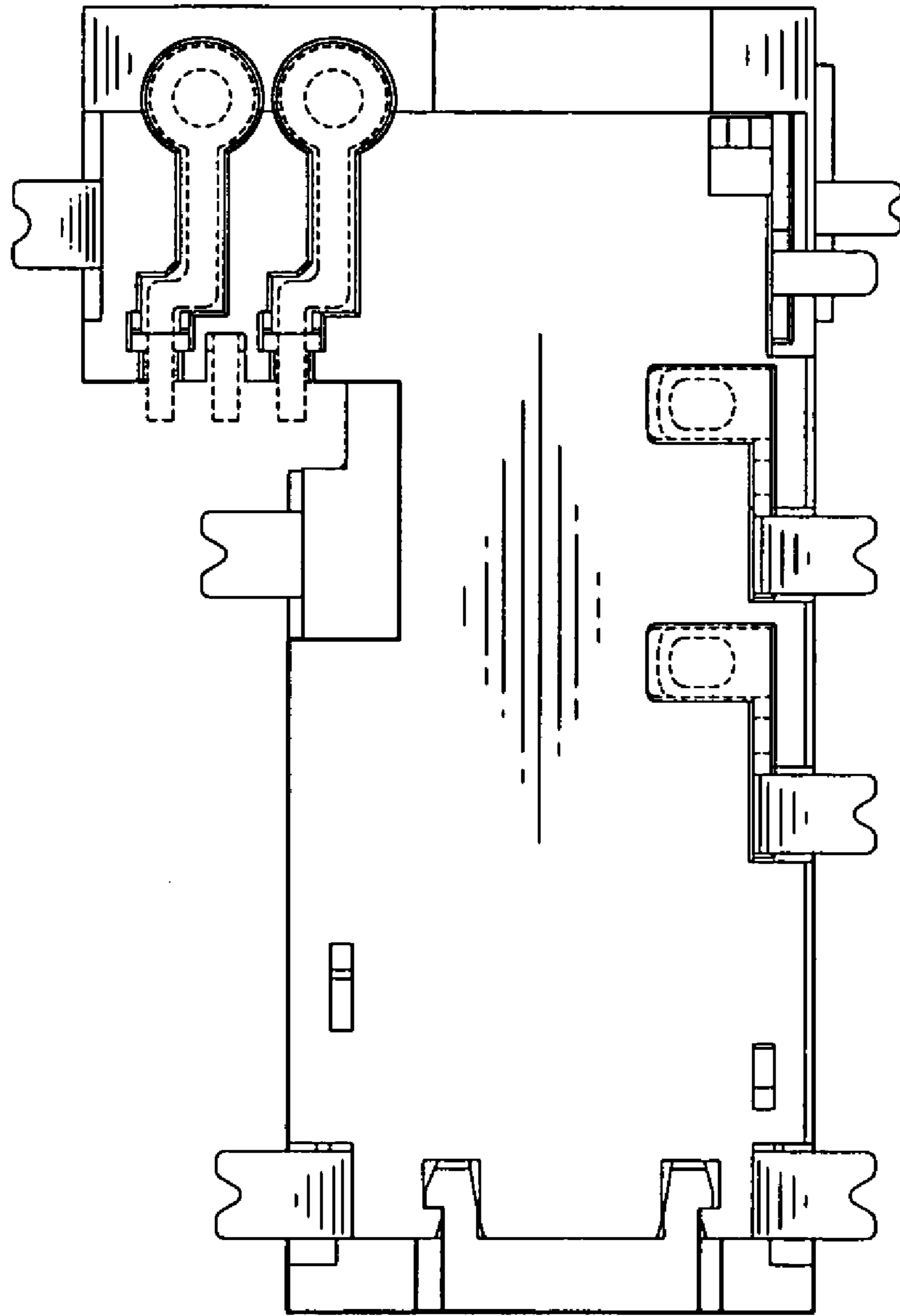


FIG. 7

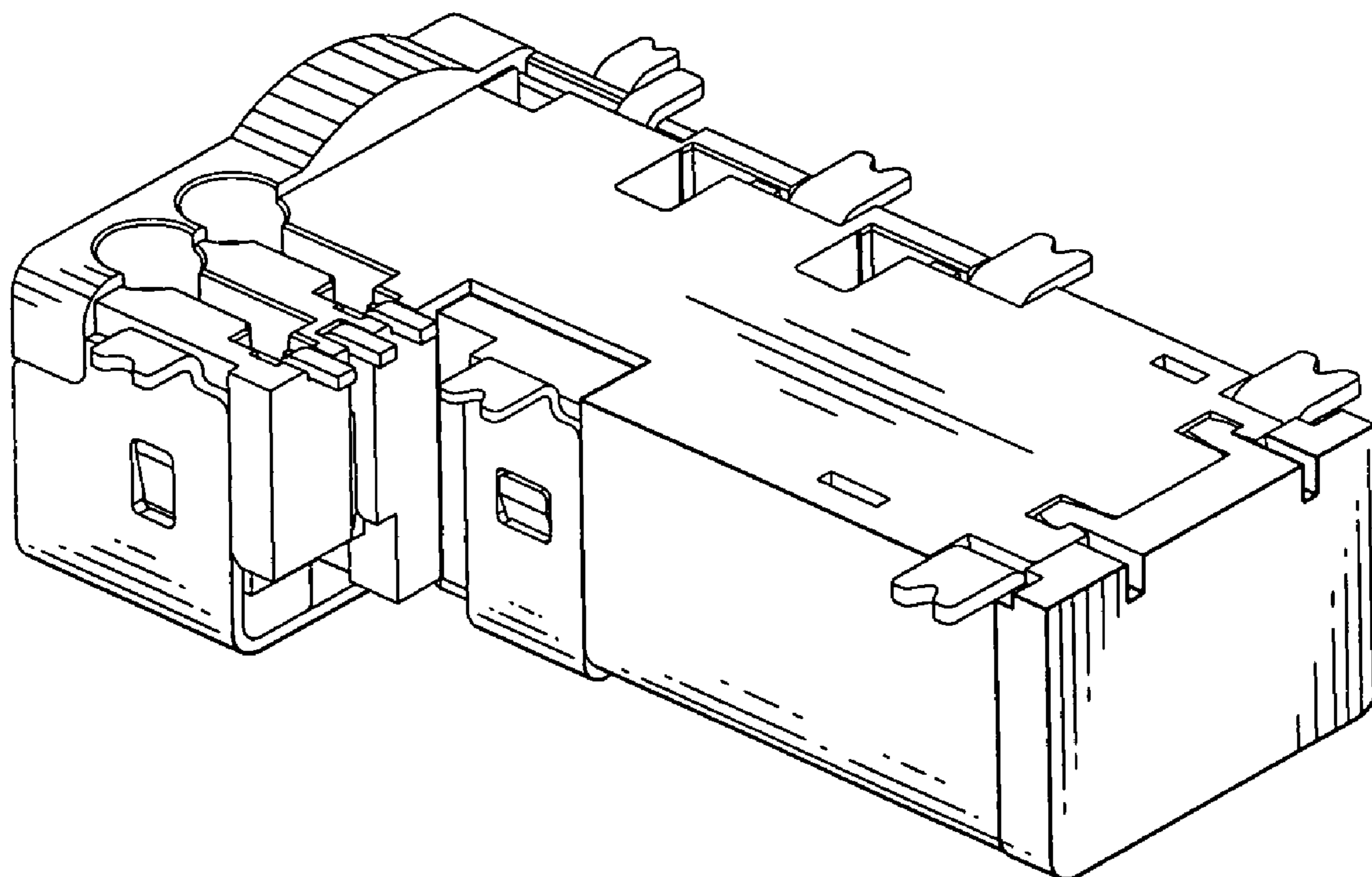


FIG. 8