



US00D617269S

(12) **United States Design Patent**
van Deursen

(10) **Patent No.:** **US D617,269 S**
(45) **Date of Patent:** **** Jun. 8, 2010**

(54) **PORTABLE GENERATOR**

(75) Inventor: **Gary E. van Deursen**, Essex, CT (US)

(73) Assignee: **Briggs & Stratton Corporation**,
Wauwatosa, WI (US)

(**) Term: **14 Years**

(21) Appl. No.: **29/350,042**

(22) Filed: **Nov. 10, 2009**

(51) **LOC (9) Cl.** **13-01**

(52) **U.S. Cl.** **D13/116**

(58) **Field of Classification Search** D13/116,
D13/112, 114, 122, 184, 199; D6/329, 462;
D15/33; D34/12, 17, 23, 24, 26; 219/56,
219/57; 290/1 A, 1 B, 1 R; 307/150, 153;
310/50, 89, 158, 418

See application file for complete search history.

(56) **References Cited**

U.S. PATENT DOCUMENTS

| | | | |
|----------------|---------|--------------------|-----------|
| D106,969 S | 11/1937 | Gerald | |
| D276,997 S * | 1/1985 | Mikado | D13/116 |
| D278,425 S * | 4/1985 | Toshihiko | D13/116 |
| D284,415 S * | 6/1986 | Cahoon | D34/17 |
| D293,904 S * | 1/1988 | Murakami et al. | D13/116 |
| 4,741,505 A | 5/1988 | Anderson | |
| 5,965,949 A * | 10/1999 | Fukuda et al. | 290/1 A |
| D418,809 S * | 1/2000 | Frank | D13/112 |
| 6,424,060 B1 | 7/2002 | Shiely et al. | |
| D472,519 S * | 4/2003 | Buck | D13/114 |
| D484,565 S * | 12/2003 | Ariaz | D23/200 |
| D486,447 S * | 2/2004 | Fan | D13/114 |
| D489,327 S * | 5/2004 | Imai | D13/116 |
| 6,750,556 B2 | 6/2004 | Sodemann et al. | |
| D494,929 S * | 8/2004 | Imai | D13/116 |
| 6,777,846 B2 | 8/2004 | Feldner et al. | |
| D501,182 S * | 1/2005 | Buck | D13/110 |
| 6,935,642 B1 * | 8/2005 | Craig et al. | 280/47.24 |
| 6,952,056 B2 | 10/2005 | Brandenburg et al. | |
| 6,975,216 B2 | 12/2005 | Tharman et al. | |
| 6,998,725 B2 | 2/2006 | Brandenburg et al. | |

| | | |
|--------------|---------|-----------------|
| 7,015,404 B2 | 3/2006 | Sodemann et al. |
| 7,015,599 B2 | 3/2006 | Gull et al. |
| 7,053,497 B2 | 5/2006 | Sodemann et al. |
| 7,057,108 B1 | 6/2006 | Sodemann et al. |
| 7,104,847 B2 | 9/2006 | Sodemann et al. |
| 7,148,580 B2 | 12/2006 | Sodemann et al. |
| 7,161,253 B2 | 1/2007 | Sodemann et al. |
| 7,314,397 B2 | 1/2008 | Sodemann et al. |
| D567,175 S | 4/2008 | Knuteson et al. |
| 7,356,384 B2 | 4/2008 | Gull et al. |
| 7,390,224 B2 | 6/2008 | Sodemann et al. |

(Continued)

OTHER PUBLICATIONS

Product Information taken from www.briggsandstratton.com/engine_power/details.aspx printed on Feb. 17, 2010, 16 pages.

Primary Examiner—Stella M Reid

Assistant Examiner—Derrick Holland

(74) *Attorney, Agent, or Firm*—Foley & Lardner LLP

(57) **CLAIM**

I claim the ornamental design for a portable generator, as shown and described.

DESCRIPTION

FIG. 1 is a front perspective view of a portable generator showing my new design;

FIG. 2 is a left side view thereof;

FIG. 3 is a front view thereof;

FIG. 4 is a right side view thereof;

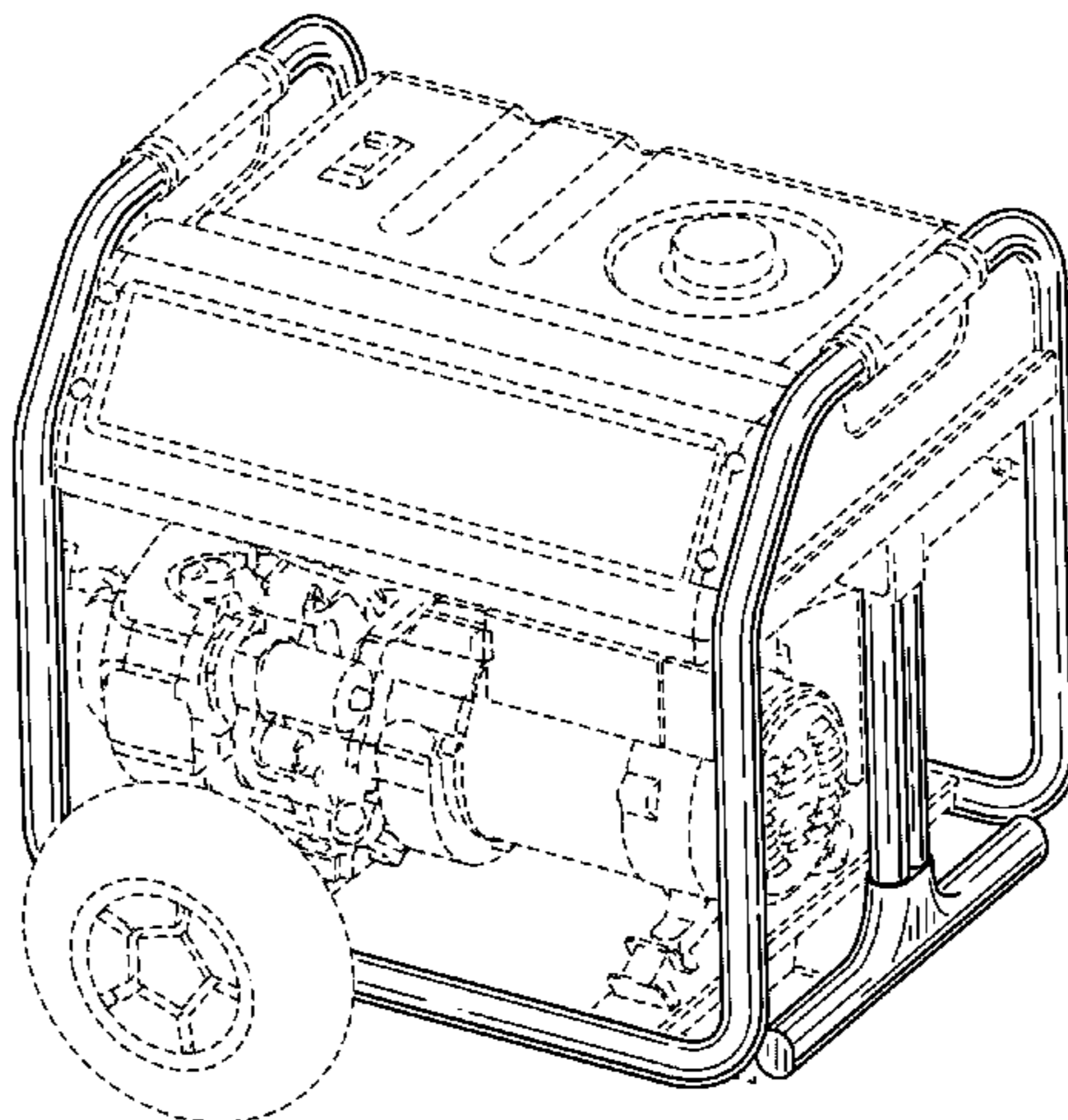
FIG. 5 is a rear view thereof;

FIG. 6 is a top view thereof; and,

FIG. 7 is a bottom view thereof.

The broken lines that abut the shaded areas represent the boundaries of the claimed design while all other broken lines are directed to environment and are for illustrative purposes only. None of the broken lines form part of the claimed design.

1 Claim, 7 Drawing Sheets



US D617,269 S

Page 2

U.S. PATENT DOCUMENTS

7,471,505 B2 12/2008 Gull et al.
7,492,050 B2 2/2009 Brandenburg et al.

2008/0093862 A1 4/2008 Brandenburg et al.

* cited by examiner

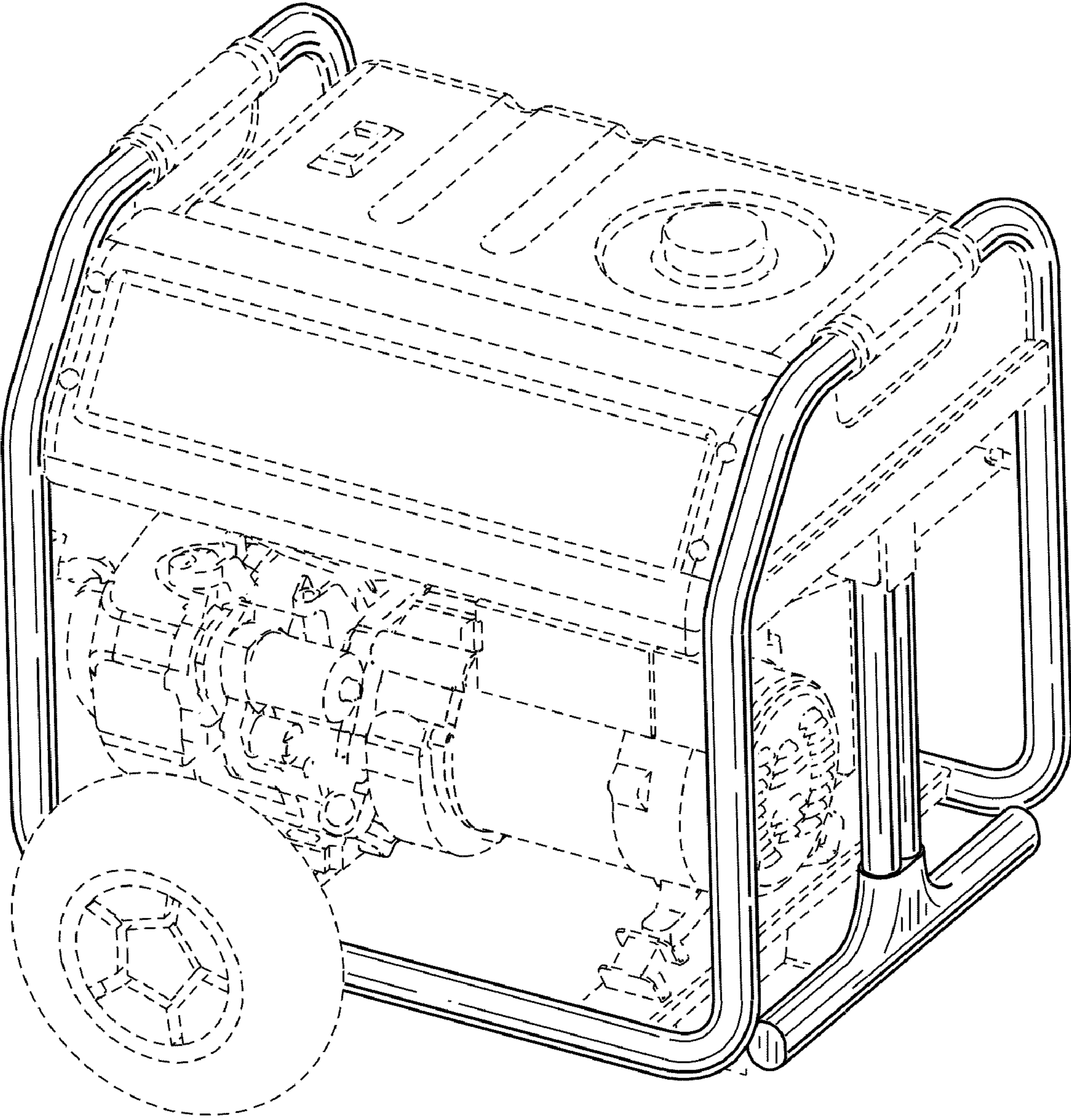


FIG. 1

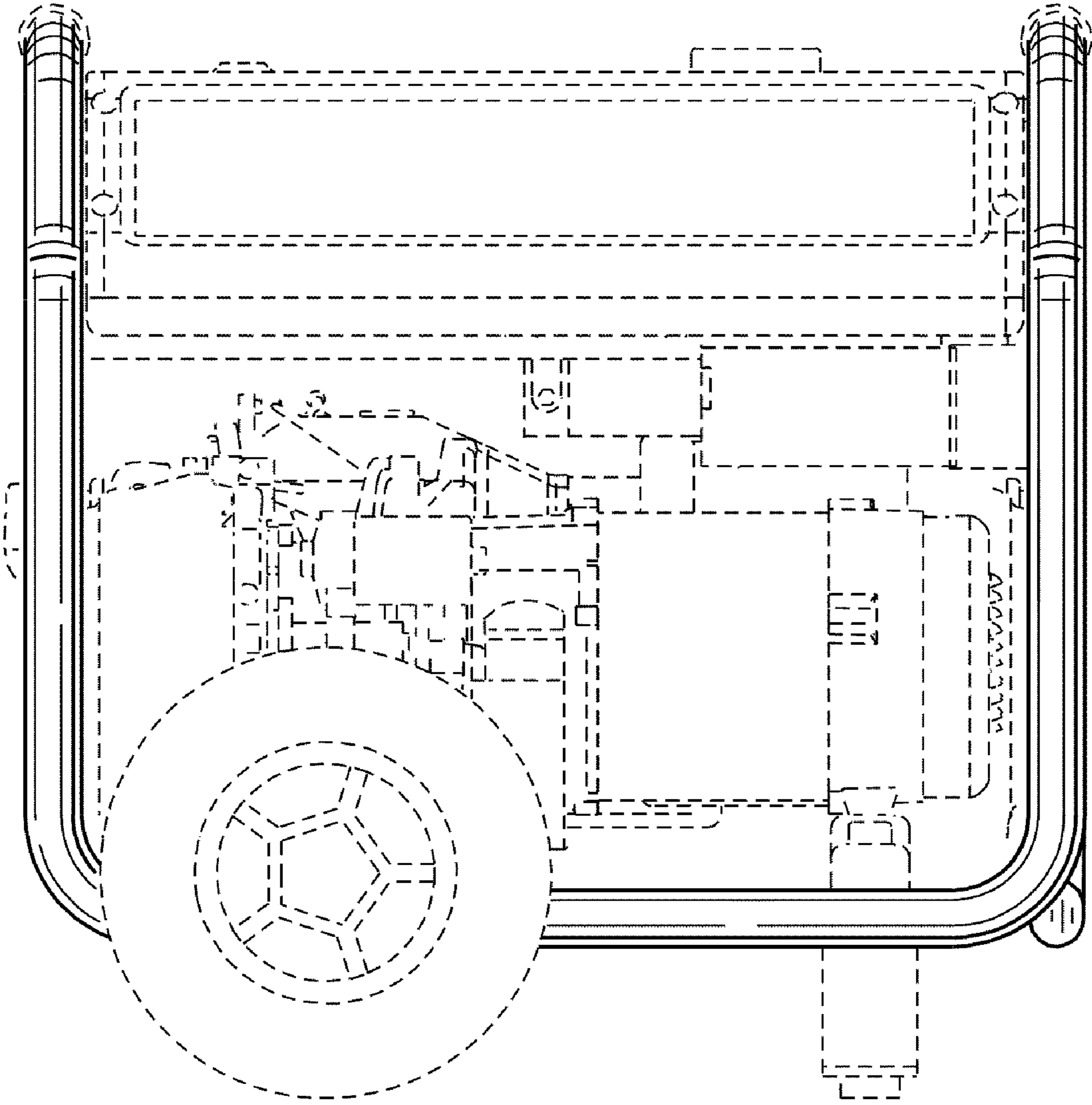


FIG. 2

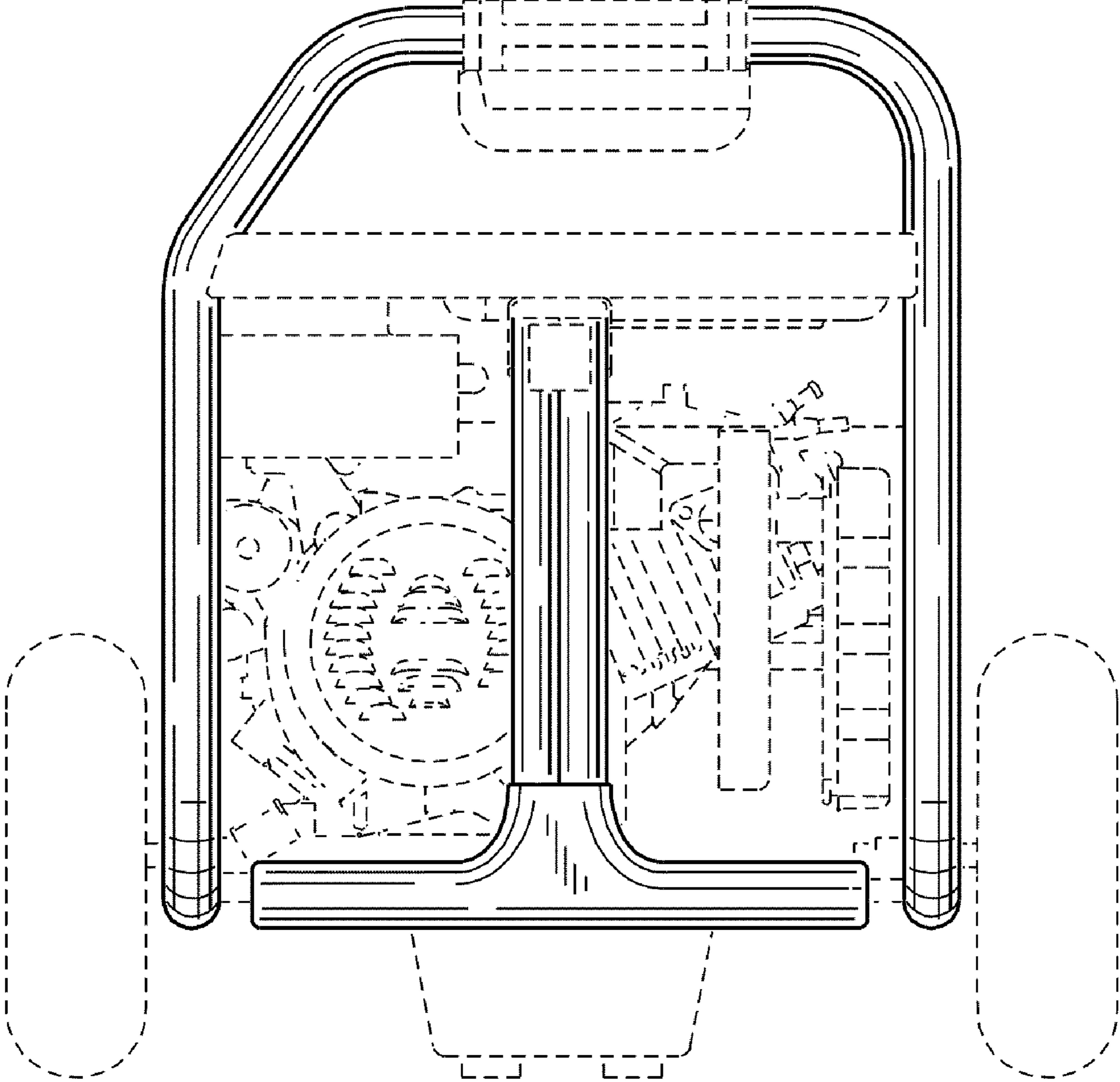


FIG. 3

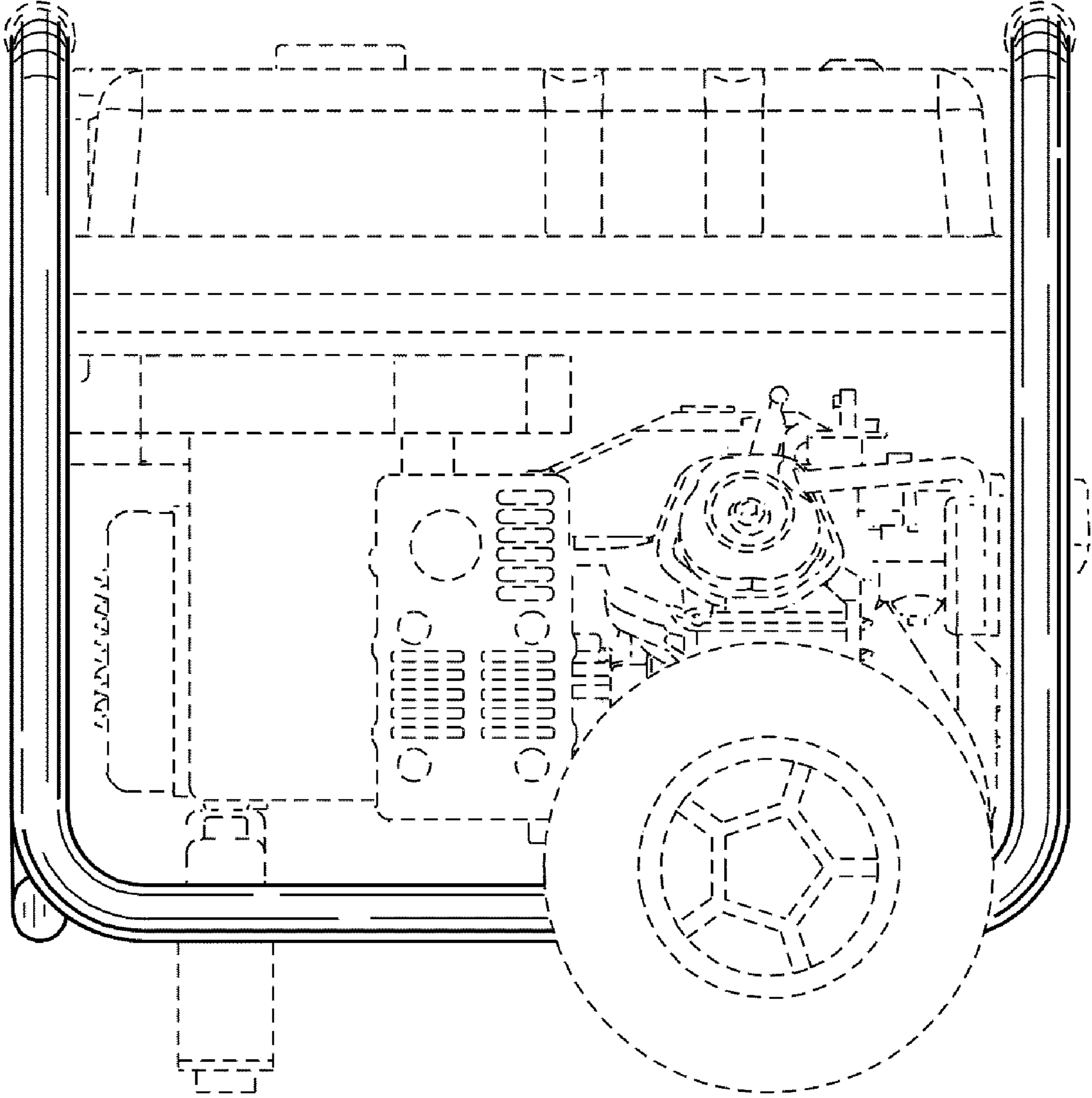


FIG. 4

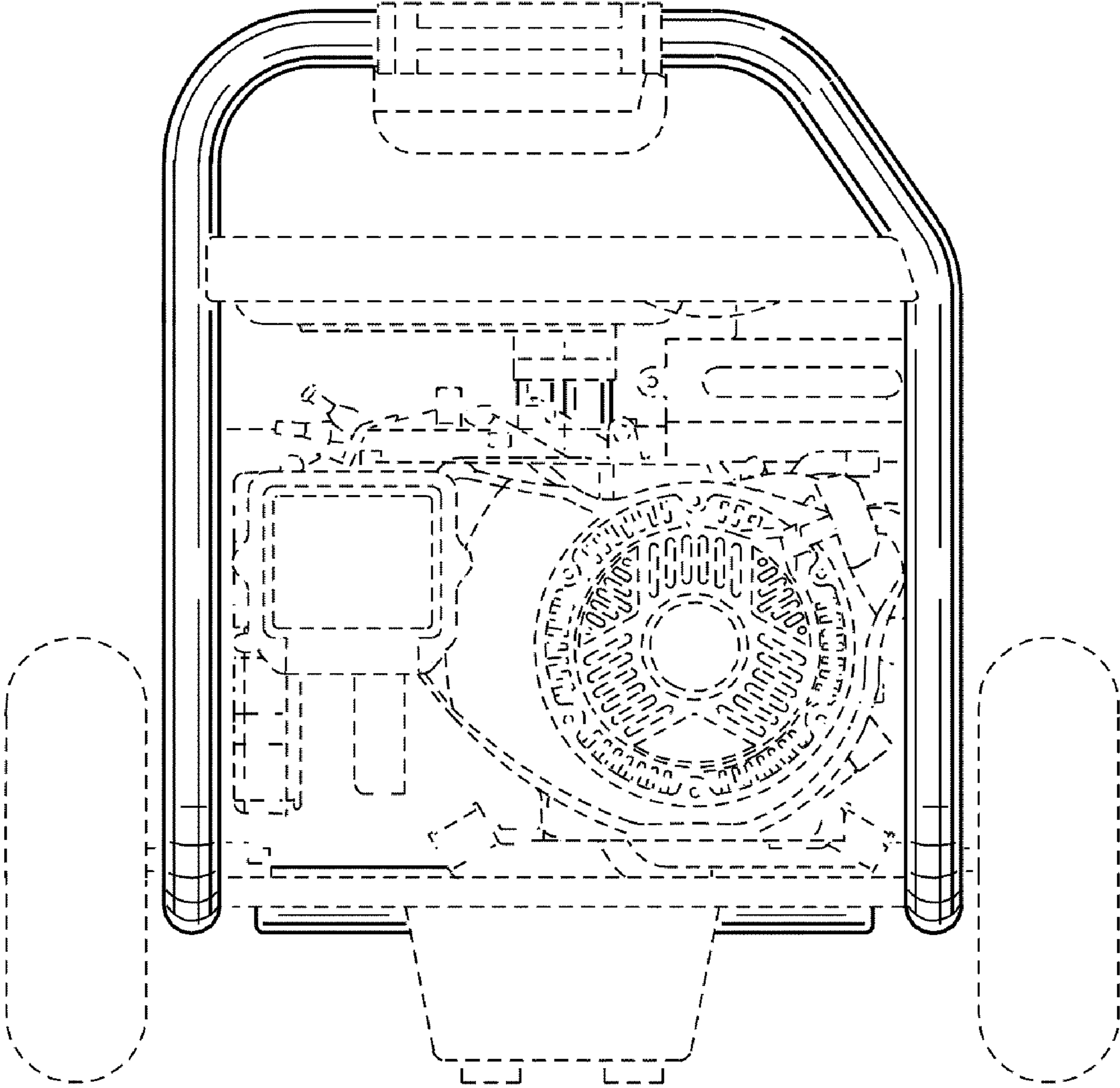


FIG. 5

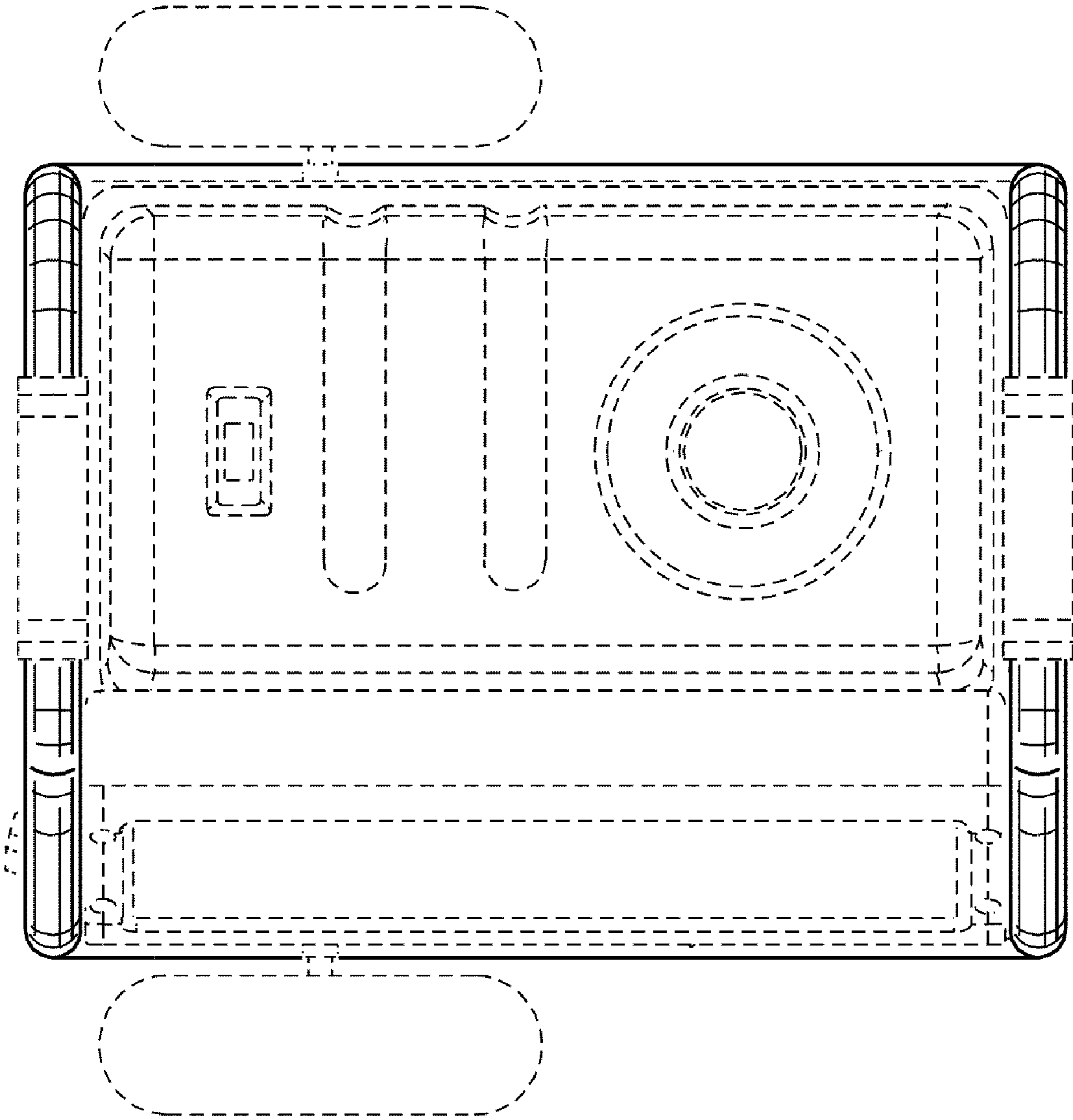


FIG. 6

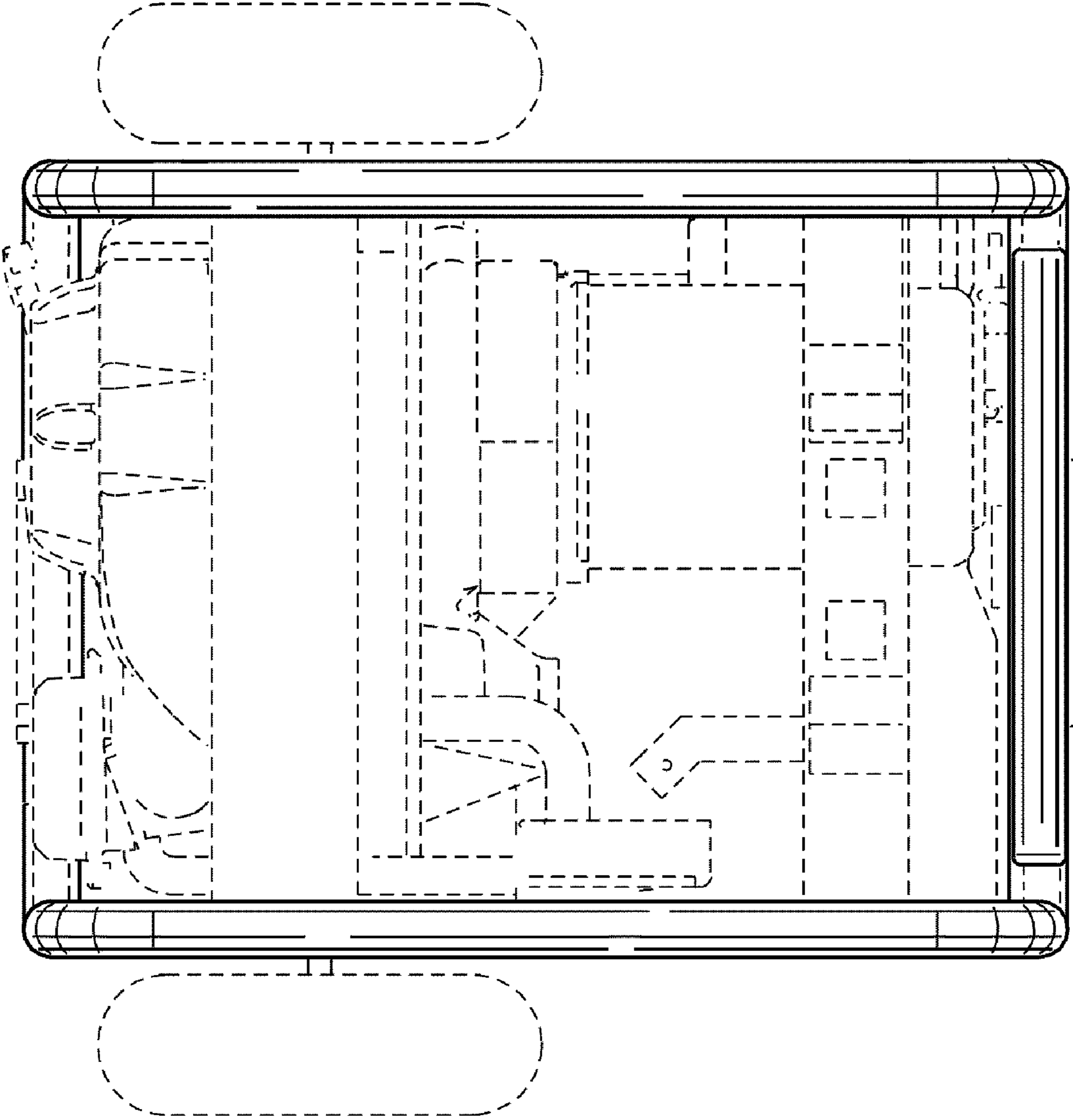


FIG. 7