



US00D617268S

(12) **United States Design Patent**
Yen

(10) **Patent No.:** **US D617,268 S**

(45) **Date of Patent:** **** Jun. 8, 2010**

(54) **BATTERY CHARGER**

(76) Inventor: **Jen Yen Yen**, Yuanshang Village, Jiuzhen
Town, Zhang Pu County, Zhang Zhou
City (TW) 363213

(**) Term: **14 Years**

(21) Appl. No.: **29/353,125**

(22) Filed: **Jan. 3, 2010**

(51) **LOC (9) Cl.** **13-02**

(52) **U.S. Cl.** **D13/108**

(58) **Field of Classification Search** D13/107,
D13/110, 133, 155, 184, 199; D14/251,
D14/253, 432, 434; 320/107-115
See application file for complete search history.

(56) **References Cited**

U.S. PATENT DOCUMENTS

D358,363 S *	5/1995	Usami	D13/107
D443,856 S *	6/2001	Lehtovaara	D13/107
D478,557 S *	8/2003	Pfeiffer	D13/107
D492,250 S *	6/2004	Alviar et al.	D13/110
D548,178 S *	8/2007	Suk et al.	D13/108
D552,029 S *	10/2007	Kingston et al.	D13/108

D564,960 S *	3/2008	Sacco et al.	D13/107
D565,506 S *	4/2008	Sacco et al.	D13/107
D580,354 S *	11/2008	Dunbar et al.	D13/108
D585,367 S *	1/2009	Dunbar et al.	D13/108
D588,535 S *	3/2009	Krieger et al.	D13/107
D610,983 S *	3/2010	Wai	D13/108

* cited by examiner

Primary Examiner—Rosemary K Tarcza

(57) **CLAIM**

The ornamental design for a battery charger, as shown and described.

DESCRIPTION

FIG. 1 is a perspective view of a battery charger showing my new design;

FIG. 2 is a front elevational view thereof;

FIG. 3 is a rear elevational view thereof;

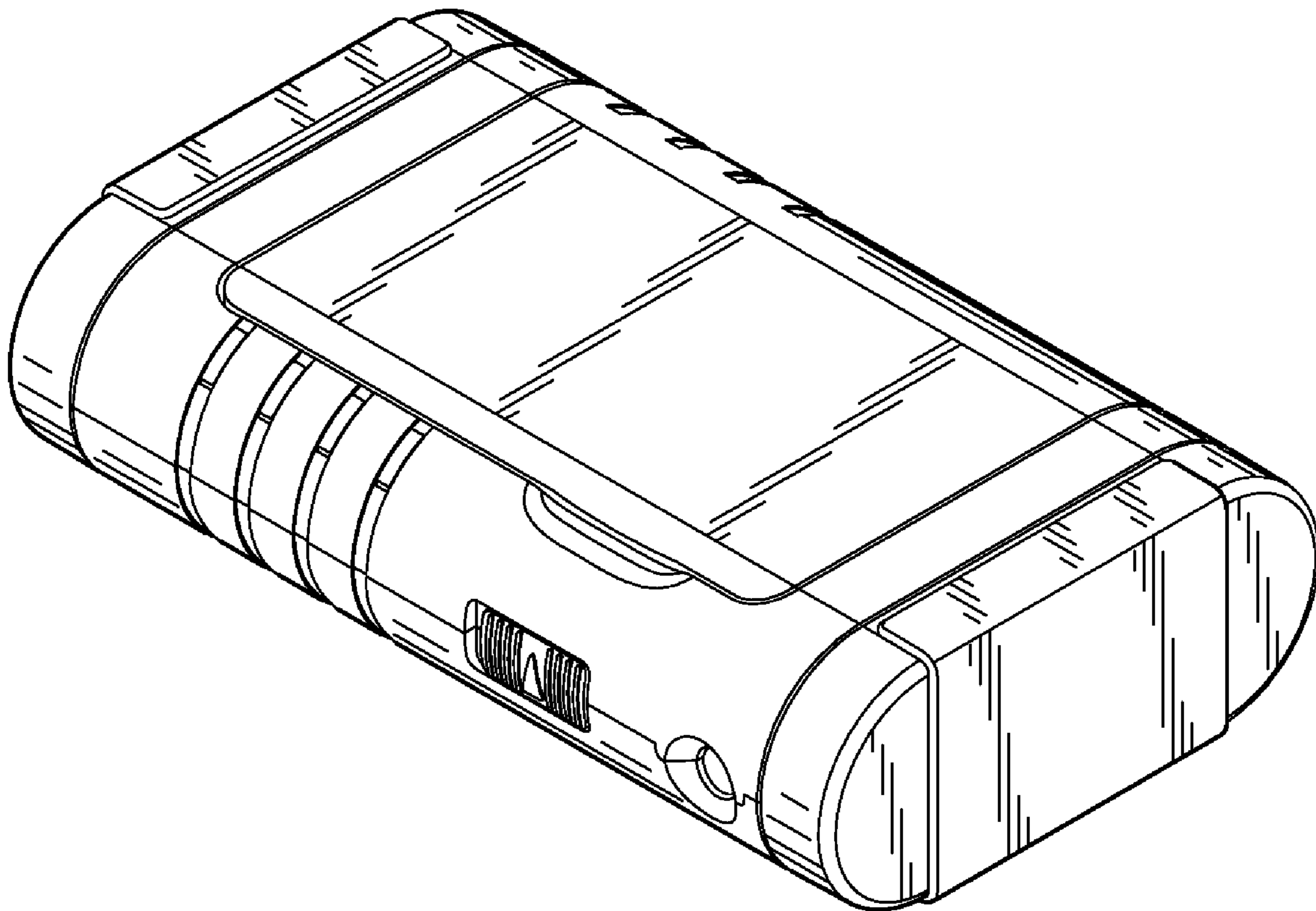
FIG. 4 is a left side view thereof;

FIG. 5 is a right side view thereof;

FIG. 6 is a top plan view thereof; and,

FIG. 7 is a bottom plan view thereof.

1 Claim, 4 Drawing Sheets



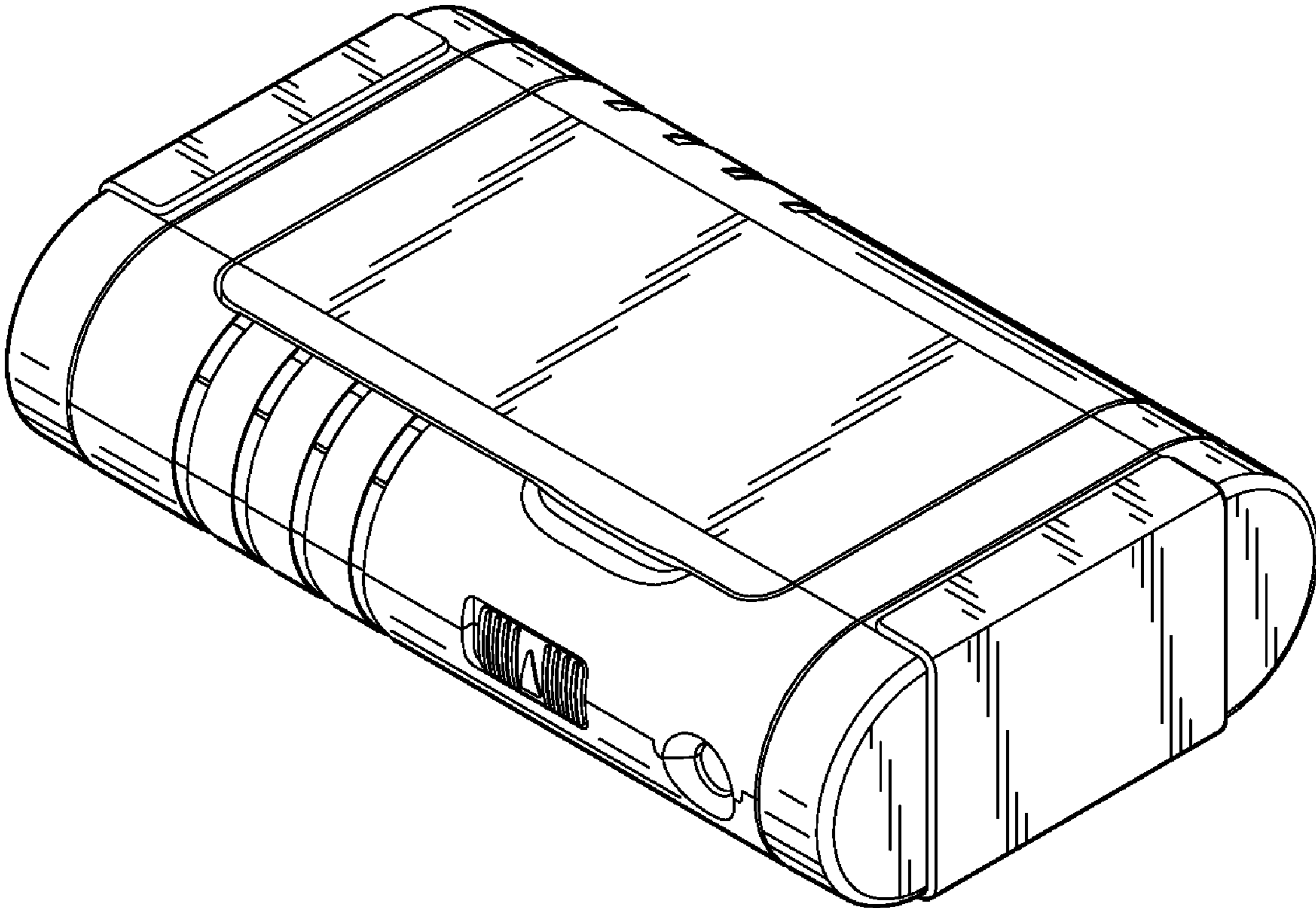


FIG. 1

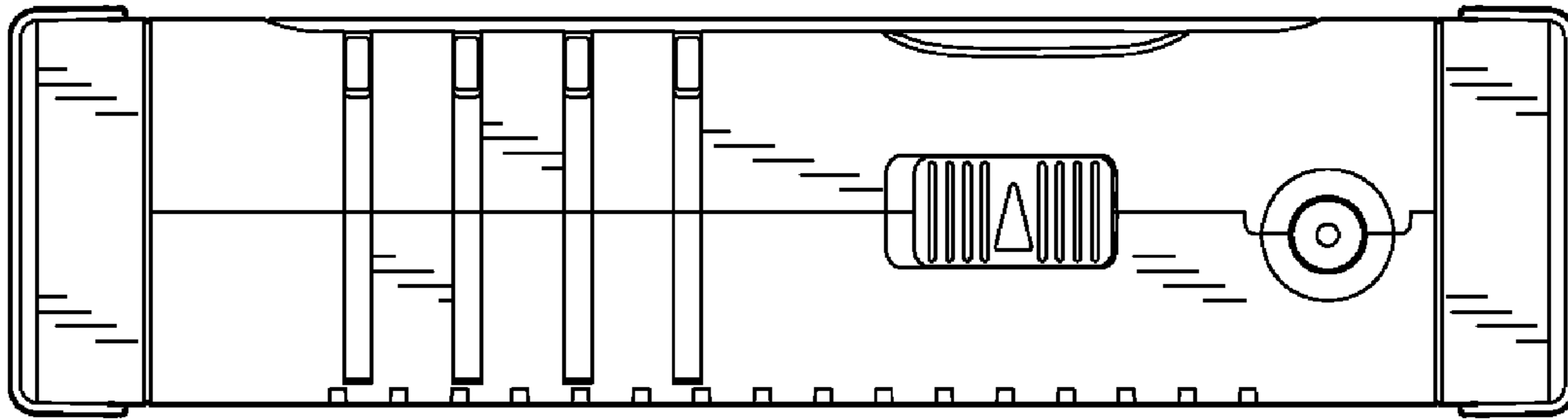


FIG. 2

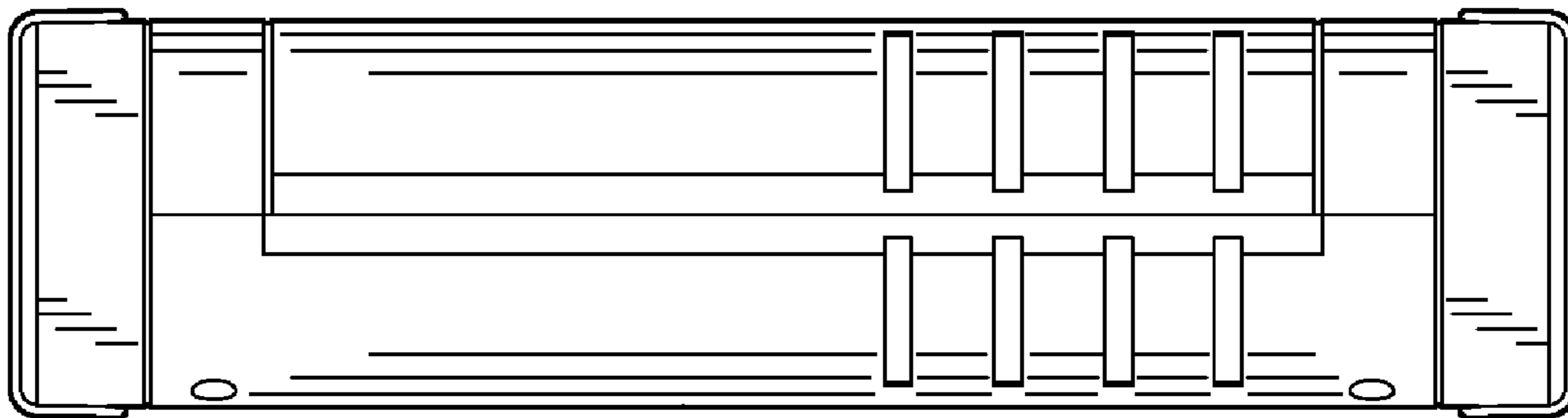


FIG. 3

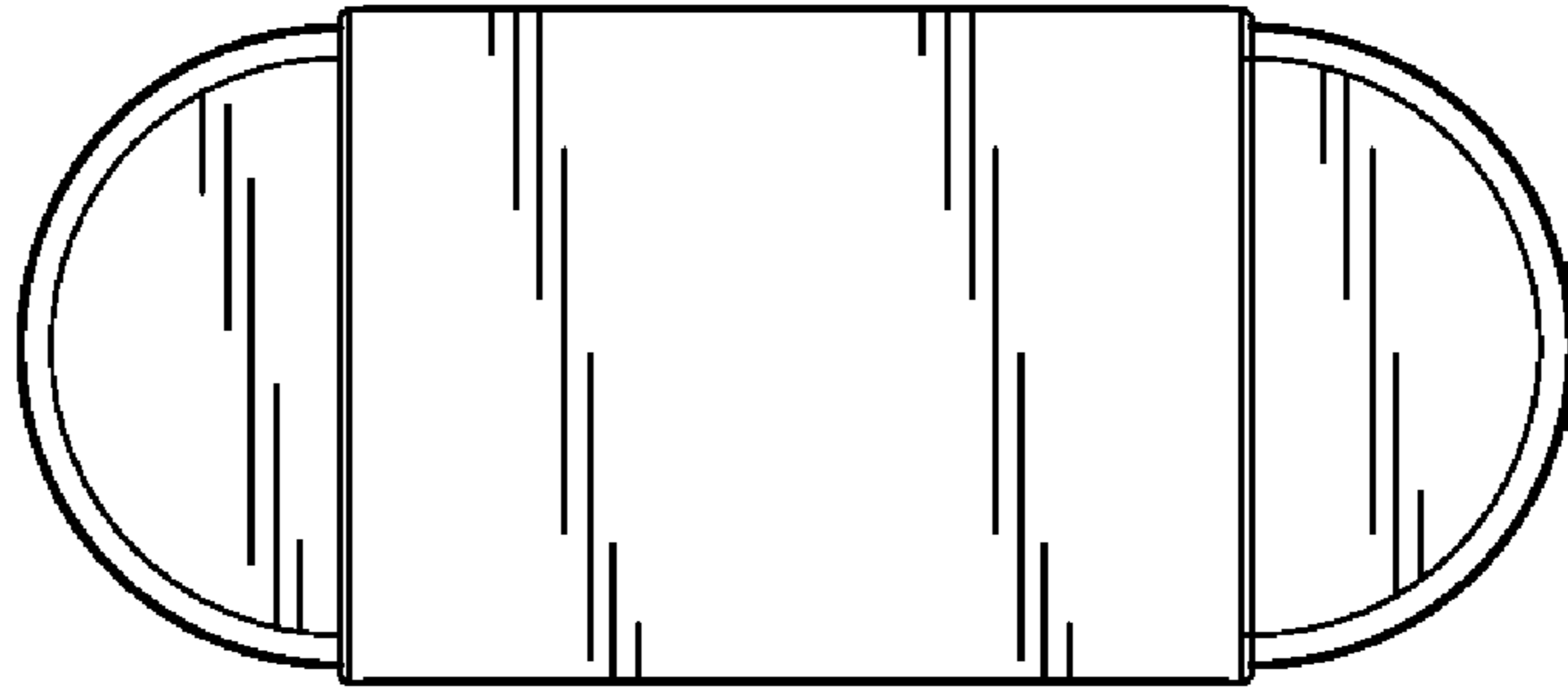


FIG. 4

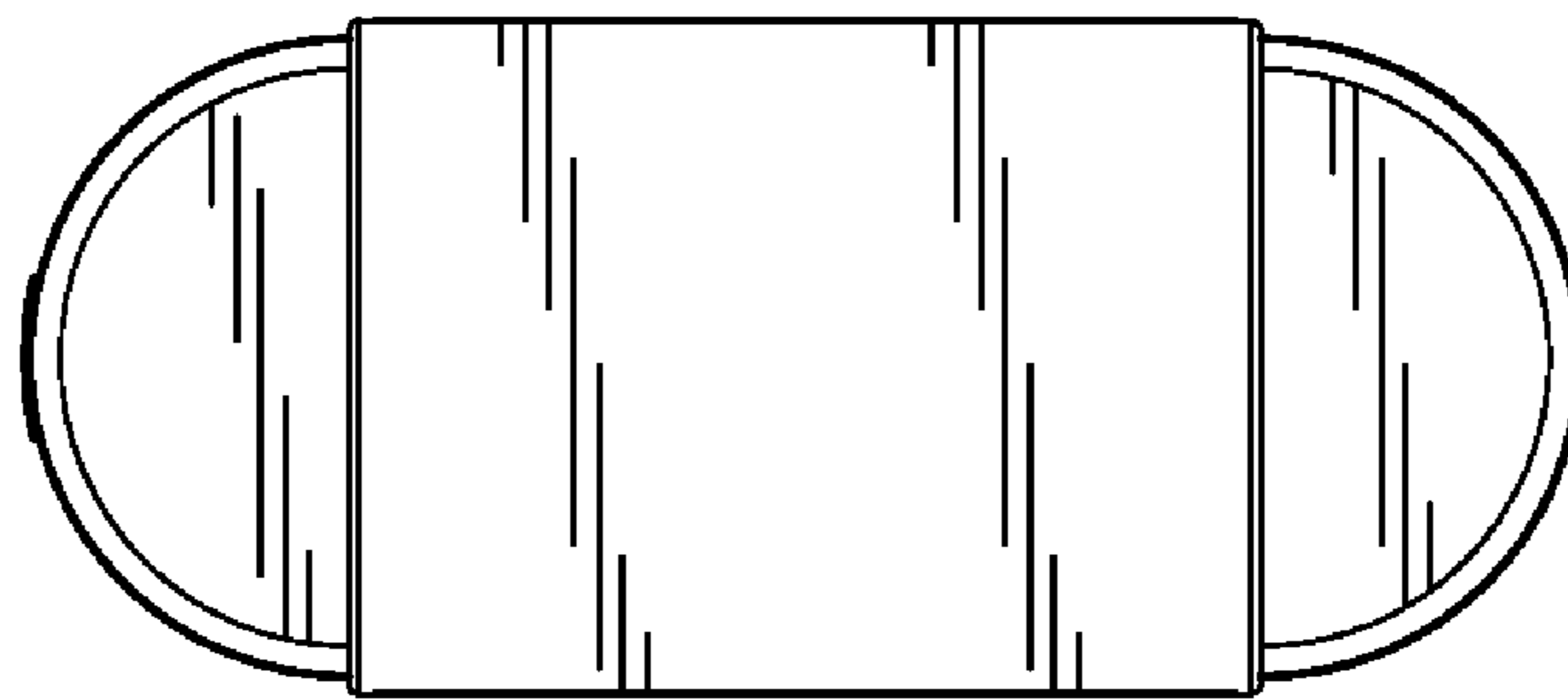


FIG. 5

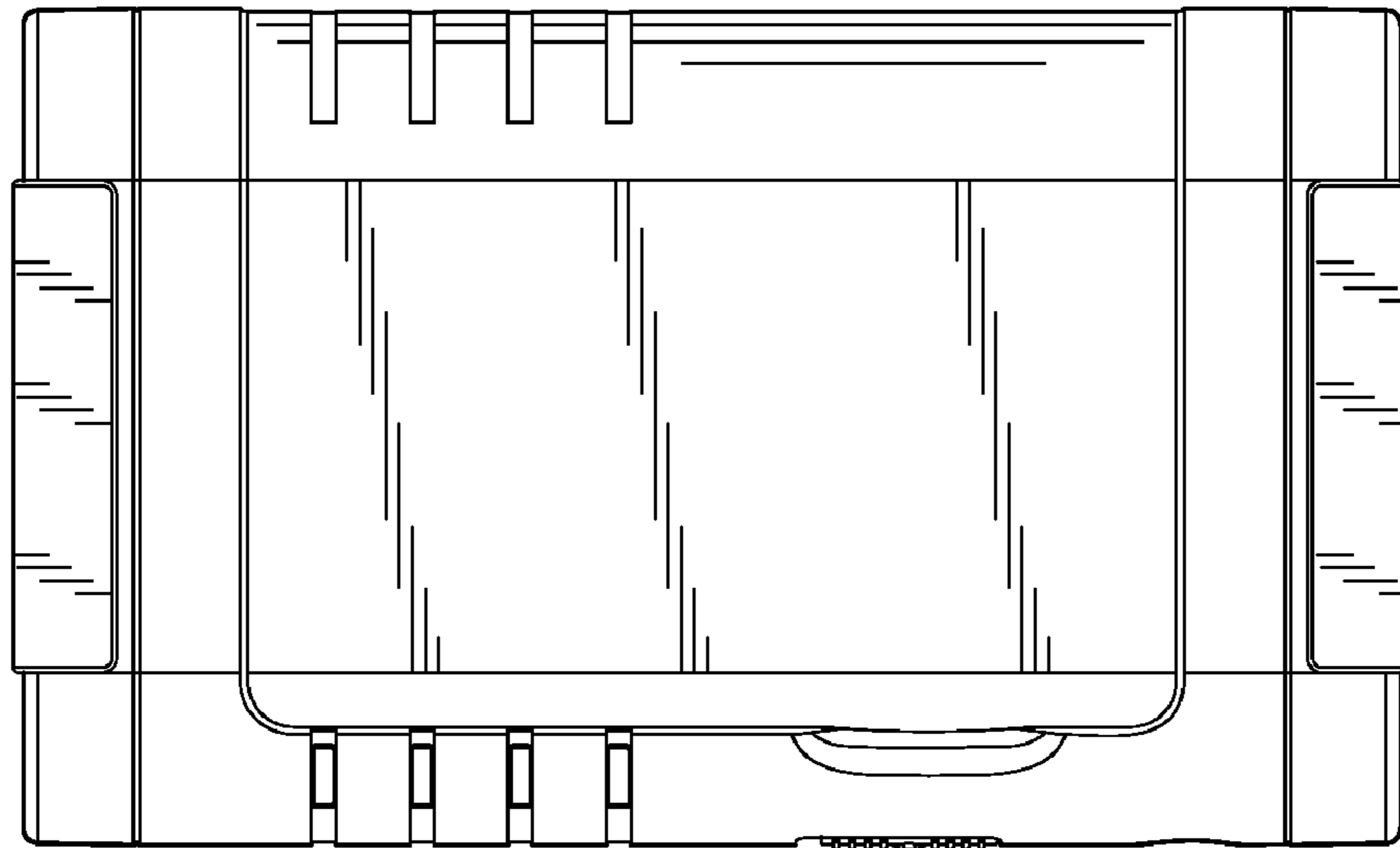


FIG. 6

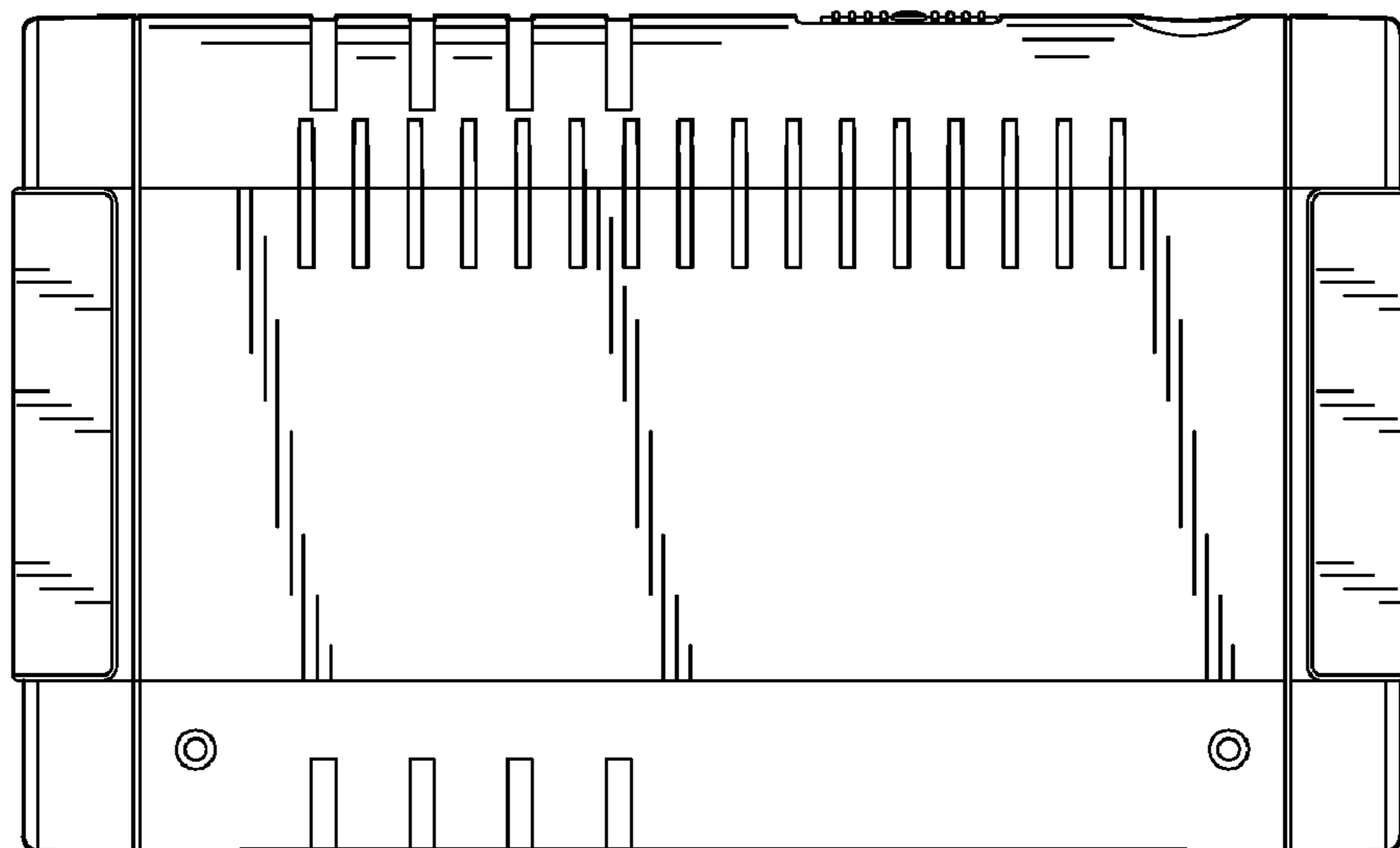


FIG. 7