



US00D617266S

(12) **United States Design Patent**  
**Sasada et al.**

(10) **Patent No.:** **US D617,266 S**  
(45) **Date of Patent:** **\*\* Jun. 8, 2010**

(54) **PORTABLE SOLAR BATTERY**

(75) Inventors: **Motohiro Sasada**, Osaka (JP); **Shinji Oda**, Osaka (JP)

(73) Assignee: **Sanyo Electric Co., Ltd**, Osaka (JP)

(\*\*) Term: **14 Years**

(21) Appl. No.: **29/347,104**

(22) Filed: **Sep. 23, 2009**

(30) **Foreign Application Priority Data**

Apr. 15, 2009 (JP) ..... 2009-008590

(51) **LOC (9) Cl.** ..... **13-02**

(52) **U.S. Cl.** ..... **D13/102**

(58) **Field of Classification Search** ..... D13/102,  
D13/101, 103, 107, 108, 199; 136/206, 243,  
136/244, 245, 252; 320/101, 102, 114, 115,  
320/120

See application file for complete search history.

(56) **References Cited**

**U.S. PATENT DOCUMENTS**

5,522,943 A \* 6/1996 Spencer et al. .... 136/245  
D382,535 S \* 8/1997 Chiang ..... D13/103  
D442,139 S \* 5/2001 Sasaoka ..... D13/102  
6,476,311 B1 \* 11/2002 Lee et al. .... 136/244  
D479,191 S \* 9/2003 Peress et al. .... D13/102

D489,680 S \* 5/2004 Stobart ..... D13/107  
D493,768 S \* 8/2004 Lam ..... D13/102  
6,784,359 B2 \* 8/2004 Clark et al. .... 136/245  
D510,316 S \* 10/2005 Hayakawa ..... D13/102  
D568,238 S \* 5/2008 Sharma et al. .... D13/102

\* cited by examiner

*Primary Examiner*—Prabhakar Deshmukh

*Assistant Examiner*—Derrick Holland

(74) *Attorney, Agent, or Firm*—Rabin & Berdo, PC

(57) **CLAIM**

The ornamental design for a portable solar battery, as shown and described.

**DESCRIPTION**

FIG. 1 is a perspective view of a portable solar battery showing our new design;

FIG. 2 is a rear perspective view thereof;

FIG. 3 is a front elevation view thereof;

FIG. 4 is a rear elevation view thereof;

FIG. 5 is a top plan view thereof;

FIG. 6 is a bottom plan view thereof;

FIG. 7 is a right side view thereof; and,

FIG. 8 is a left side view thereof.

The broken lines shown in FIGS. 1–4 represent stitching.

**1 Claim, 4 Drawing Sheets**

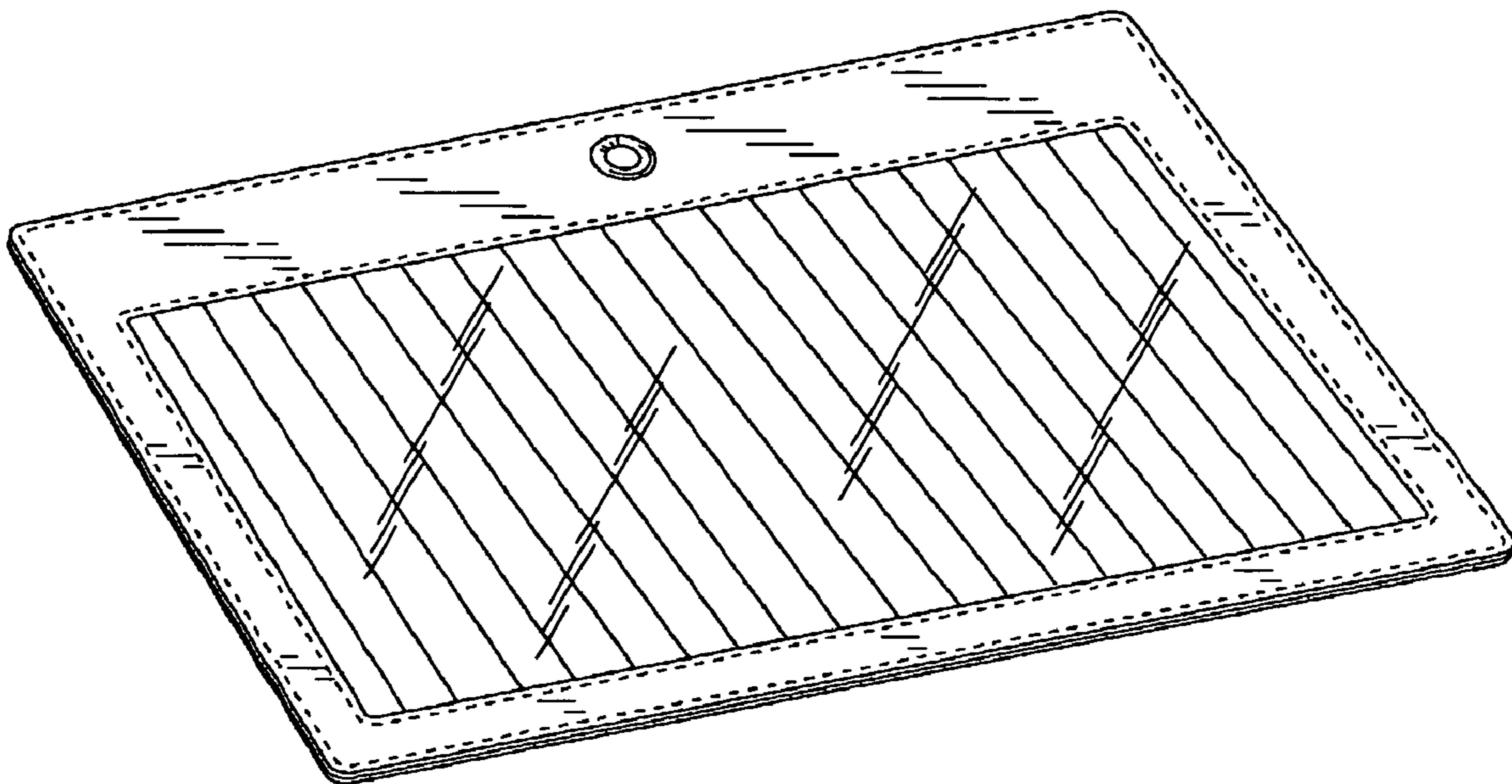


FIG. 1

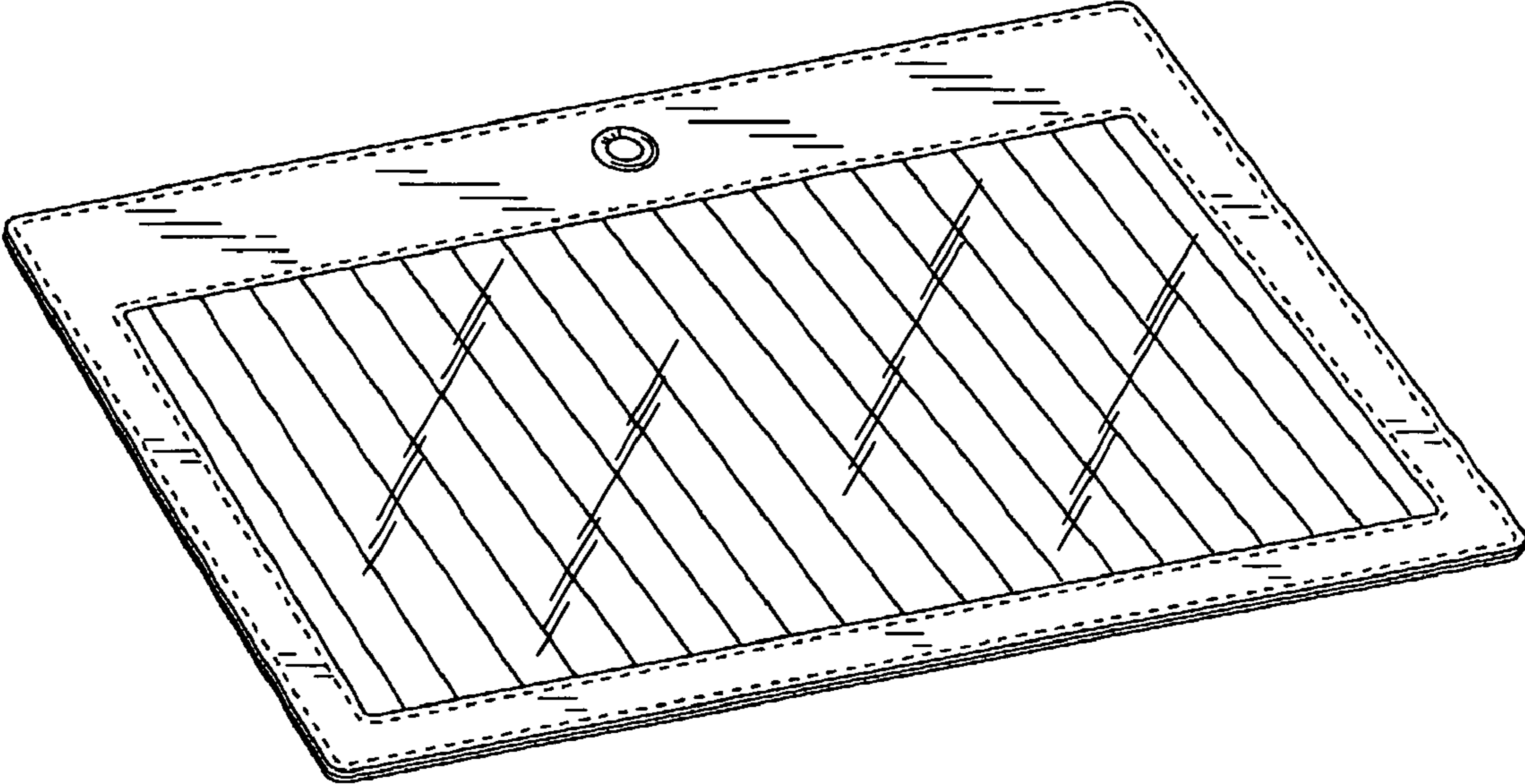


FIG. 2

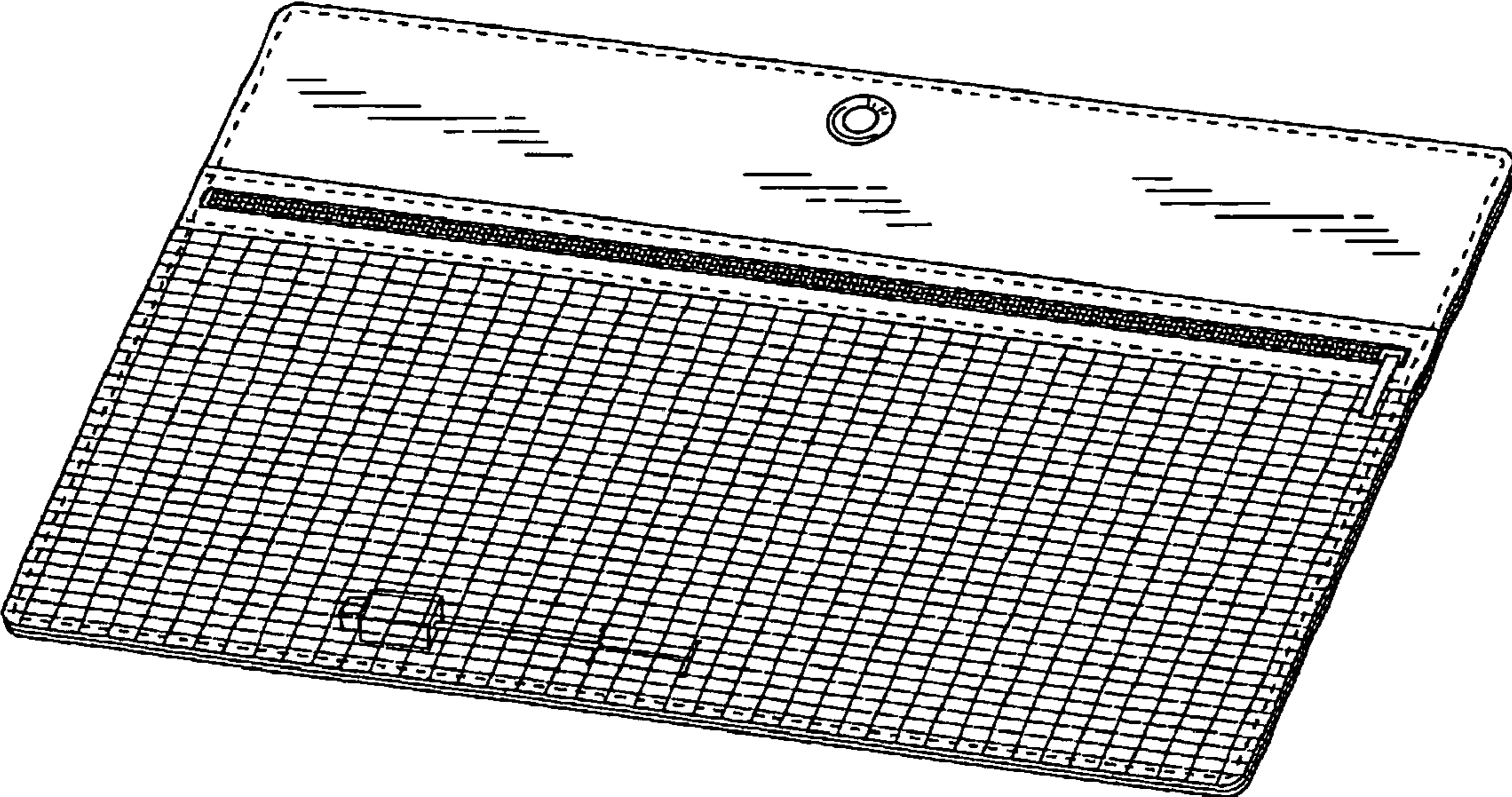


FIG. 3

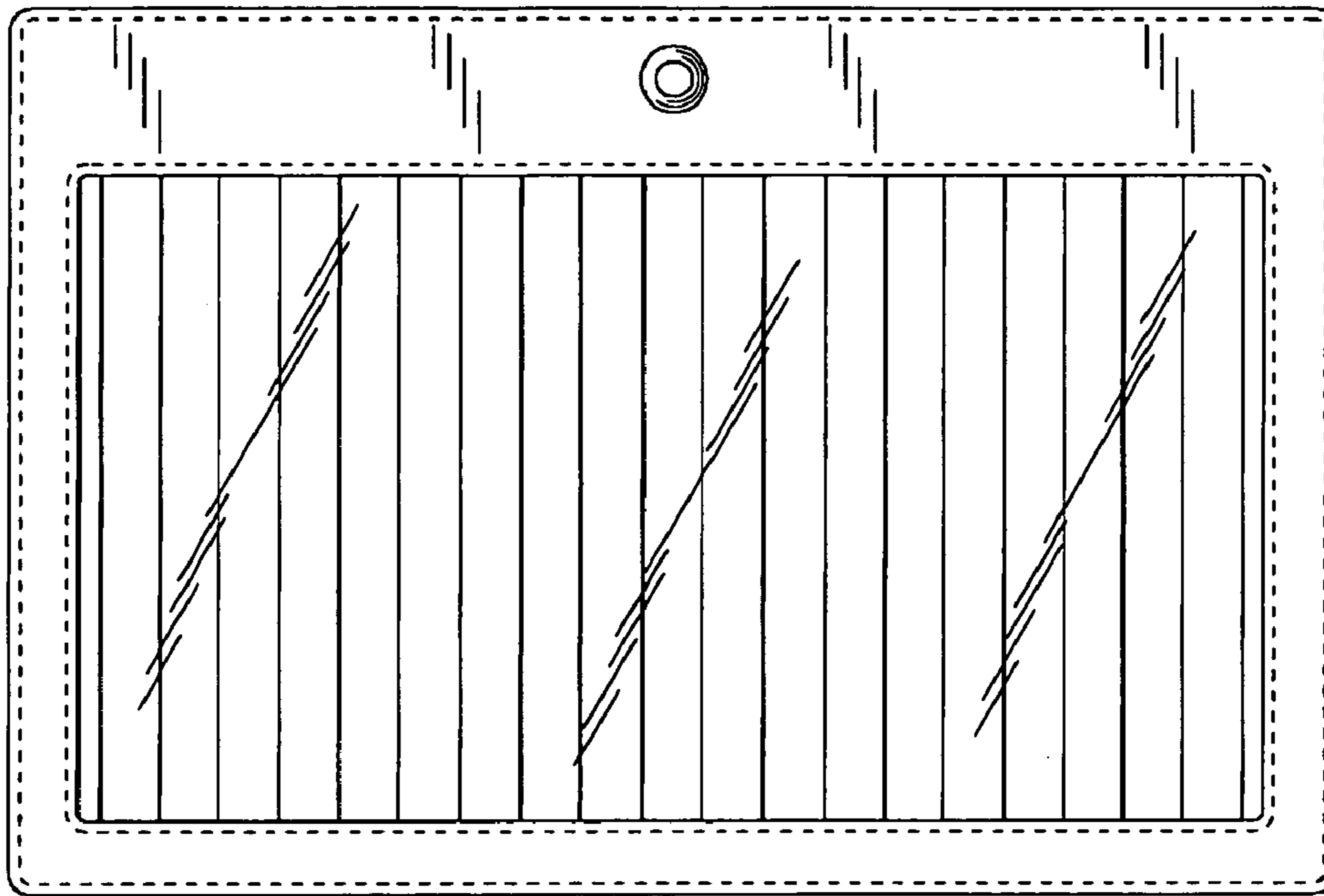


FIG. 4

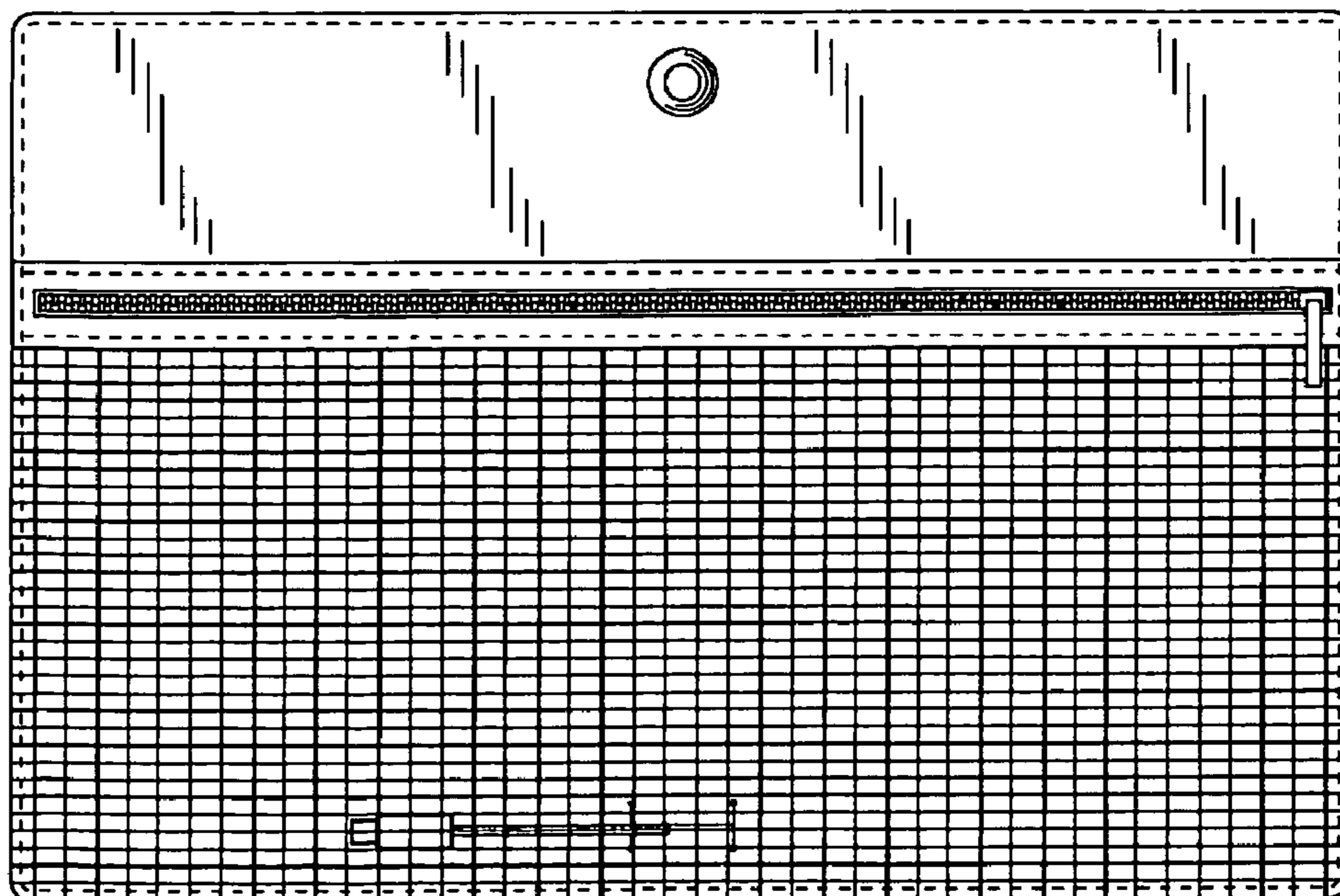


FIG. 5



FIG. 6



FIG. 7



FIG. 8

