



US00D617259S

(12) **United States Design Patent**  
**Malina et al.**

(10) **Patent No.:** **US D617,259 S**  
(45) **Date of Patent:** **\*\* Jun. 8, 2010**

(54) **PROTECTIVE VEHICLE COVER**

(76) Inventors: **Ronny Malina**, 119 Rockland Center,  
#149, Nanuet, NY (US) 10954; **Eric  
Malina**, 119 Rockland Center, #149,  
Nanuet, NY (US) 10954

(\*\*) Term: **14 Years**

(21) Appl. No.: **29/327,026**

(22) Filed: **Oct. 29, 2008**

(51) **LOC (9) Cl.** ..... **12-16**

(52) **U.S. Cl.** ..... **D12/401**

(58) **Field of Classification Search** ..... D12/401-405;  
160/370.21, 370.22; 180/370.23; 280/770;  
150/165-167; 296/136.01, 95.1, 84.1, 77.1;  
224/328; 135/88.01, 88.1, 91, 93, 95  
See application file for complete search history.

(56) **References Cited**

**U.S. PATENT DOCUMENTS**

D323,639	S *	2/1992	Creamer	.....	D12/401
5,673,960	A *	10/1997	Sorensen	.....	296/136.07
5,762,374	A *	6/1998	Grove et al.	.....	280/847
6,152,487	A *	11/2000	Crick	.....	280/770
D555,572	S *	11/2007	Harrell	.....	D12/401
2004/0144461	A1 *	7/2004	Raines	.....	150/167

\* cited by examiner

*Primary Examiner*—Caron Veynar  
*Assistant Examiner*—Katrina A Kile

(74) *Attorney, Agent, or Firm*—Jeffrey Sonnabend;  
SonnabendLaw

(57) **CLAIM**

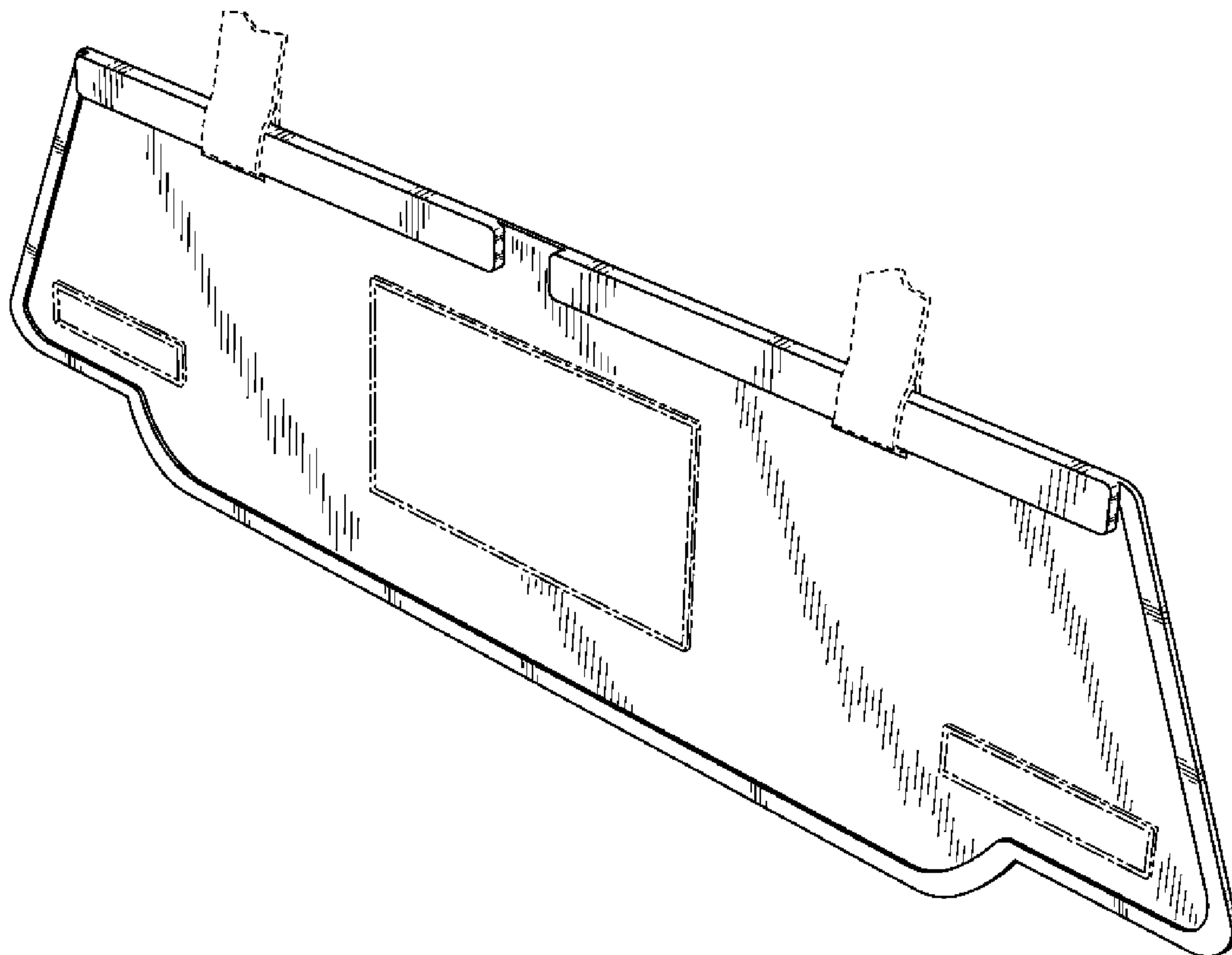
The ornamental design for a protective vehicle cover, as shown and described.

**DESCRIPTION**

FIG. 1 is perspective view of the protective vehicle cover.  
FIG. 2 is a front plan view of the protective vehicle cover.  
FIG. 3 is a back plan view of the protective vehicle cover.  
FIG. 4 is a side elevation view of the protective vehicle cover.  
FIG. 5 is a side elevation view of the protective vehicle cover.  
FIG. 6 is a top elevation view of the protective vehicle cover.  
FIG. 7 is a bottom elevation view of the protective vehicle cover; and,  
FIG. 8 is perspective view of the protective vehicle cover shown on a vehicle.

In the drawings, the dash-dot-dash broken lines represent the boundary of the claim, and the evenly spaced broken lines show straps and a vehicle and form no part of the claimed design.

**1 Claim, 4 Drawing Sheets**



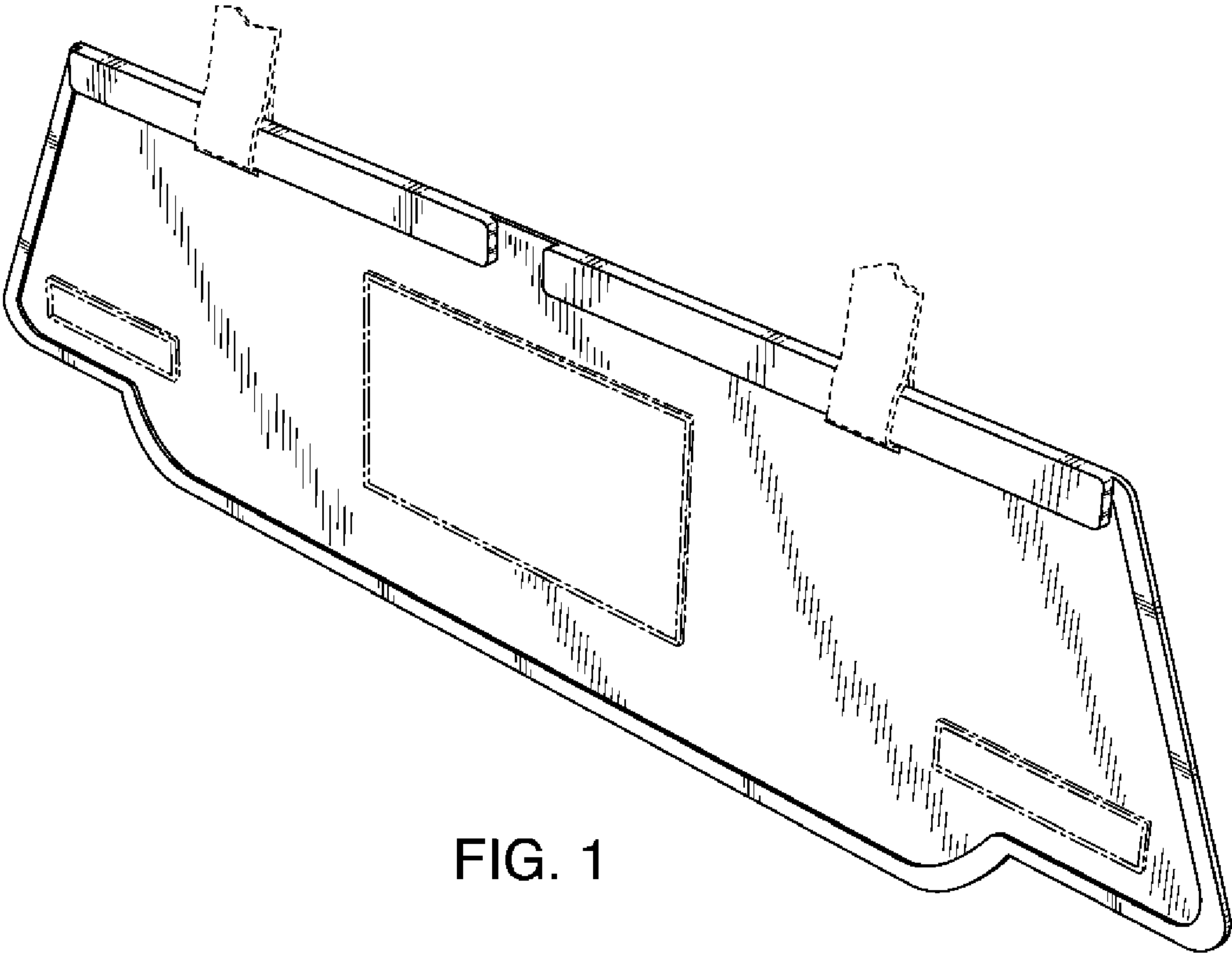


FIG. 1

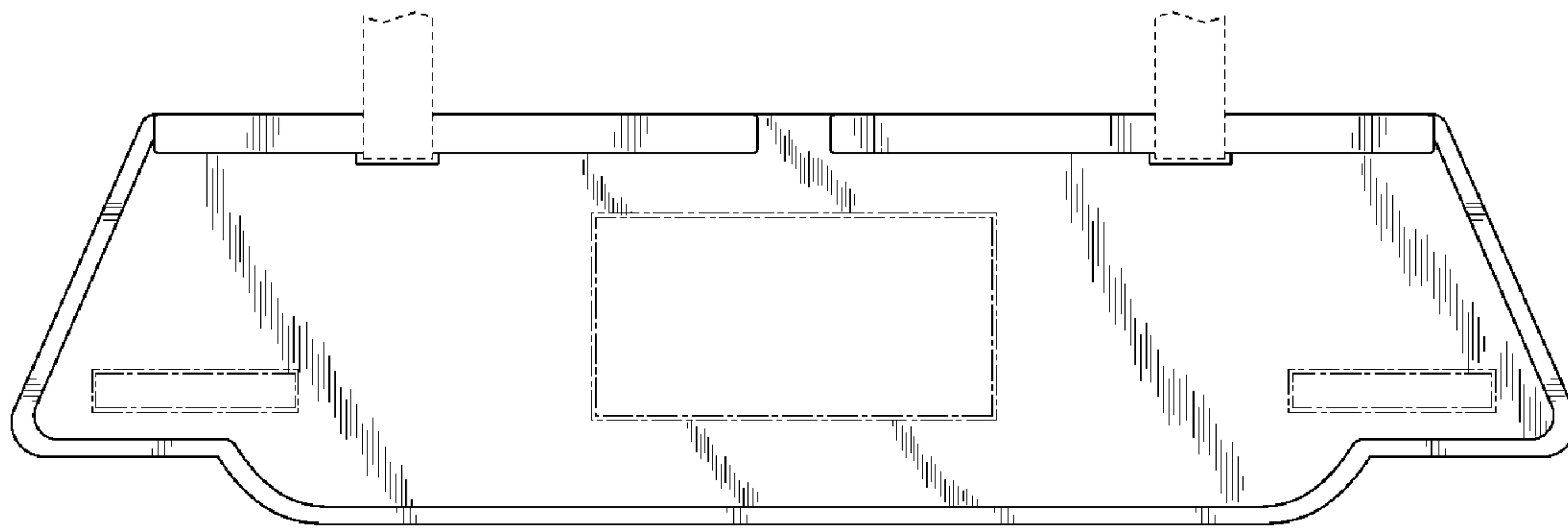


FIG. 2

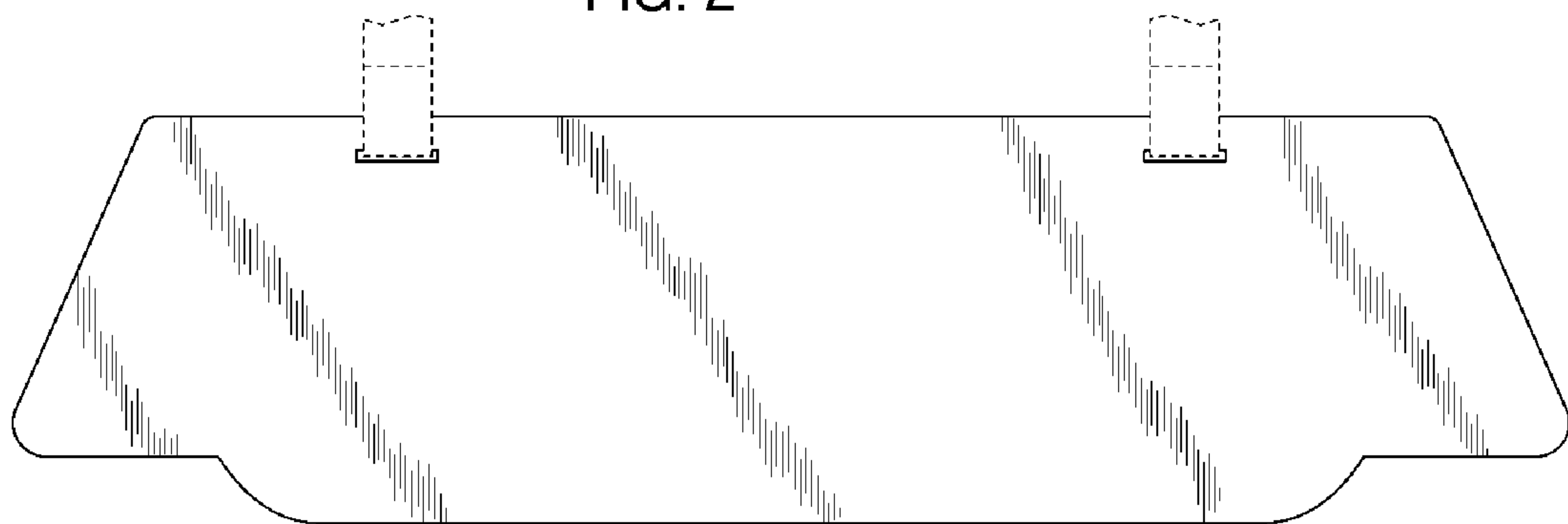


FIG. 3



FIG. 4



FIG. 5



FIG. 6

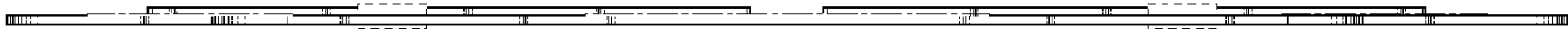


FIG. 7

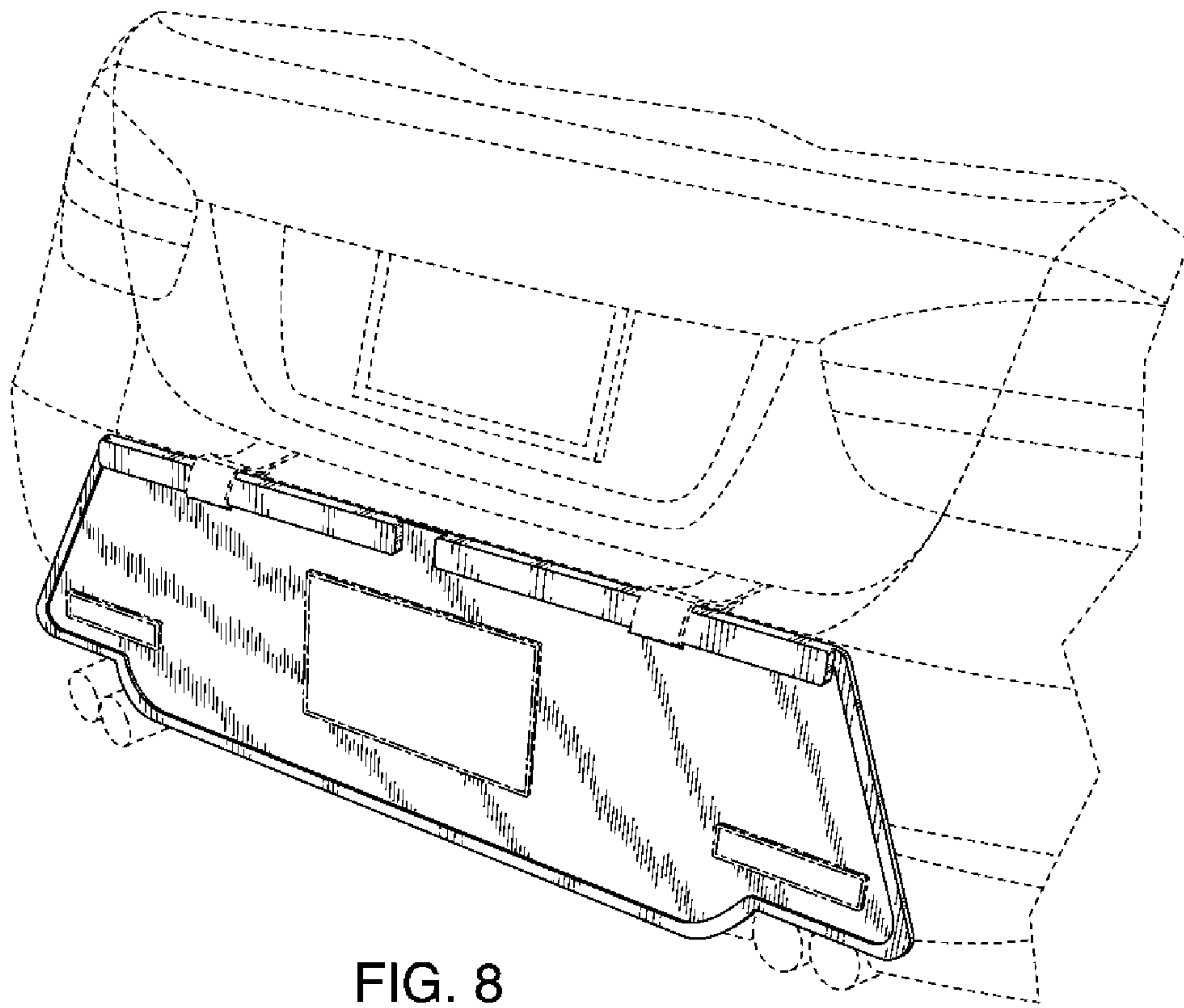


FIG. 8