



US00D617256S

(12) **United States Design Patent**
Tezak et al.

(10) **Patent No.:** **US D617,256 S**
(45) **Date of Patent:** **** Jun. 8, 2010**

(54) **VEHICLE DOOR PLATE**

(75) Inventors: **Robert J. Tezak**, Carol Stream, IL (US);
James E. Brown, Naperville, IL (US);
Nicholas J Scholtes, Shorewood, IL (US)

(73) Assignee: **Control Solutions LLC**, Aurora, IL (US)

(**) Term: **14 Years**

(21) Appl. No.: **29/351,648**

(22) Filed: **Dec. 9, 2009**

(51) **LOC (9) Cl.** **12-16**

(52) **U.S. Cl.** **D12/400**

(58) **Field of Classification Search** D12/400,
D12/401, 404, 406, 412, 414, 222, 223, 86,
D12/93, 101; 224/923, 924; 211/100, 124,
211/2, 4, 85.7; D6/552

See application file for complete search history.

(56) **References Cited**

U.S. PATENT DOCUMENTS

D442,907 S * 5/2001 Santelman D12/223
D530,260 S * 10/2006 Ma et al. D12/401
D546,751 S * 7/2007 Laatz D12/223

D601,936 S * 10/2009 Mirabal D12/223
2006/0131844 A1 * 6/2006 Trevino et al. 280/728.3
2006/0144582 A1 * 7/2006 Sekiya et al. 165/202
2006/0175050 A1 * 8/2006 Kang et al. 165/203
2006/0223431 A1 * 10/2006 Park et al. 454/156

* cited by examiner

Primary Examiner—Caron Veynar

Assistant Examiner—Katrina A Kile

(74) *Attorney, Agent, or Firm*—The Eclipse Group LLP

(57) **CLAIM**

We claim the ornamental design for a vehicle door plate, as shown and described.

DESCRIPTION

FIG. 1 is a perspective view of the vehicle door plate;

FIG. 2 is a left side view thereof;

FIG. 3 is a front view thereof;

FIG. 4 is a right side view thereof;

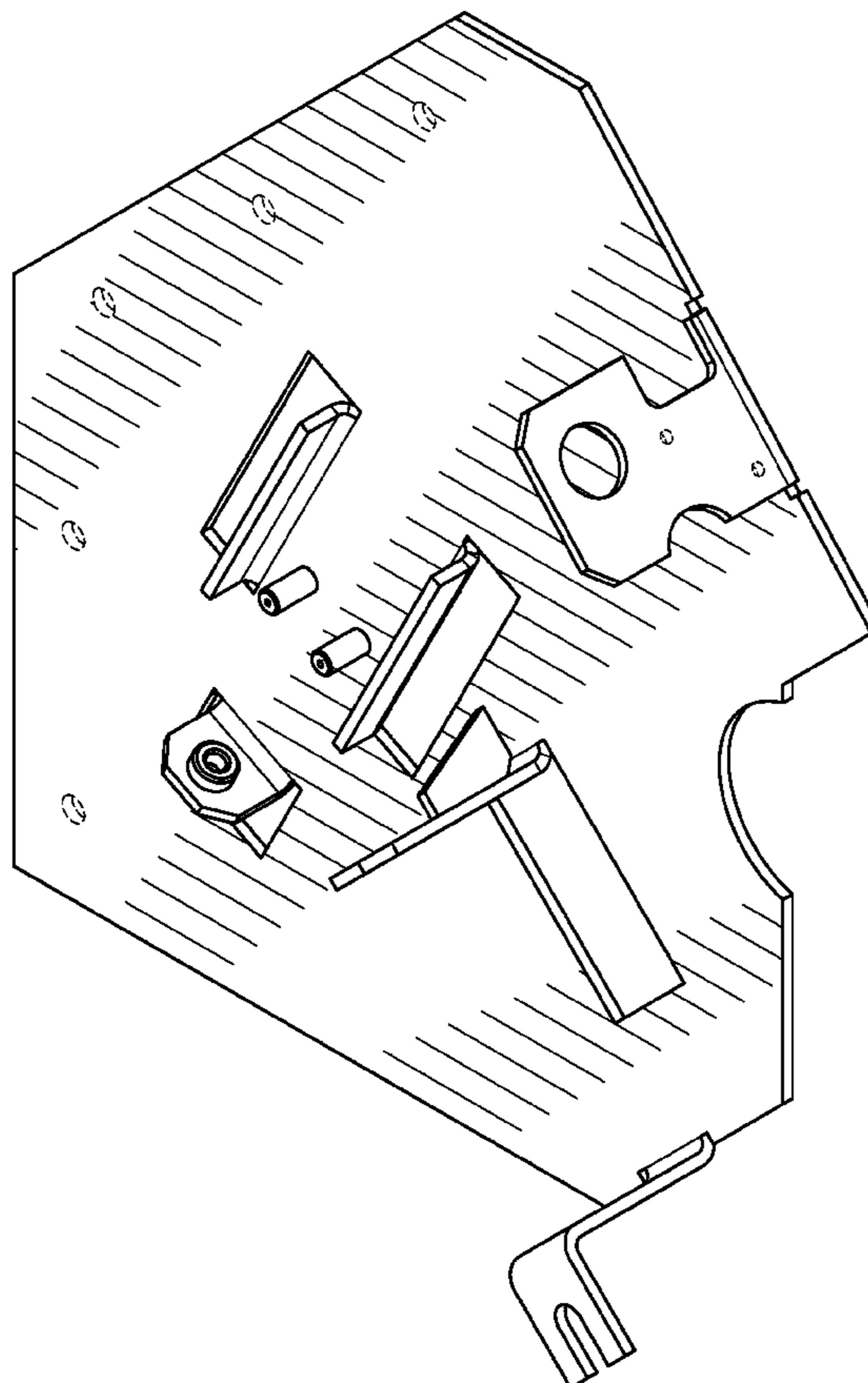
FIG. 5 is a rear view thereof;

FIG. 6 is a top view thereof; and,

FIG. 7 is a bottom view thereof.

In the drawings, the broken lines show portions of a vehicle door plate and form no part of the claimed design.

1 Claim, 4 Drawing Sheets



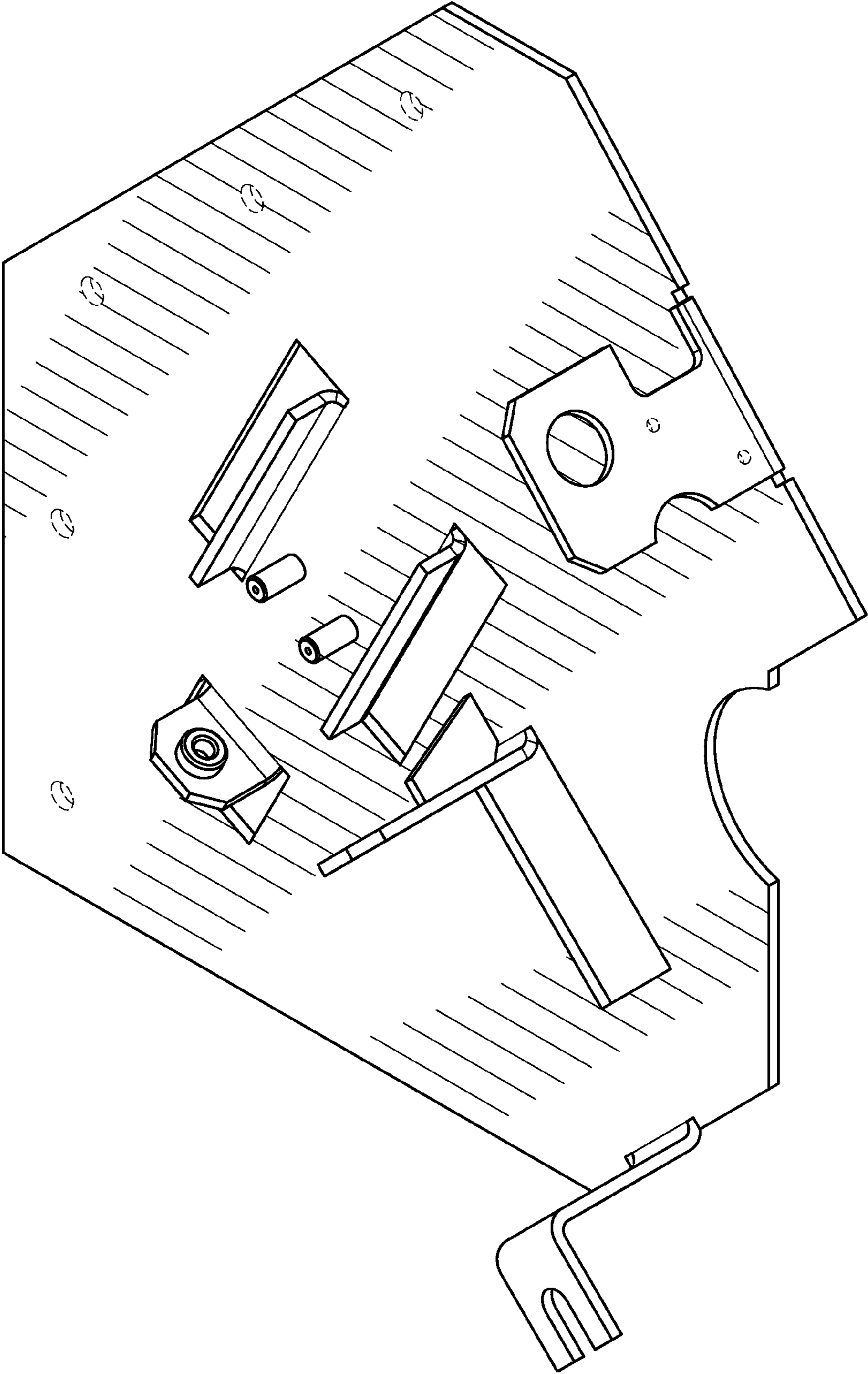


FIG. 1

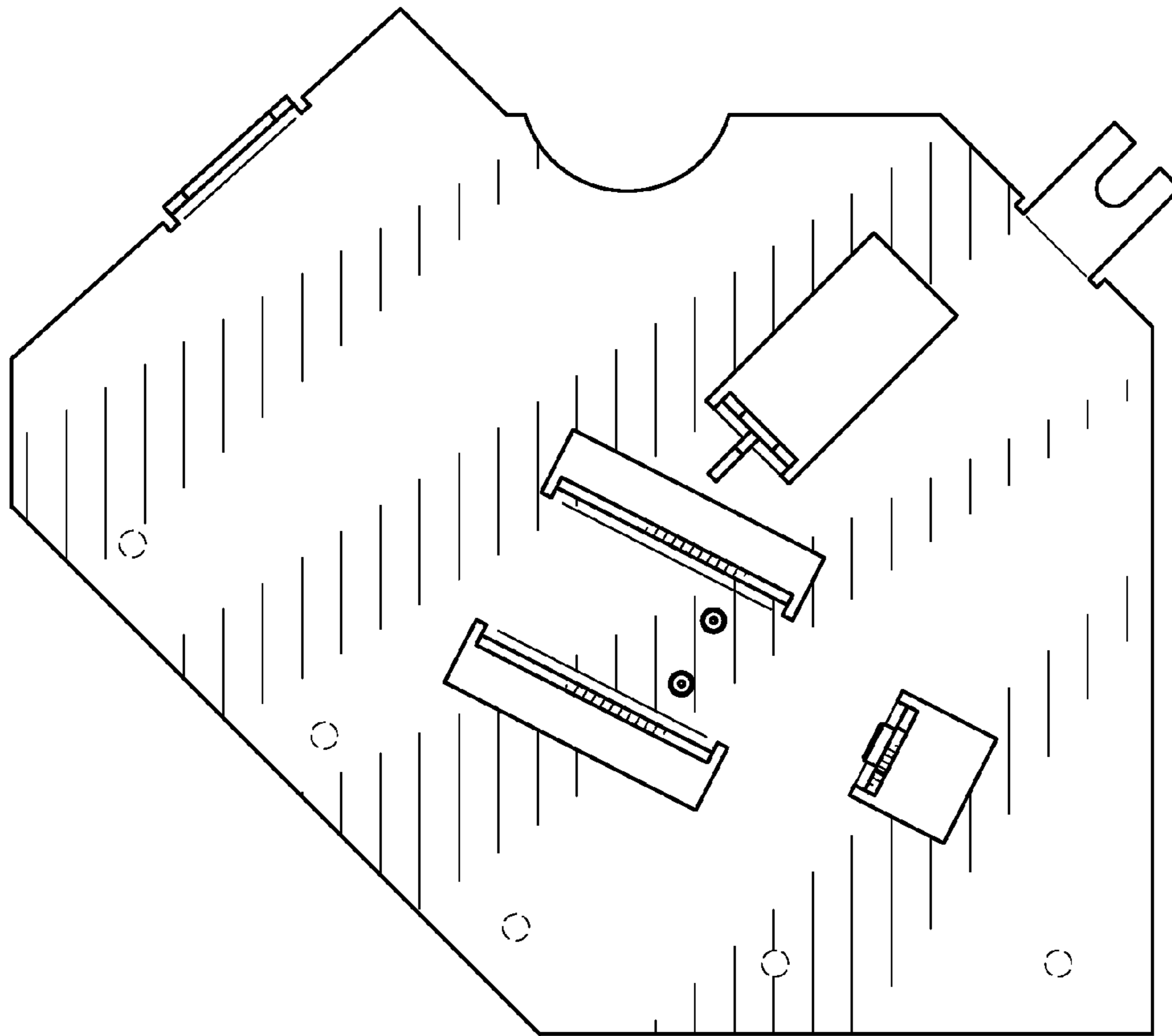


FIG. 3

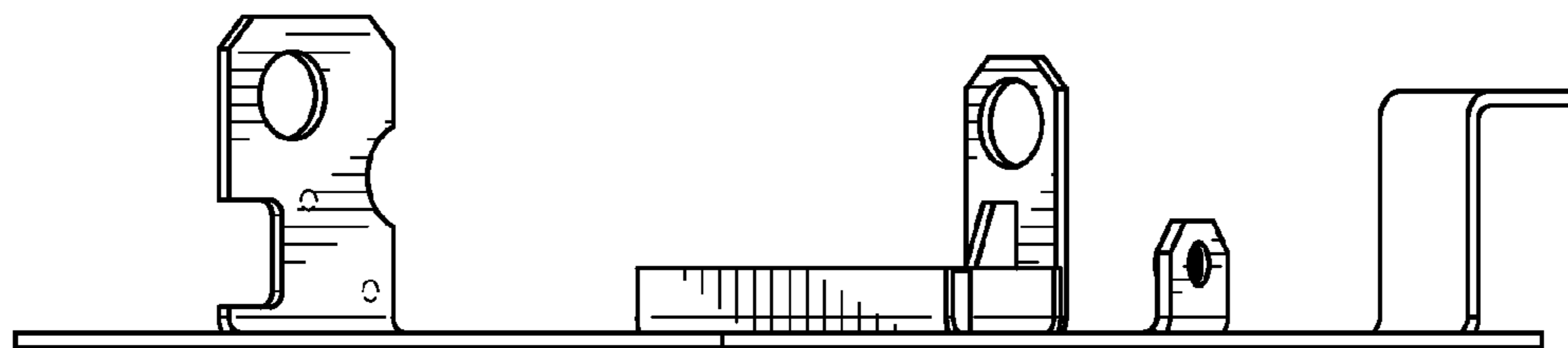


FIG. 2

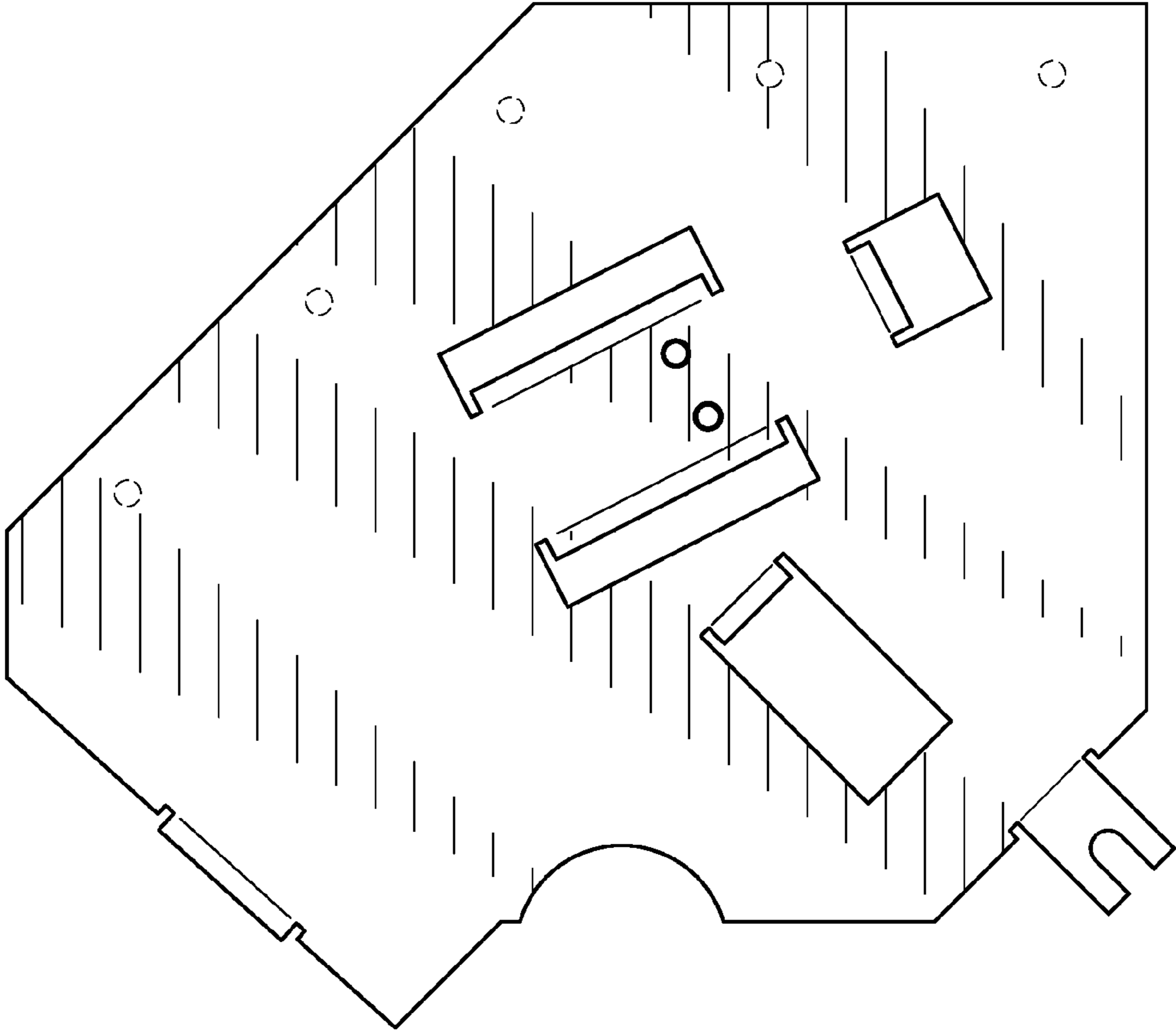


FIG. 5

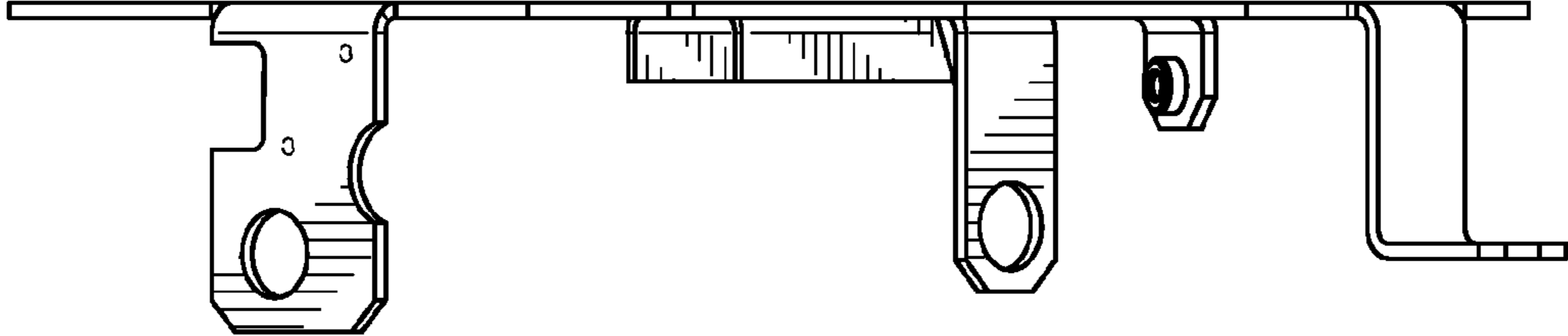


FIG. 4

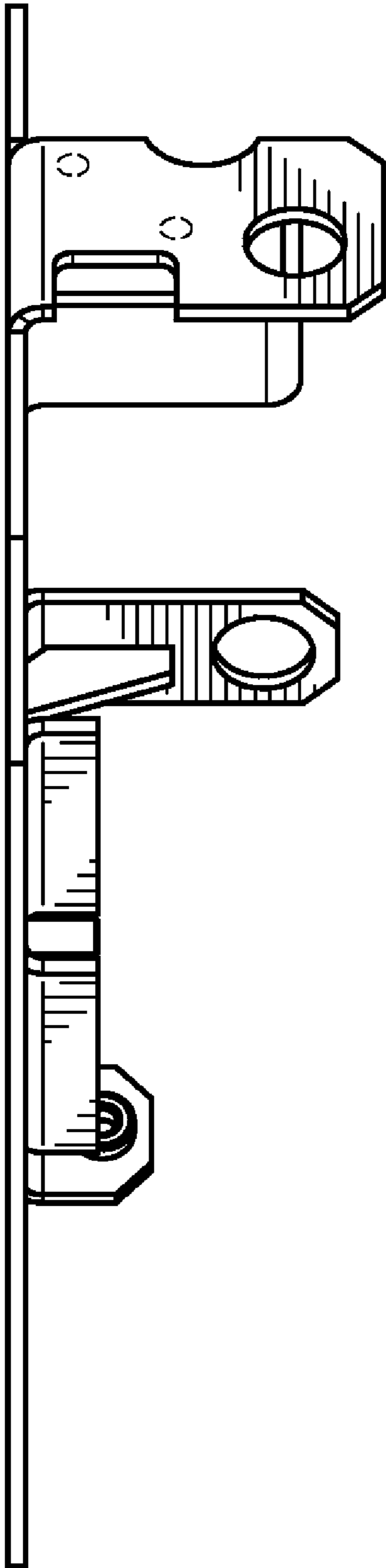


FIG. 6

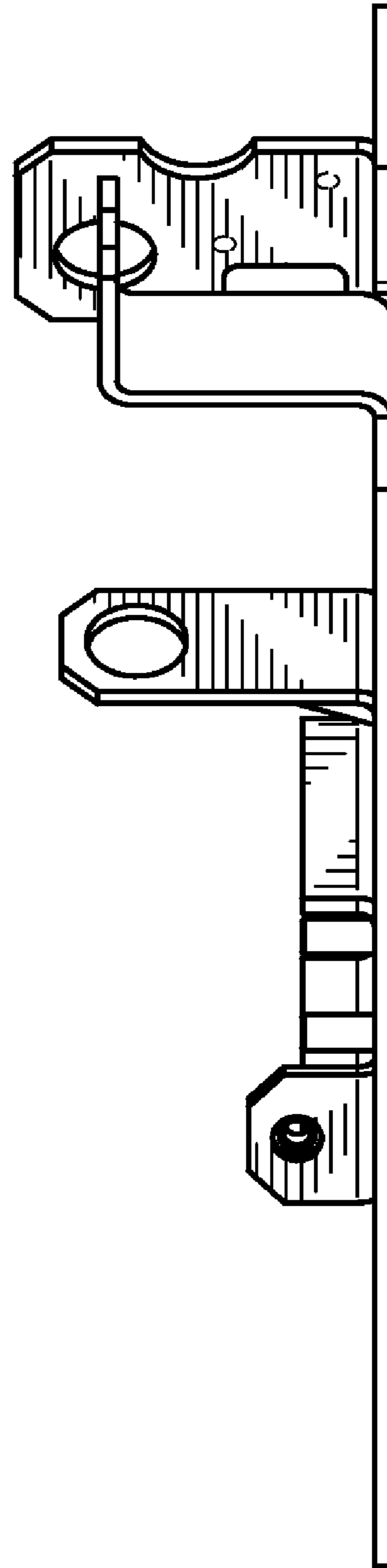


FIG. 7