



US00D617250S

(12) **United States Design Patent**
Zhao

(10) **Patent No.:** **US D617,250 S**
(45) **Date of Patent:** **** Jun. 8, 2010**

(54) **FRONT FACE OF A VEHICLE WHEEL**

(76) **Inventor:** **John Zhao**, 283 E. Garvey Ave.,
Monterey Park, CA (US) 91755

(**) **Term:** **14 Years**

(21) **Appl. No.:** **29/351,970**

(22) **Filed:** **Dec. 14, 2009**

(51) **LOC (9) Cl.** **12-16**

(52) **U.S. Cl.** **D12/211**

(58) **Field of Classification Search** D12/204-213;
301/37.101, 64.101, 65, 64.201
See application file for complete search history.

(56) **References Cited**

U.S. PATENT DOCUMENTS

D415,094 S	*	10/1999	Neeper	D12/211
D421,953 S	*	3/2000	Sims et al.	D12/211
D527,330 S	*	8/2006	Madden	D12/211
D527,333 S	*	8/2006	Blasi	D12/211
D533,827 S	*	12/2006	Aydin	D12/211
D536,653 S	*	2/2007	Rasmussen et al.	D12/211

D569,777 S	*	5/2008	Chung	D12/211
D578,455 S	*	10/2008	Pfeiffer	D12/211
D586,285 S	*	2/2009	Fridie	D12/211
D593,922 S	*	6/2009	Blasi	D12/211
D596,552 S	*	7/2009	Beermann	D12/211
D598,357 S	*	8/2009	Chung	D12/211

* cited by examiner

Primary Examiner—Stacia Cadmus

(74) *Attorney, Agent, or Firm*—Procopio, Cory, Hargreaves & Savitch LLP

(57) **CLAIM**

The ornamental design for a front face of a vehicle wheel, as shown and described.

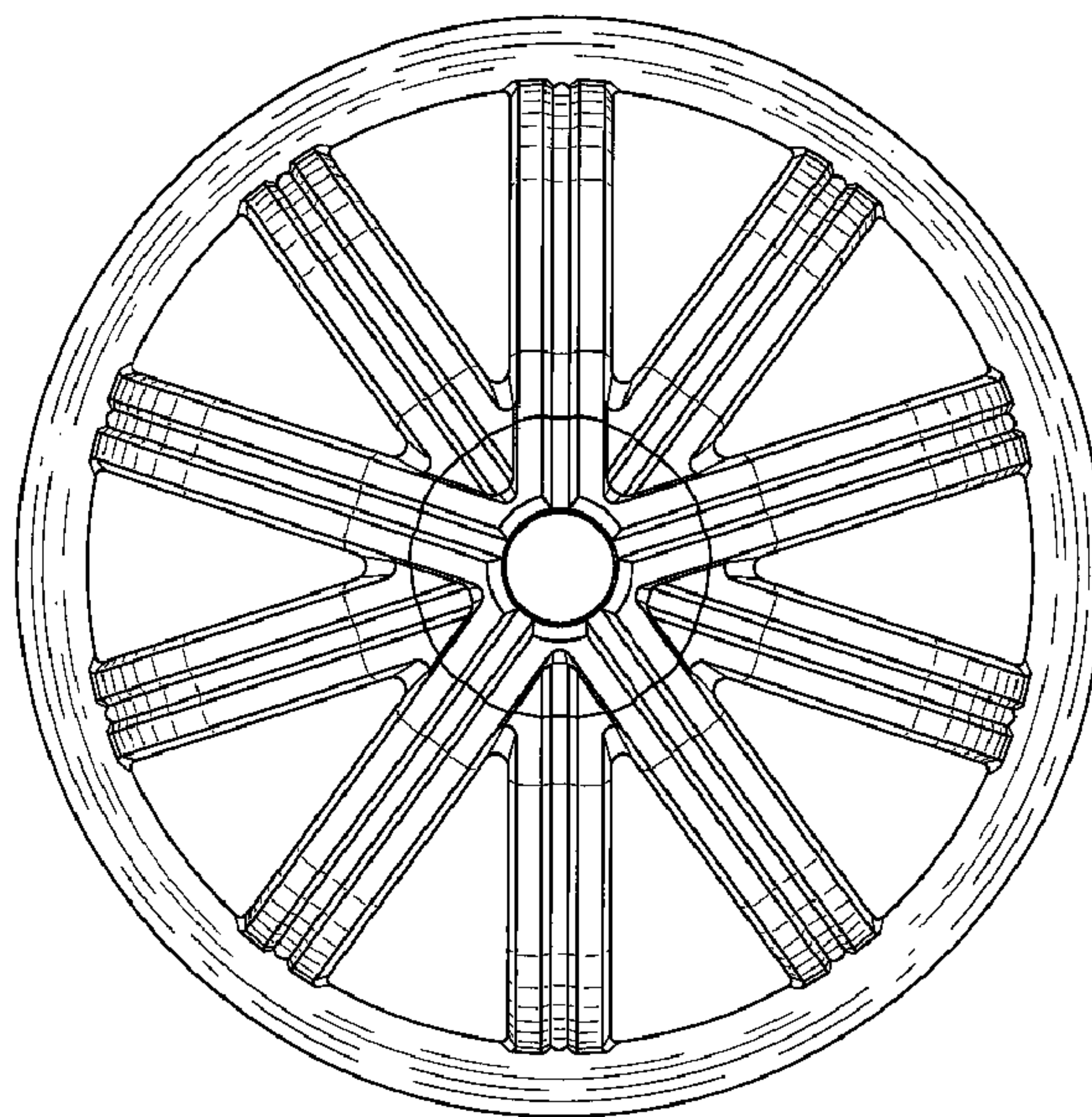
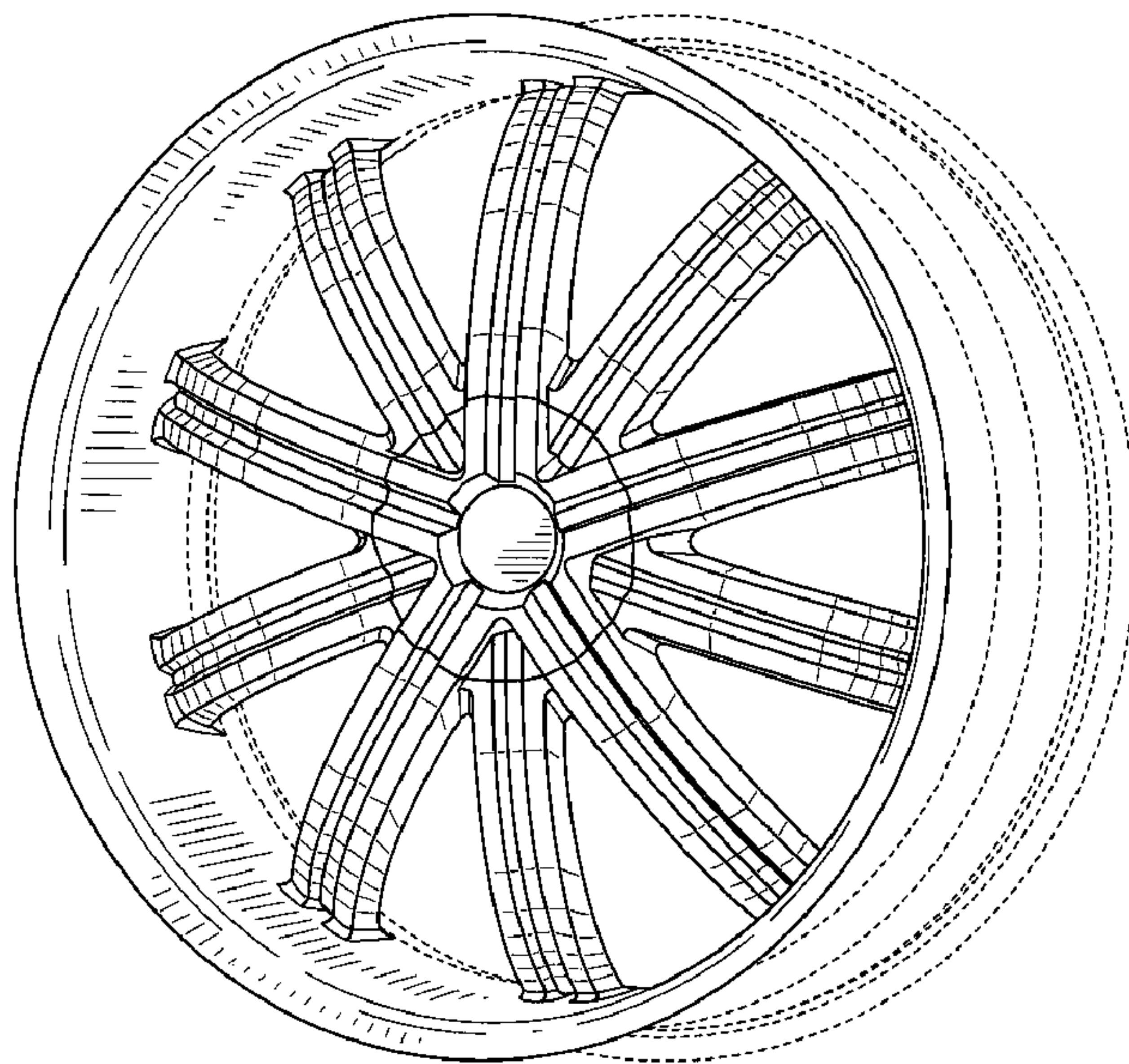
DESCRIPTION

FIG. 1 is a perspective view of a front face of a vehicle wheel embodying my new design; and,

FIG. 2 is a front view thereof.

The broken lines are for illustrative purposes only and form no part of the claimed design.

1 Claim, 2 Drawing Sheets



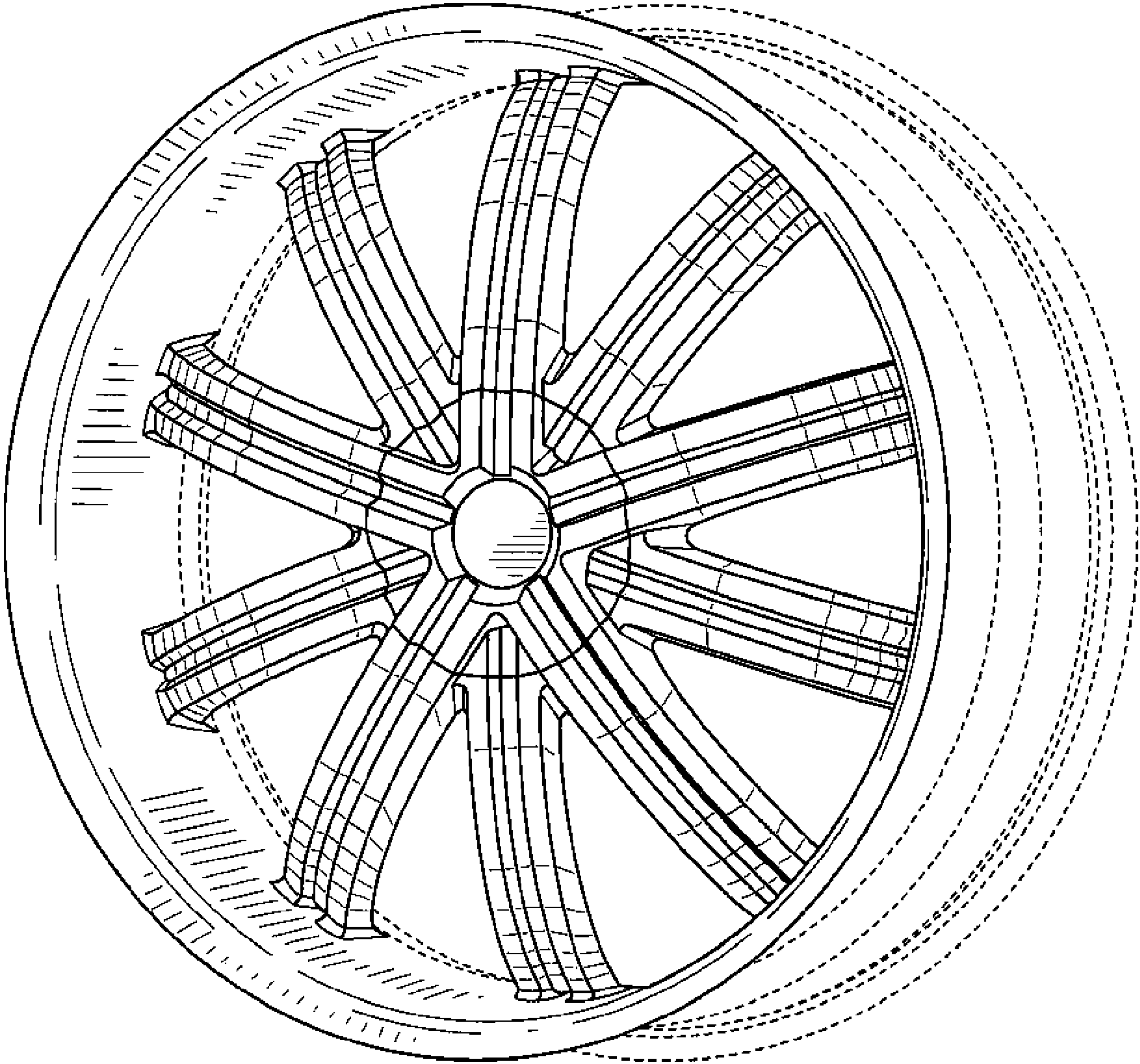


FIG. 1

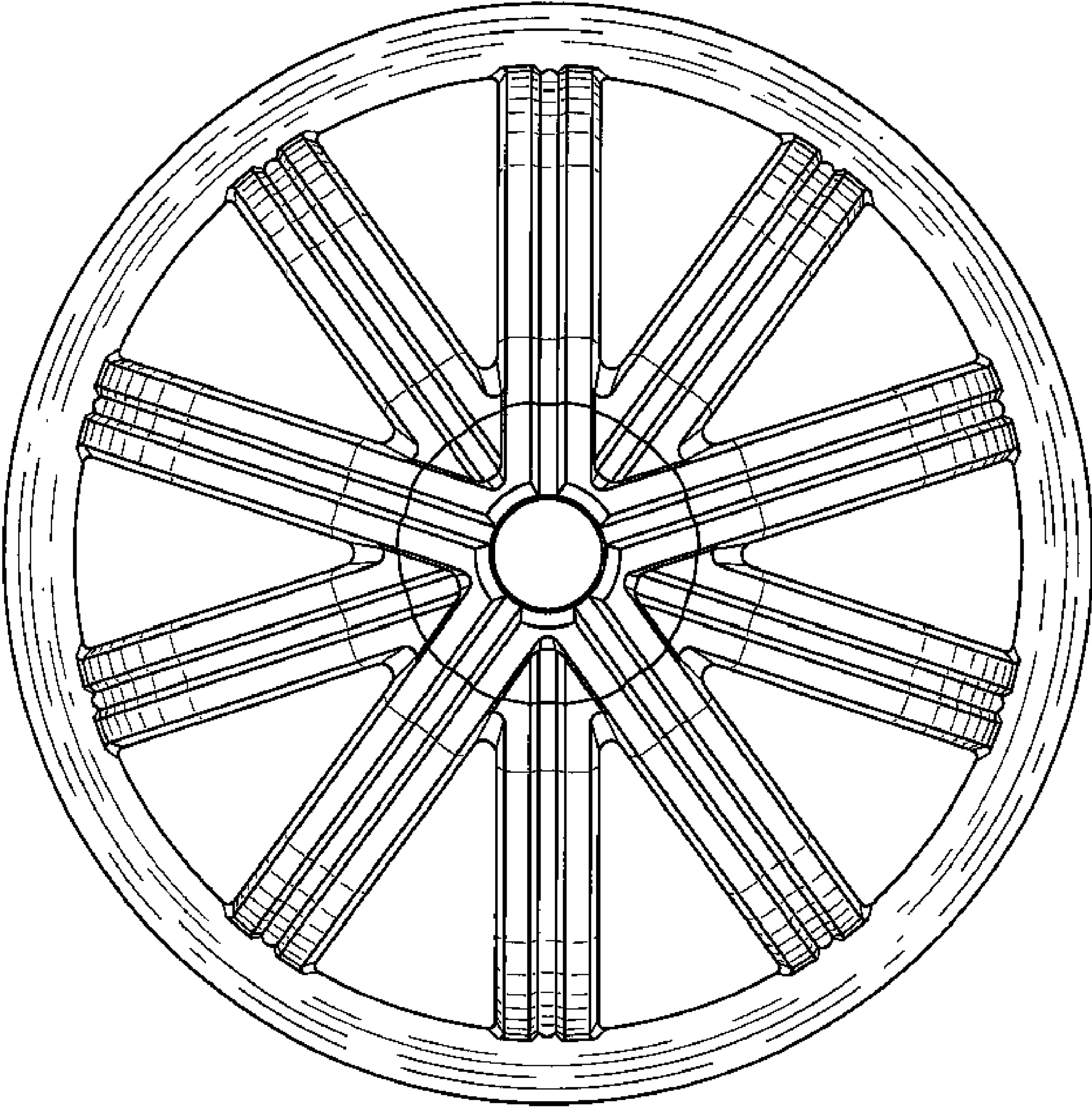


FIG. 2