



US00D617248S

(12) **United States Design Patent**  
**Zhao**

(10) **Patent No.:** **US D617,248 S**  
(45) **Date of Patent:** **\*\* Jun. 8, 2010**

(54) **FRONT FACE OF A VEHICLE WHEEL**

(76) Inventor: **John Zhao**, 263 E. Garvey Ave.,  
Monterey Park, CA (US) 91755

(\*\*) Term: **14 Years**

(21) Appl. No.: **29/352,759**

(22) Filed: **Dec. 24, 2009**

(51) **LOC (9) Cl.** ..... **12-16**

(52) **U.S. Cl.** ..... **D12/209**

(58) **Field of Classification Search** ..... D12/204-213;  
301/37.101, 64.101, 65, 64.201

See application file for complete search history.

(56) **References Cited**

U.S. PATENT DOCUMENTS

D447,106 S *	8/2001	Chung	.....	D12/209
D460,729 S *	7/2002	Khan	.....	D12/209
D461,155 S *	8/2002	Takechi	.....	D12/209
D481,347 S *	10/2003	Kang	.....	D12/211
D488,422 S *	4/2004	Hartanto	.....	D12/209
D496,317 S *	9/2004	Kataoka	.....	D12/209
D504,102 S *	4/2005	Cheng	.....	D12/211
D512,949 S *	12/2005	Ettensberger	.....	D12/211
D523,386 S *	6/2006	Khan	.....	D12/209

D526,609 S *	8/2006	Hosoi	.....	D12/209
D531,562 S *	11/2006	Kim	.....	D12/209
D540,730 S *	4/2007	Musser	.....	D12/209
D548,167 S *	8/2007	Groom	.....	D12/211
D581,850 S *	12/2008	Leclercq	.....	D12/209
D591,663 S *	5/2009	Chung	.....	D12/211
D592,118 S *	5/2009	Chung	.....	D12/209
D604,683 S *	11/2009	Hosai	.....	D12/209

\* cited by examiner

*Primary Examiner*—Stacia Cadmus

(74) *Attorney, Agent, or Firm*—Procopio, Cory, Hargreaves  
& Savitch LLP

(57) **CLAIM**

The ornamental design for a front face of a vehicle wheel, as shown and described.

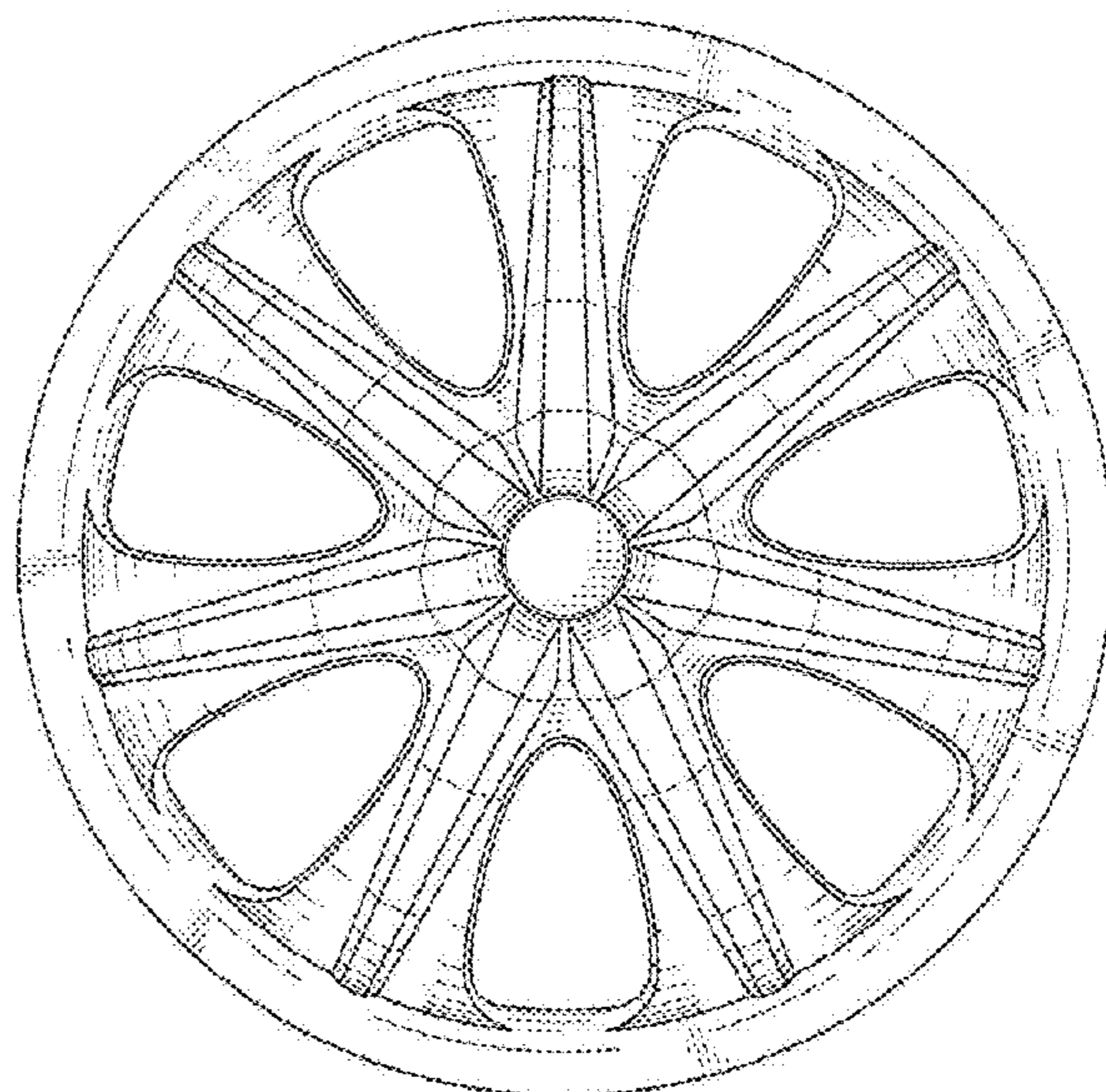
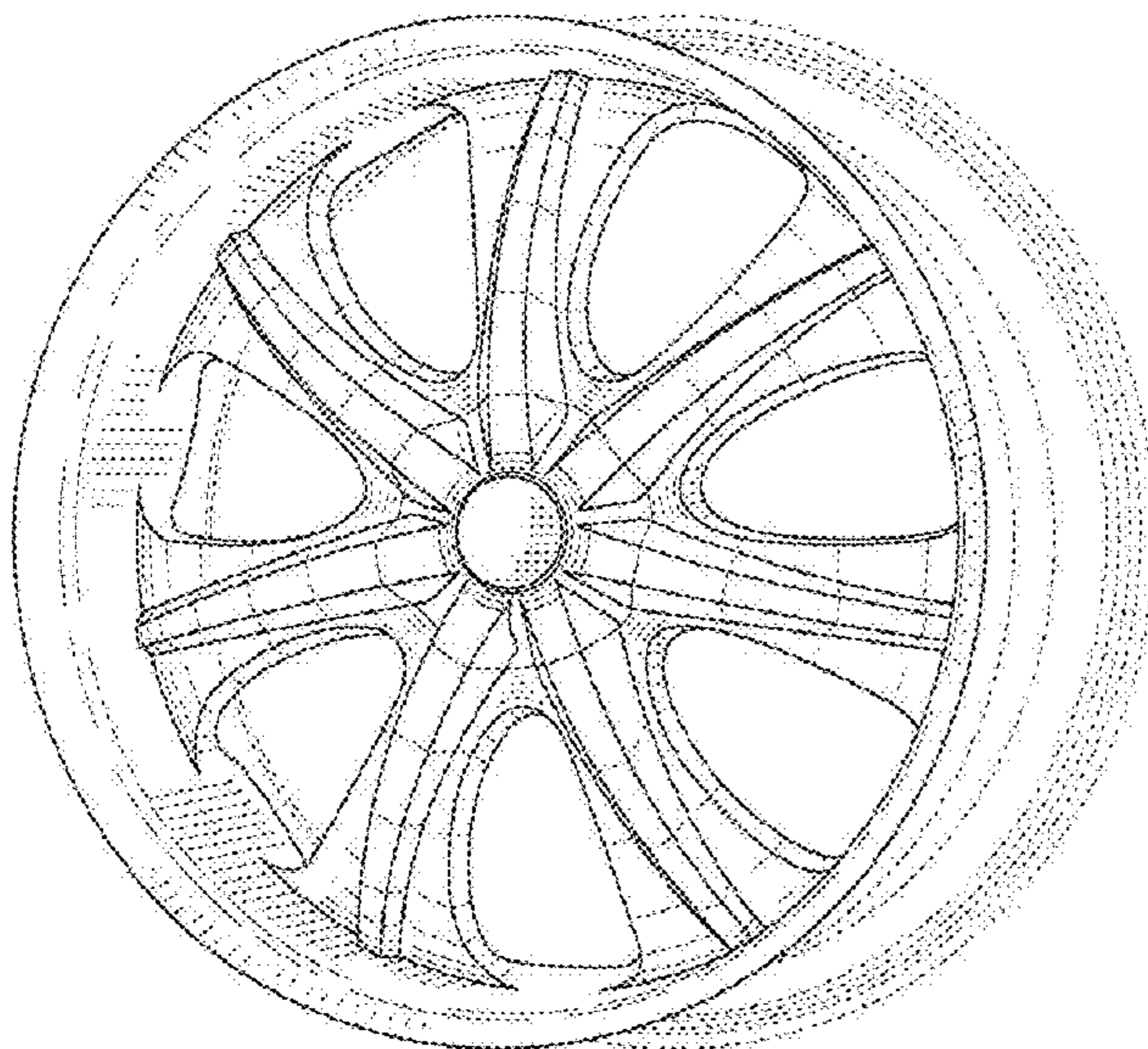
**DESCRIPTION**

FIG. 1 is a perspective view of a front face of a vehicle wheel embodying my new design; and,

FIG. 2 is a front view thereof.

The broken lines are for illustrative purposes only and form no part of the claimed design.

**1 Claim, 2 Drawing Sheets**



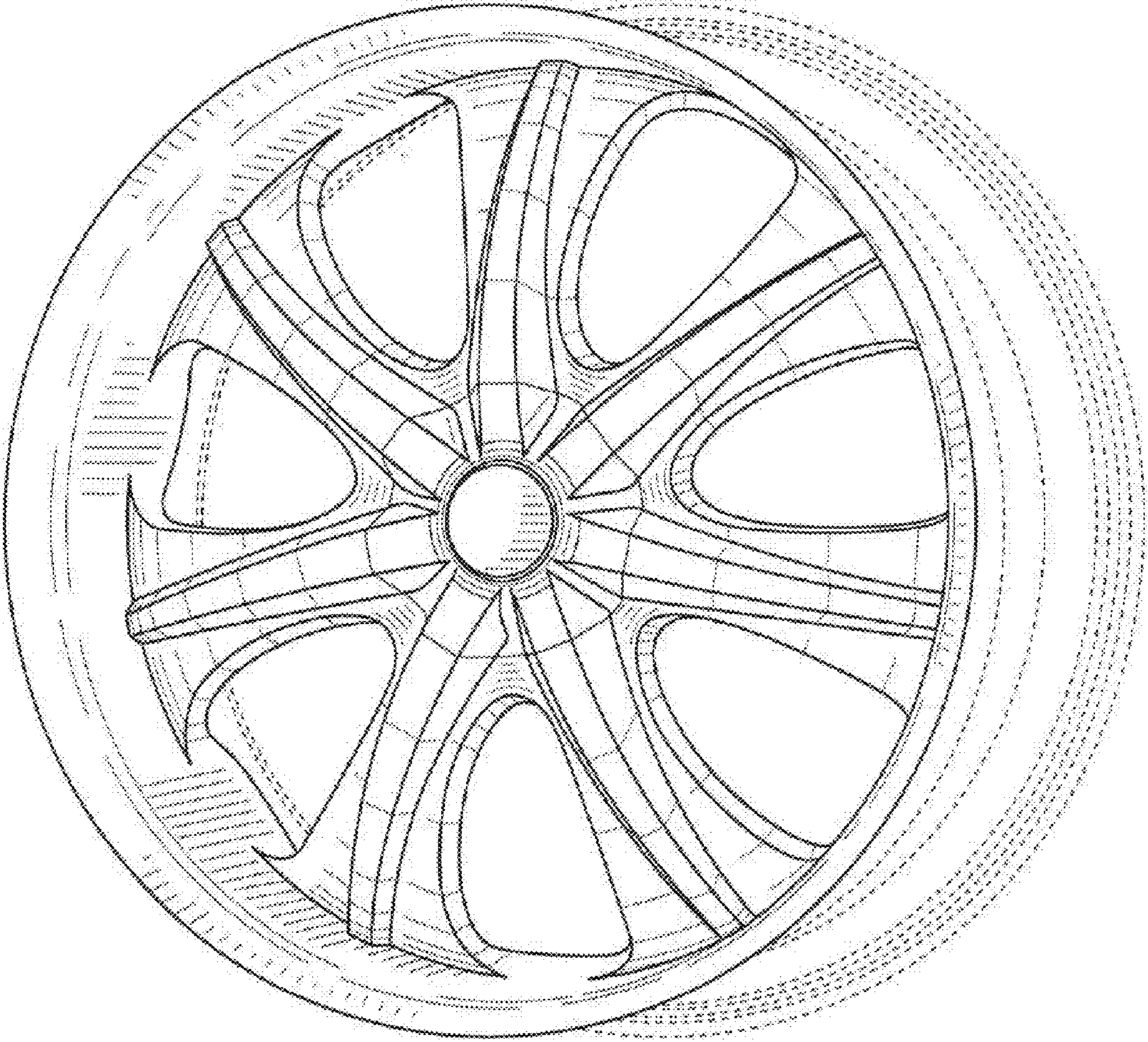


FIG. 1

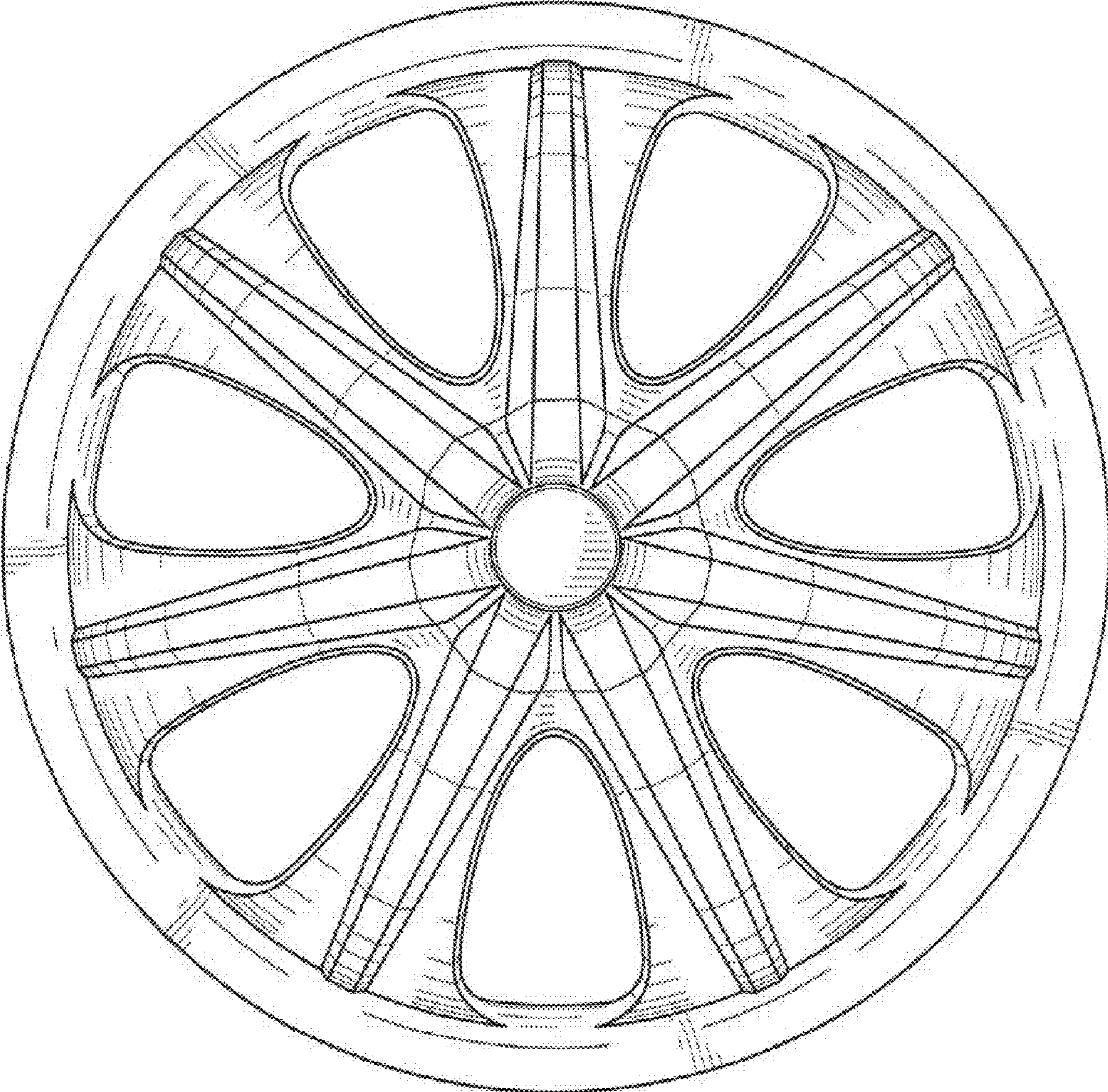


FIG. 2