



US00D617243S

(12) **United States Design Patent**
Juergens et al.

(10) **Patent No.:** **US D617,243 S**
(45) **Date of Patent:** **** Jun. 8, 2010**

(54) **WHEEL OR WHEEL COVER**

D603,318 S 11/2009 Luciani et al.
D608,713 S * 1/2010 Bucher et al. D12/209

(75) Inventors: **Dirk Juergens**, Munich (DE); **Rainer Mueller**, Munich (DE)

FOREIGN PATENT DOCUMENTS

(73) Assignee: **Bayerische Motoren Werke Aktiengesellschaft**, Munich (DE)

DE	40104441.6	9/2001
EM	000226436-0001	11/2004
EM	000735758-0006	7/2007
EM	000934468-0003	10/2009
EM	000825609-0002	11/2009
EM	001099592-0003	11/2009
EM	001598277-0006	1/2010
EM	001598277-0007	1/2010
EM	001598277-0008	1/2010

(**) Term: **14 Years**

* cited by examiner

(21) Appl. No.: **29/350,138**

Primary Examiner—Stacia Cadmus

(22) Filed: **Nov. 12, 2009**

(74) *Attorney, Agent, or Firm*—Crowell & Moring LLP

(30) **Foreign Application Priority Data**

May 13, 2009 (DE) 402009002491

(51) **LOC (9) Cl.** **12-16**

(52) **U.S. Cl.** **D12/209**

(58) **Field of Classification Search** D12/204–213;
301/37.101, 64.101, 65, 64.201

See application file for complete search history.

(57) **CLAIM**

The ornamental design for a wheel or wheel cover, as shown and described.

(56) **References Cited**

DESCRIPTION

U.S. PATENT DOCUMENTS

This application contains subject matter related to the following pending U.S. design patent applications:

D472,866 S	*	4/2003	Pfeiffer et al.	D12/211
D492,235 S		6/2004	Nordmann		
D516,988 S		3/2006	Laengerer		
D522,438 S	*	6/2006	Kern	D12/209
D540,240 S	*	4/2007	Kountouras	D12/211
D567,167 S		4/2008	Forster		
D579,397 S	*	10/2008	Osborne	D12/211
D580,842 S	*	11/2008	Kim	D12/211
D581,853 S	*	12/2008	Rak	D12/211
D584,672 S	*	1/2009	Osborne	D12/209
D585,354 S		1/2009	Powell et al.		
D587,181 S	*	2/2009	Musser	D12/209
D589,425 S		3/2009	Theiss		
D594,802 S	*	6/2009	Gustafsson	D12/211
D601,075 S	*	9/2009	Szavits	D12/211

Application Ser. No. 29/347,014;

Application Ser. No. 29/347,015; and

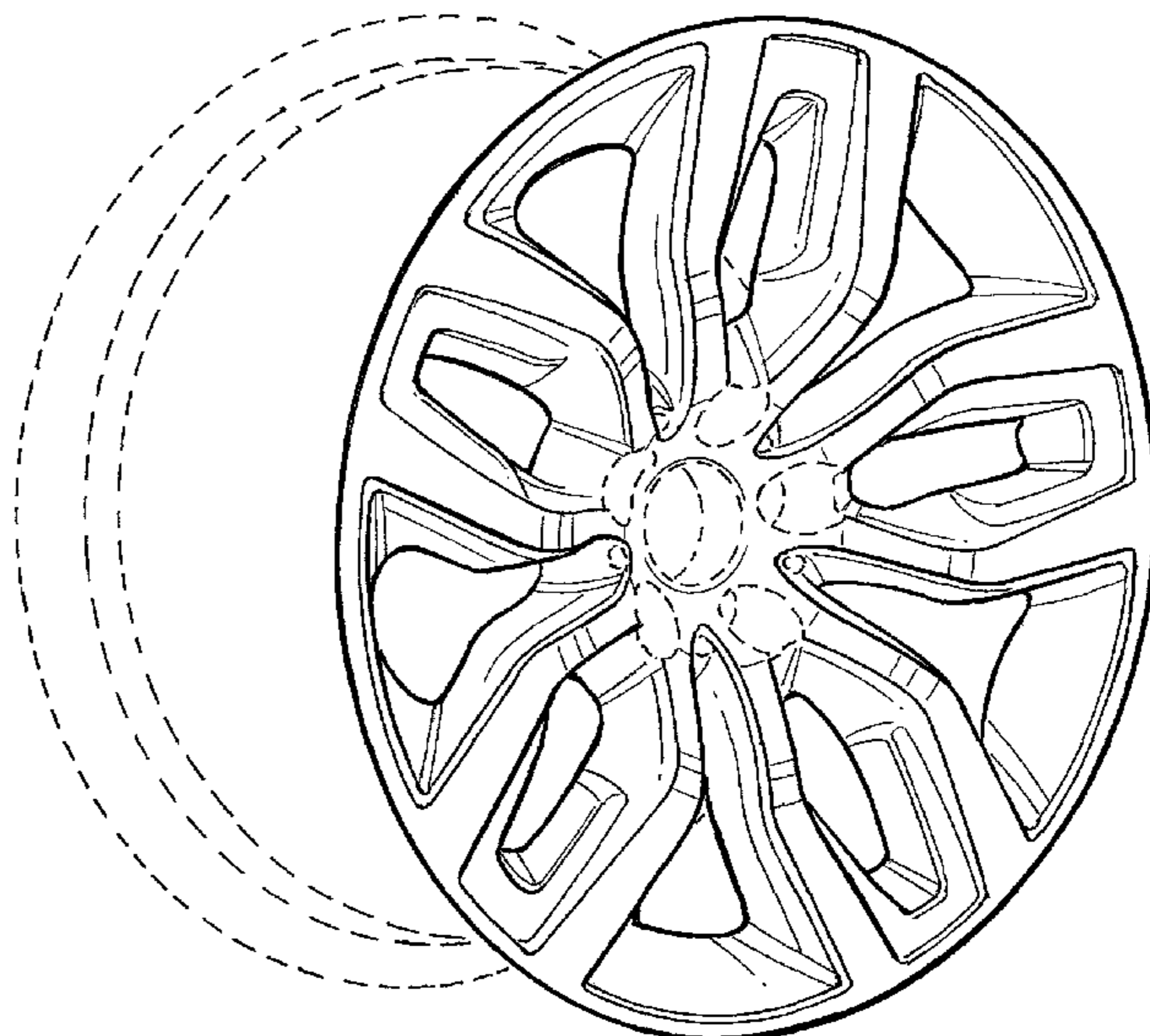
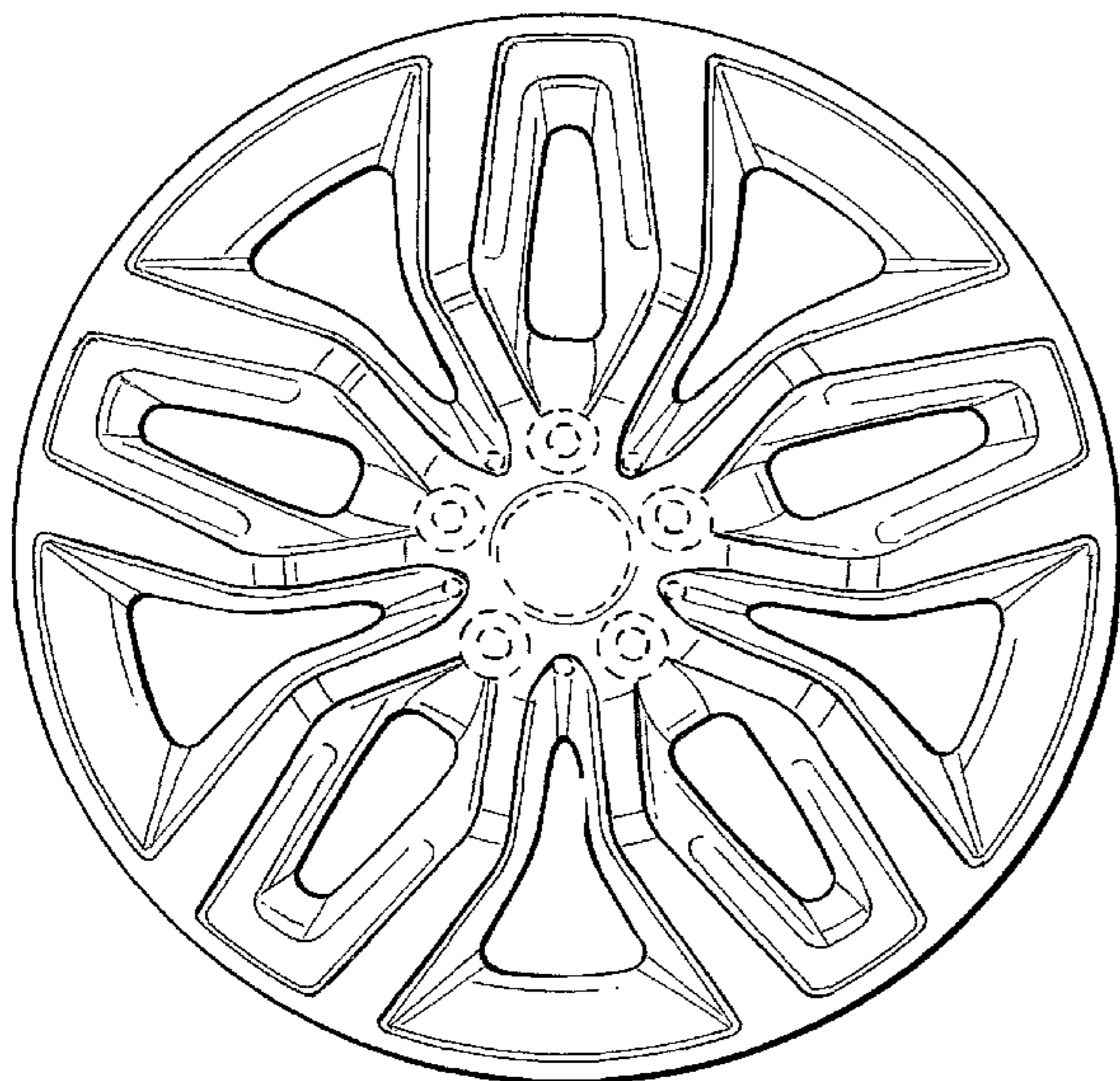
Application Ser. No. 29/347,016.

FIG. 1 is a front view of a wheel or wheel cover according to our design; and,

FIG. 2 is a perspective view thereof.

The broken line showing of the rear of the rim and the bolt holes and center hole in the central hub area is included for the purpose of illustrating environment and forms no part of the claimed design.

1 Claim, 1 Drawing Sheet



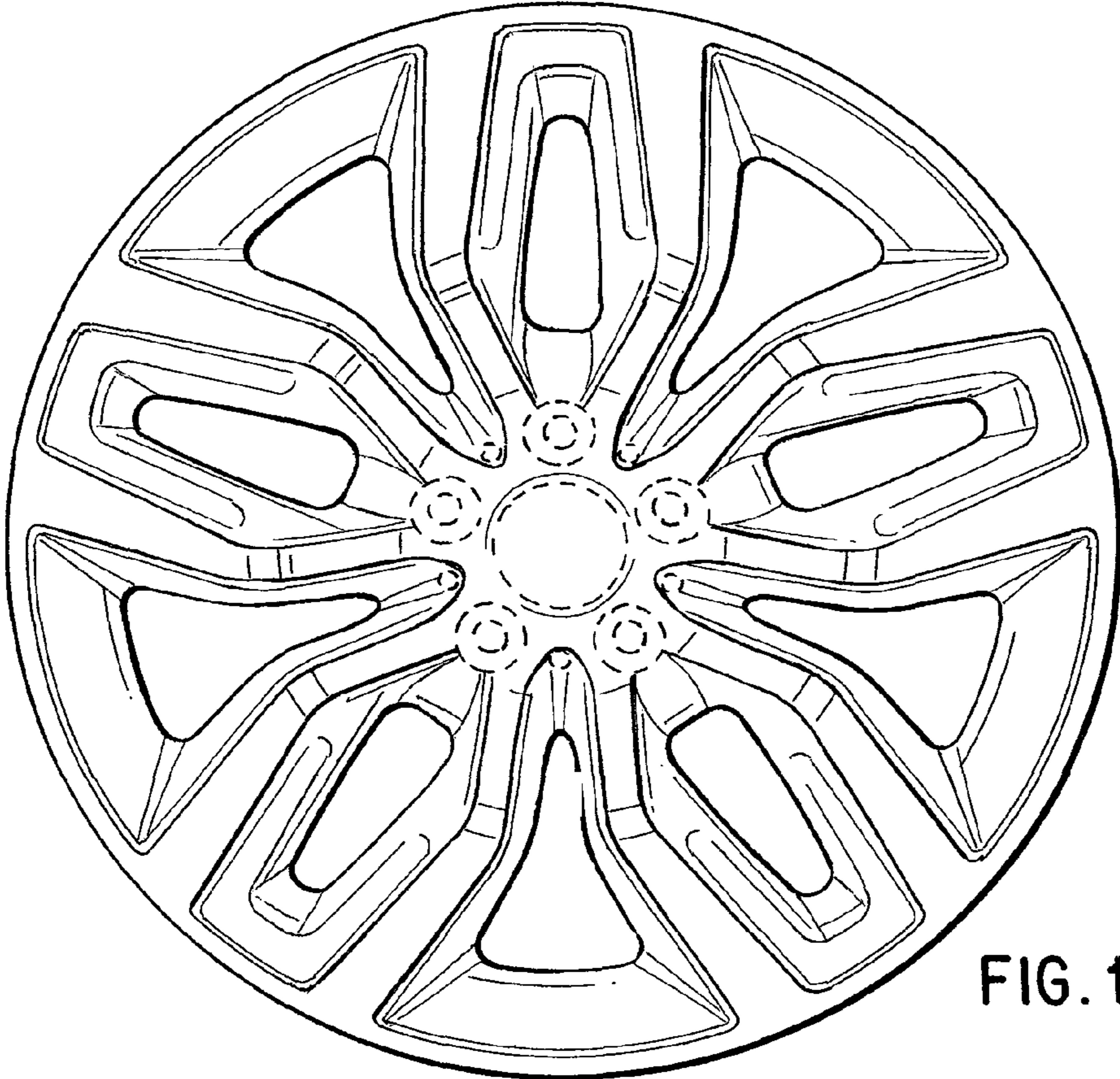


FIG. 1

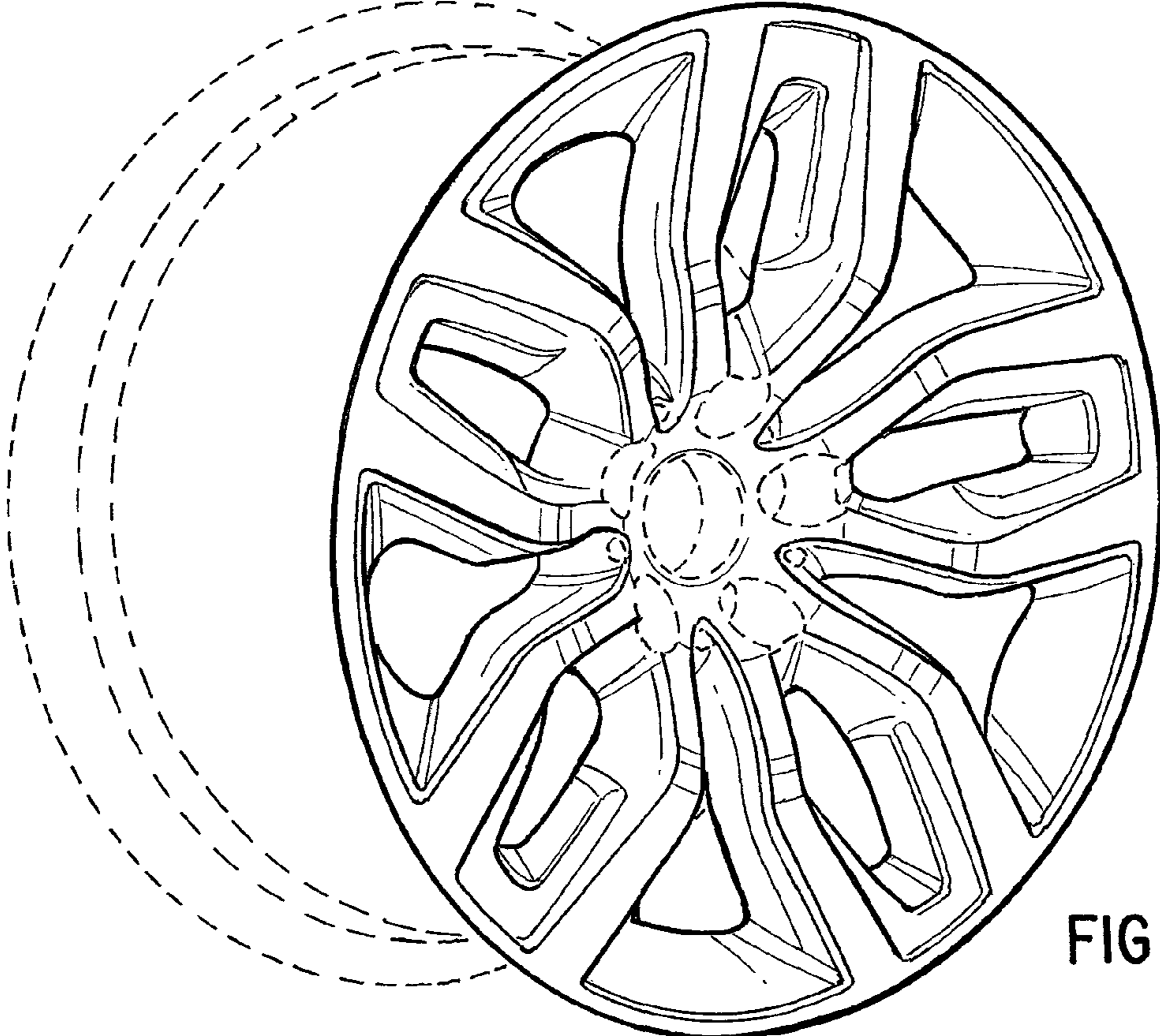


FIG. 2