



US00D617242S

(12) **United States Design Patent**
Lackore et al.

(10) **Patent No.:** **US D617,242 S**
(45) **Date of Patent:** **** Jun. 8, 2010**

(54) **VEHICLE CAB**

(75) Inventors: **James Roger Lackore**, Appleton, WI (US); **Darren J. Chilton**, Royal Oak, MI (US)

(73) Assignee: **Pierce Manufacturing Company**, Appleton, WI (US)

(**) Term: **14 Years**

(21) Appl. No.: **29/272,848**

(22) Filed: **Feb. 20, 2007**

(51) **LOC (9) Cl.** **12-08**

(52) **U.S. Cl.** **D12/190; D12/99**

(58) **Field of Classification Search** D12/196,
D12/184, 93, 96, 173, 180, 95, 190, 182,
D12/203; 280/152.1, 847-849, 851, 153.1;
D7/387, 213, 406, 668; 126/192; D8/330;
293/118, 128

See application file for complete search history.

(56) **References Cited**

U.S. PATENT DOCUMENTS

587,037	A *	7/1897	Hoadley	184/39.1
D47,868	S *	9/1915	Thoeming	D25/121
D182,492	S *	4/1958	Baxter	D12/92
4,529,244	A *	7/1985	Zaydel	296/191
D323,480	S *	1/1992	Taylor	D12/167
5,501,567	A	3/1996	Lanzdorf et al.	
D411,816	S *	7/1999	Reynard et al.	D12/96
D424,496	S *	5/2000	Damon et al.	D12/196
D437,570	S *	2/2001	Meryman et al.	D12/96
D477,767	S *	7/2003	Burdett et al.	D8/330
6,883,815	B2	4/2005	Archer	
D508,446	S *	8/2005	Westenskow	D12/186
D512,790	S *	12/2005	Handsaker et al.	D26/28
7,073,847	B2	7/2006	Morrow et al.	
D540,218	S *	4/2007	Sekiguchi	D12/96
7,207,582	B2 *	4/2007	Siebers et al.	280/124.109
D545,260	S *	6/2007	Beigel et al.	D12/196
D578,944	S *	10/2008	Dolan et al.	D12/196
D584,668	S *	1/2009	Raghavendran et al.	D12/184

2005/0253344	A1	11/2005	Trinkner et al.
2006/0037760	A1	2/2006	Froland et al.
2006/0065411	A1	3/2006	Linsmeier et al.
2006/0180322	A1	8/2006	Archer et al.

OTHER PUBLICATIONS

Rosco, Integrastyle School Bus Mirrors, undated.
Pierce, Quantum® Chassis, bearing a designation “© 2005 Pierce Manufacturing Inc.”.
Pierce, Arrow XT Chassis, bearing a designation “© 2006 Pierce Manufacturing Inc.”.
Pierce, Lance® Chassis, bearing a designation “© 2005 Pierce Manufacturing Inc.”.
Pierce, Enforcer® Chassis, bearing a designation “© 2005 Pierce Manufacturing Inc.”.
Pierce, Pumpers, bearing a designation “8/06”.
Pierce, Custom Chassis, bearing a designation “8/06”.
Mainstreet, vol. 3, No. 1, Spring 2005.

* cited by examiner

Primary Examiner—Robert M Spear
Assistant Examiner—Cynthia Underwood
(74) *Attorney, Agent, or Firm*—Foley & Lardner LLP

(57) **CLAIM**

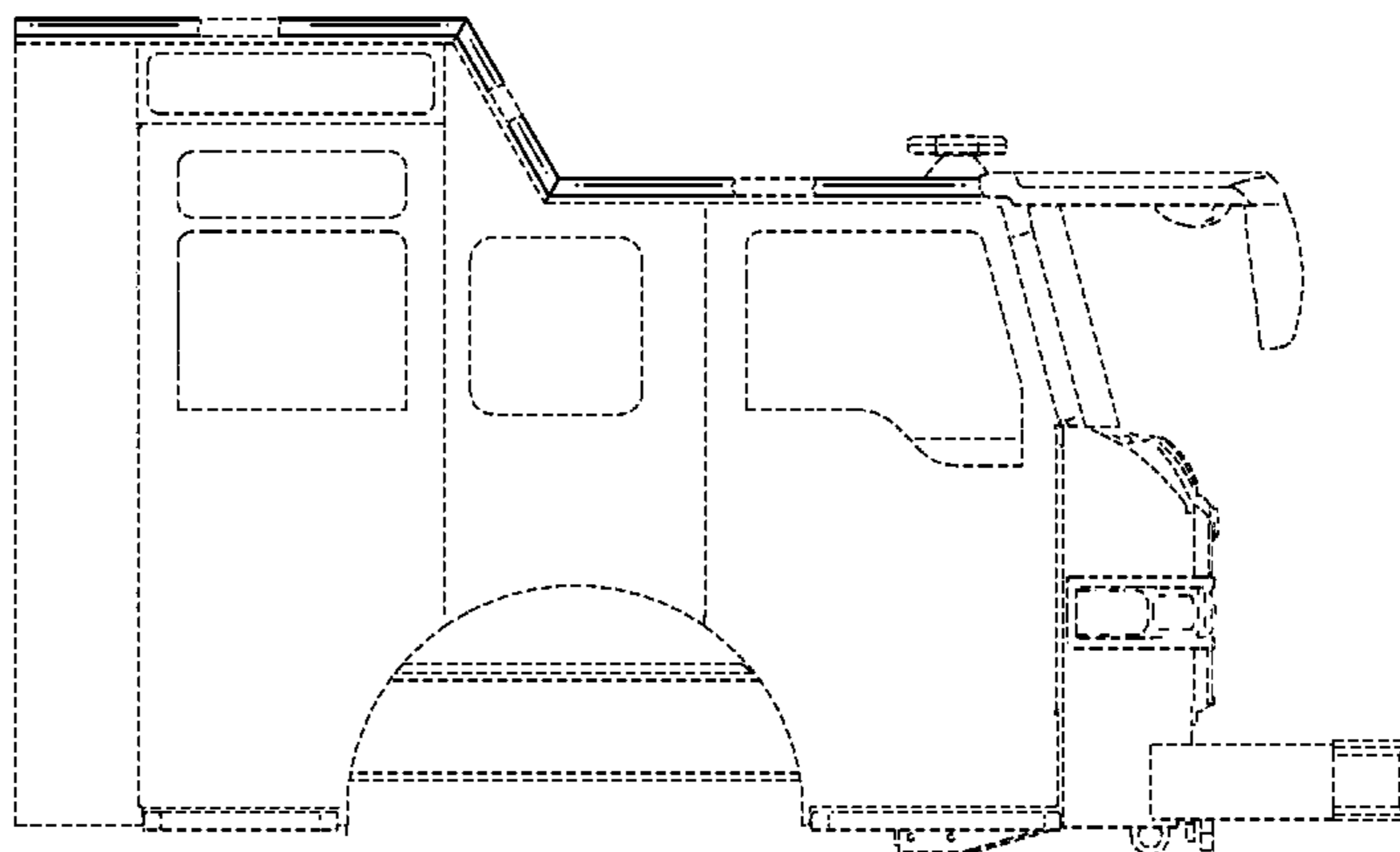
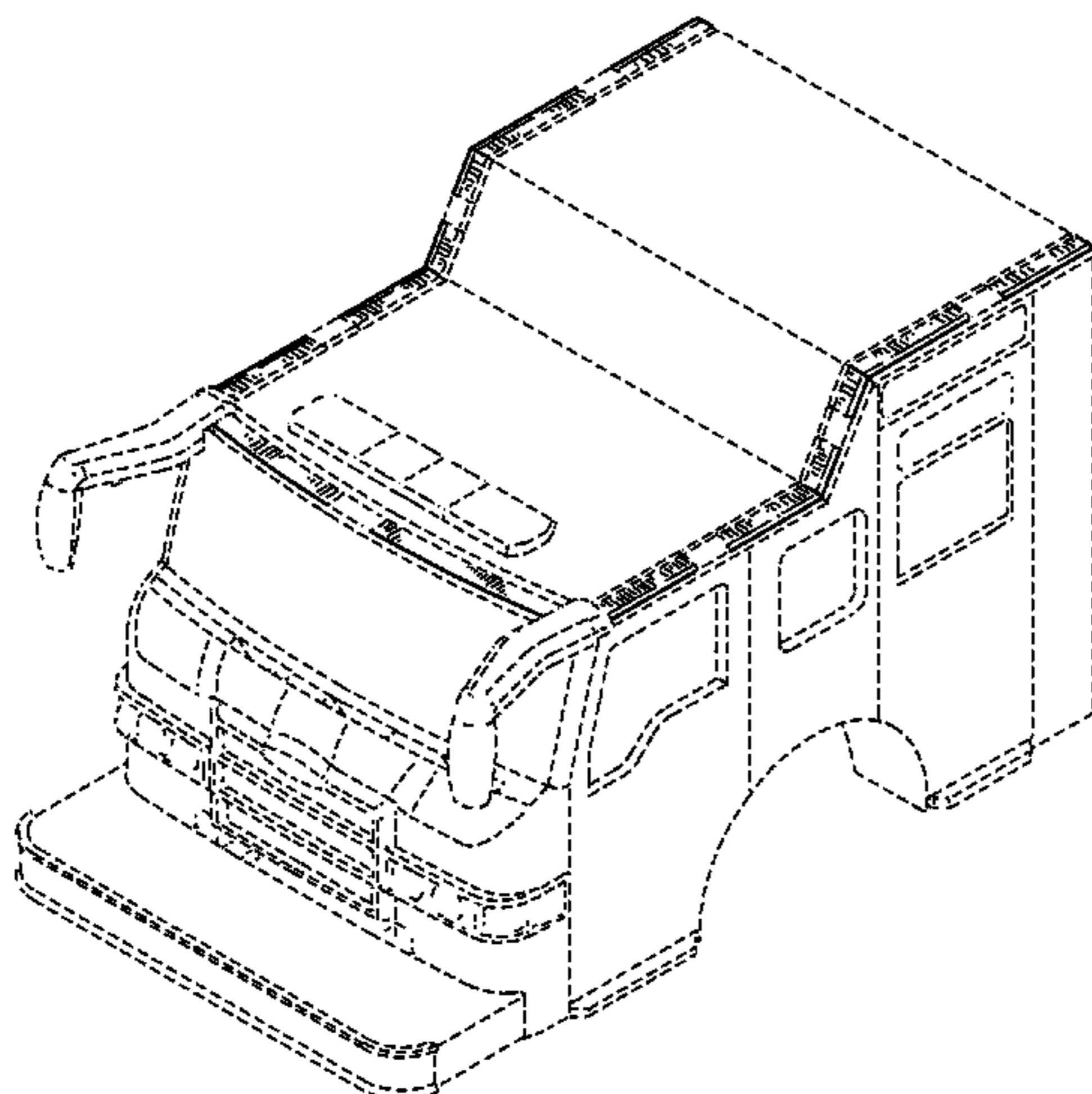
We claim the ornamental design for vehicle cab, as shown and described.

DESCRIPTION

FIG. 1 is a perspective view of the claimed design;
FIG. 2 is a top view thereof;
FIG. 3 is a front view thereof;
FIG. 4 is a right side view thereof;
FIG. 5 is a left view thereof;
FIG. 6 is a rear view thereof; and,
FIG. 7 is a bottom view thereof.

The broken lines depict environment and form no part of the claim. Portions of the claim are shown broken away to indicate that no specific length is claimed.

1 Claim, 7 Drawing Sheets



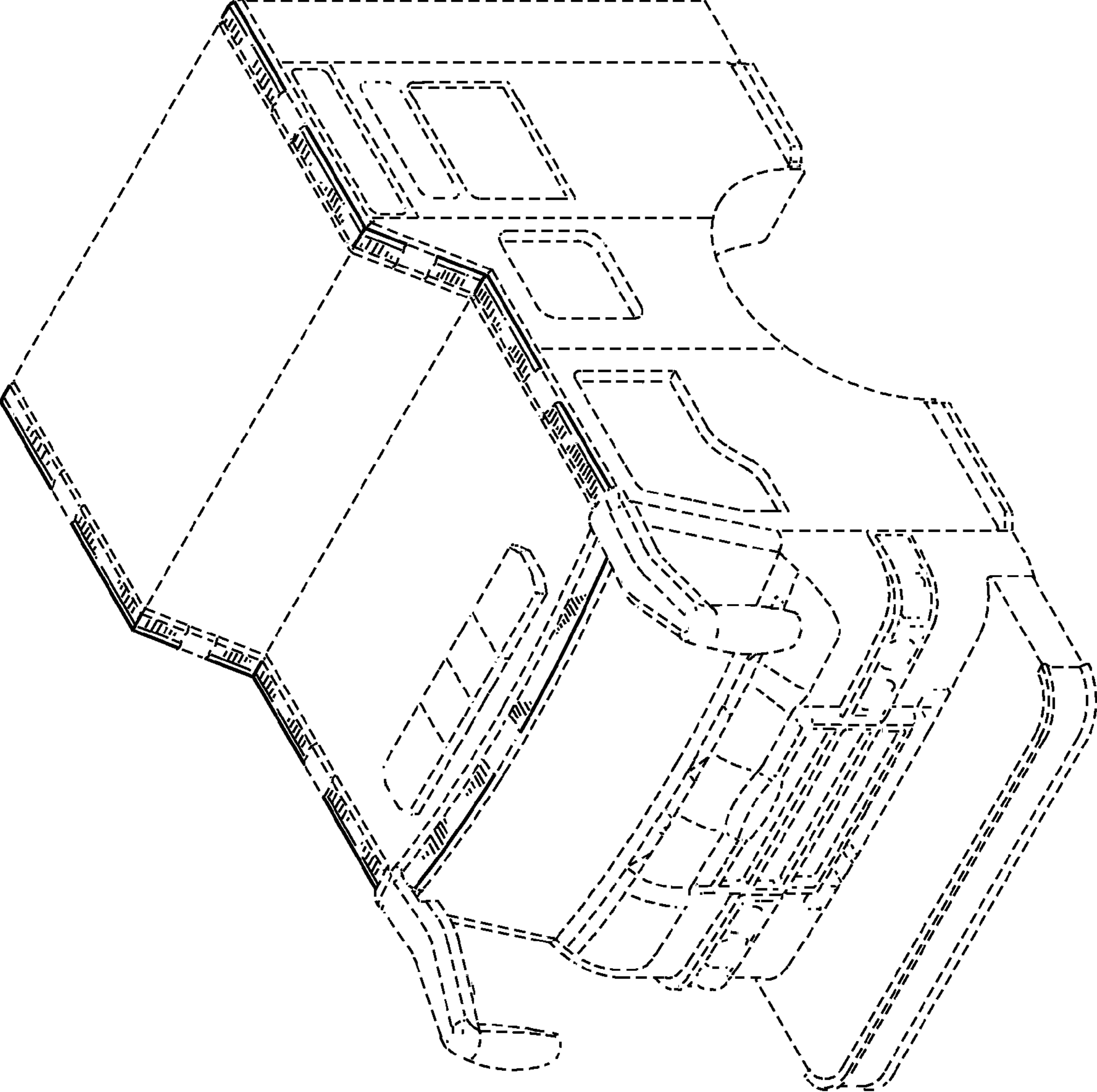


FIG. 1

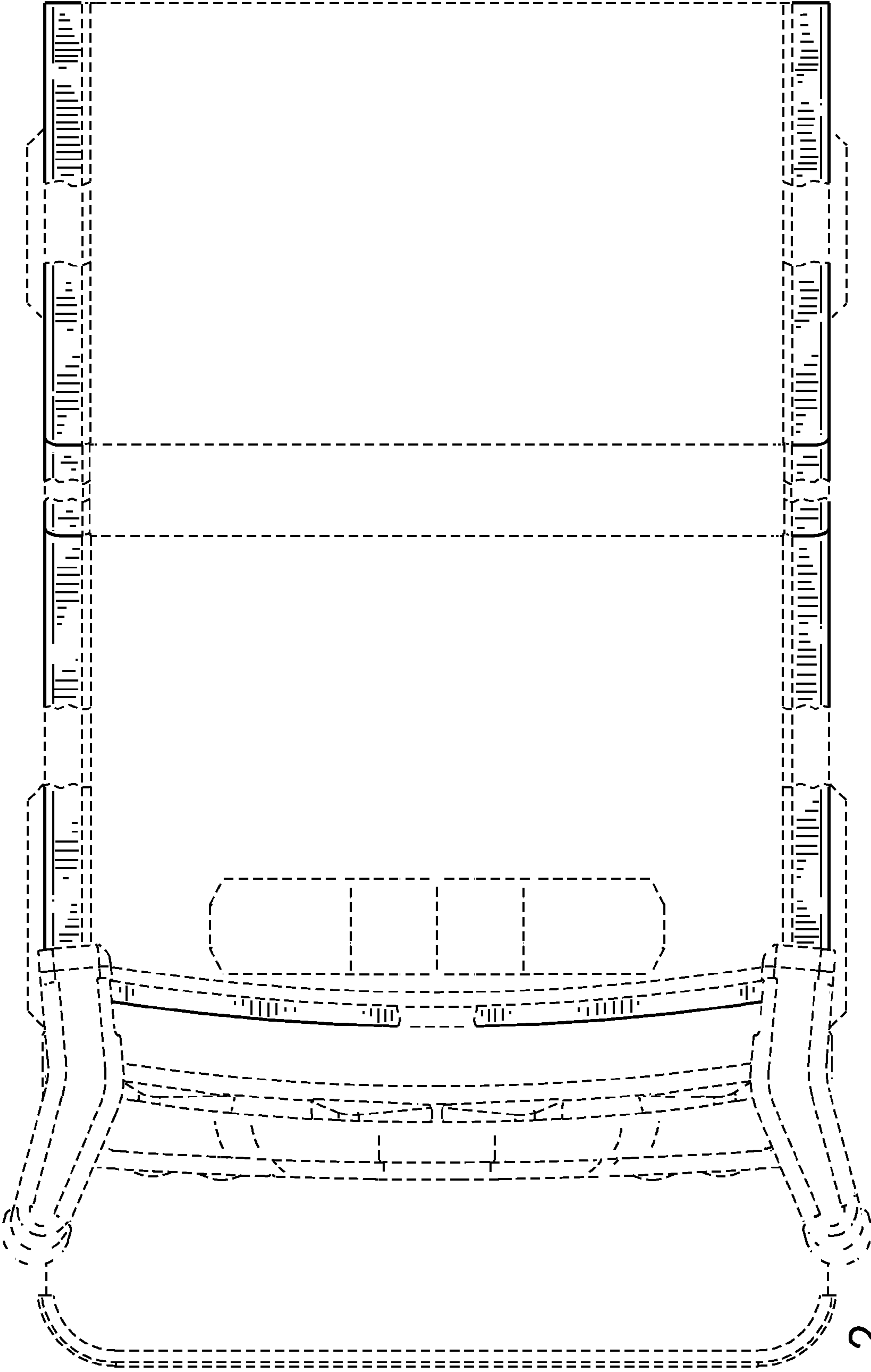


FIG. 2

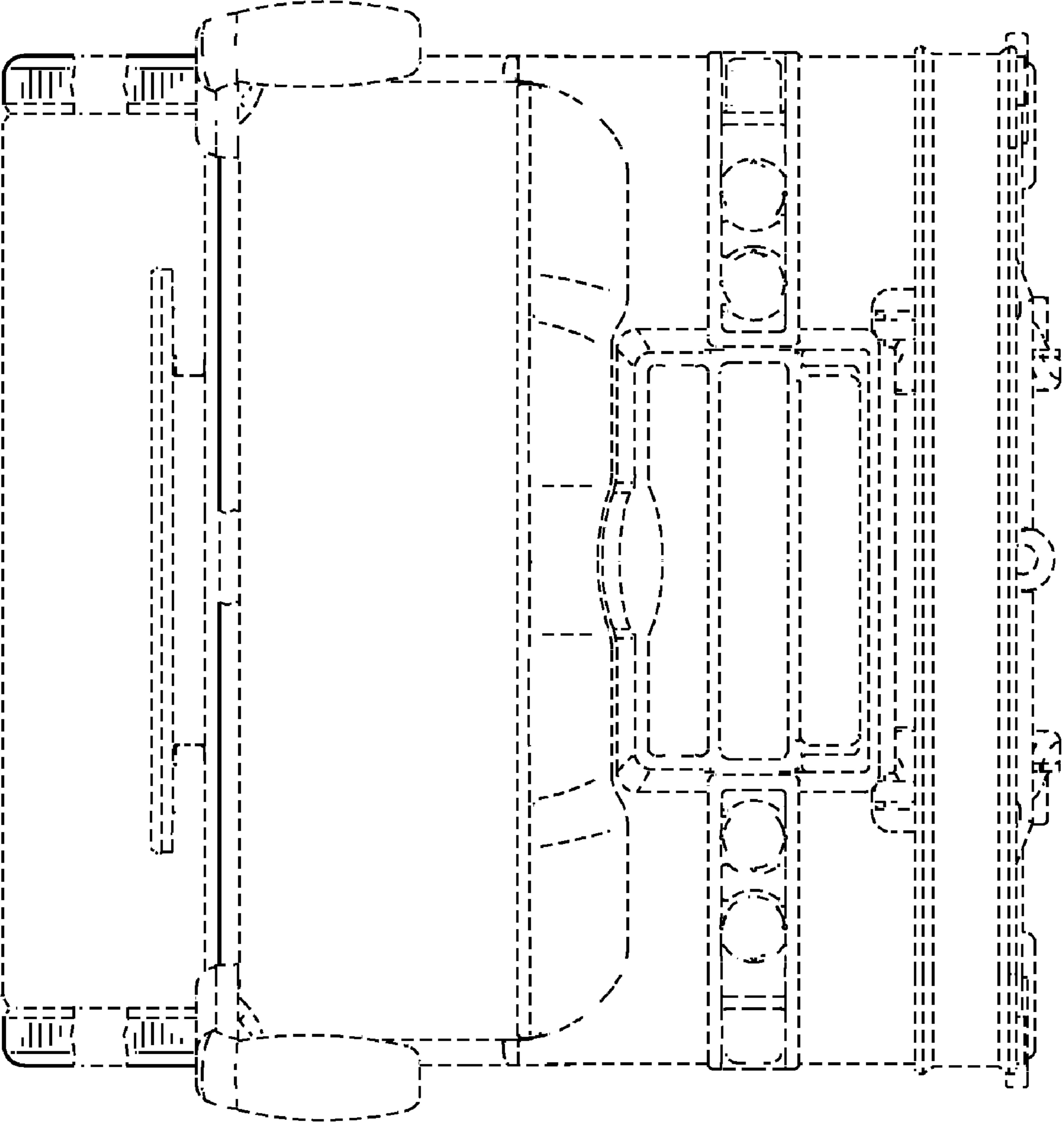


FIG. 3

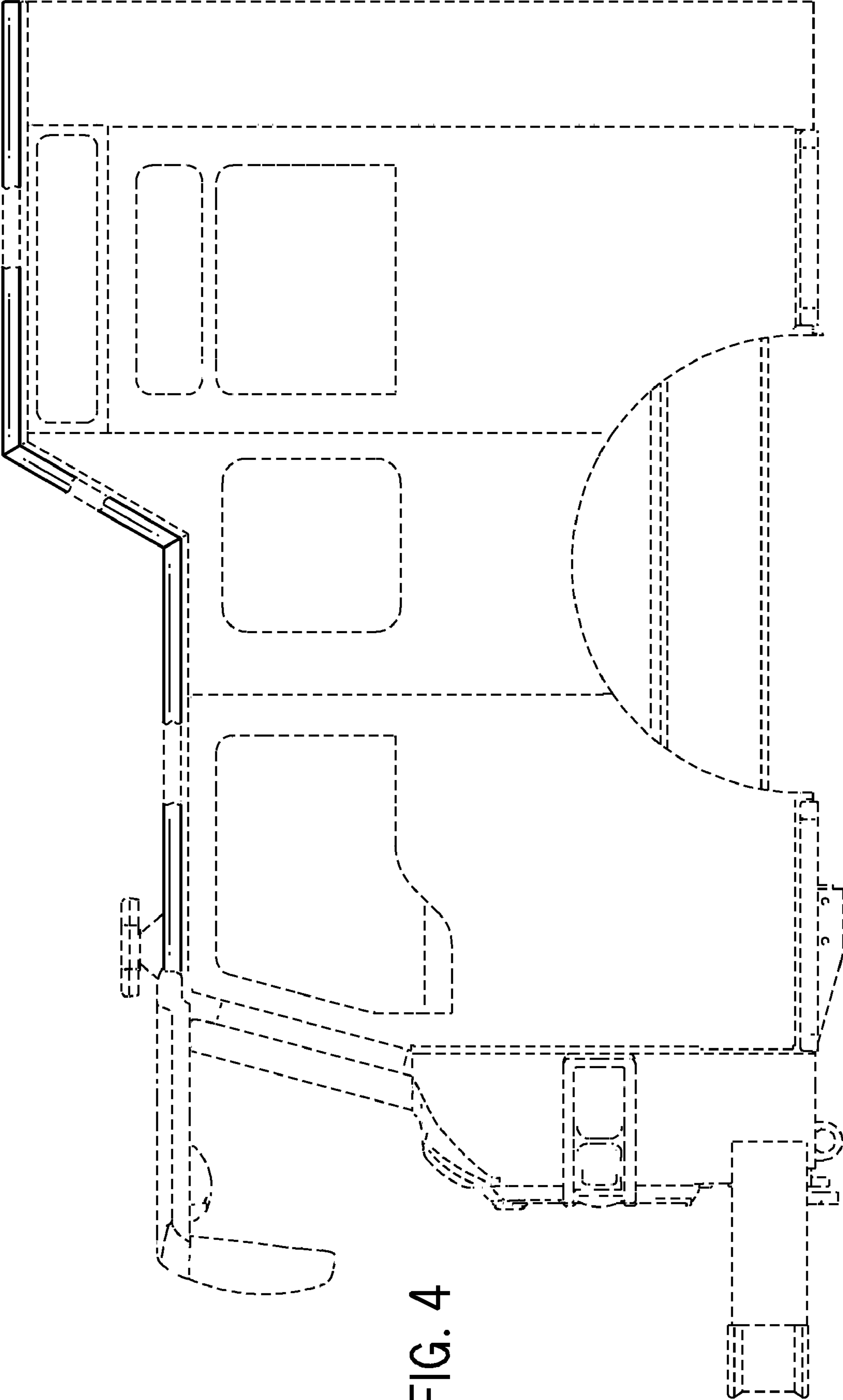
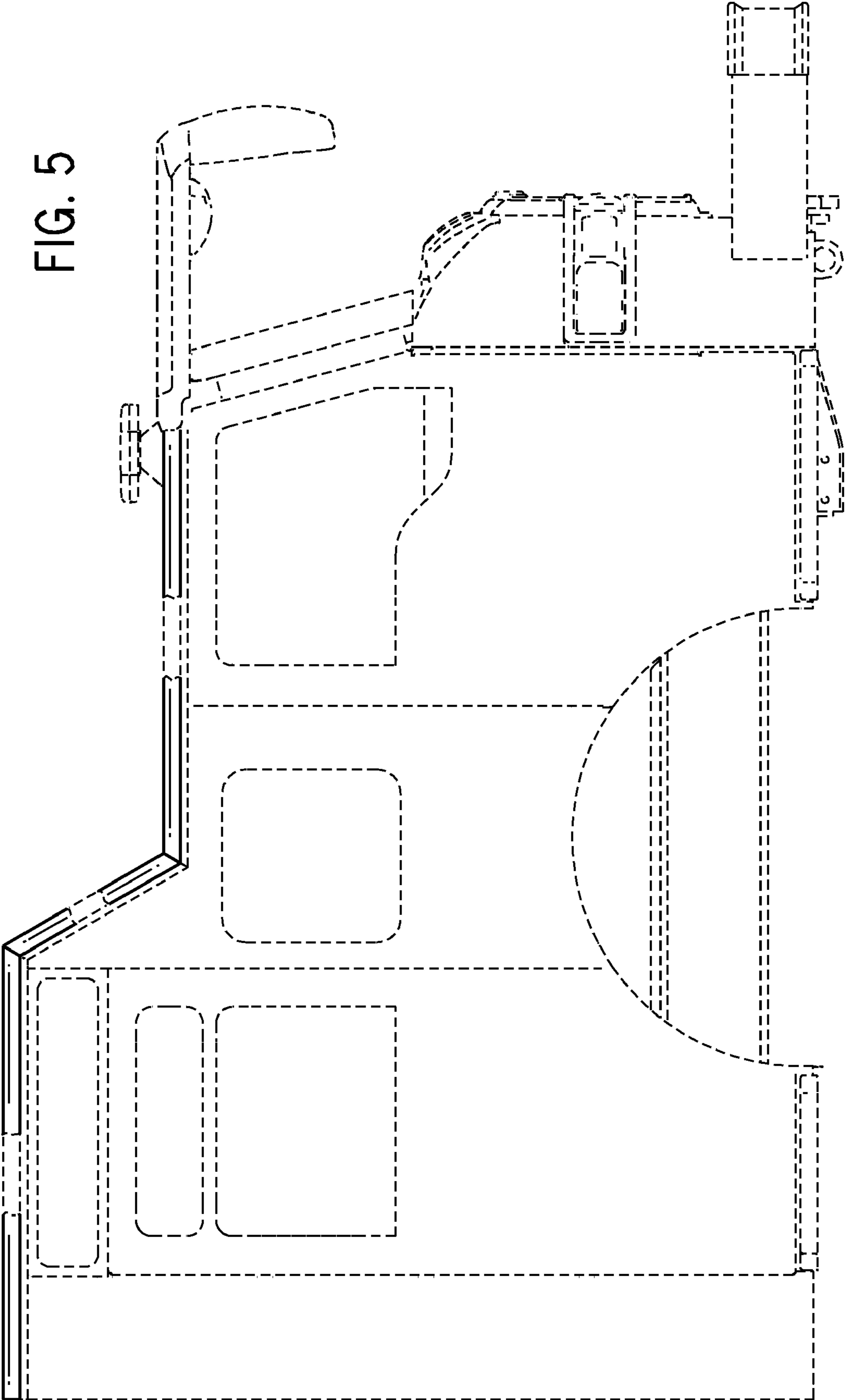


FIG. 4

FIG. 5



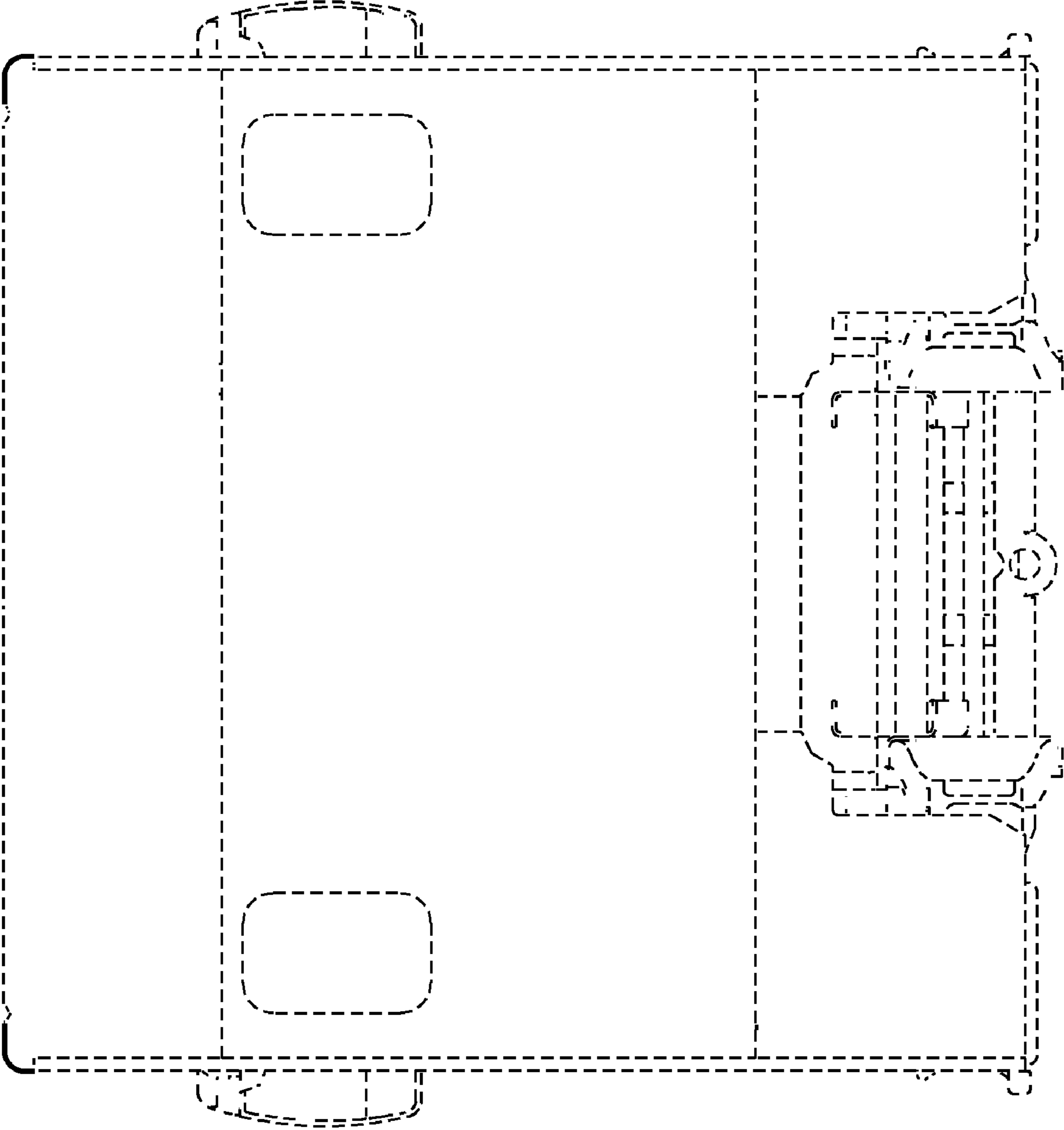


FIG. 6

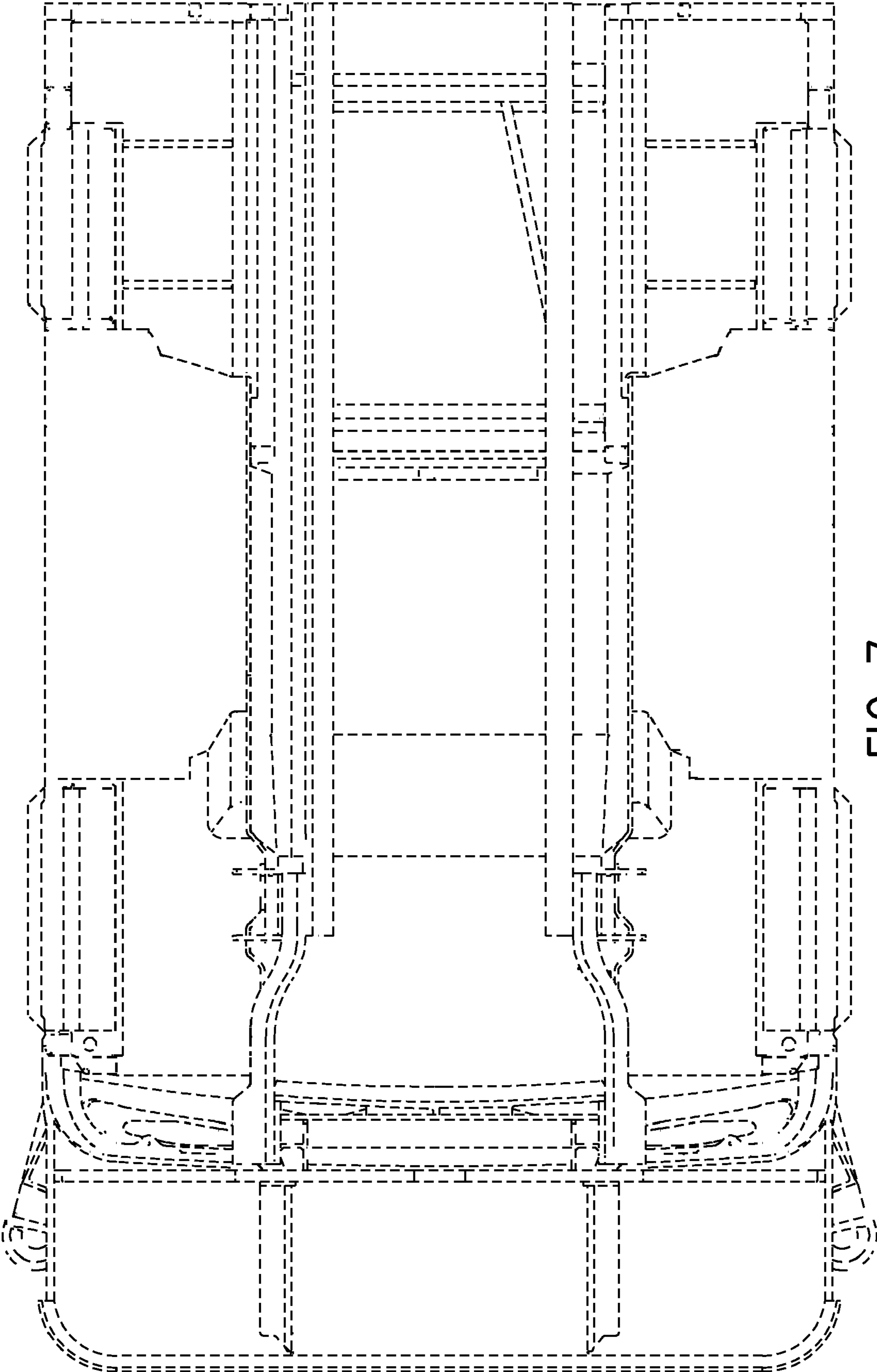


FIG. 7