



US00D617240S

(12) **United States Design Patent**
Rosenbohm

(10) **Patent No.:** **US D617,240 S**
(45) **Date of Patent:** **** Jun. 8, 2010**

(54) **GEAR SHIFT LEVER**

(75) Inventor: **Oliver Rosenbohm**, Stuttgart (DE)

(73) Assignee: **Dr. Ing. h.c. F. Porsche AG**, Stuttgart (DE)

(**) Term: **14 Years**

(21) Appl. No.: **29/319,345**

(22) Filed: **Jun. 6, 2008**

(30) **Foreign Application Priority Data**

Dec. 7, 2007 (DE) 4 07 06 056

(51) **LOC (9) Cl.** **12-16**

(52) **U.S. Cl.** **D12/179**

(58) **Field of Classification Search** D12/174,
D12/179; D14/412-416; D21/324, 328,
D21/333; 74/473.14, 473.16, 473.23, 473.29,
74/473.3, 490.14, 523, 543, 573.1
See application file for complete search history.

(56) **References Cited**

U.S. PATENT DOCUMENTS

D440,918 S * 4/2001 Pfeiffer D12/179
D440,919 S * 4/2001 Pfeiffer D12/179

6,425,729 B1 * 7/2002 Coutant 414/685
6,435,052 B1 * 8/2002 Ersoy et al. 74/473.1
D490,758 S * 6/2004 Watanabe D12/179
D554,567 S * 11/2007 Landestoy D12/179
D571,268 S * 6/2008 Hoffman D12/179
D577,359 S * 9/2008 Cigarini D12/179
D603,313 S * 11/2009 Pohanka D12/179
D605,569 S * 12/2009 Yoshida D12/179

* cited by examiner

Primary Examiner—Melody N Brown

(57) **CLAIM**

The ornamental design for a gear shift lever, as shown and described.

DESCRIPTION

FIG. 1 is a front, plan view of the gear shift lever showing my new design;

FIG. 2 is a rear elevation view thereof;

FIG. 3 is a right-side view thereof;

FIG. 4 is left-side view thereof;

FIG. 5 is a perspective view thereof;

FIG. 6 is a top, plan view thereof; and,

FIG. 7 is a bottom plan view thereof.

1 Claim, 4 Drawing Sheets



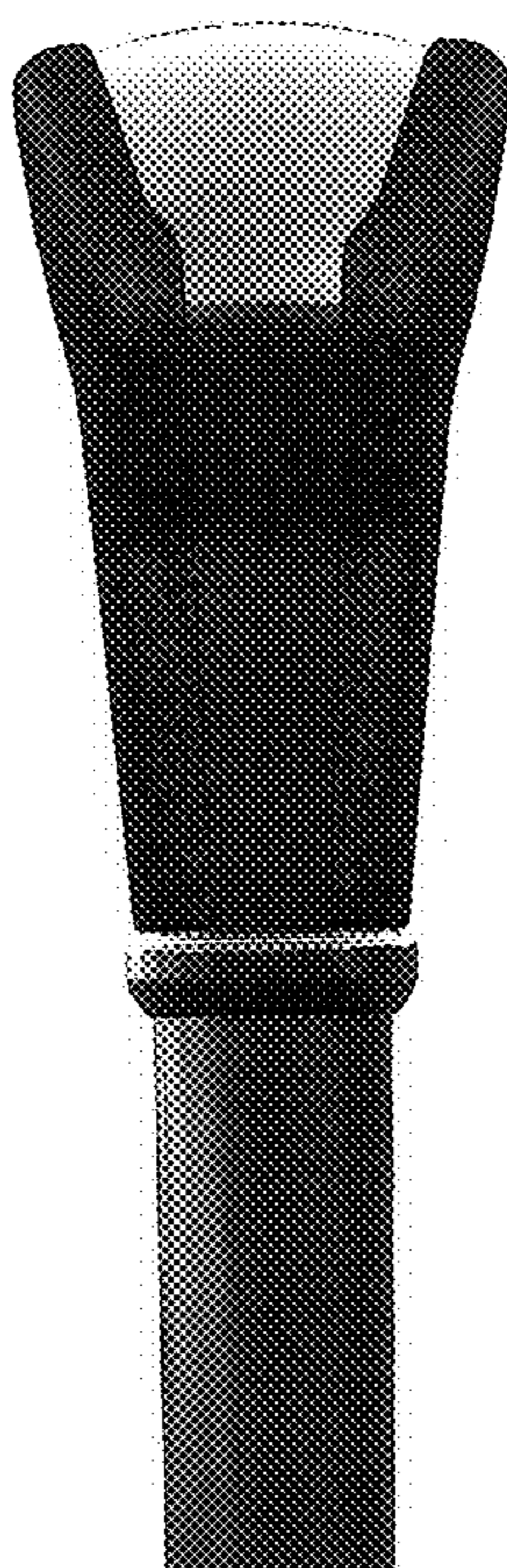


FIG. 1

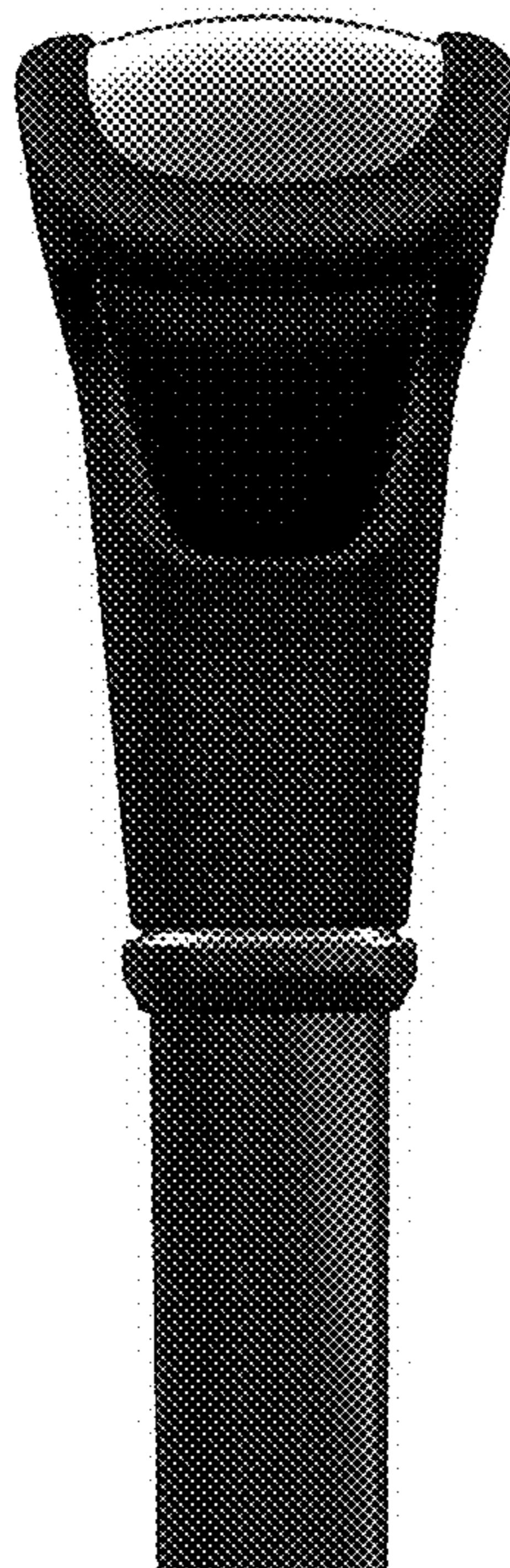


FIG. 2

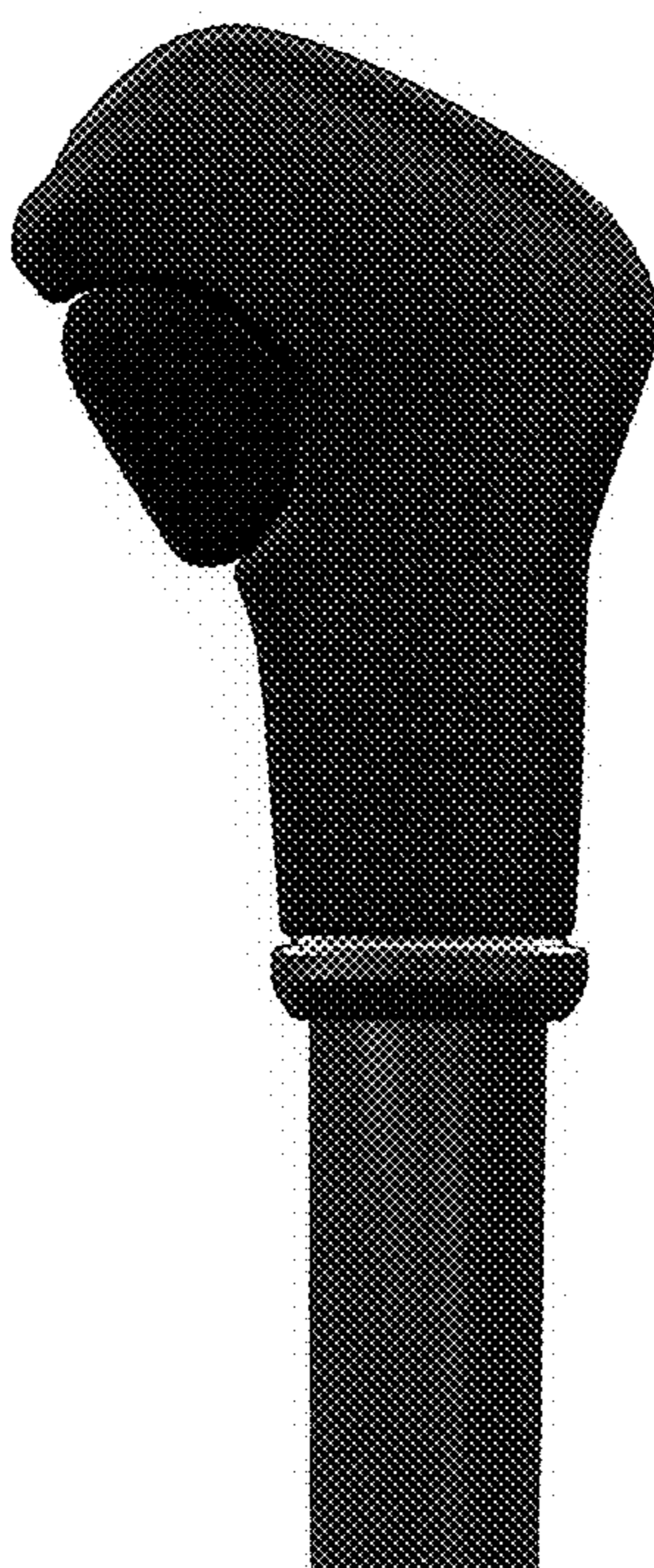


FIG. 3

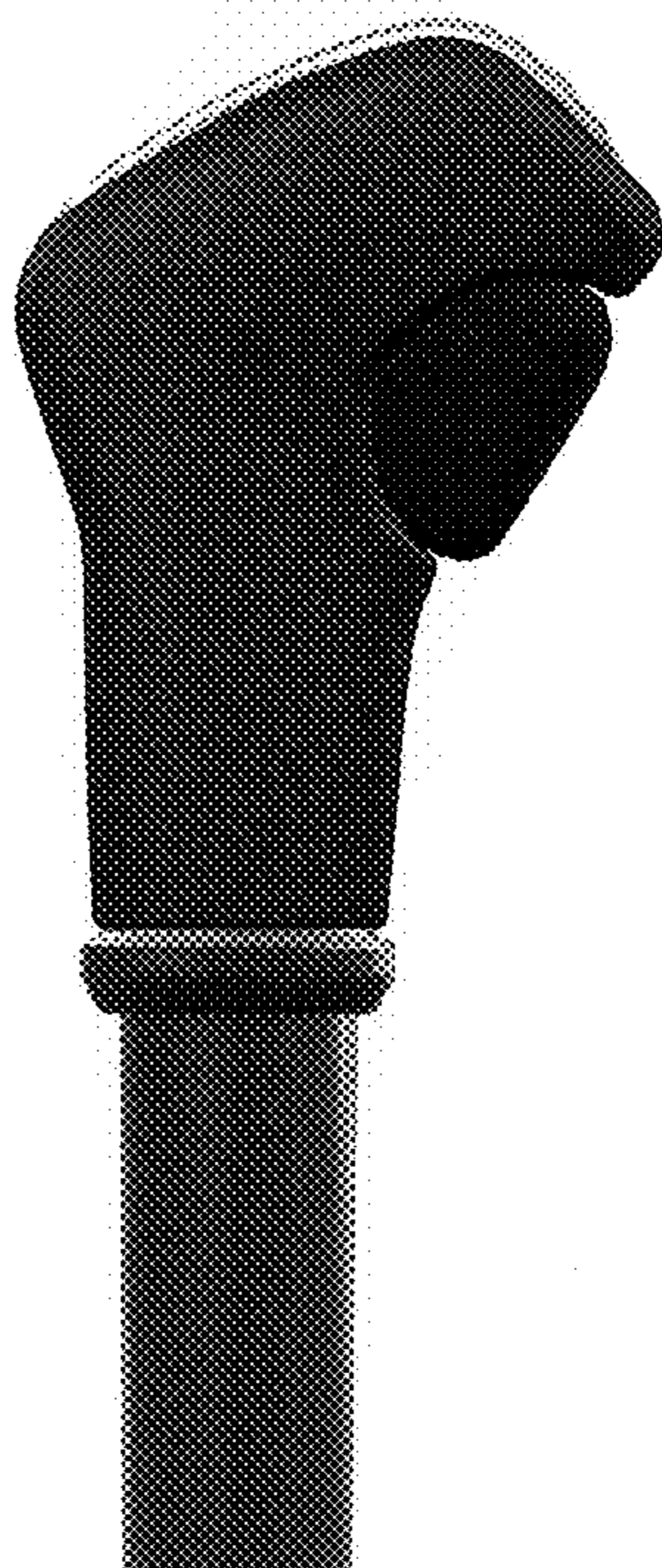


FIG. 4

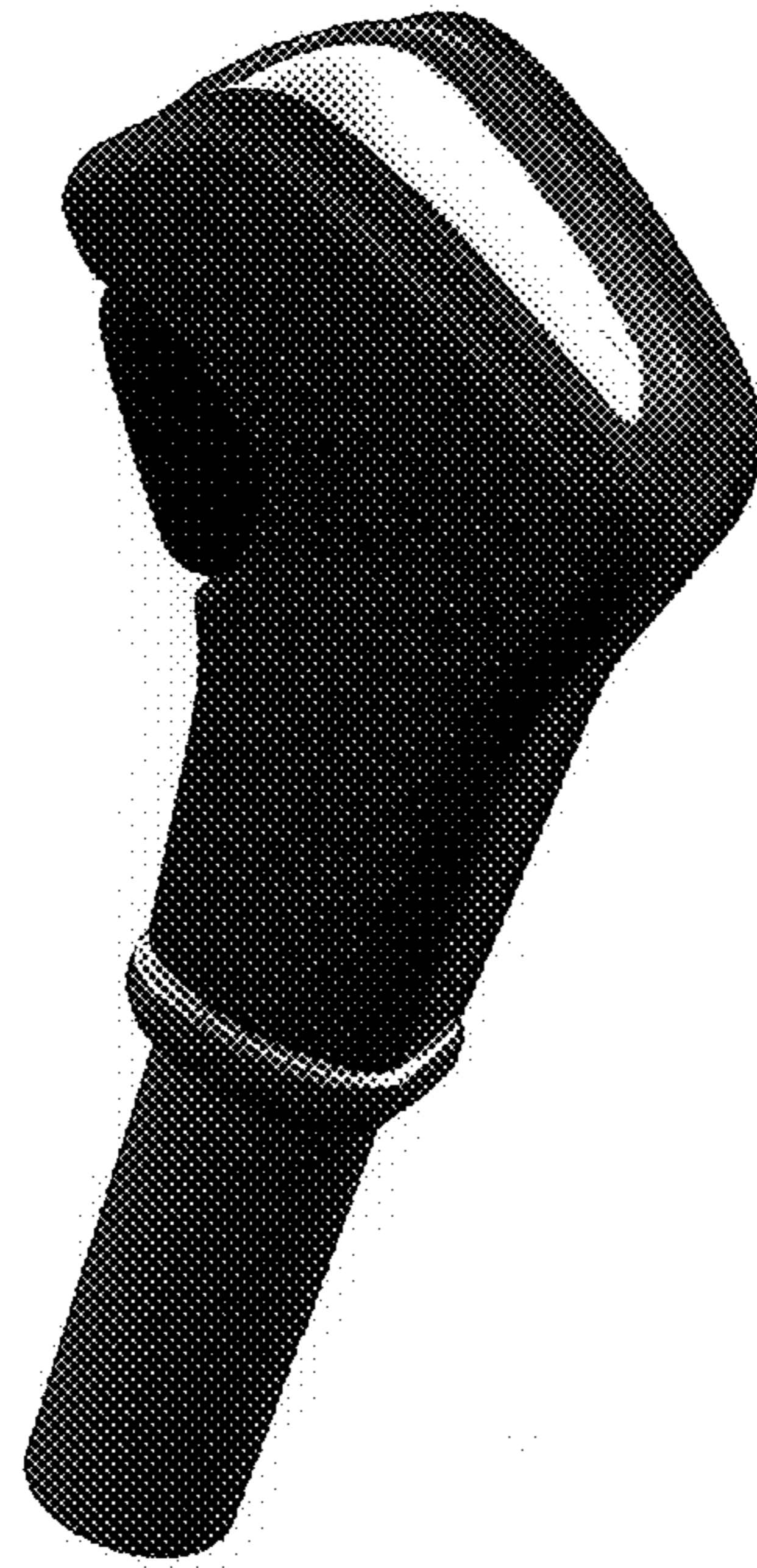


FIG. 5

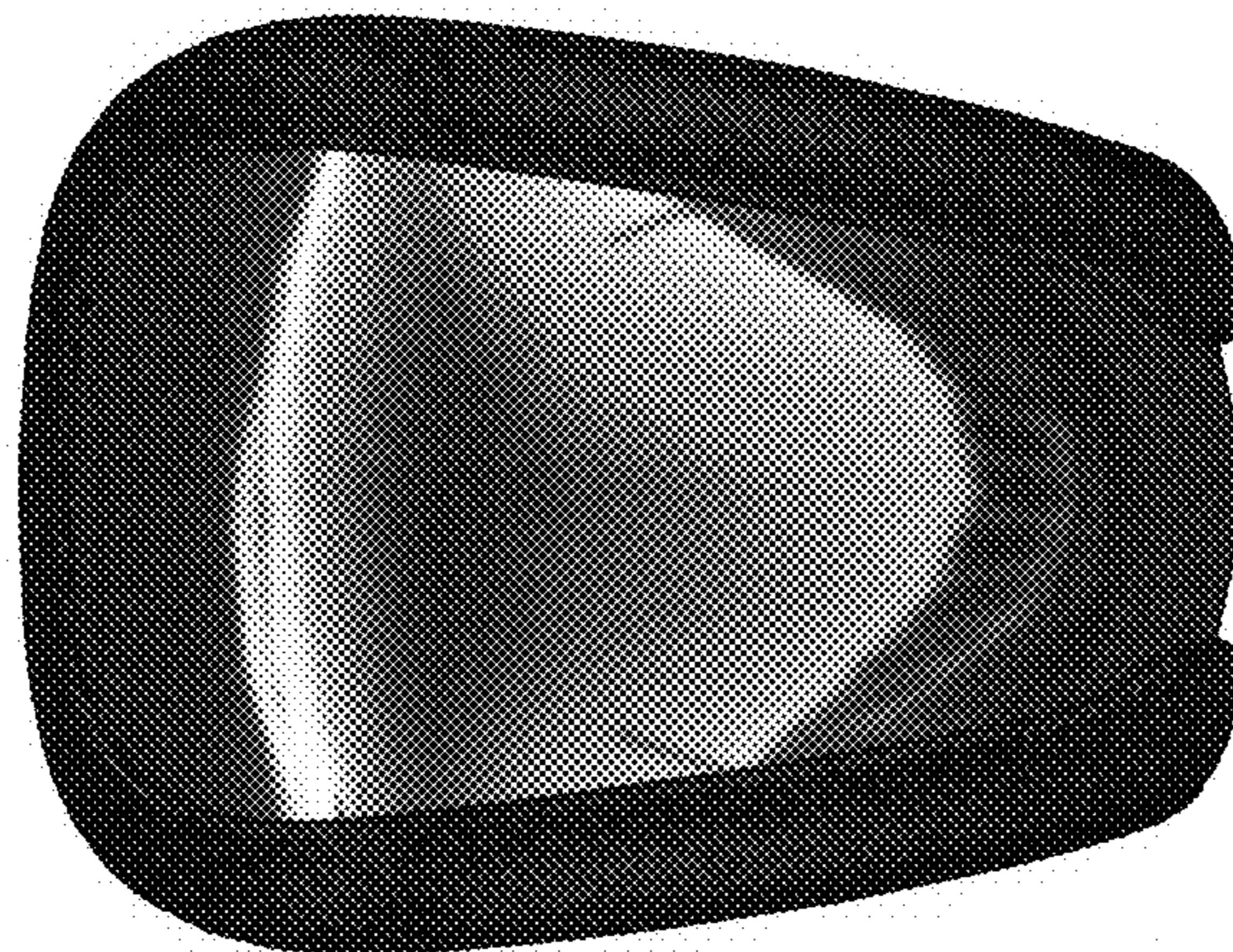


FIG. 6



FIG. 7