



US00D617236S

(12) **United States Design Patent**
Counts

(10) **Patent No.:** **US D617,236 S**
(45) **Date of Patent:** **** Jun. 8, 2010**

(54) **BUS EXTERIOR**

(75) Inventor: **Michael R. Counts**, Brooklyn, NY (US)

(73) Assignee: **The Ride, Inc.**, New York, NY (US)

(**) Term: **14 Years**

(21) Appl. No.: **29/351,903**

(22) Filed: **Dec. 14, 2009**

(51) **LOC (9) Cl.** **12-08**

(52) **U.S. Cl.** **D12/84**

(58) **Field of Classification Search** D12/82,
D12/84; 296/178

See application file for complete search history.

(56) **References Cited**

U.S. PATENT DOCUMENTS

D248,033 S	5/1978	James et al.	D12/84
D254,609 S	4/1980	Neal et al.	D12/84
D255,340 S	6/1980	Flesche	D12/84
D257,141 S	9/1980	Flesche	D12/84
D376,562 S *	12/1996	Sealy et al.	D12/84
D503,126 S *	3/2005	Papke et al.	D12/84

* cited by examiner

Primary Examiner—Melody N Brown

(74) *Attorney, Agent, or Firm*—Pillsbury Winthrop Shaw Pittman LLP

(57) **CLAIM**

The ornamental design for a bus exterior, as shown and described.

DESCRIPTION

A portion of the disclosure of this patent document contains material to which a claim for copyright is made. The copyright owner has no objection to the facsimile reproduction of the patent document or the patent disclosure, as it appears in the Patent and Trademark Office patent file or records, but reserves all other copyrights whatsoever.

FIG. 1 is a left perspective view of a bus exterior embodying my new design;

FIG. 2 is a right perspective view of the bus exterior of FIG. 1;

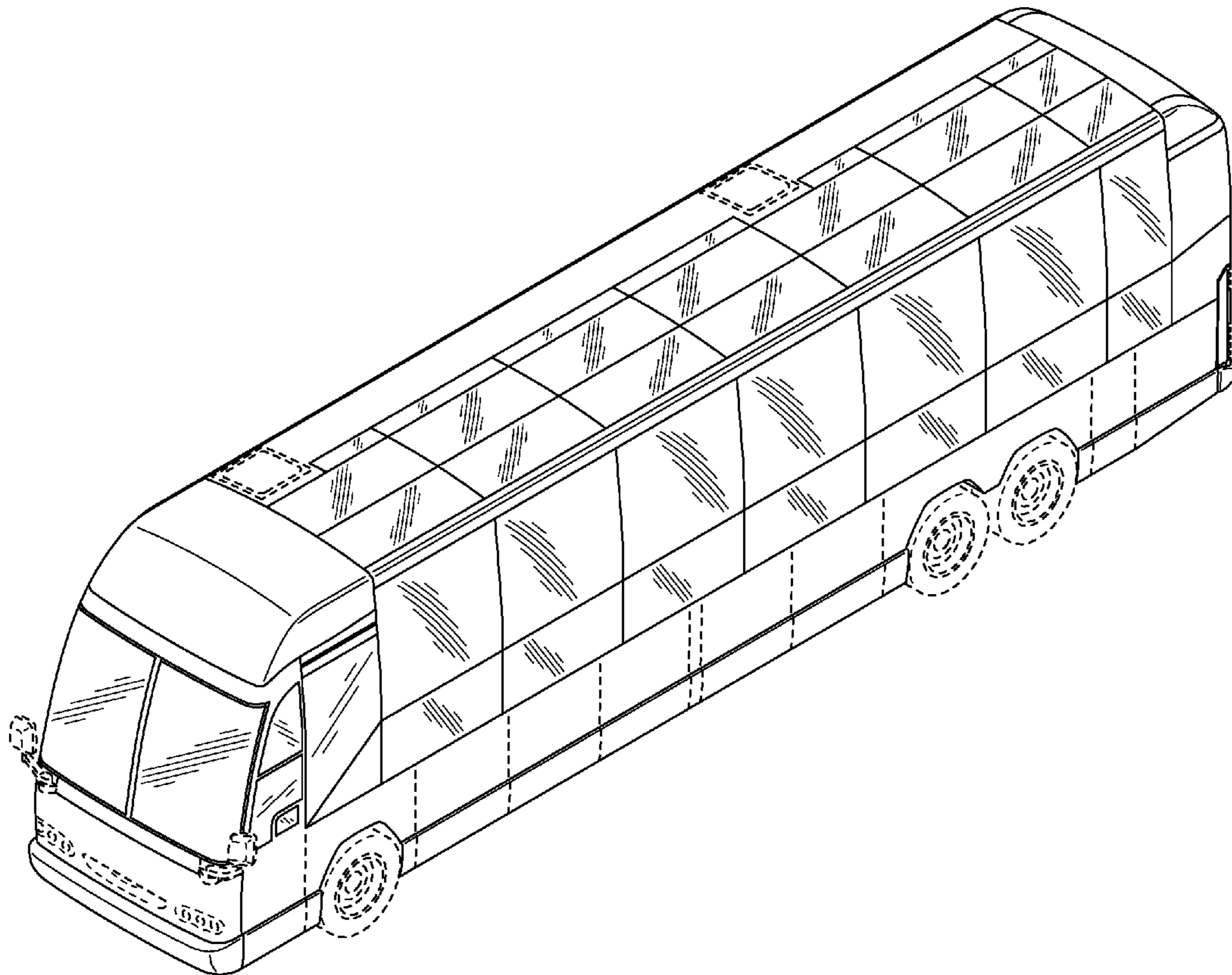
FIG. 3 is a left side elevational view of the bus exterior of FIG. 1;

FIG. 4 is a right side elevational view of the bus exterior of FIG. 1; and,

FIG. 5 is a top plan view of the bus exterior of FIG. 1.

The portions of the bus exterior shown in broken lines forms no part of the claimed design.

1 Claim, 5 Drawing Sheets



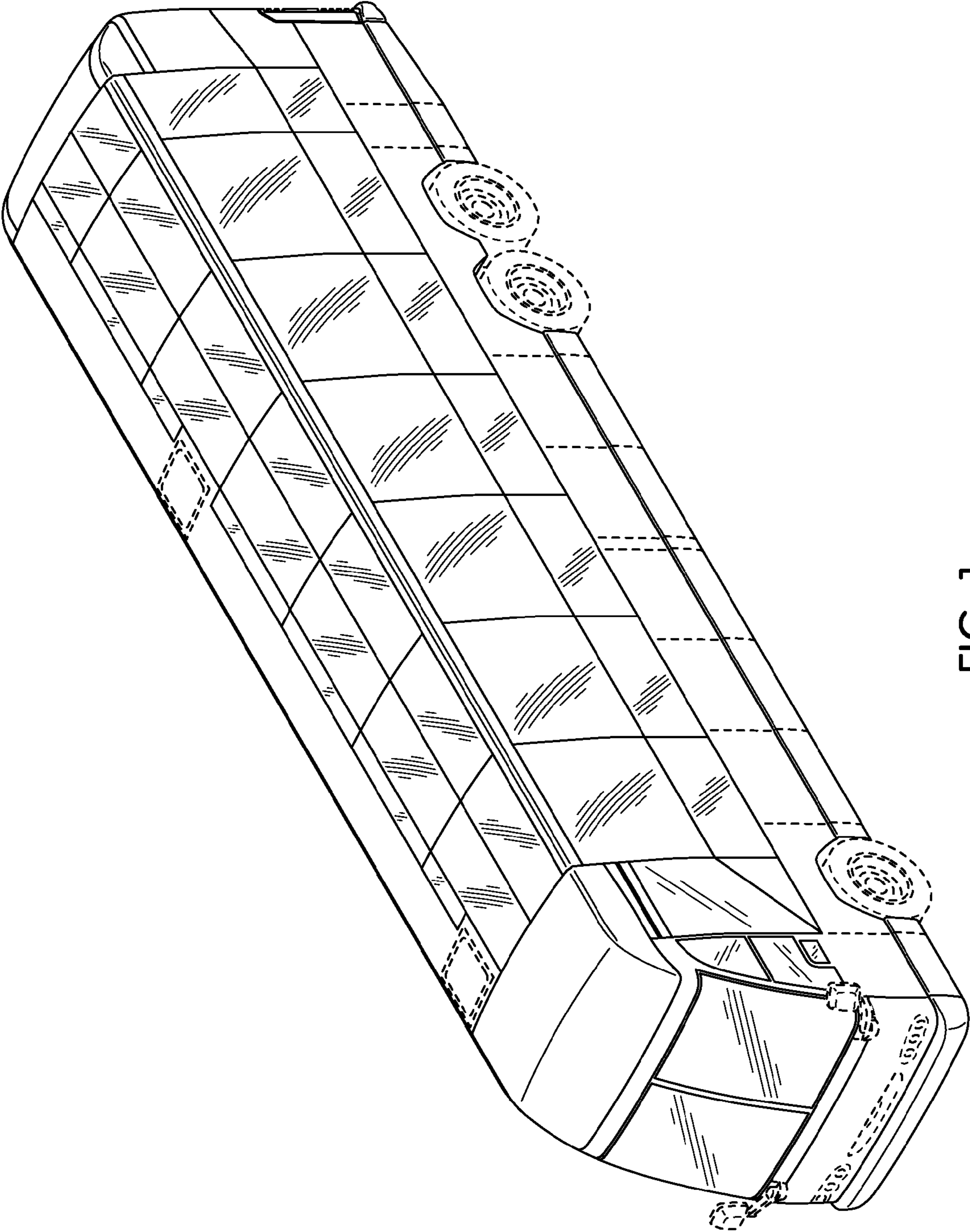


FIG. 1

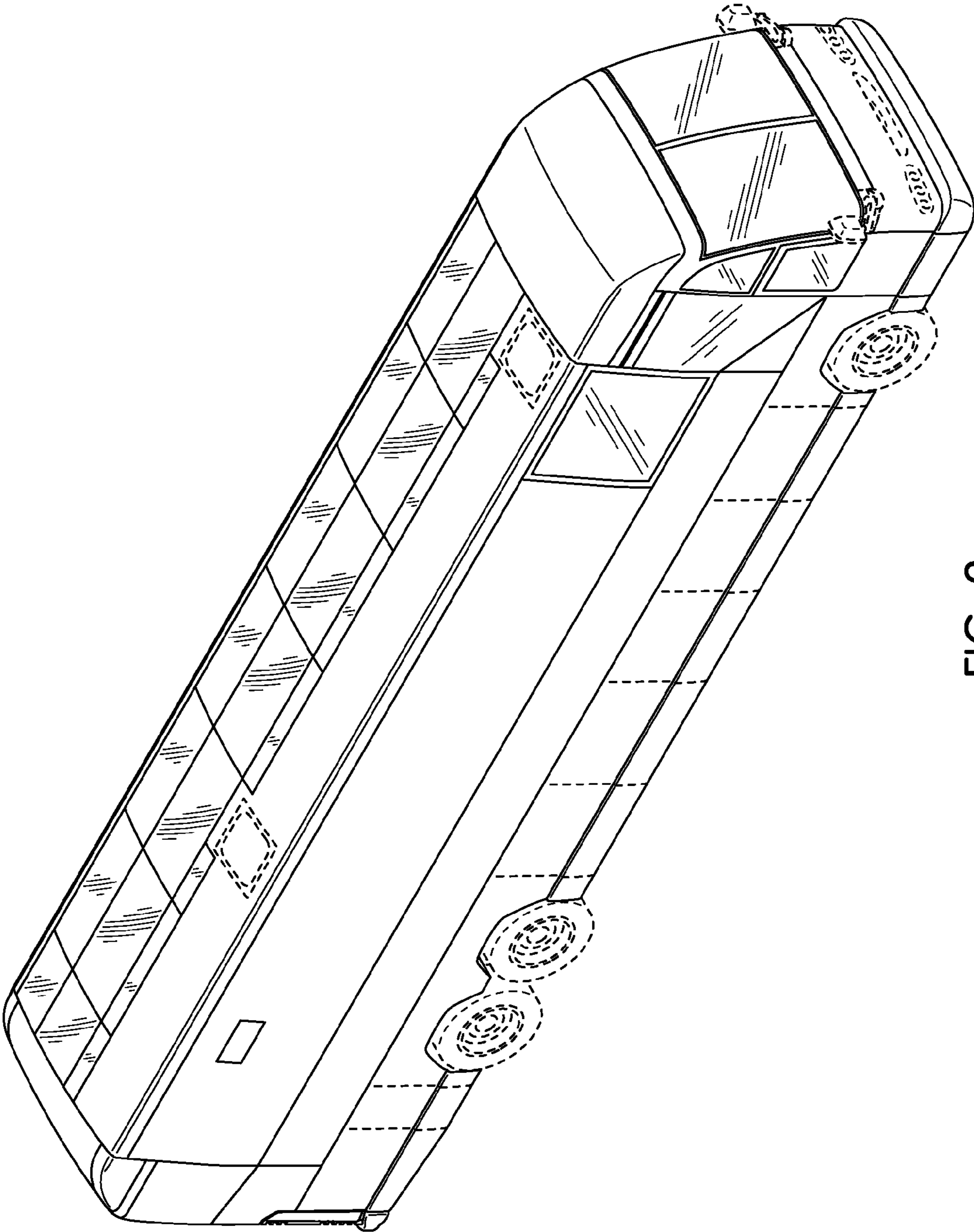


FIG. 2

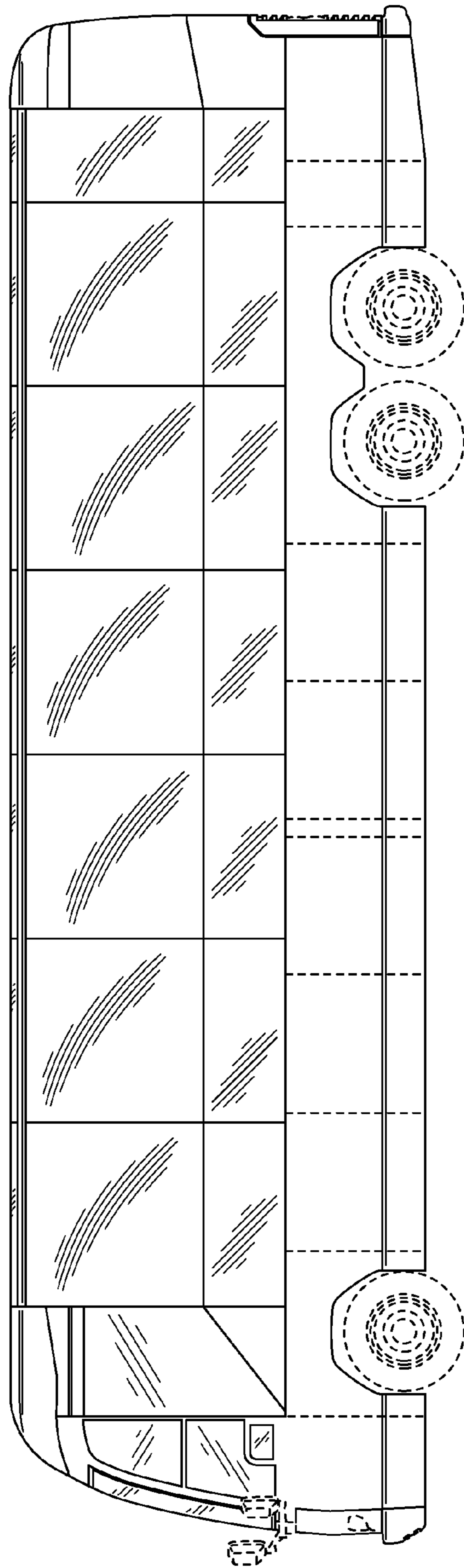


FIG. 3

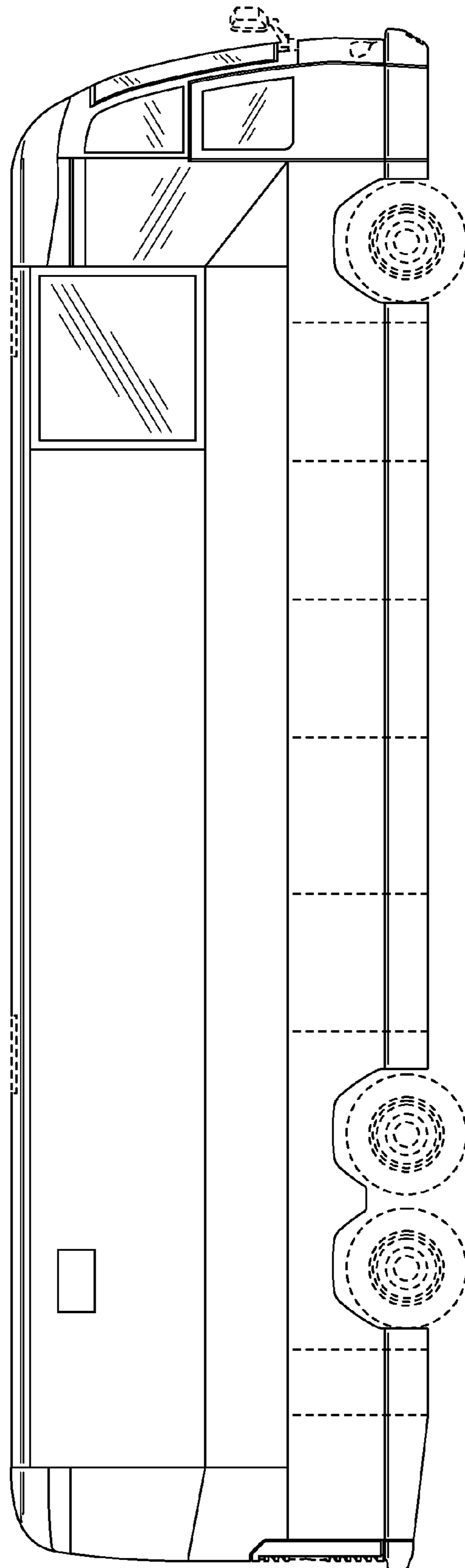


FIG. 4

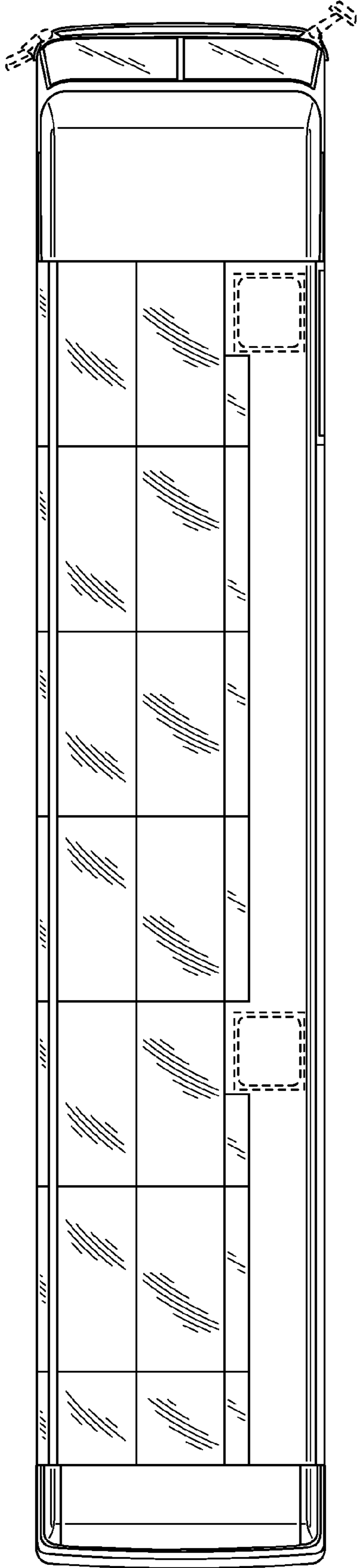


FIG. 5