



US00D617235S

(12) **United States Design Patent**
Dai

(10) **Patent No.:** **US D617,235 S**

(45) **Date of Patent:** **** Jun. 8, 2010**

(54) **GOLF CAR**

(76) Inventor: **Ganggang Dai**, 1339 W. Brooks St.,
Unit C and D, Ontario, CA (US) 91762

(**) Term: **14 Years**

(21) Appl. No.: **29/337,007**

(22) Filed: **May 13, 2009**

(51) **LOC (9) Cl.** **12-02**

(52) **U.S. Cl.** **D12/16**

(58) **Field of Classification Search** D12/87,
D12/86, 1, 433, 15, 16, 107, 82, 88, 89, 90,
D12/91, 92, 93; D15/30; D21/803; 180/233,
180/908; 280/DIG. 5, 183, 184, 185, 186,
280/28, 37.7; 296/70, 37.12, 72
See application file for complete search history.

(56) **References Cited**

U.S. PATENT DOCUMENTS

- D498,704 S * 11/2004 Bonner et al. D12/16
- D541,699 S * 5/2007 Andrews et al. D12/16
- D571,689 S * 6/2008 Andrews et al. D12/16

- D600,593 S * 9/2009 Hanson et al. D12/16
- 2007/0267237 A1 * 11/2007 Hanson et al. 180/89.1

* cited by examiner

Primary Examiner—T. Chase Nelson

Assistant Examiner—Ania K Dworzecka

(74) *Attorney, Agent, or Firm*—Christie, Parker & Hale, LLP

(57) **CLAIM**

The ornamental design for golf car, as shown and described.

DESCRIPTION

FIG. 1 is a front perspective view of a golf car showing my new design;

FIG. 2 is a front end elevation view;

FIG. 3 is a side elevation view;

FIG. 4 is a rear end elevation view; and,

FIG. 5 is a top plan view.

Portions of the golf car shown in broken lines form no part of the claimed design.

1 Claim, 5 Drawing Sheets

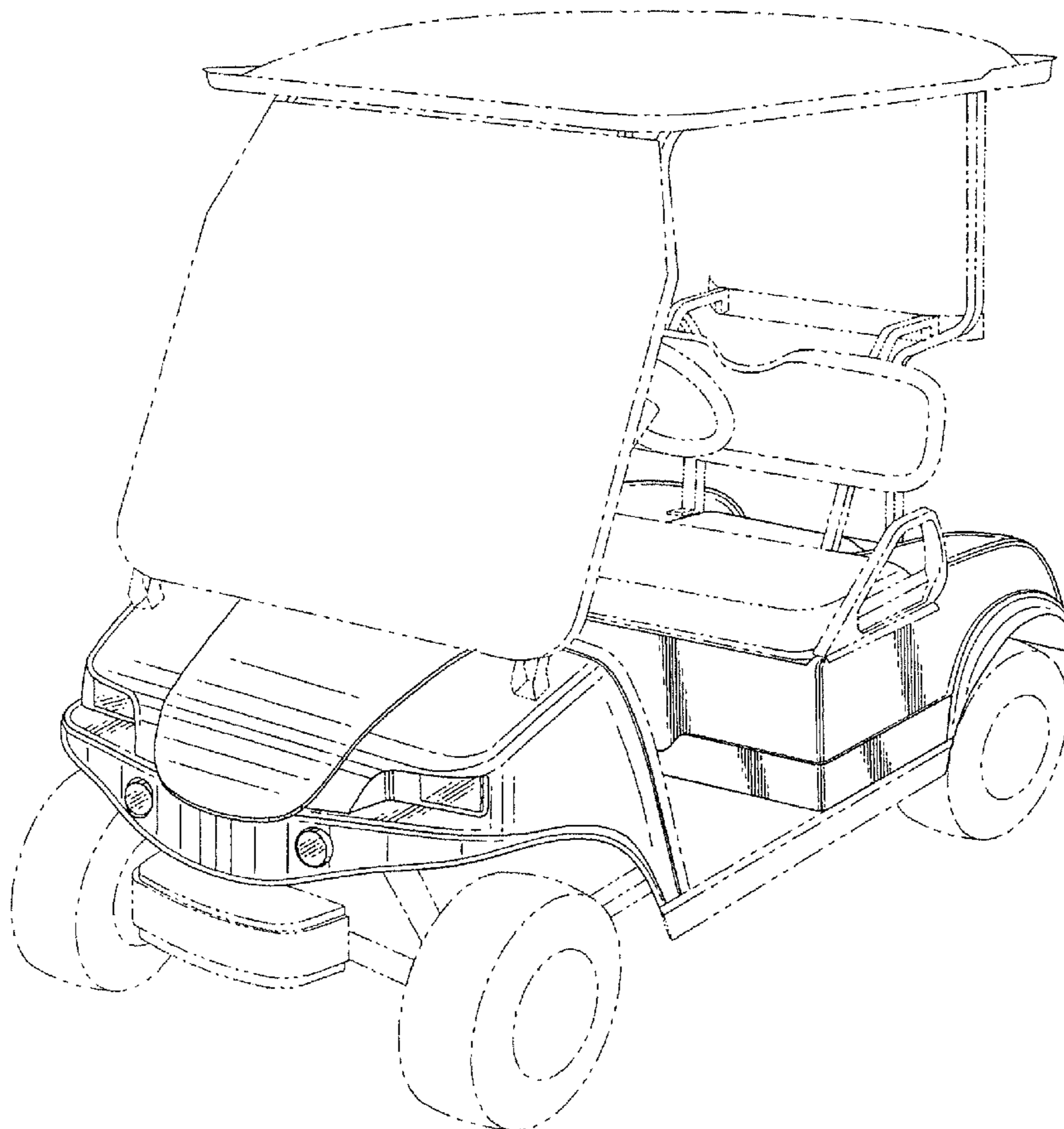
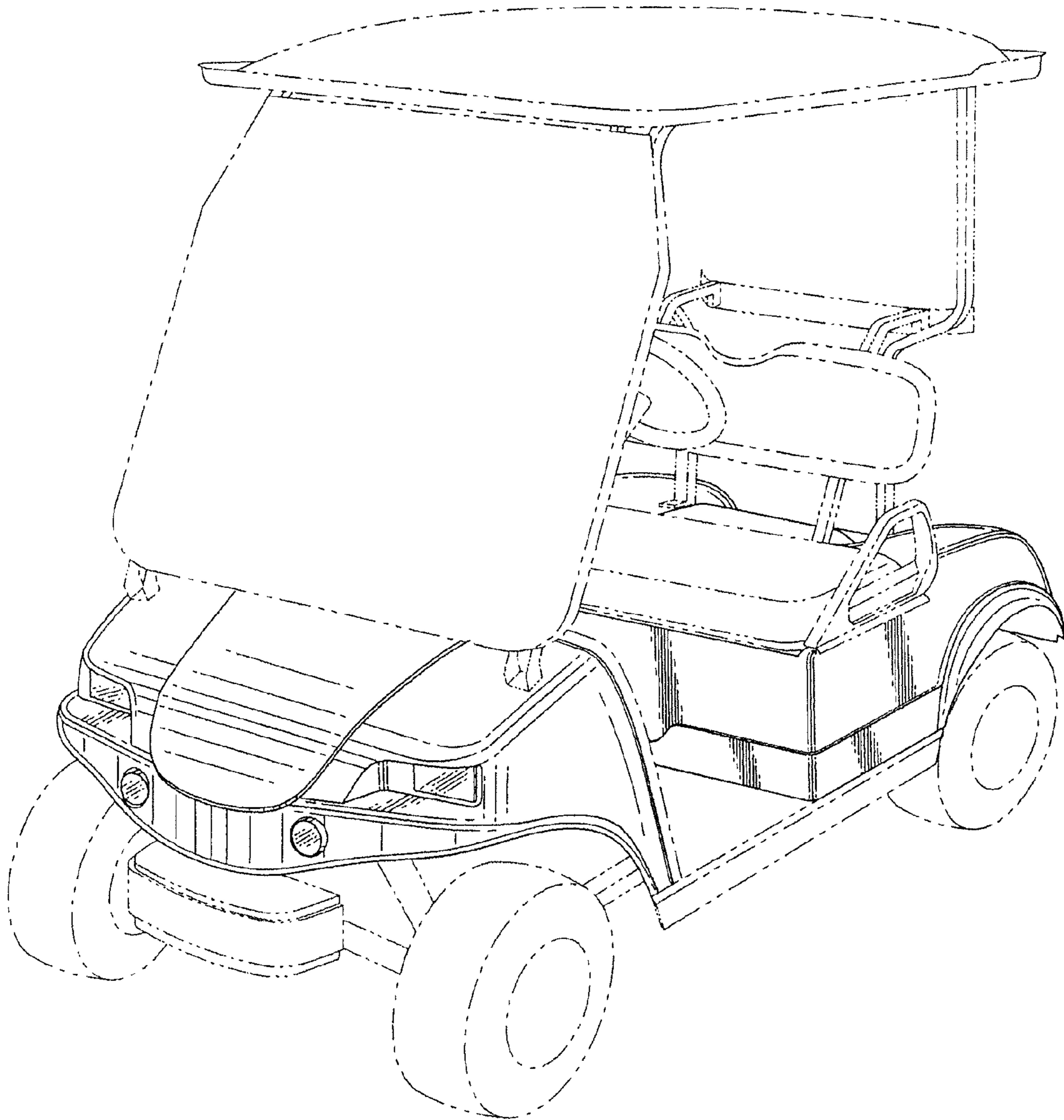


FIG. 1



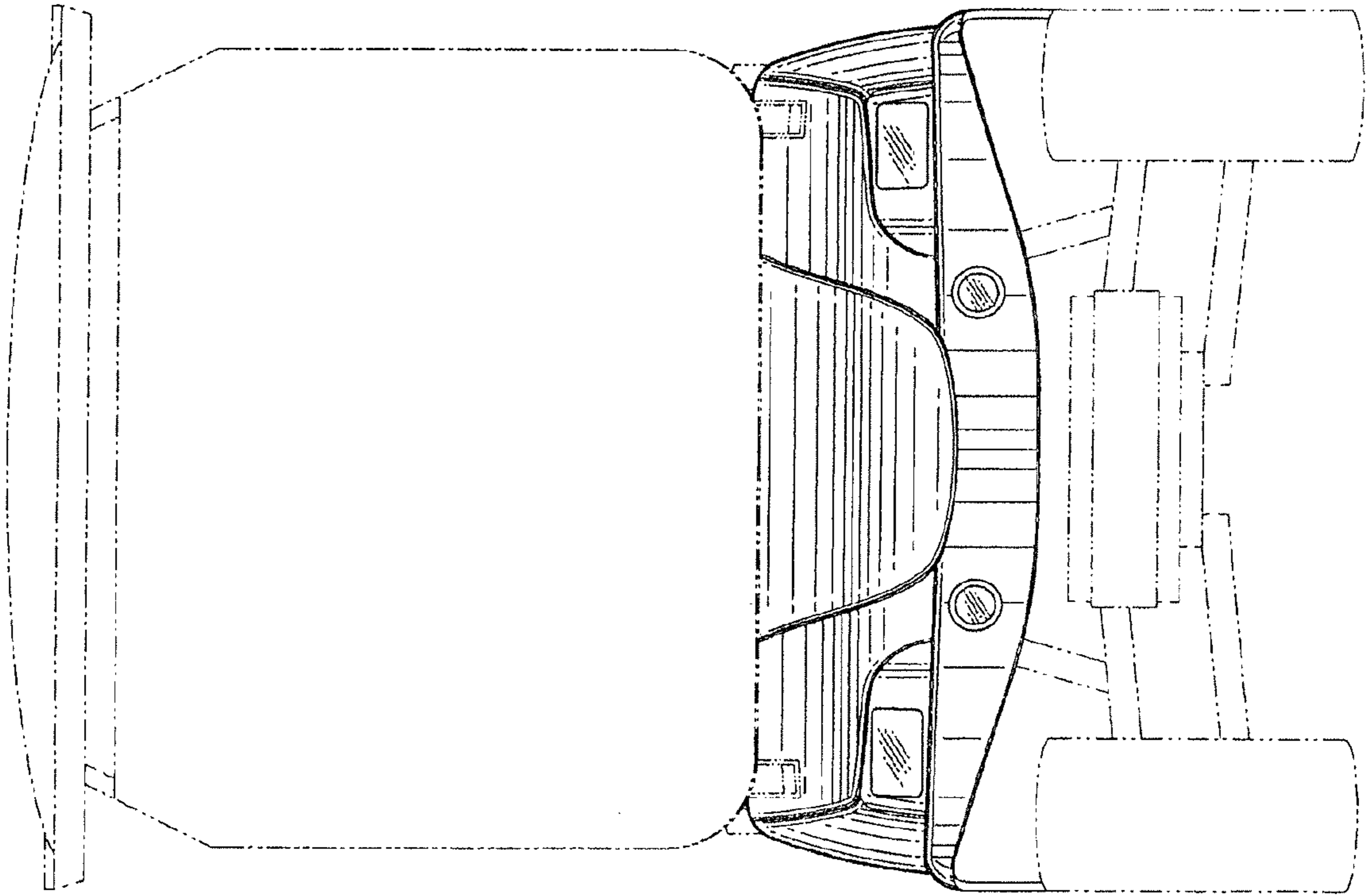
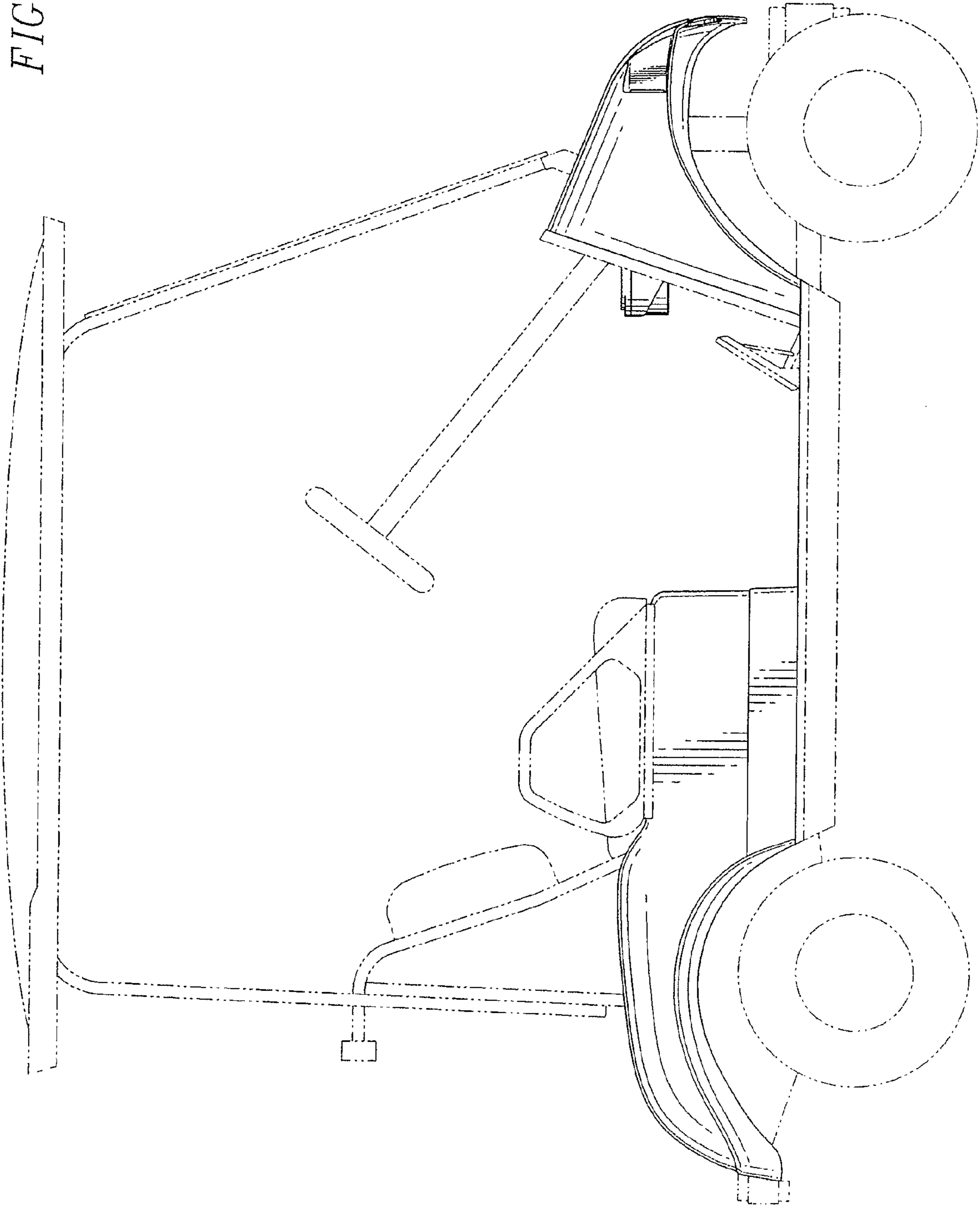


FIG. 2

FIG. 3



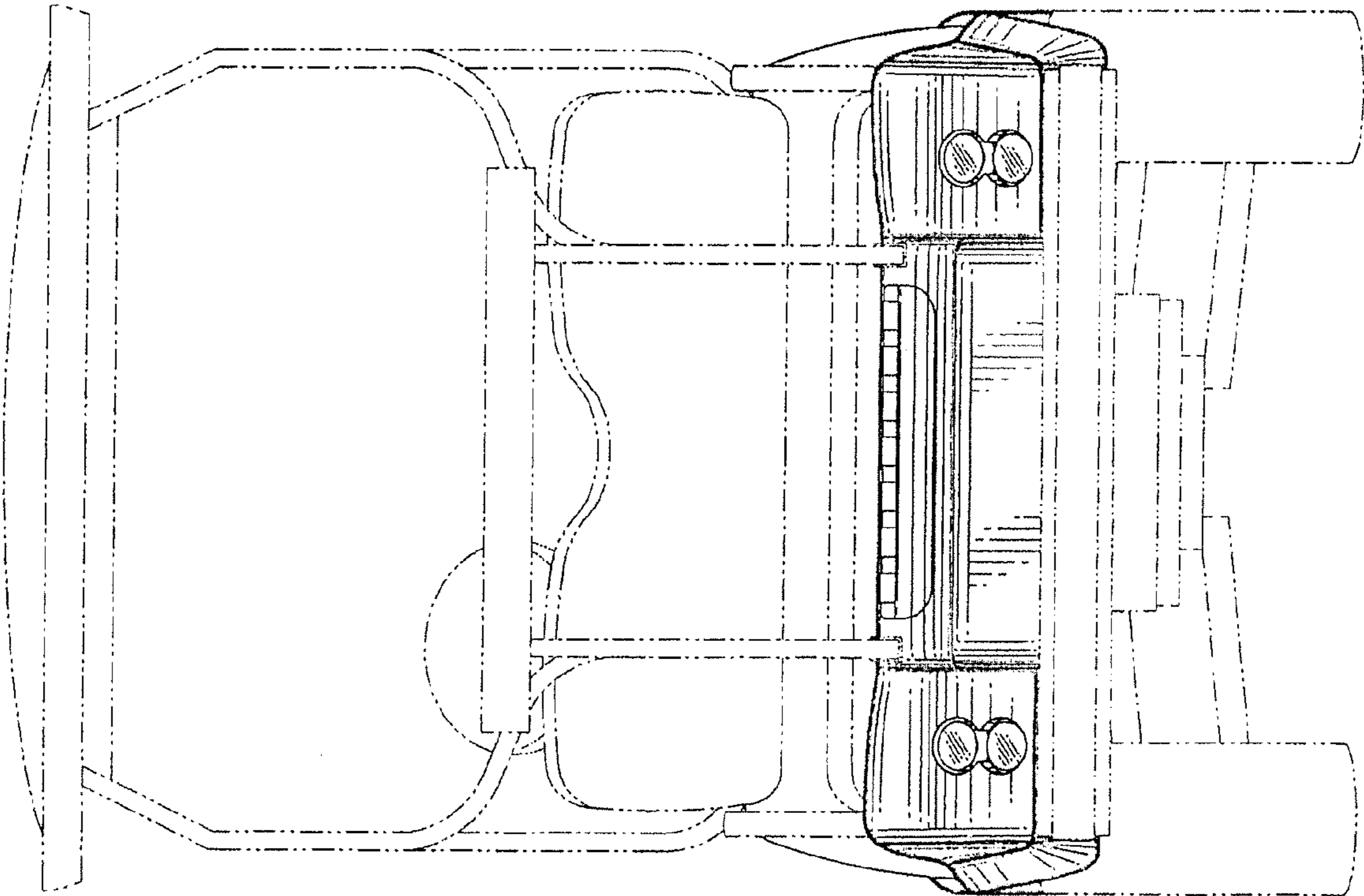


FIG. 4

FIG. 5

