



US00D617228S

(12) **United States Design Patent**  
**Shin**

(10) **Patent No.:** **US D617,228 S**  
(45) **Date of Patent:** **\*\* Jun. 8, 2010**

(54) **THREE SECTION LIGHT BAR**

(76) Inventor: **David D Shin**, 7322 Madison St.,  
Paramount, CA (US) 90723

(\*\*) Term: **14 Years**

(21) Appl. No.: **29/338,963**

(22) Filed: **Jun. 22, 2009**

(51) **LOC (9) Cl.** ..... **10-05**

(52) **U.S. Cl.** ..... **D10/114**

(58) **Field of Classification Search** ..... D10/114;  
D26/72, 85; 362/540-549

See application file for complete search history.

(56) **References Cited**

U.S. PATENT DOCUMENTS

2,814,029	A	11/1957	McRea	
3,278,741	A	10/1966	Wood	
D249,250	S	9/1978	Peirisj, Jr.	
4,357,595	A	11/1982	Gosswiller	
D274,001	S	5/1984	Sailers	
4,620,268	A	10/1986	Ferenc	
4,937,711	A	6/1990	Shuen	
4,956,753	A	9/1990	Renfrew	
D324,921	S	3/1992	Stanuch et al.	
D355,142	S	2/1995	Wagner	
D400,675	S	11/1998	Sopko	
D419,249	S	1/2000	Ford et al.	
D442,106	S	5/2001	Stein et al.	
6,461,008	B1	10/2002	Pederson	
D476,253	S *	6/2003	Stein et al. ....	D10/114
6,590,502	B1	7/2003	Pederson	
6,623,151	B2	9/2003	Pederson	
6,788,217	B2	9/2004	Pederson	
6,789,930	B2	9/2004	Pederson	
6,814,459	B2	11/2004	Pederson	
6,822,578	B2	11/2004	Pederson	

D499,976	S *	12/2004	Neufeglise et al. ....	D10/114
7,033,036	B2	4/2006	Pederson	
7,394,398	B2	7/2008	Pederson	
D584,980	S *	1/2009	Shin .....	D10/114
D602,391	S *	10/2009	Stein .....	D10/114

\* cited by examiner

*Primary Examiner*—Caron Veynar  
*Assistant Examiner*—George D Kirschbaum  
(74) *Attorney, Agent, or Firm*—Kirk A. Buhler; Buhler & Associates

(57) **CLAIM**

The ornamental design for a three section light bar, as shown and described.

**DESCRIPTION**

FIG. 1 is a top, left perspective view of a three section light bar showing my new design;

FIG. 2 is a top view thereof;

FIG. 3 is a bottom view thereof;

FIG. 4 is a front view thereof;

FIG. 5 is a back view thereof;

FIG. 6 is a left view thereof;

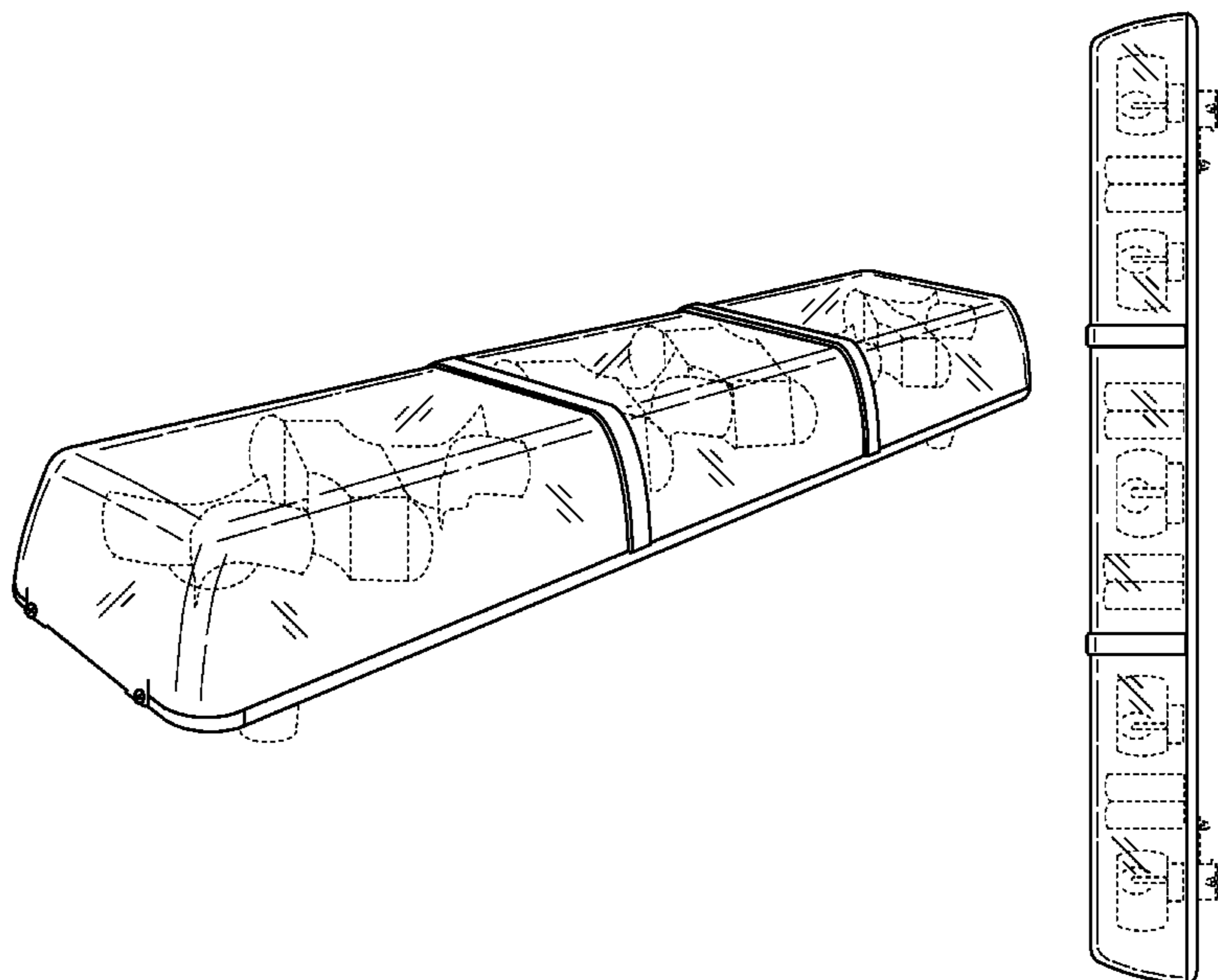
FIG. 7 is a right view thereof; and,

FIG. 8 is a view of the three section light bar mounted on the roof of a vehicle.

The broken lines in FIGS. 1, 2 and 4-8 depict environmental subject matter internal to the invention and form no part of the claimed design.

The broken lines in FIG. 8 depict environmental subject matter of a vehicle and form no part of the claimed design.

**1 Claim, 5 Drawing Sheets**



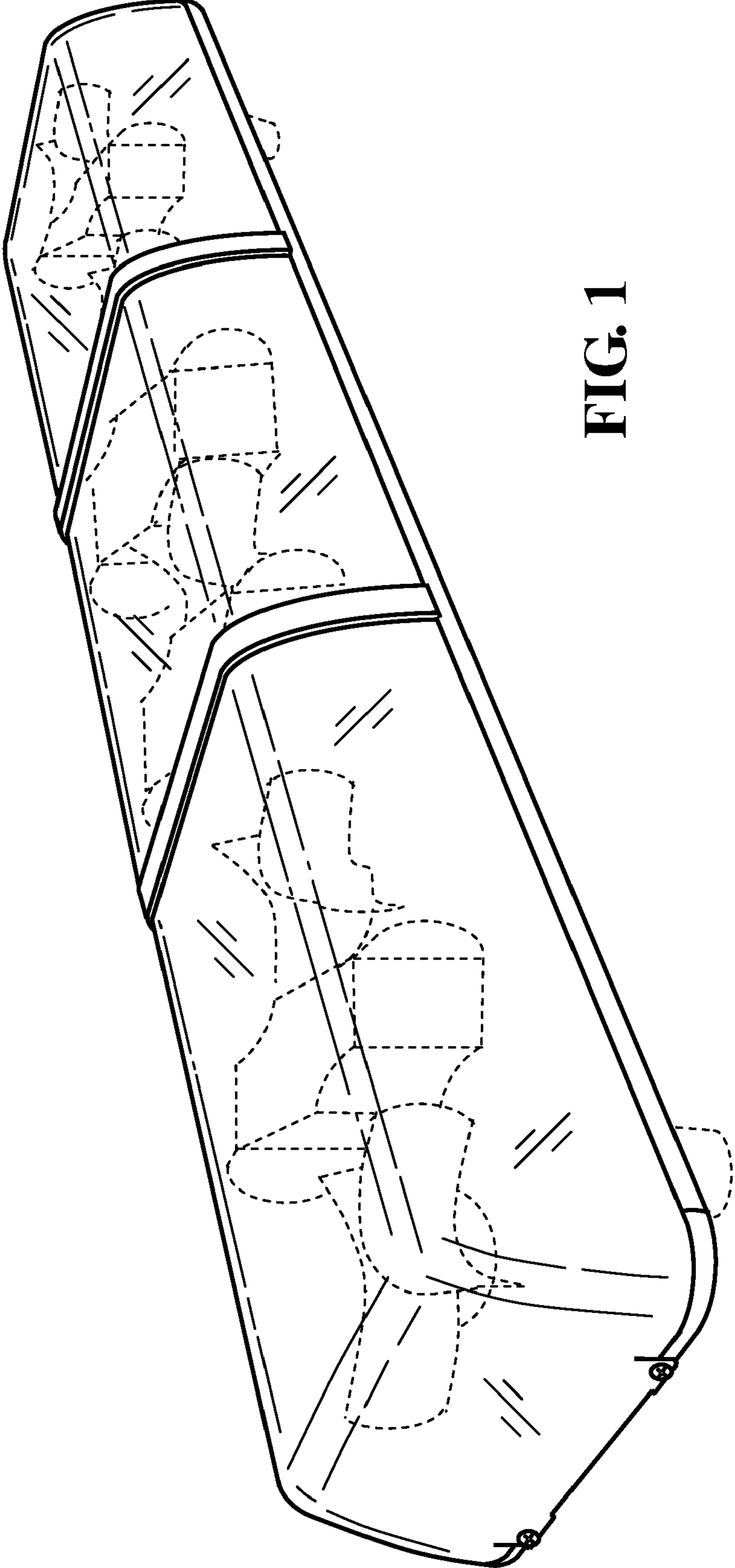


FIG. 1

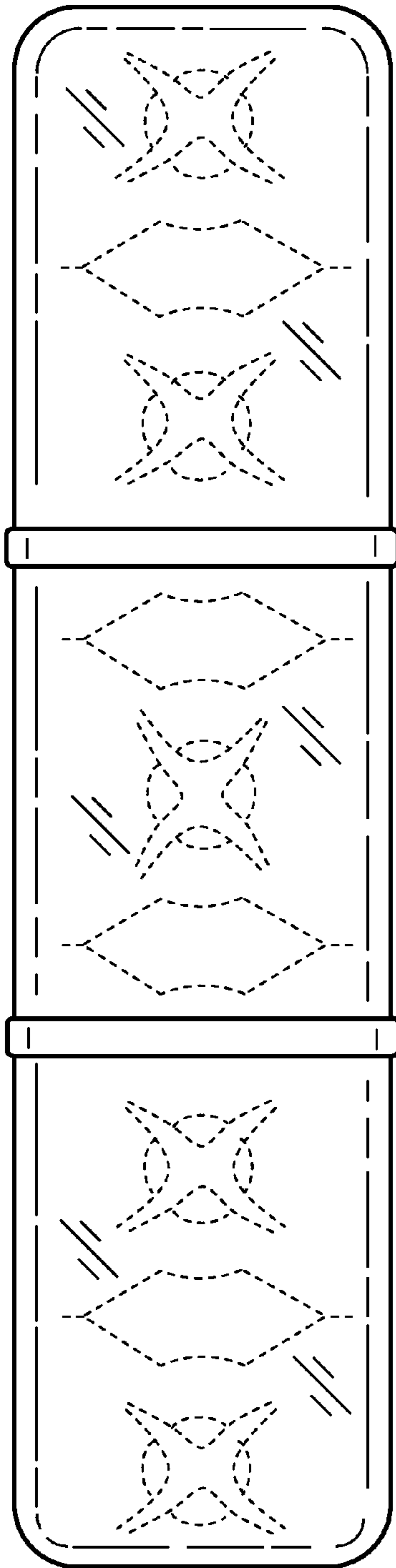


FIG. 2

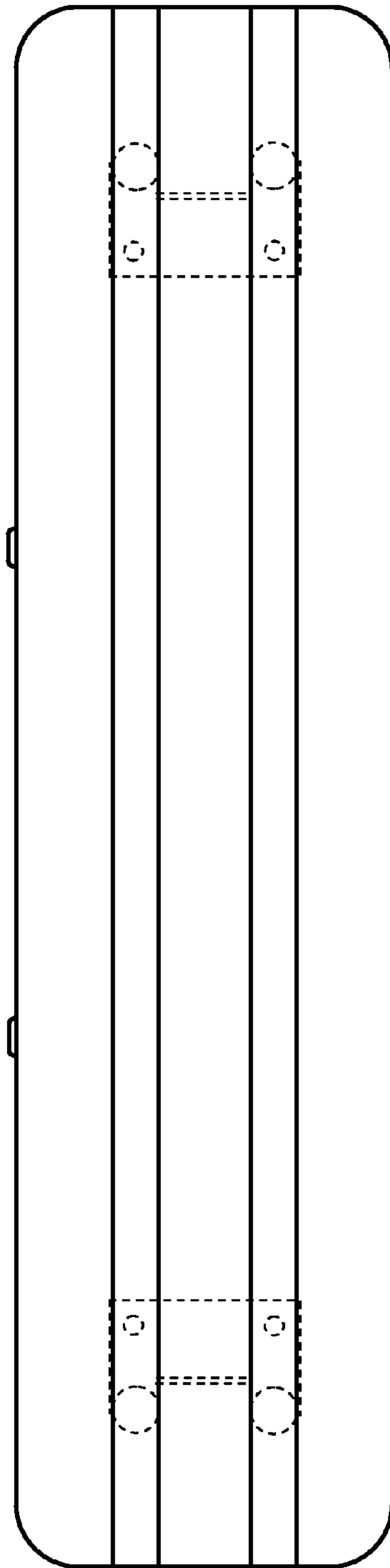


FIG. 3

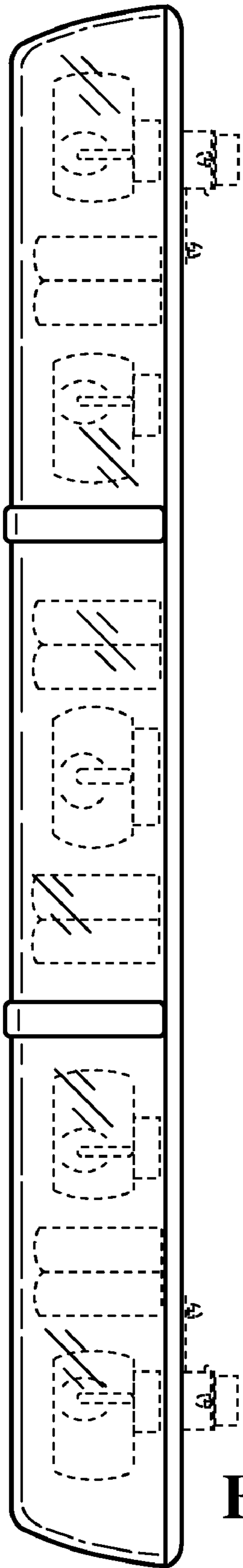


FIG. 4

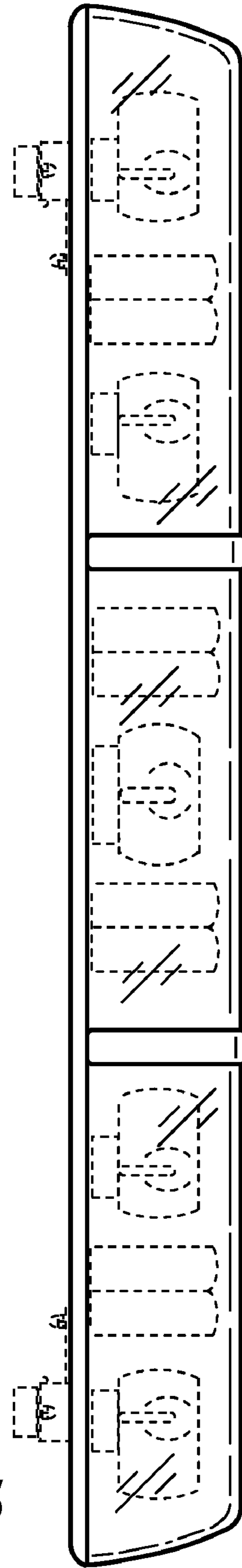
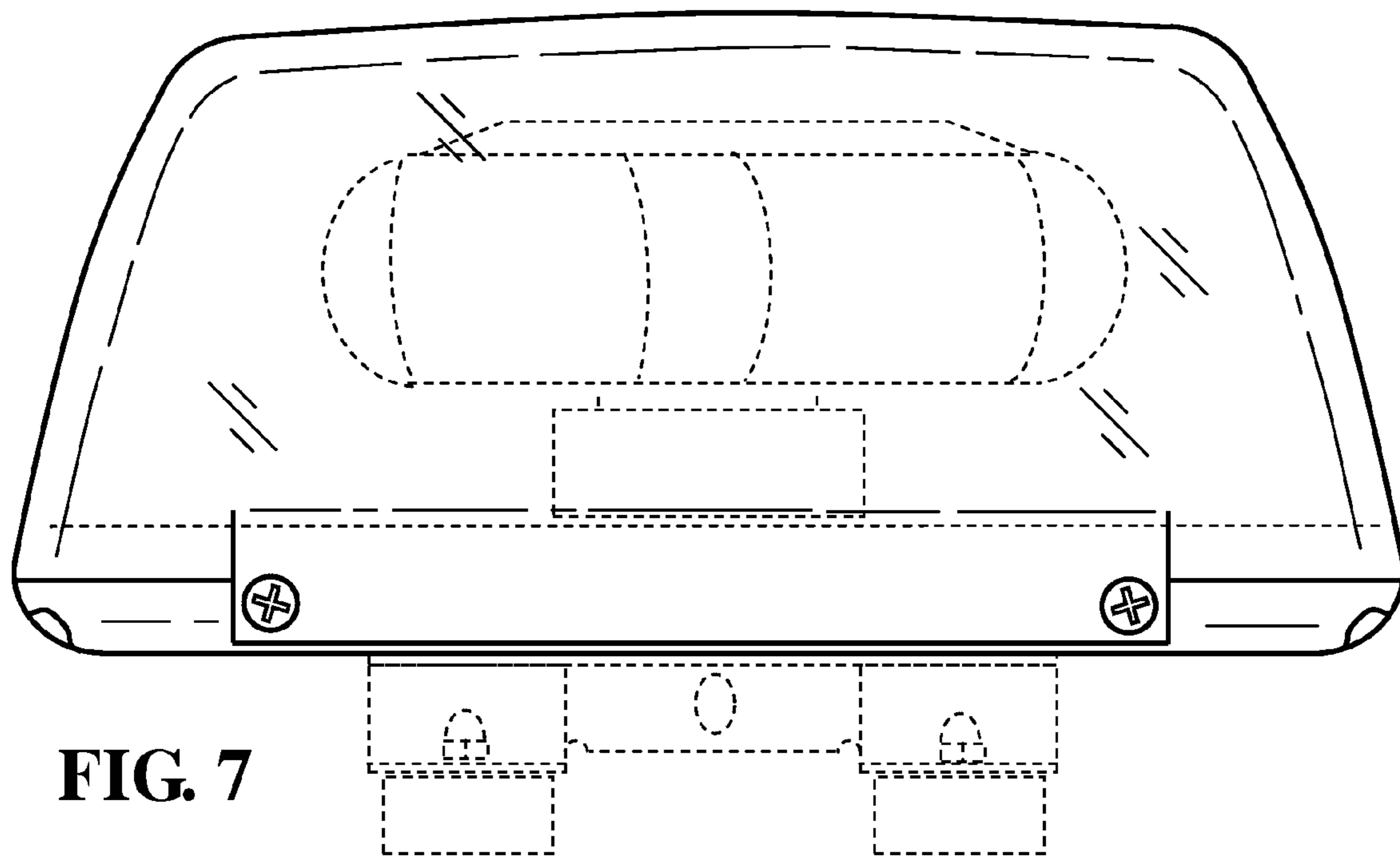
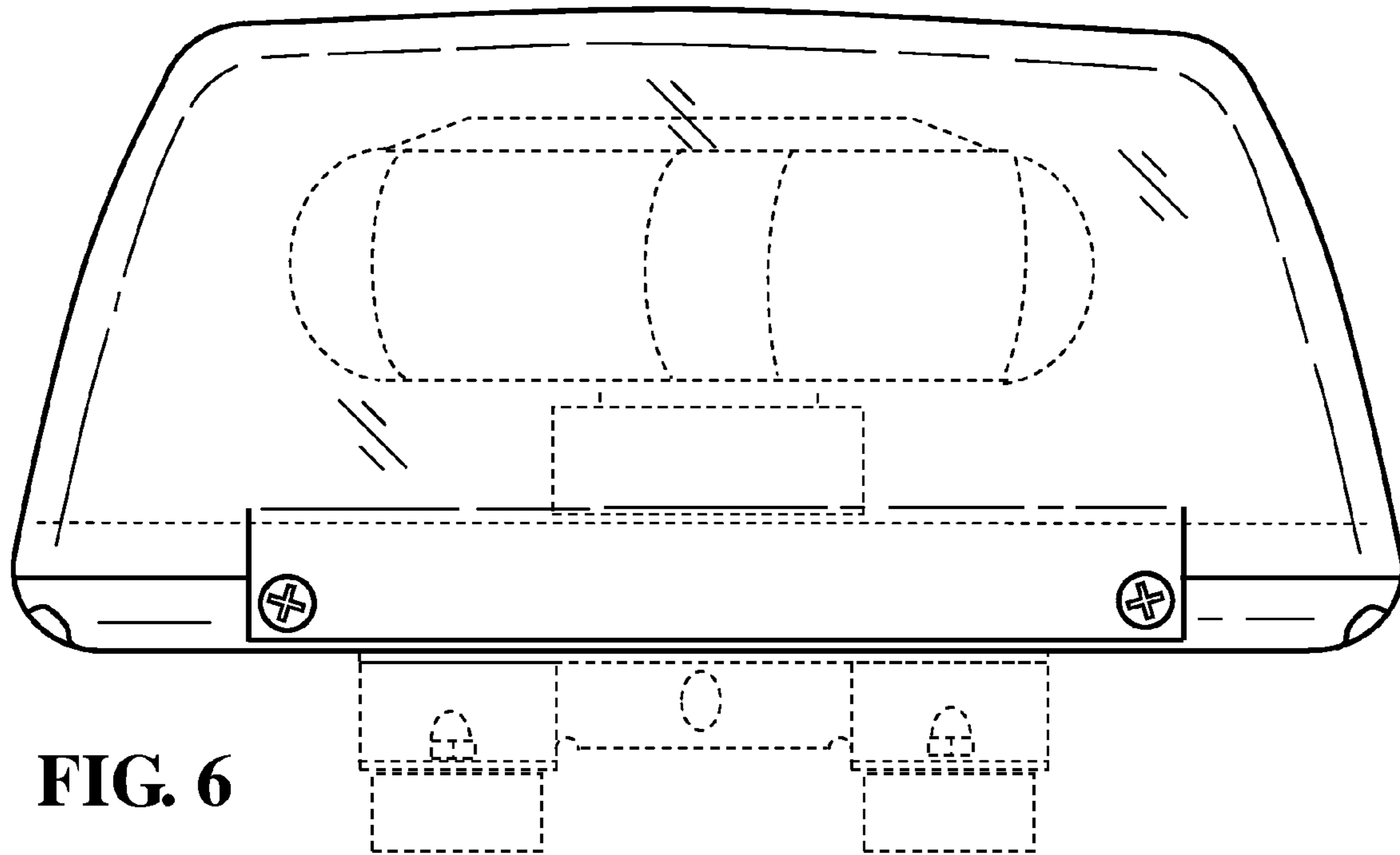
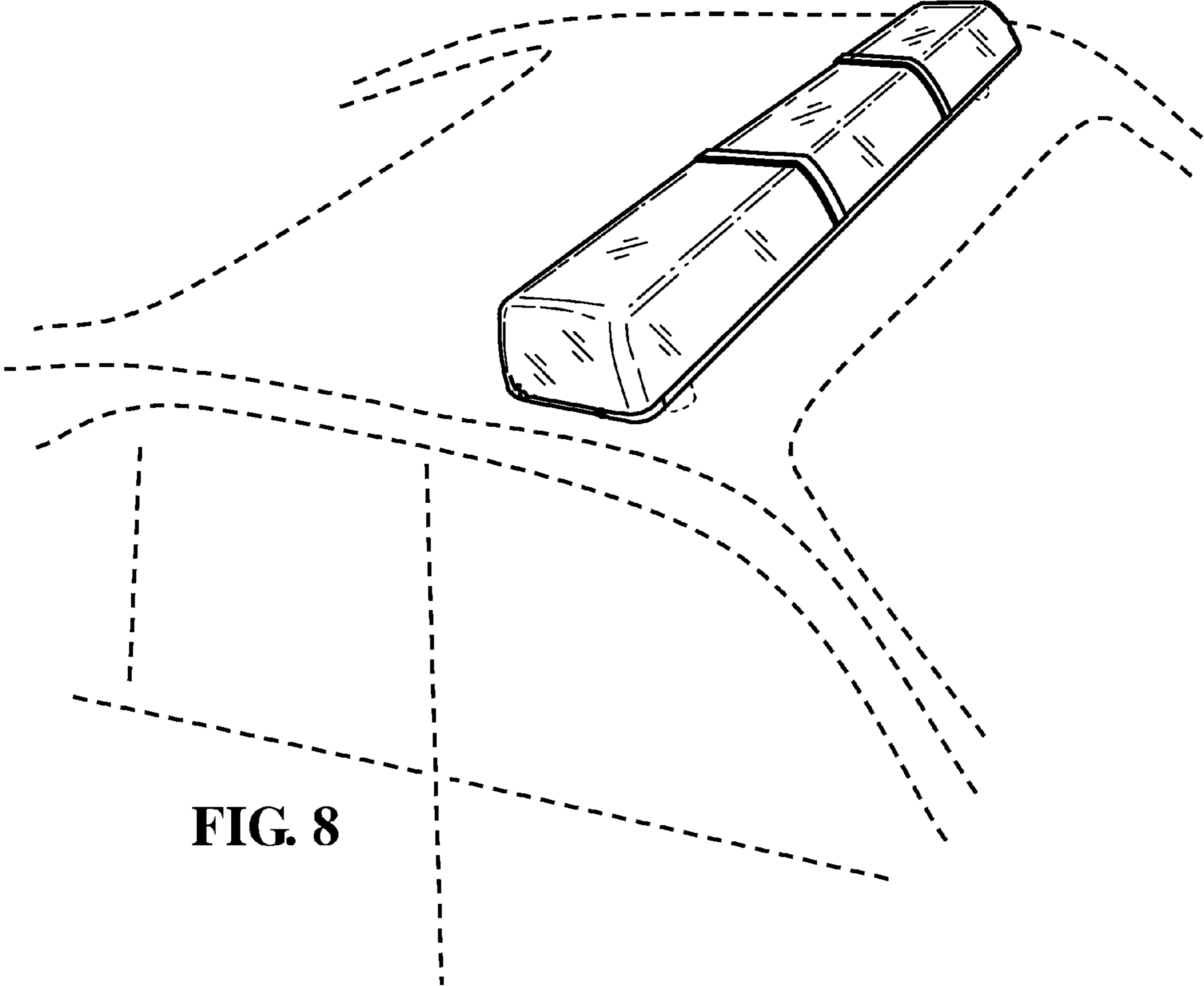


FIG. 5





**FIG. 8**