



US00D617226S

(12) **United States Design Patent**
Cai

(10) **Patent No.:** **US D617,226 S**

(45) **Date of Patent:** **** Jun. 8, 2010**

(54) **LED LIGHTBAR**

2009/0116257 A1* 5/2009 Rosemeyer et al. 362/493

(76) Inventor: **Yimei Cai**, Ningbo Yinzhou Self
Photoelectron Technology Co., Ltd.,
Qianzhou Village, Zhonggongmiao
Town, Yinzhou Center Area, Ningbo
City, Zhejiang Province, 315194 (CN)

* cited by examiner

Primary Examiner—Caron Veynar
Assistant Examiner—George D Kirschbaum
(74) *Attorney, Agent, or Firm*—Raymond Y. Chan; David and
Raymond Patent Firm

(**) Term: **14 Years**

(21) Appl. No.: **29/316,985**

(22) Filed: **Nov. 16, 2009**

(51) **LOC (9) Cl.** **10-05**

(52) **U.S. Cl.** **D10/114**

(58) **Field of Classification Search** D10/114;
D26/72, 85; 362/540–549

See application file for complete search history.

(56) **References Cited**

U.S. PATENT DOCUMENTS

D432,444 S *	10/2000	Sasaki et al.	D10/114
D476,253 S *	6/2003	Stein et al.	D10/114
D499,976 S *	12/2004	Neufeglise et al.	D10/114
D585,318 S *	1/2009	Jalala	D10/114
D595,173 S *	6/2009	Shin	D10/114

(57) **CLAIM**

The ornamental design for a LED lightbar, as shown and described.

DESCRIPTION

FIG. 1 is a perspective view of LED lightbar showing my new design.

FIG. 2 is a front view thereof.

FIG. 3 is a rear view thereof.

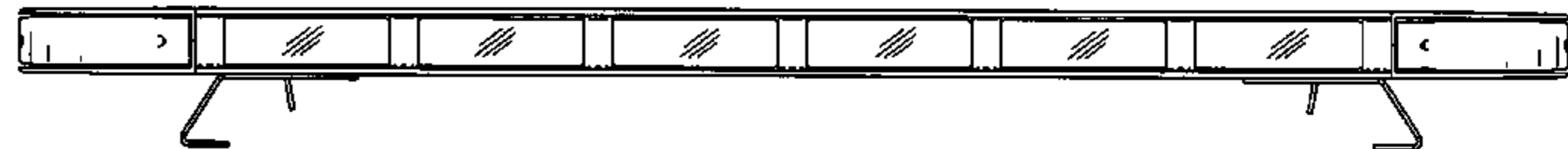
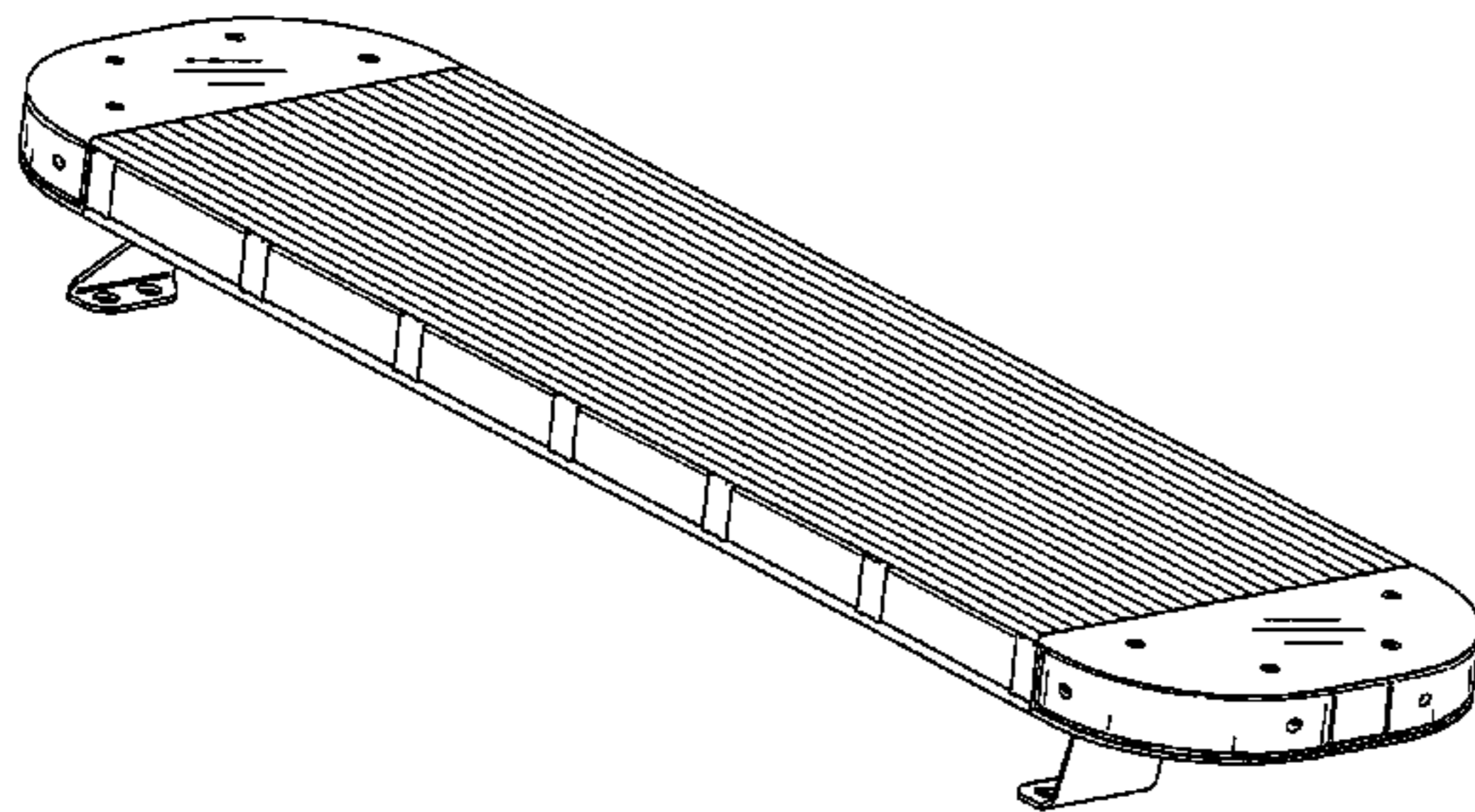
FIG. 4 is a right end view thereof.

FIG. 5 is a left end view thereof.

FIG. 6 is a top view thereof; and,

FIG. 7 is a bottom view thereof.

1 Claim, 7 Drawing Sheets



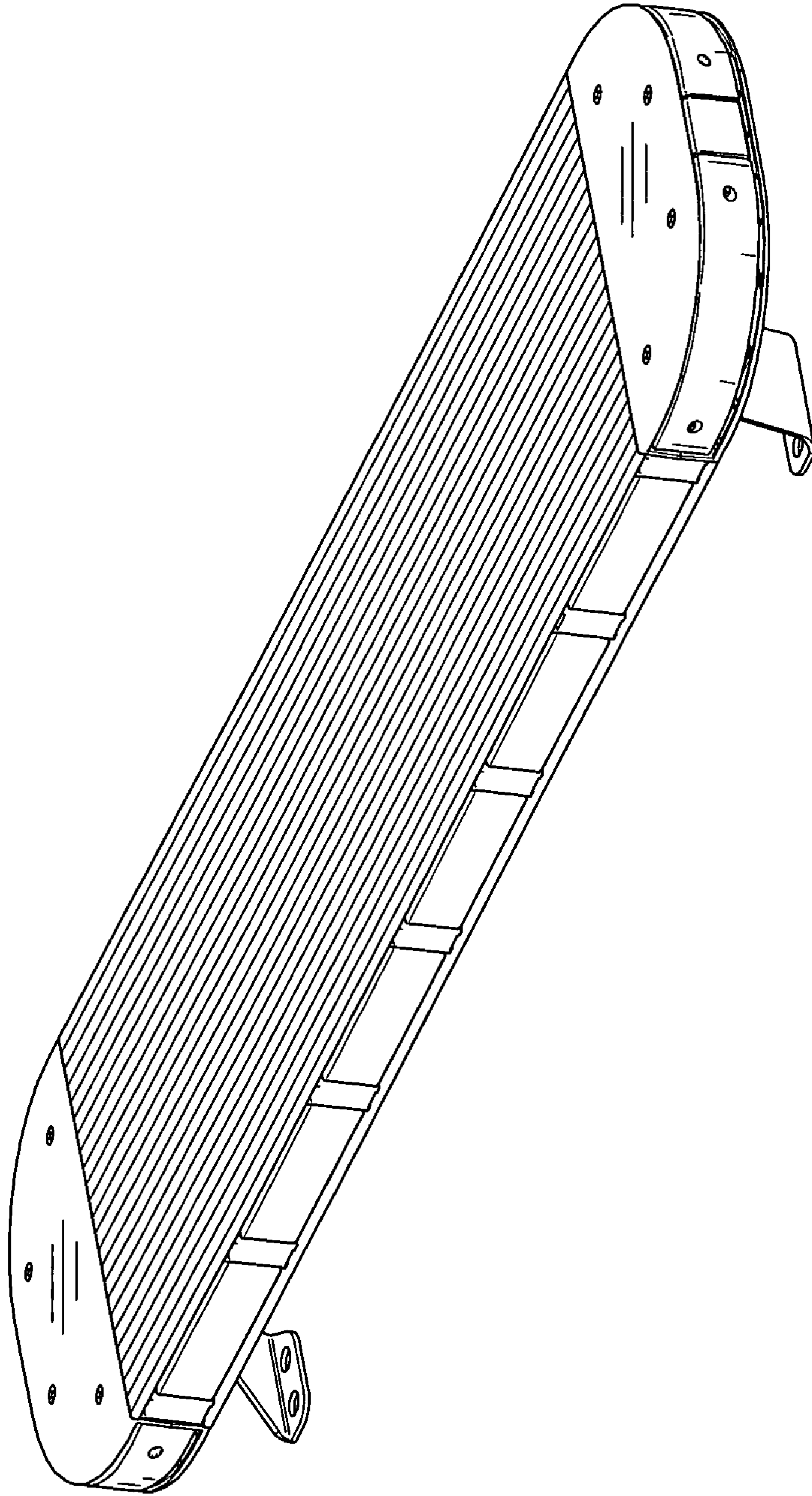


FIG. 1

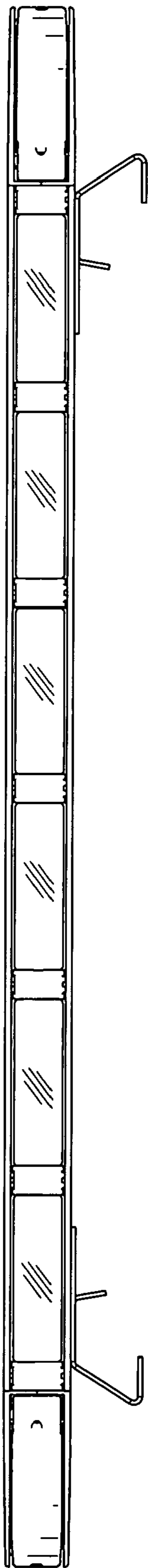


FIG. 2

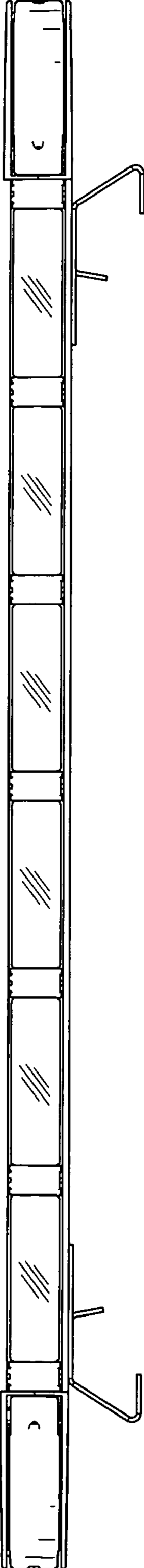


FIG. 3

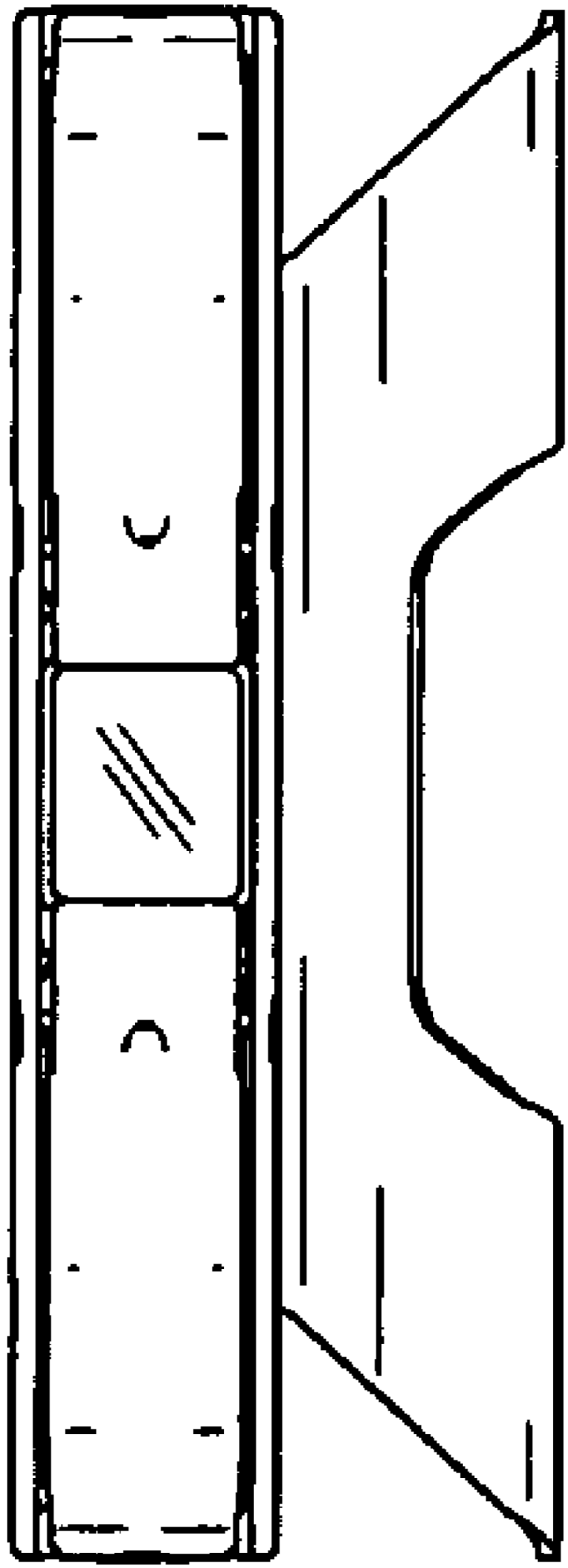


FIG. 4

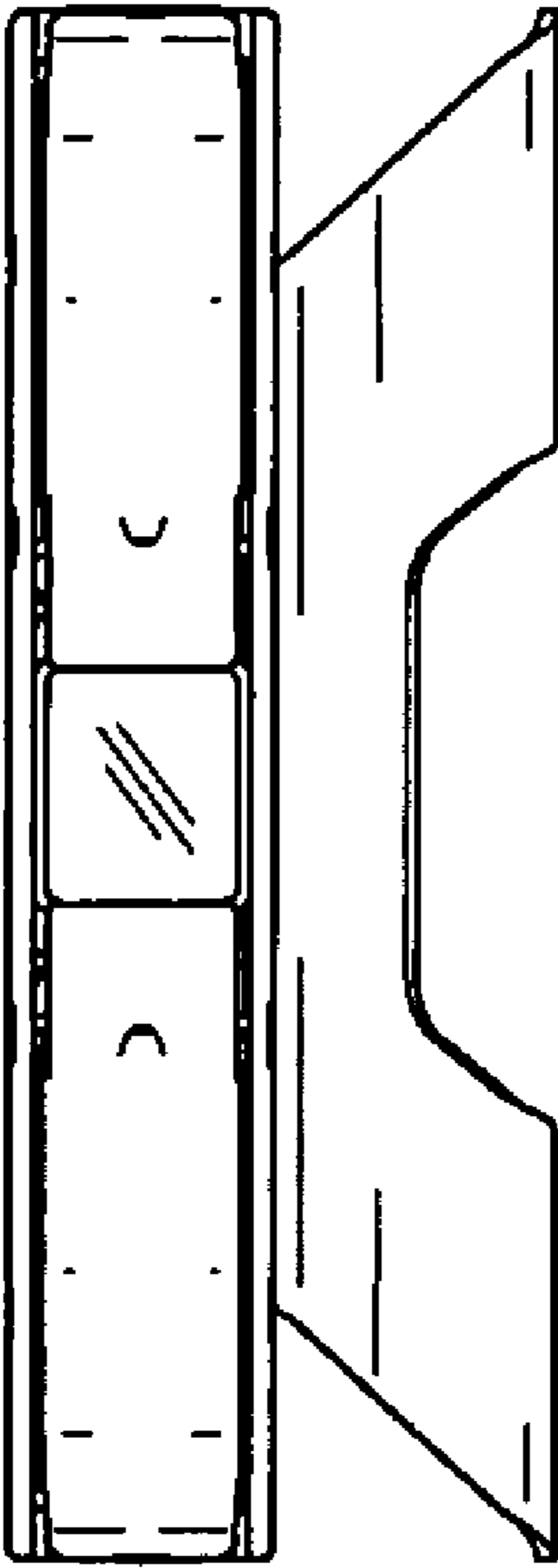


FIG. 5

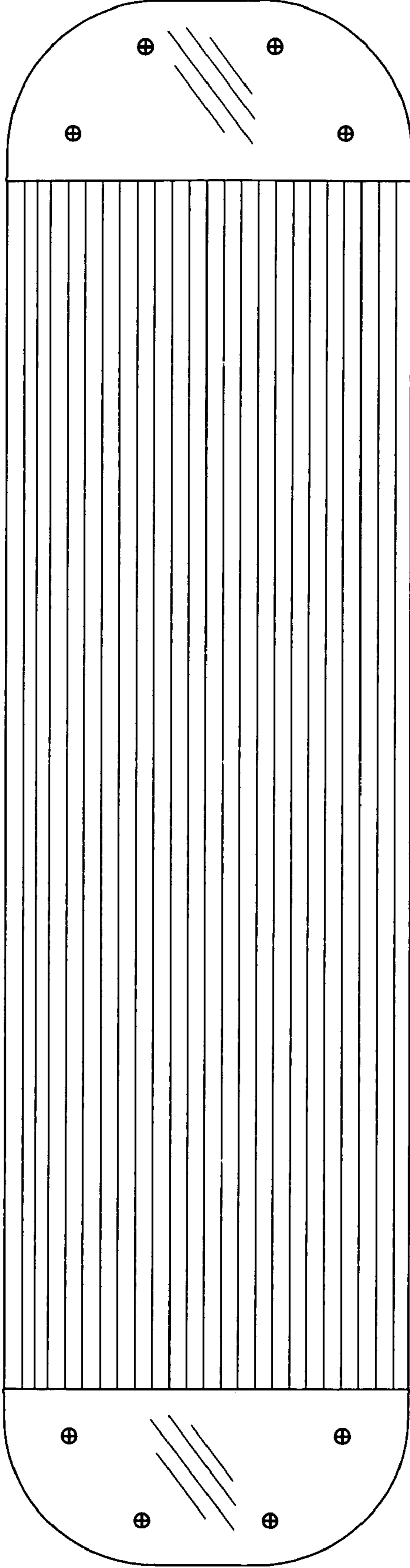


FIG. 6

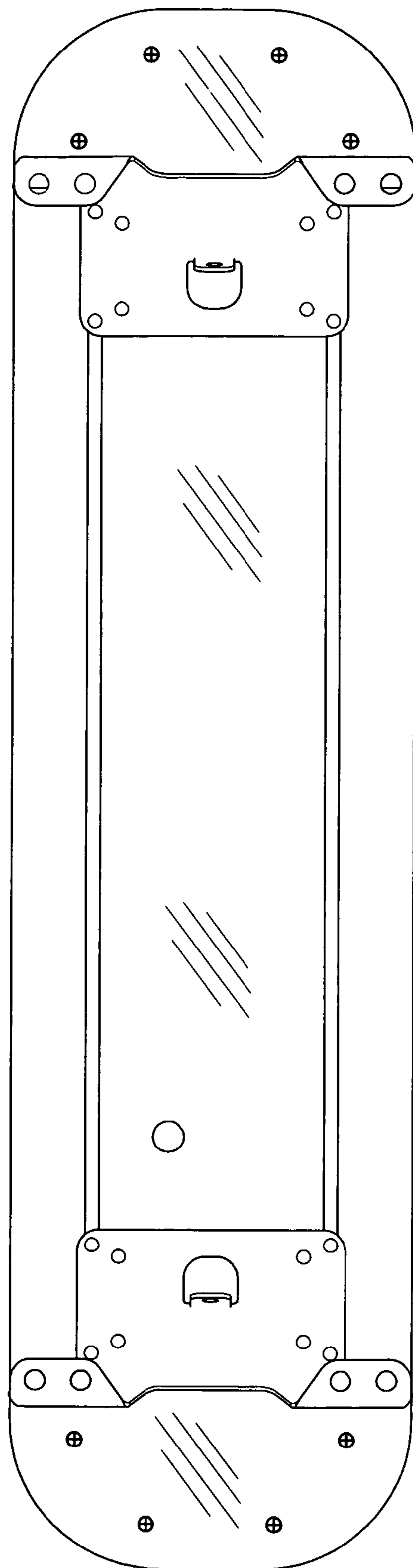


FIG. 7