



US00D617221S

(12) **United States Design Patent**
Emge et al.

(10) **Patent No.:** **US D617,221 S**
(45) **Date of Patent:** **** Jun. 8, 2010**

(54) **MARINE NAVIGATION DEVICE**

(75) Inventors: **Mark B. Emge**, Lawrence, KS (US);
Gregory M. Groener, Prairie Village,
KS (US); **John J. Stutz**, Shawnee, KS
(US); **Aaron X. Molina**, Olathe, KS
(US); **Kathryn M. Gutschenritter**,
Overland Park, KS (US); **Robert L.**
Lembke, Overland Park, KS (US)

(73) Assignee: **Garmin Ltd.** (KY)

(**) Term: **14 Years**

(21) Appl. No.: **29/346,503**

(22) Filed: **Nov. 2, 2009**

(51) **LOC (9) Cl.** **10-04**

(52) **U.S. Cl.** **D10/65**

(58) **Field of Classification Search** D10/65,
D10/70; D14/347; 342/351, 419, 457, 357.06–357.16;
343/702; 345/87, 104, 133, 156, 168, 173,
345/901–905; 348/180, 184, 315, 739; 364/444,
364/499; 701/206–209, 213–214
See application file for complete search history.

(56) **References Cited**

U.S. PATENT DOCUMENTS

D540,703 S	*	4/2007	Skelton et al.	D10/65
D541,683 S	*	5/2007	Shiono	D10/65
D543,875 S	*	6/2007	Skelton et al.	D10/65
D564,374 S	*	3/2008	Wada	D10/65

OTHER PUBLICATIONS

Asus R700, published prior to Oct. 5, 2009.
Bose unit, published prior to Oct. 5, 2009.

Furuno NAVNET 3D, published prior to Oct. 5, 2009.
Garmin GPS 4012 and 5012 Product Images, Apr. 2008.
Garmin's GPSMAP® 4000/5000 Series Owner's Manual, pp. 1-6,
May 2007.
Lowrance HDS10, published prior to Oct. 5, 2009.
Prototype, published prior to Oct. 5, 2009.
VesselView SmartCraft, published prior to Oct. 5, 2009.
U.S. Appl. No. 29/345,087, filed Oct. 9, 2009.
U.S. Appl. No. 29/345,091, filed Oct. 9, 2009.
U.S. Appl. No. 29/346,505, filed Nov. 2, 2009.

* cited by examiner

Primary Examiner—Antoine D Davis

(74) *Attorney, Agent, or Firm*—Samuel M. Korte

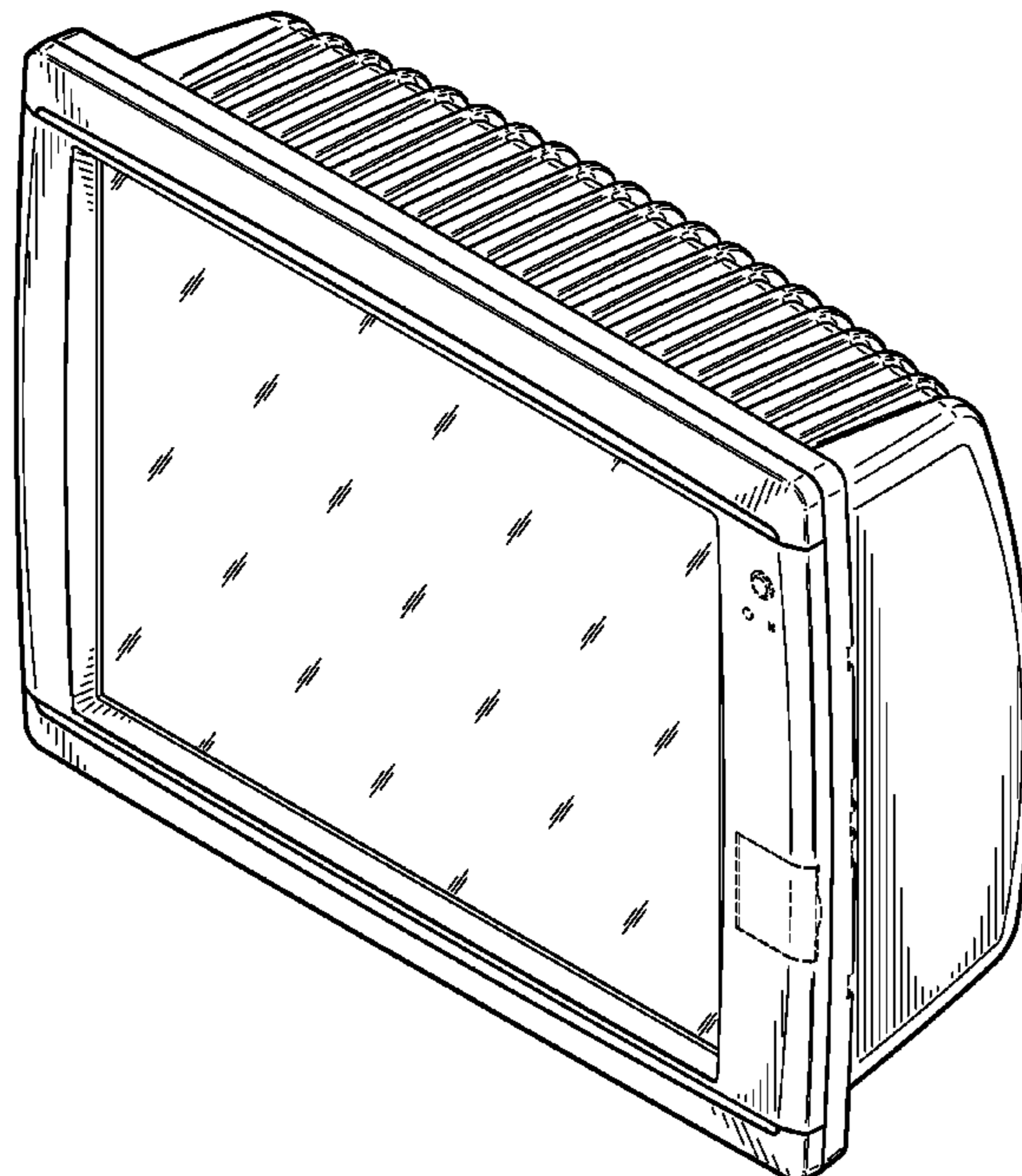
(57) **CLAIM**

The ornamental design for an marine navigation device, as shown and described.

DESCRIPTION

FIG. 1 is a front perspective view of a marine navigation device according to embodiments of the present invention;
FIG. 2 is a rear perspective view of the marine navigation device;
FIG. 3 is a top view of the marine navigation device;
FIG. 4 is a front view of the marine navigation device;
FIG. 5 is a rear view of the marine navigation device;
FIG. 6 is a bottom view of the marine navigation device;
FIG. 7 is a left side view of the marine navigation device; and,
FIG. 8 is a right side view of the marine navigation device.
Portions of FIGS. 1 through 8 are shown in dashed lines for illustrative purposes only and form no part of the claimed design.

1 Claim, 5 Drawing Sheets



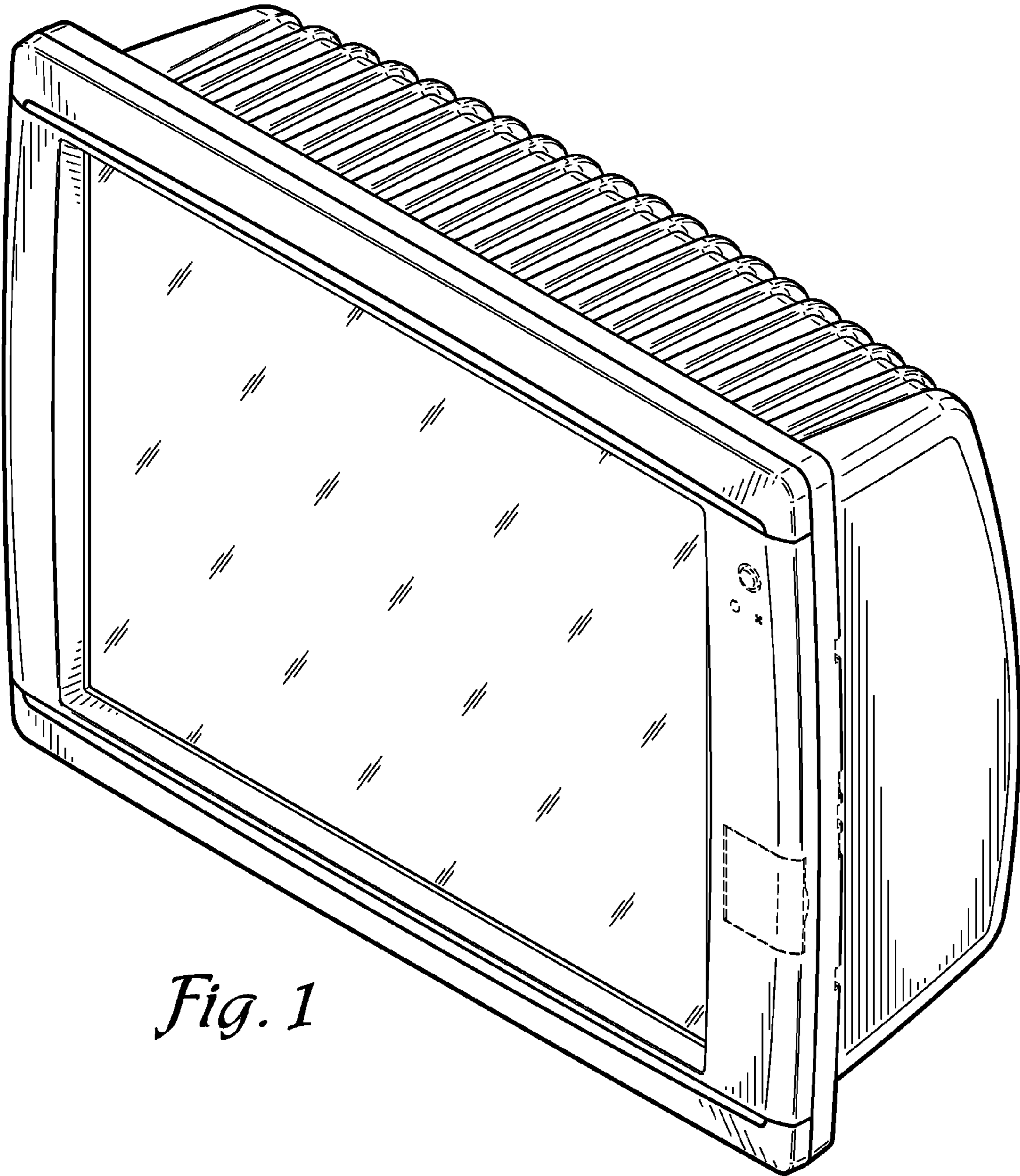


Fig. 1

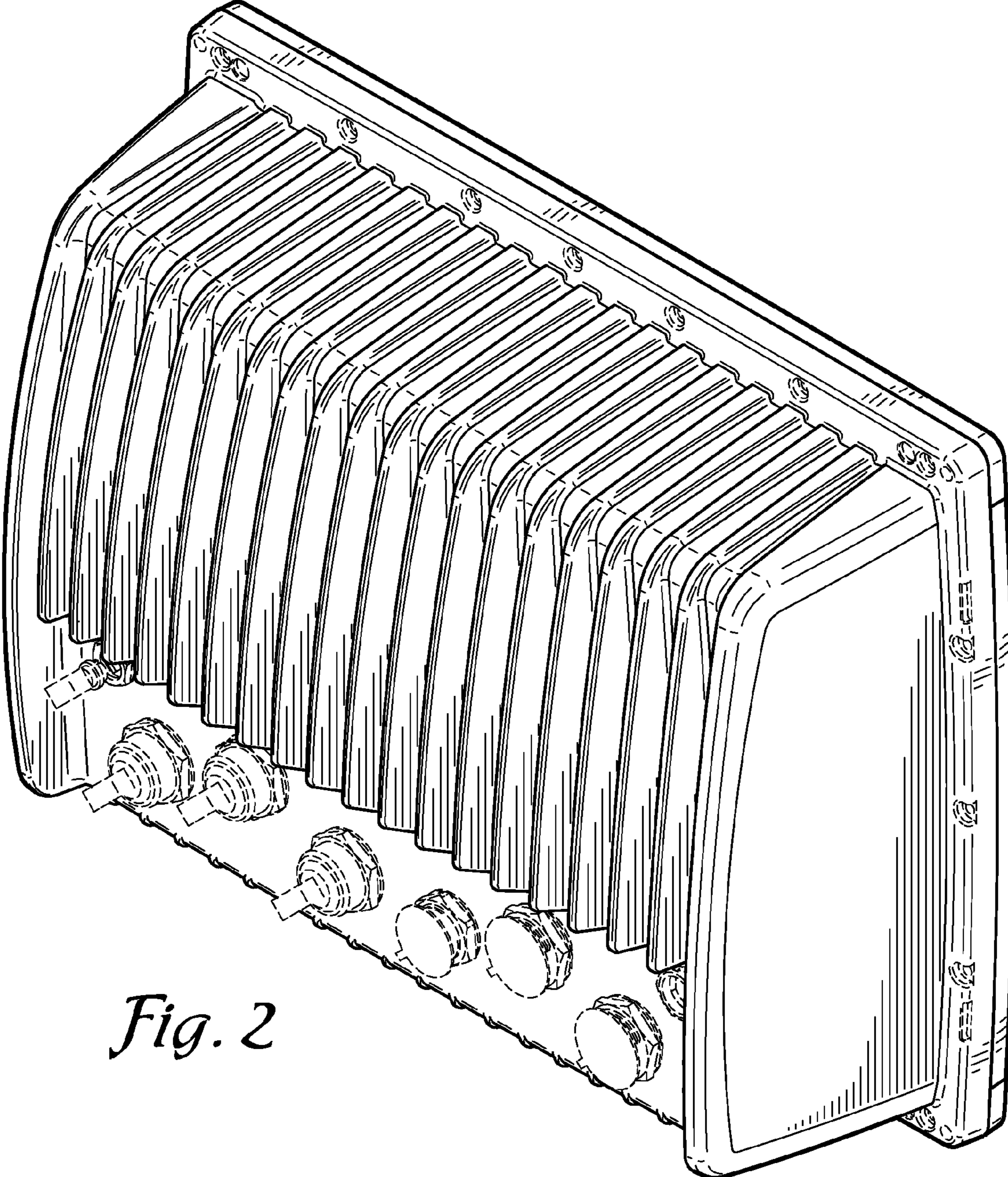


Fig. 2

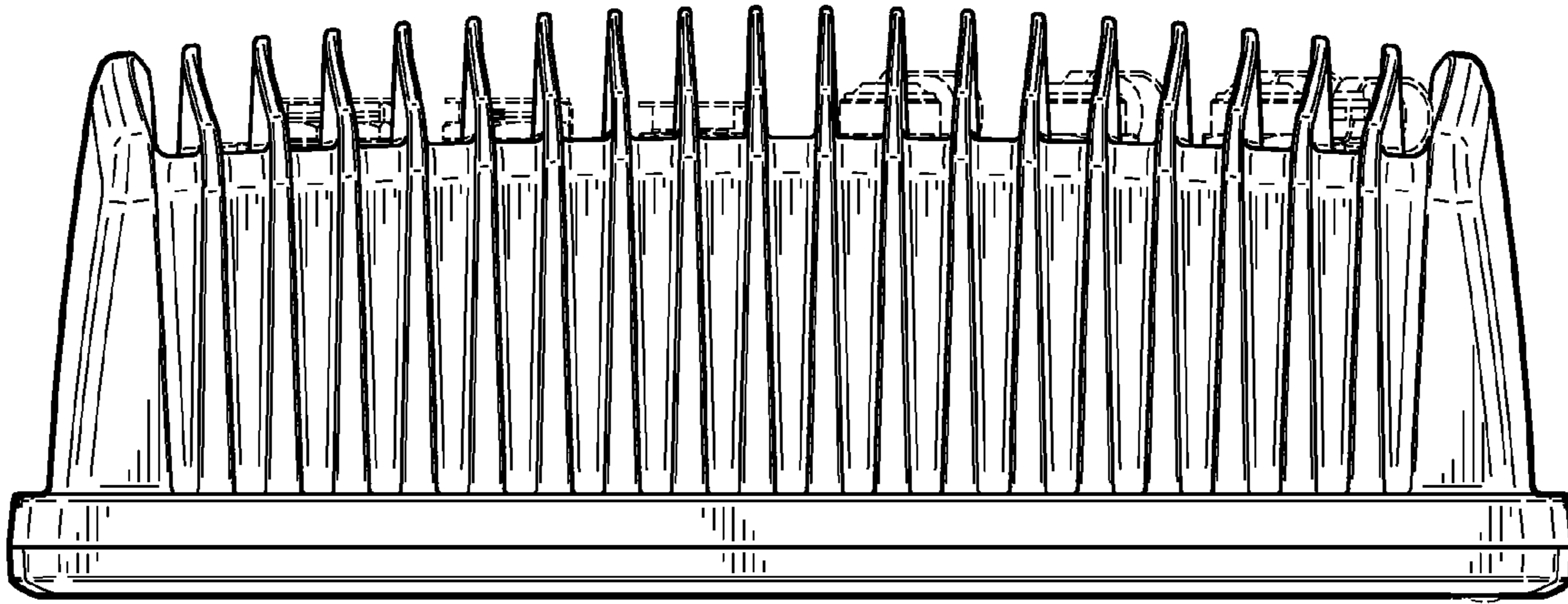


Fig. 3

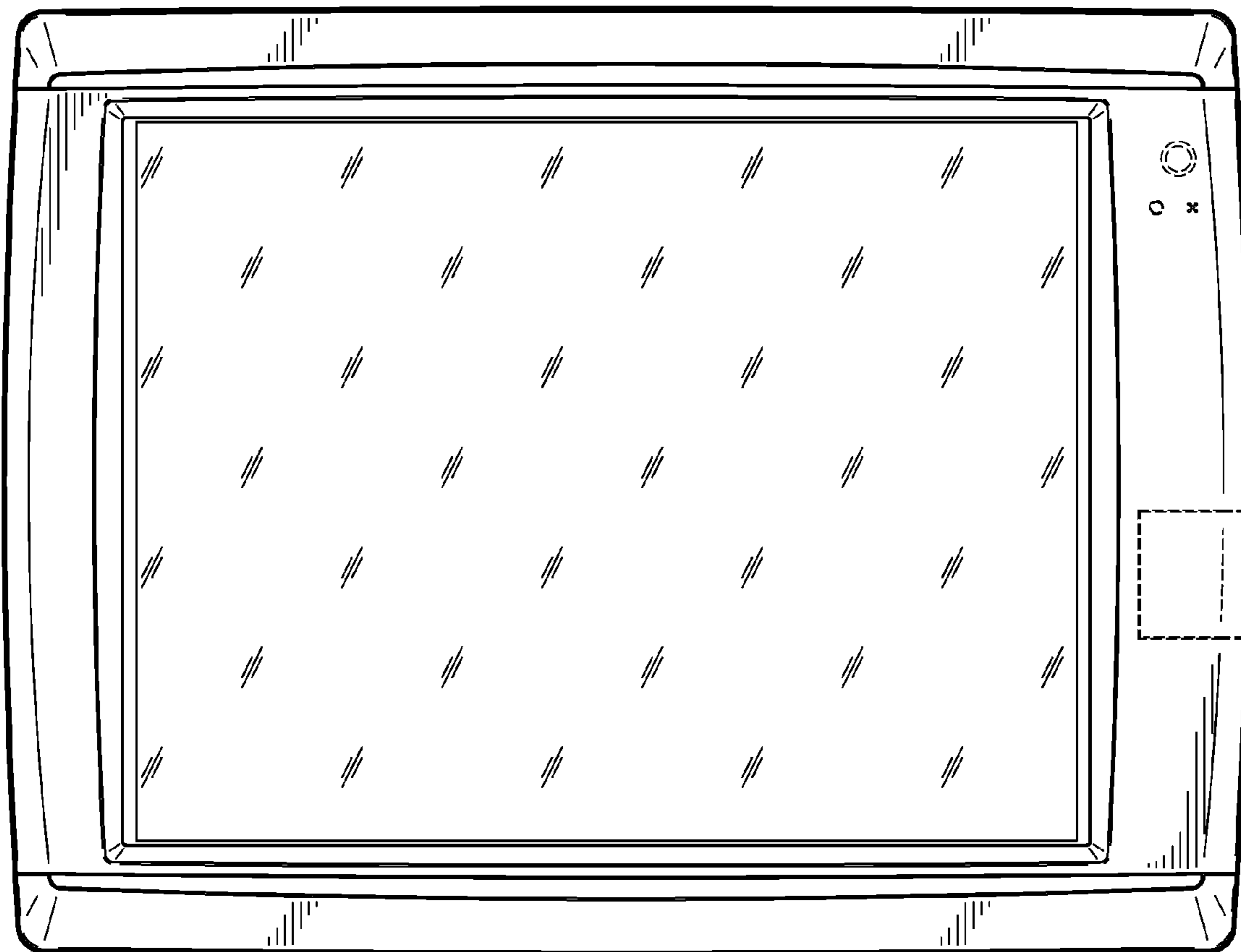


Fig. 4

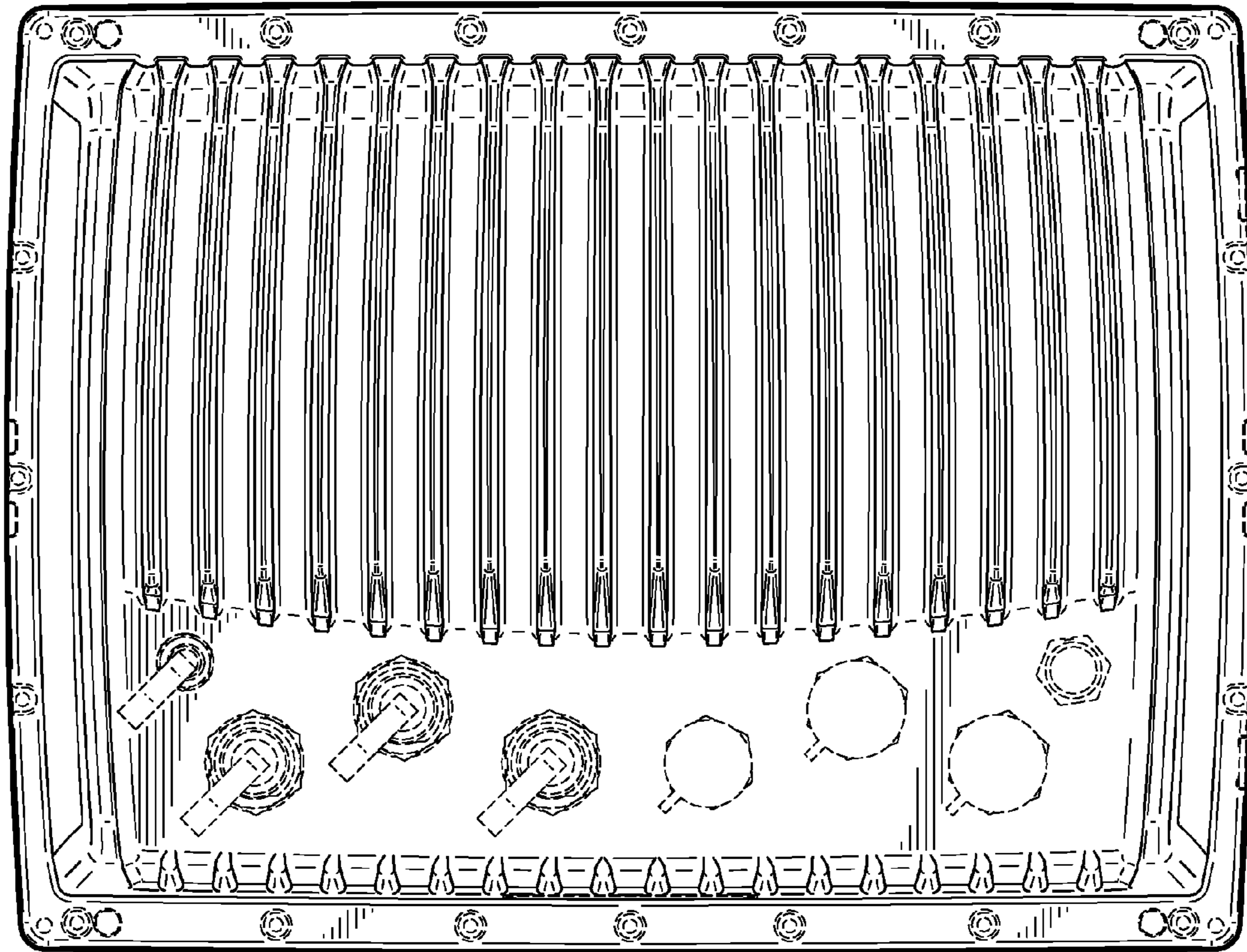


Fig. 5

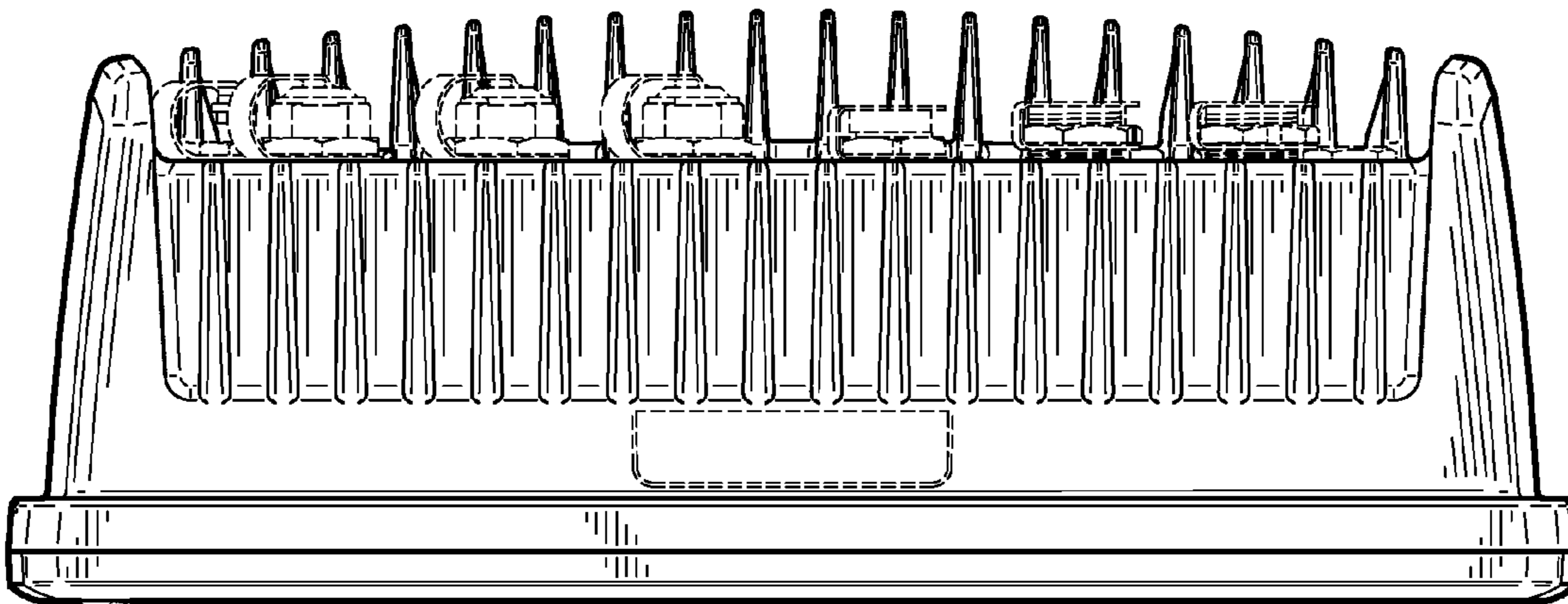


Fig. 6

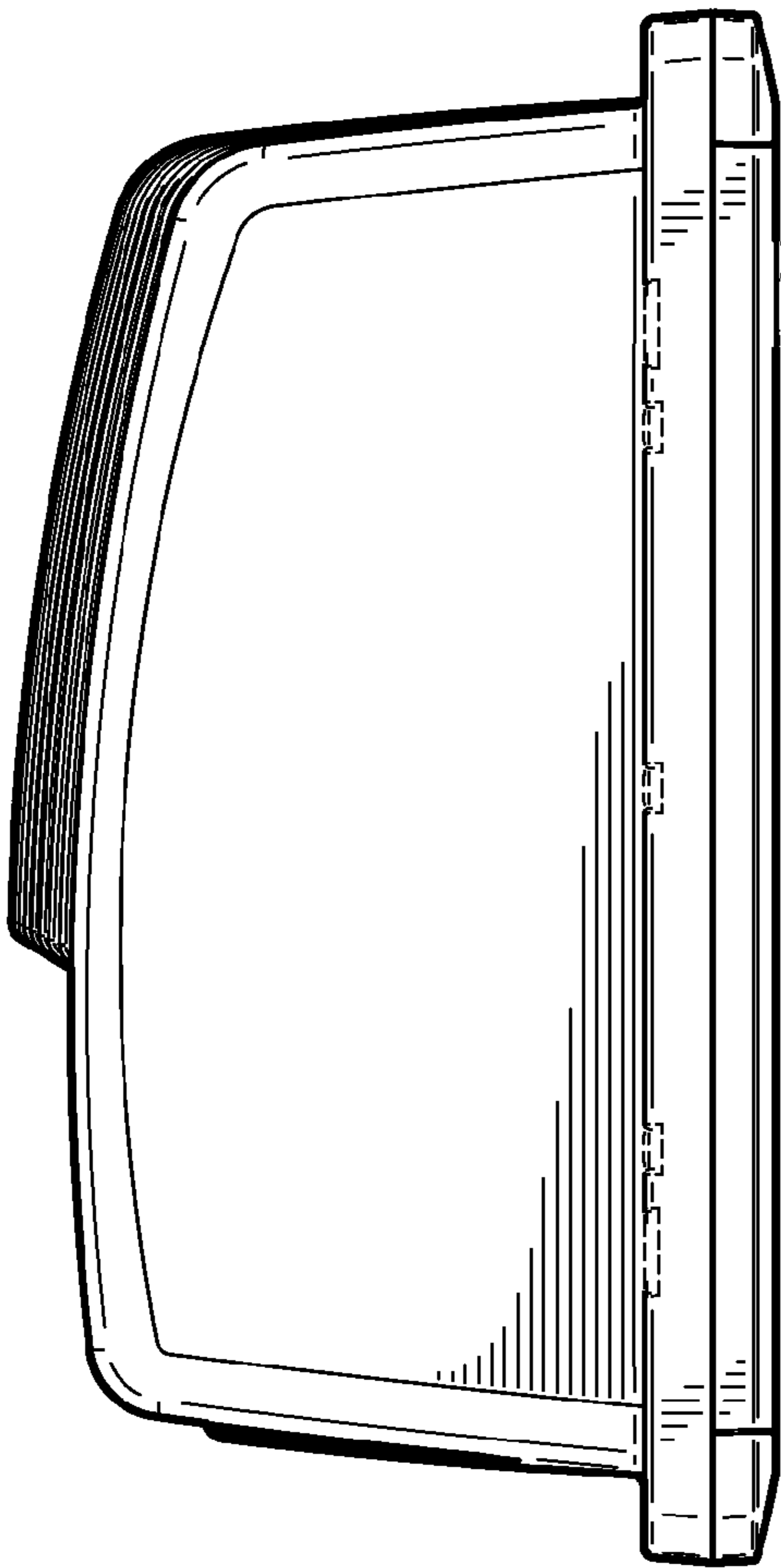


Fig. 7

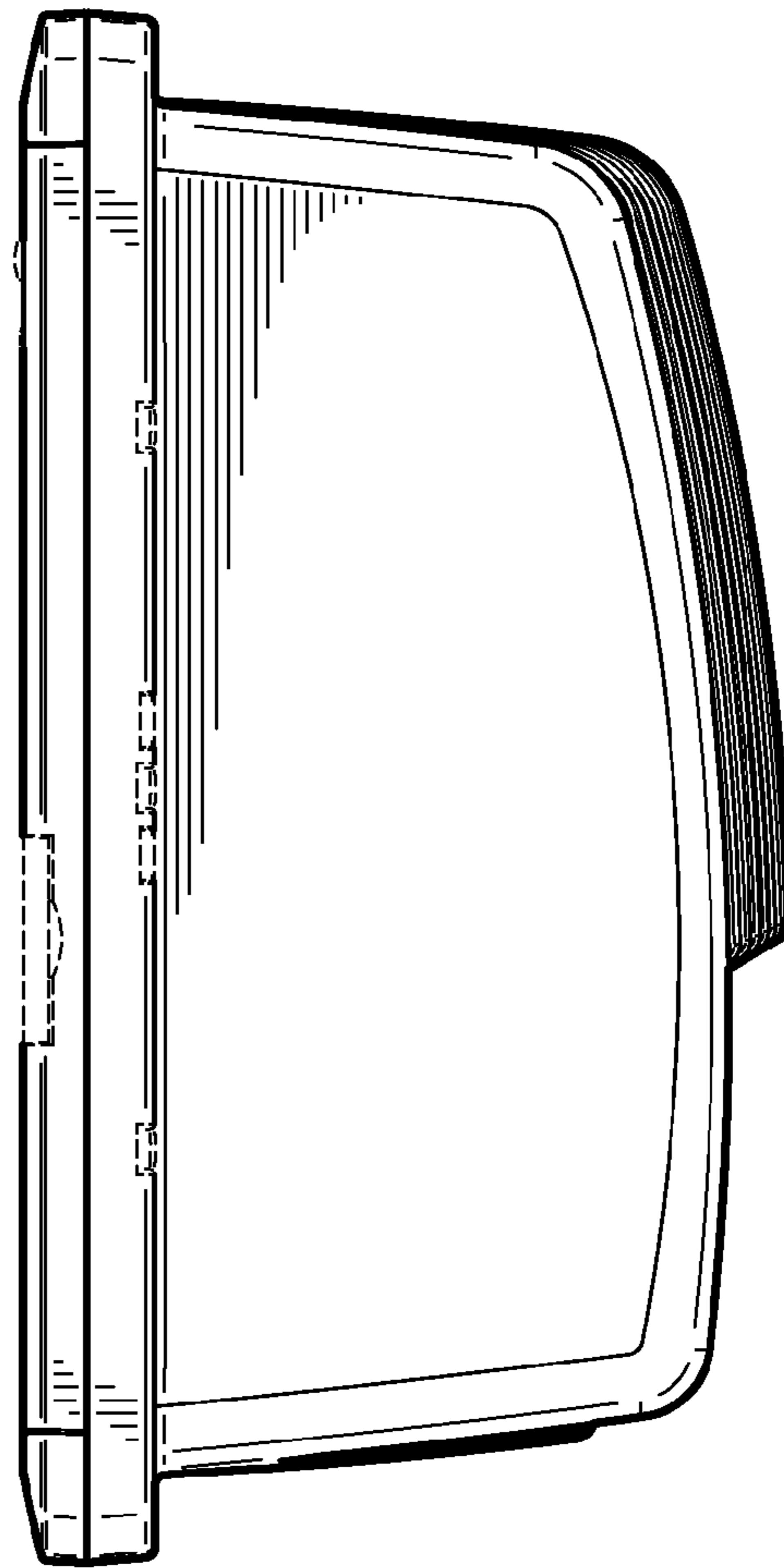


Fig. 8