

US00D617217S

(12) **United States Design Patent**  
**Houlihan et al.**

(10) **Patent No.:** **US D617,217 S**

(45) **Date of Patent:** **\*\* Jun. 8, 2010**

(54) **NON-CONTACT INFRARED PET THERMOMETER**

D570,714 S \* 6/2008 Aulwes et al. .... D10/57  
D579,800 S \* 11/2008 Mobley ..... D10/57  
D582,804 S \* 12/2008 Flandin et al. .... D10/57

(75) Inventors: **Keith Houlihan**, Miami, FL (US); **Craig Sizer**, Miami, FL (US); **Abhishek Shrivastava**, Miami, FL (US)

\* cited by examiner

*Primary Examiner*—Antoine D Davis

(73) Assignee: **Sanomedics Development Corporation**, Miami, FL (US)

(74) *Attorney, Agent, or Firm*—Zarian Midgley & Johnson PLLC

(\*\*) Term: **14 Years**

(21) Appl. No.: **29/341,945**

(22) Filed: **Aug. 14, 2009**

(51) **LOC (9) Cl.** ..... **10-04**

(52) **U.S. Cl.** ..... **D10/57**

(58) **Field of Classification Search** ..... D10/57;  
374/1-208; 600/549

See application file for complete search history.

(56) **References Cited**

U.S. PATENT DOCUMENTS

D399,768 S \* 10/1998 Schwan ..... D10/57  
D400,808 S \* 11/1998 Schwan ..... D10/57  
D446,135 S \* 8/2001 Chen ..... D10/57  
D448,314 S \* 9/2001 Chen ..... D10/57  
D481,321 S \* 10/2003 Knieriem et al. .... D10/57  
D504,335 S \* 4/2005 Stevenson et al. .... D10/57

(57) **CLAIM**

The ornamental design for a non-contact infrared pet thermometer, as shown and described.

**DESCRIPTION**

FIG. 1 is a top plan view of a non-contact infrared pet thermometer;

FIG. 2 is a front elevational view thereof;

FIG. 3 is a bottom view thereof;

FIG. 4 is a left elevational view thereof;

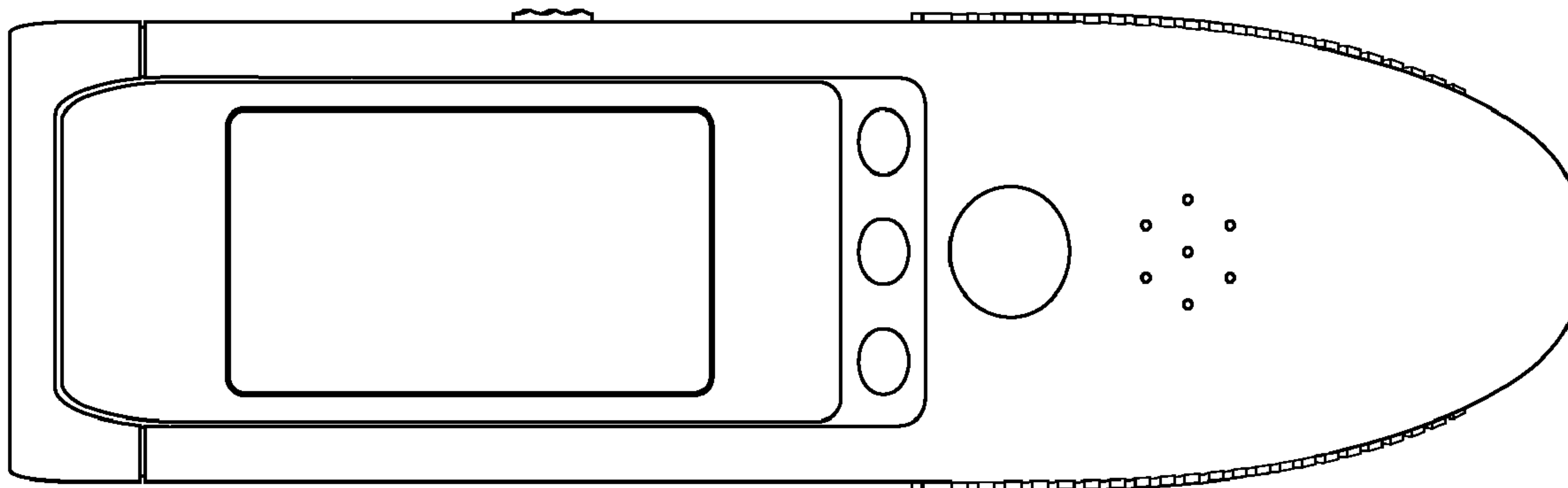
FIG. 5 is a rear elevational view thereof;

FIG. 6 is a right elevational view thereof; and,

FIG. 7 is an isometric view thereof, showing our design.

The claimed non-contact infrared pet thermometer is used to measure animal body temperature from a predetermined distance.

**1 Claim, 3 Drawing Sheets**



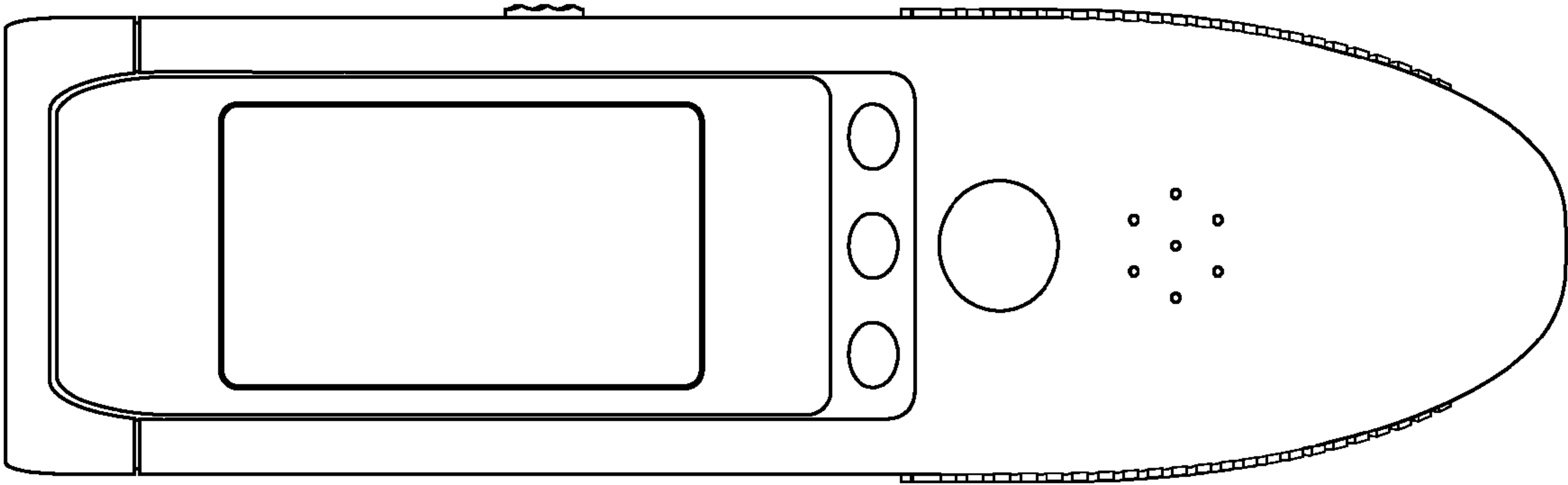


Fig. 1

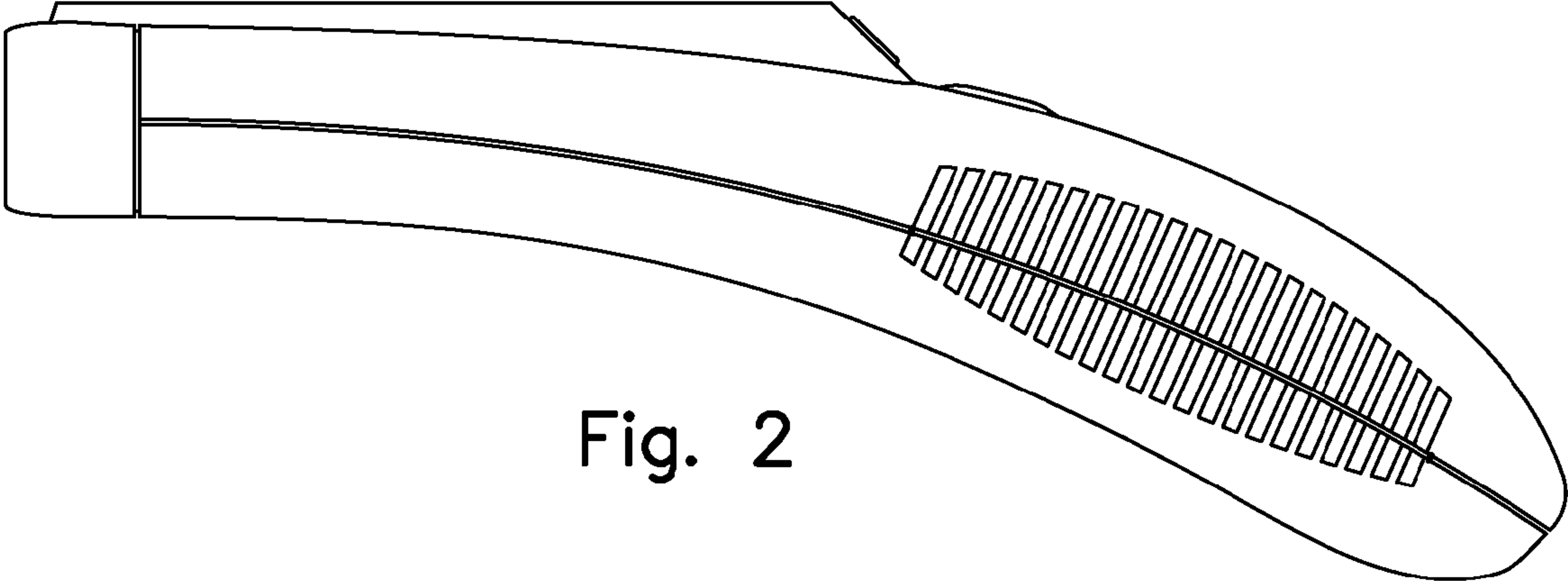


Fig. 2

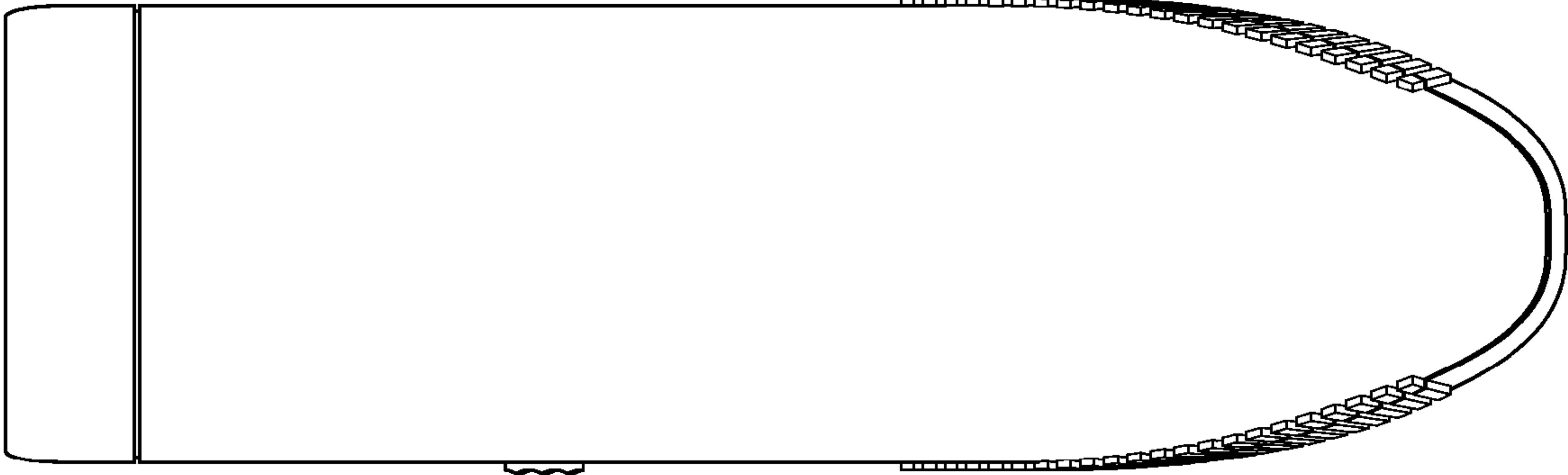


Fig. 3

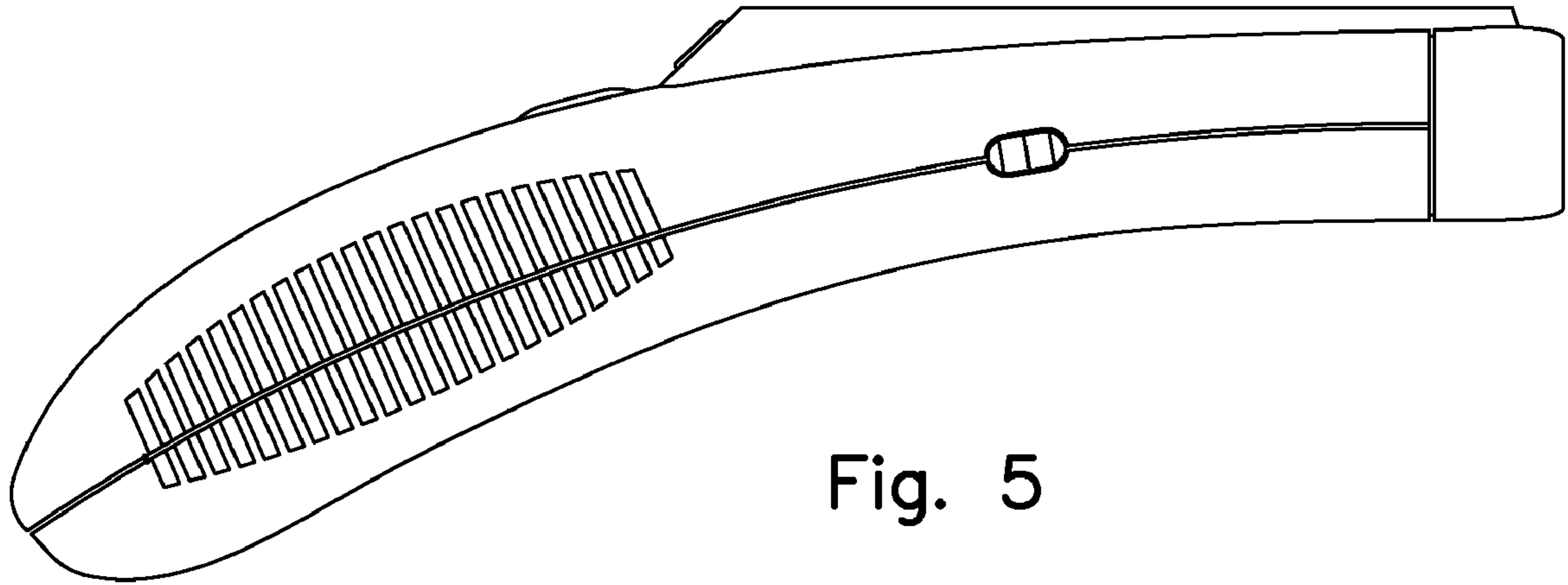


Fig. 5

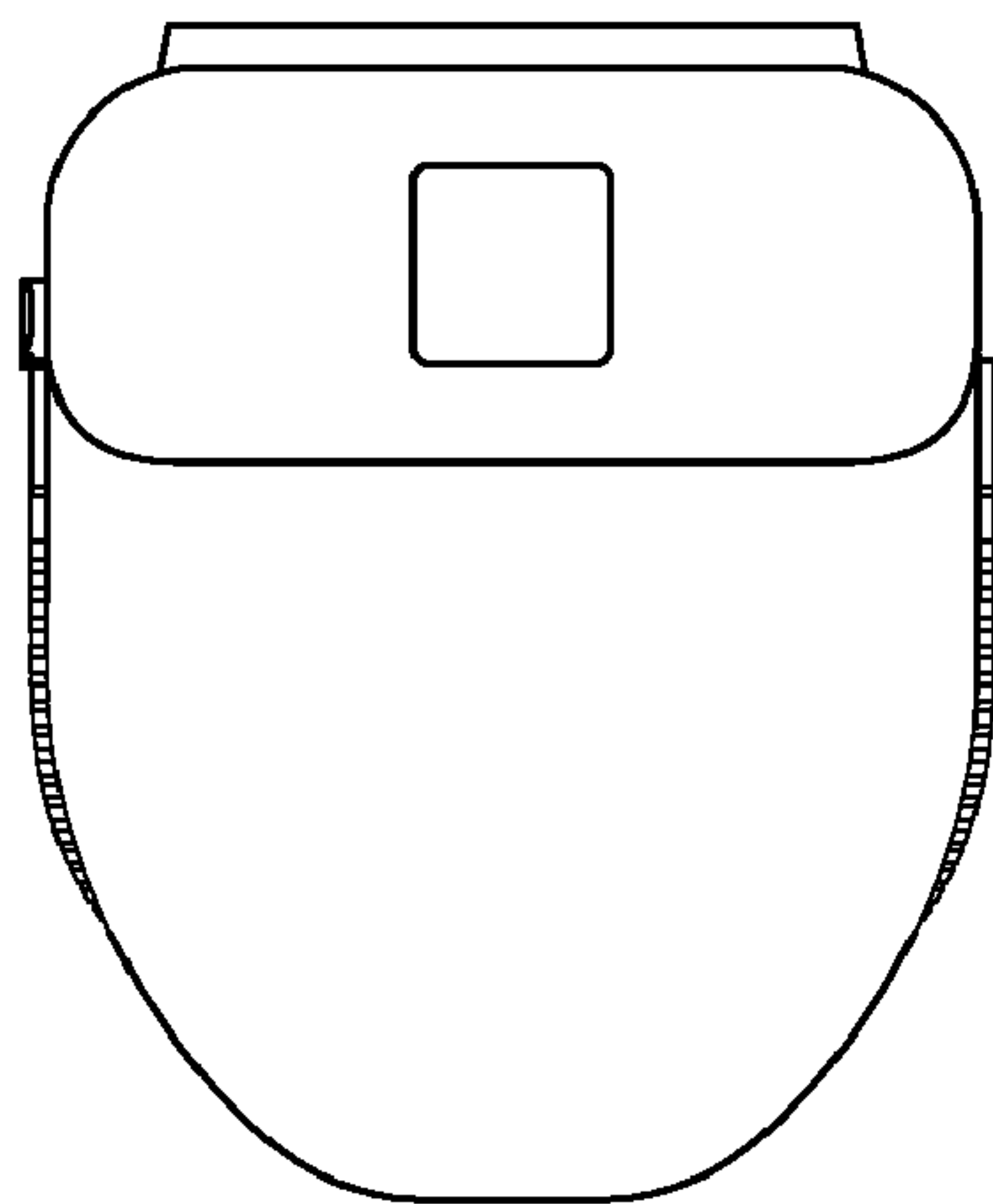


Fig. 4

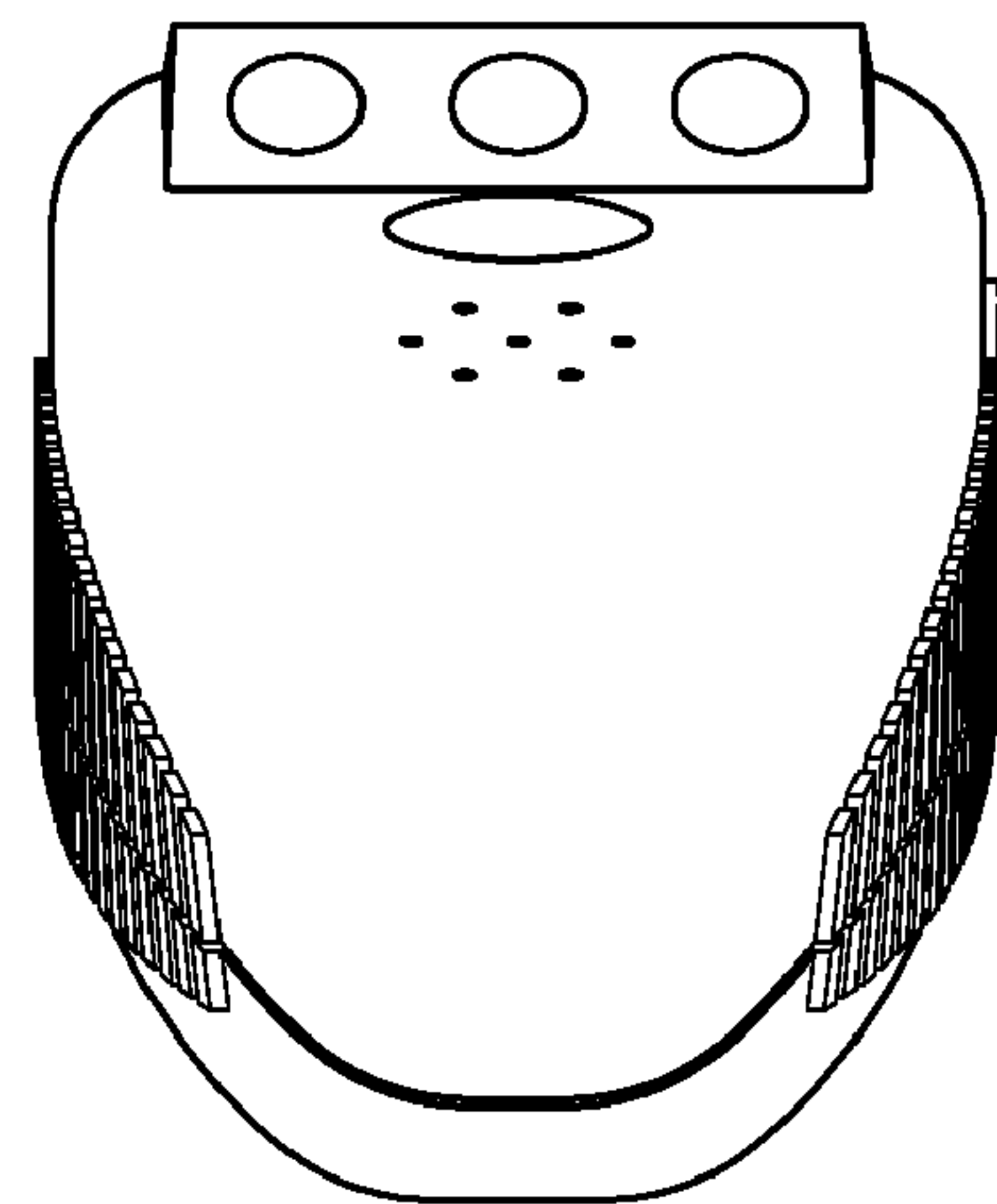


Fig. 6

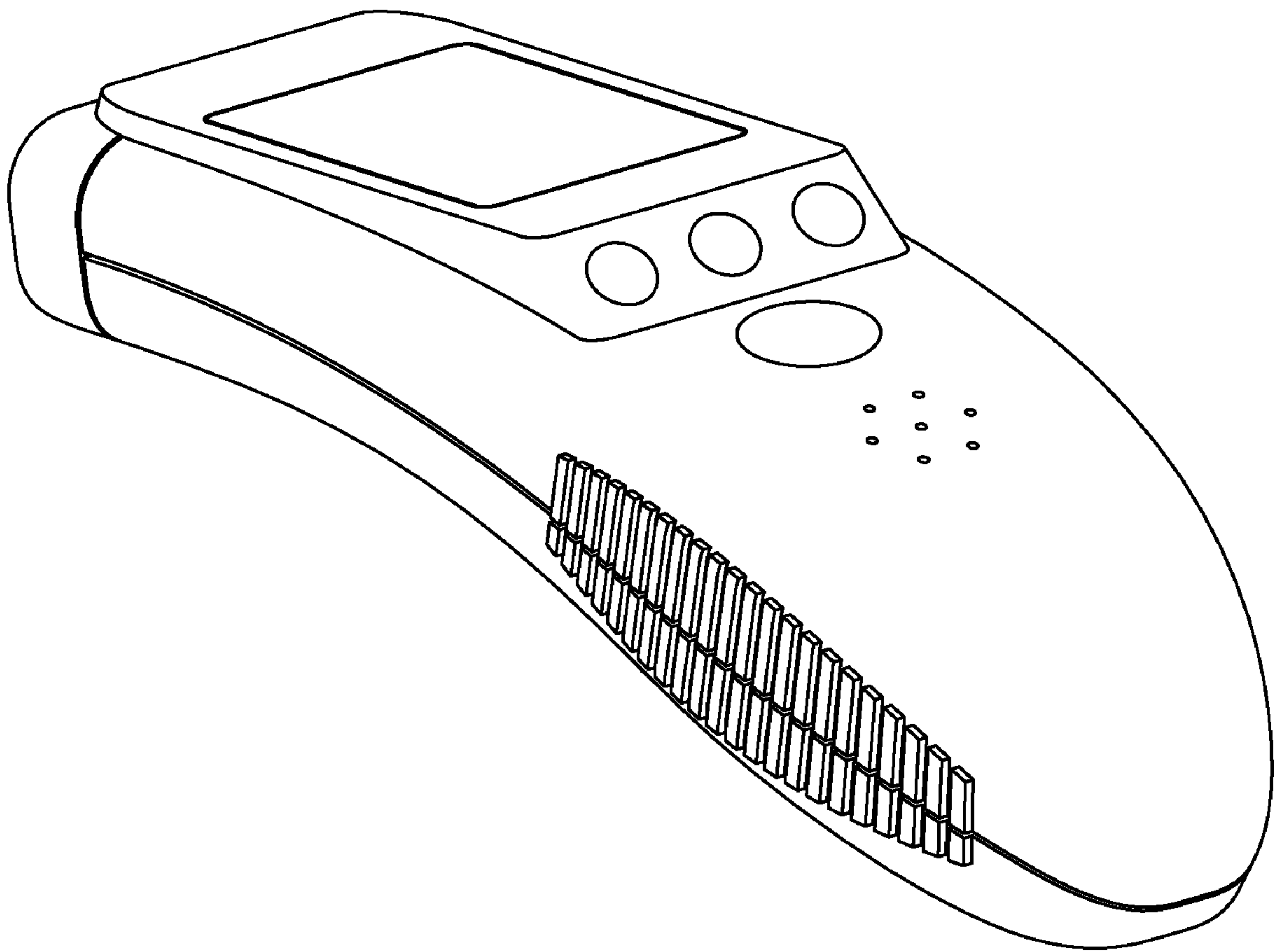


Fig. 7