



US00D617214S

(12) **United States Design Patent**
Siegler et al.

(10) **Patent No.:** **US D617,214 S**
(45) **Date of Patent:** **** Jun. 8, 2010**

(54) **SENSOR HOUSING**

(75) Inventors: **Ralf Siegler**, Schlier (DE); **Peter Breh**, West Chester, PA (US); **Georg Kaluza**, Velbert (DE)

(73) Assignee: **ifm electronic, GmbH**, Tett nang (DE)

(**) Term: **14 Years**

(21) Appl. No.: **29/296,104**

(22) Filed: **Oct. 12, 2007**

(51) **LOC (9) Cl.** **10-04**

(52) **U.S. Cl.** **D10/46**

(58) **Field of Classification Search** D10/46;
73/431; 174/50; 250/239

See application file for complete search history.

(56) **References Cited**

U.S. PATENT DOCUMENTS

6,518,565 B1 * 2/2003 Wu et al. 250/239
6,794,639 B2 * 9/2004 Lautenschlager et al. ... 250/239
6,911,648 B2 * 6/2005 Wu et al. 250/239

7,102,078 B2 * 9/2006 Weber et al. 174/50
2009/0095074 A1 * 4/2009 Vinshtok et al. 73/431

* cited by examiner

Primary Examiner—Antoine D Davis

(74) *Attorney, Agent, or Firm*—Johnson & Scaturro, LLC; Christine Johnson

(57) **CLAIM**

The ornamental design for a sensor housing, as shown.

DESCRIPTION

FIG. 1 is a perspective view from the rear of a sensor housing showing my new design;

FIG. 2 is a rear elevational view thereof;

FIG. 3 is a top plan view thereof;

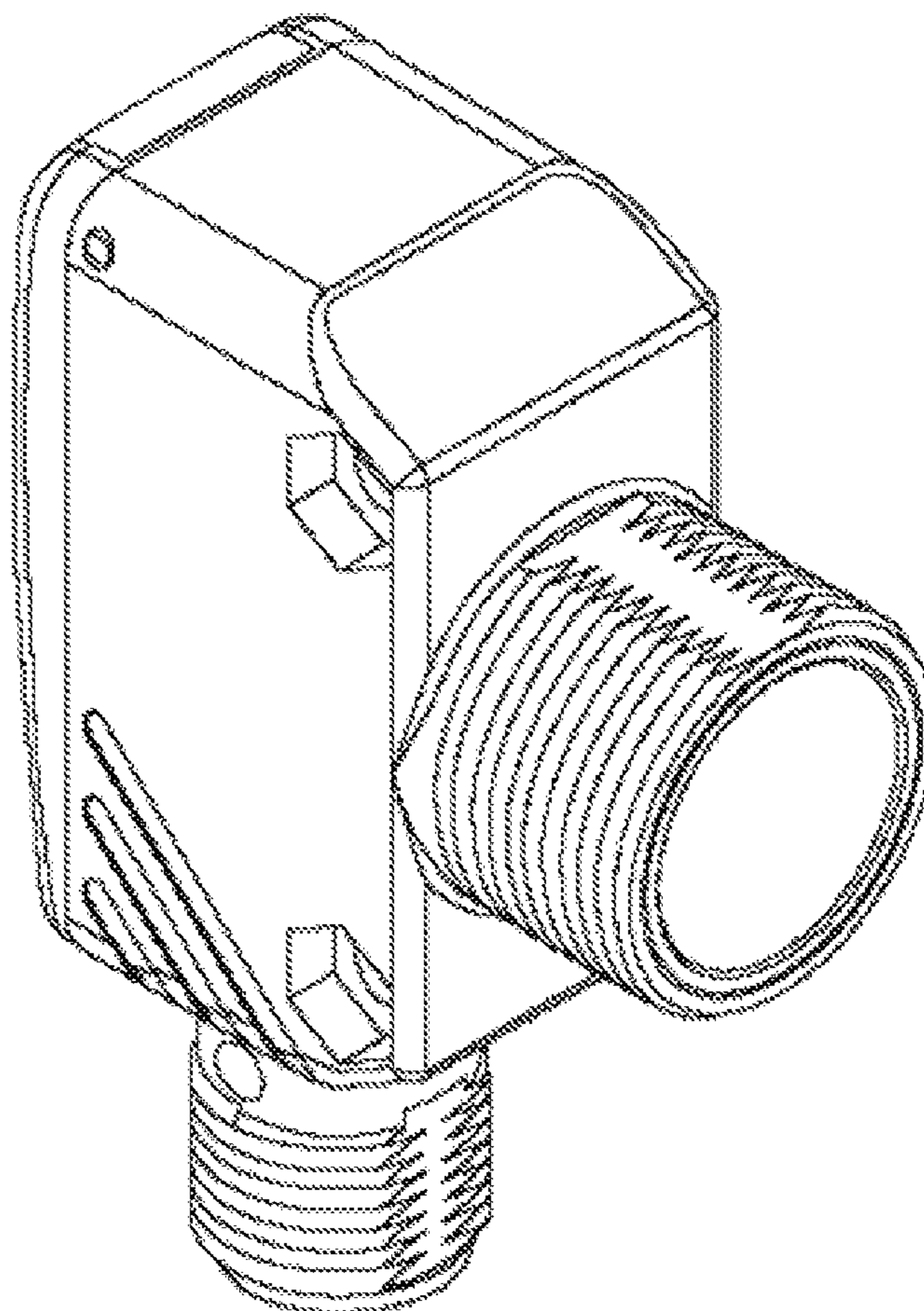
FIG. 4 is a bottom plan view thereof;

FIG. 5 left side elevational view thereof;

FIG. 6 is a front elevation view thereof; and,

FIG. 7 is a perspective view from the bottom thereof thereof.

1 Claim, 7 Drawing Sheets



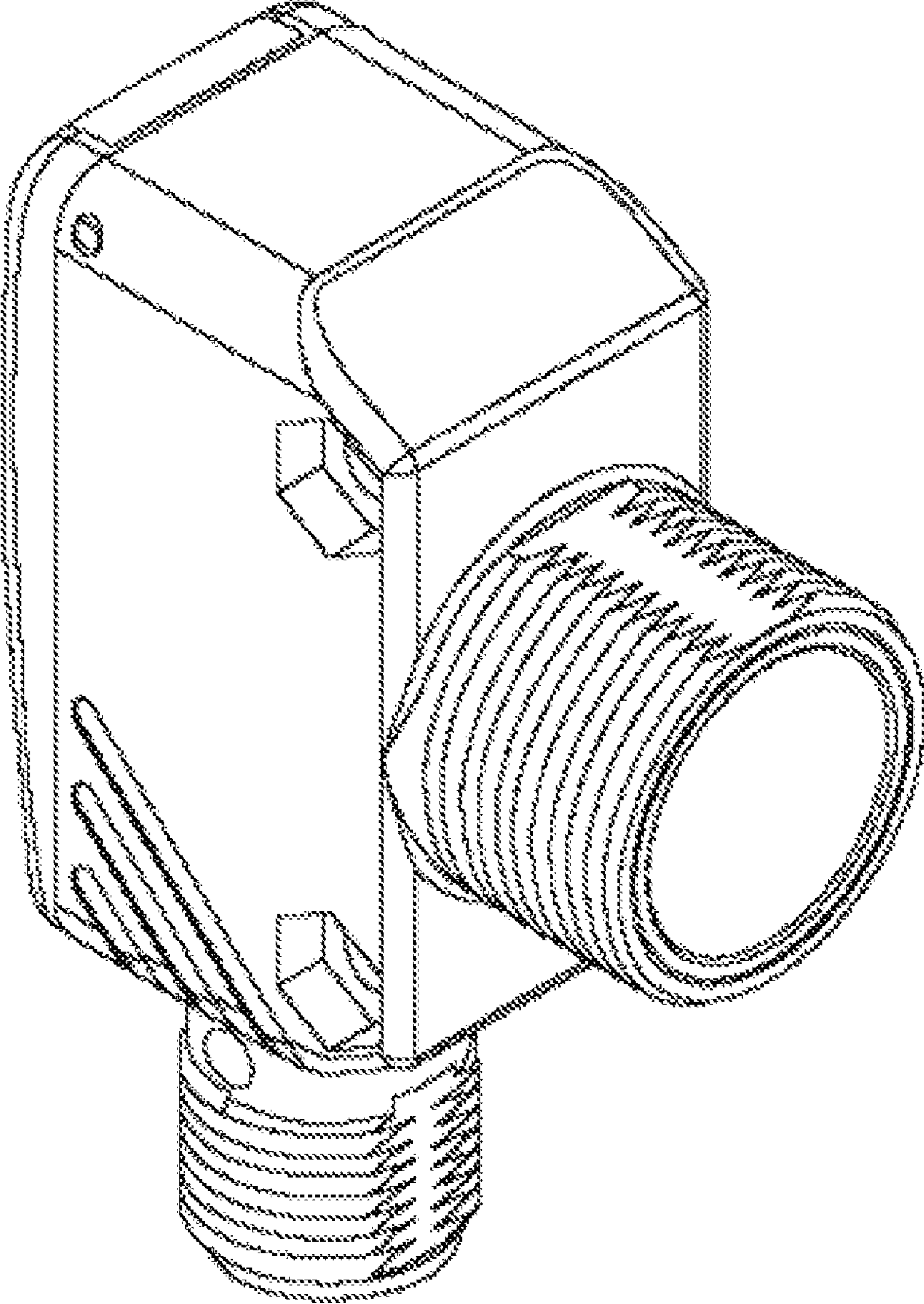


FIG. 1

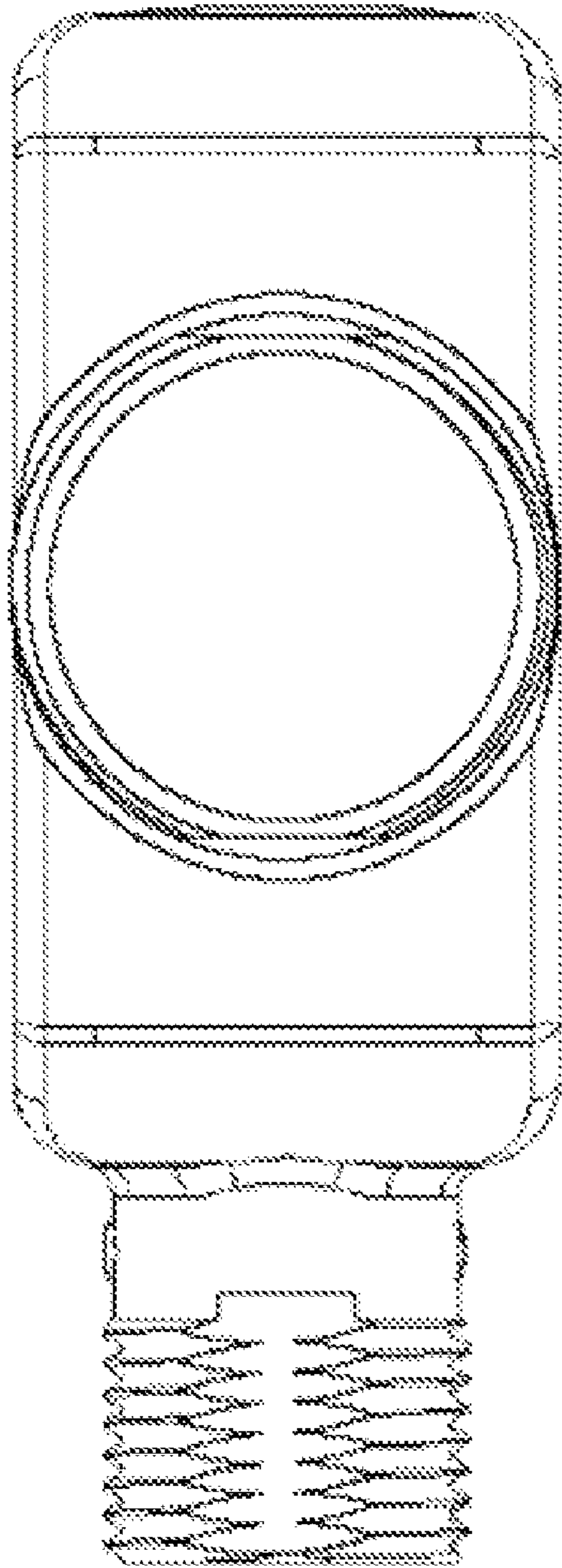


FIG. 2

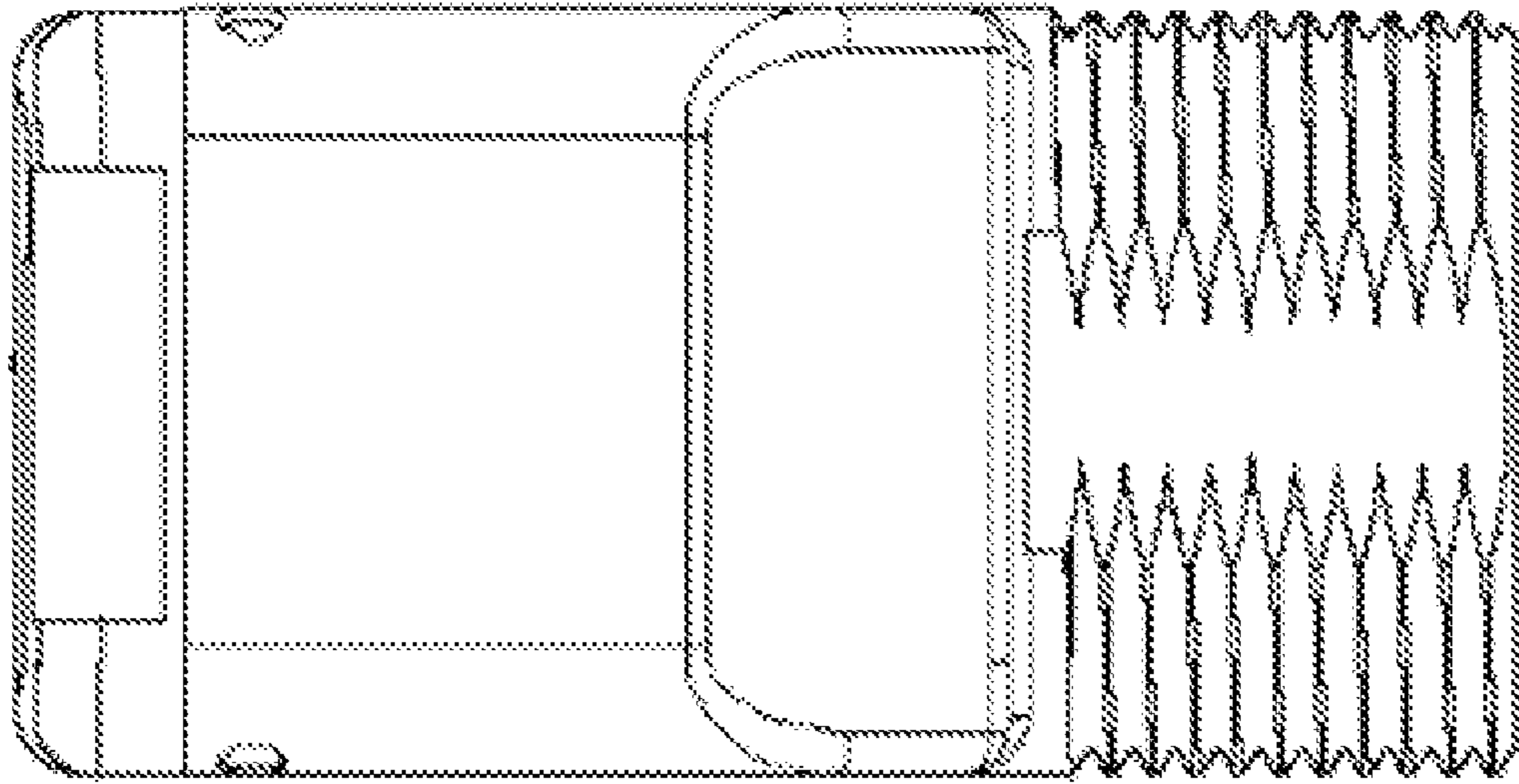


FIG. 3

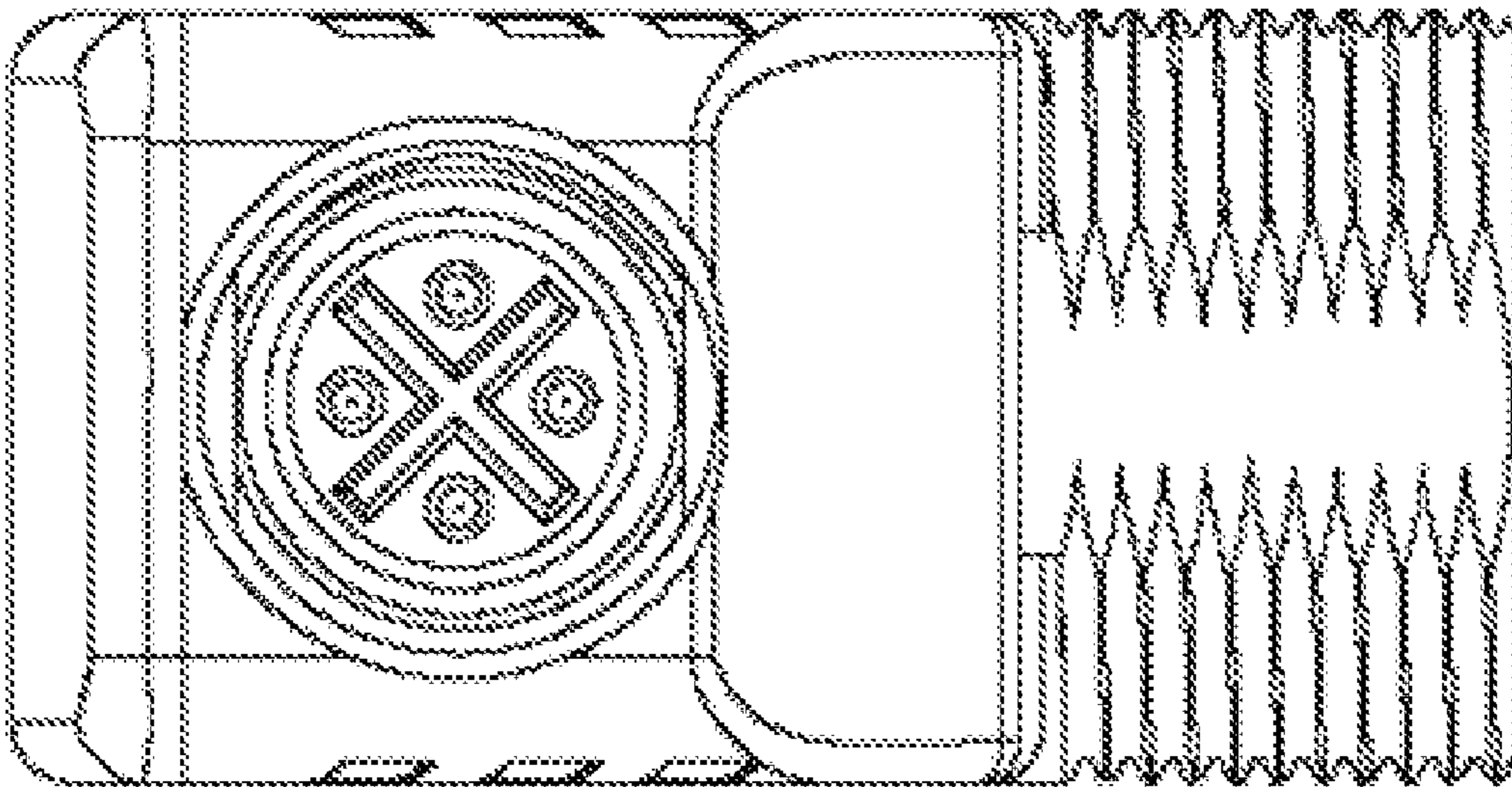


FIG. 4

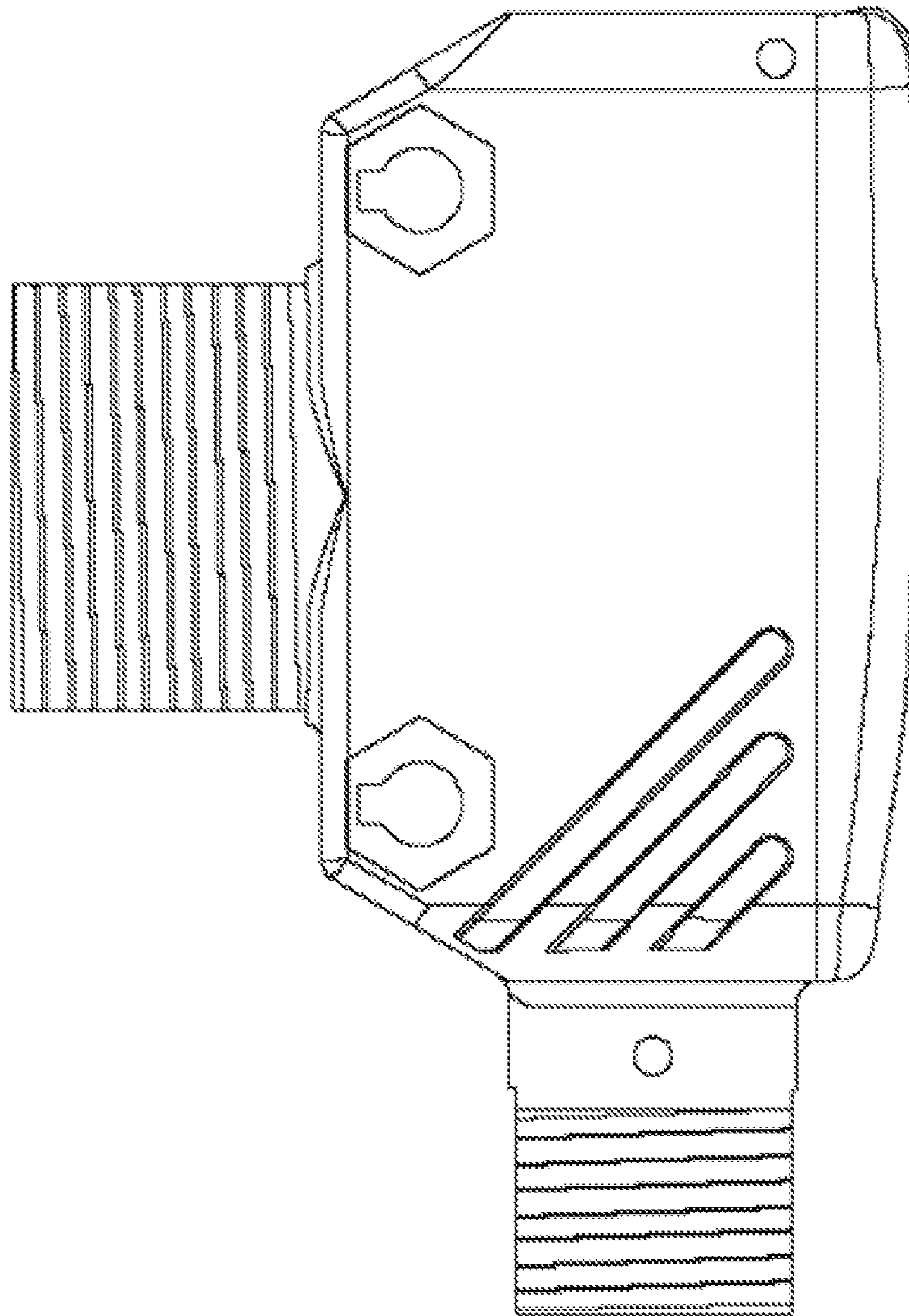


FIG. 5

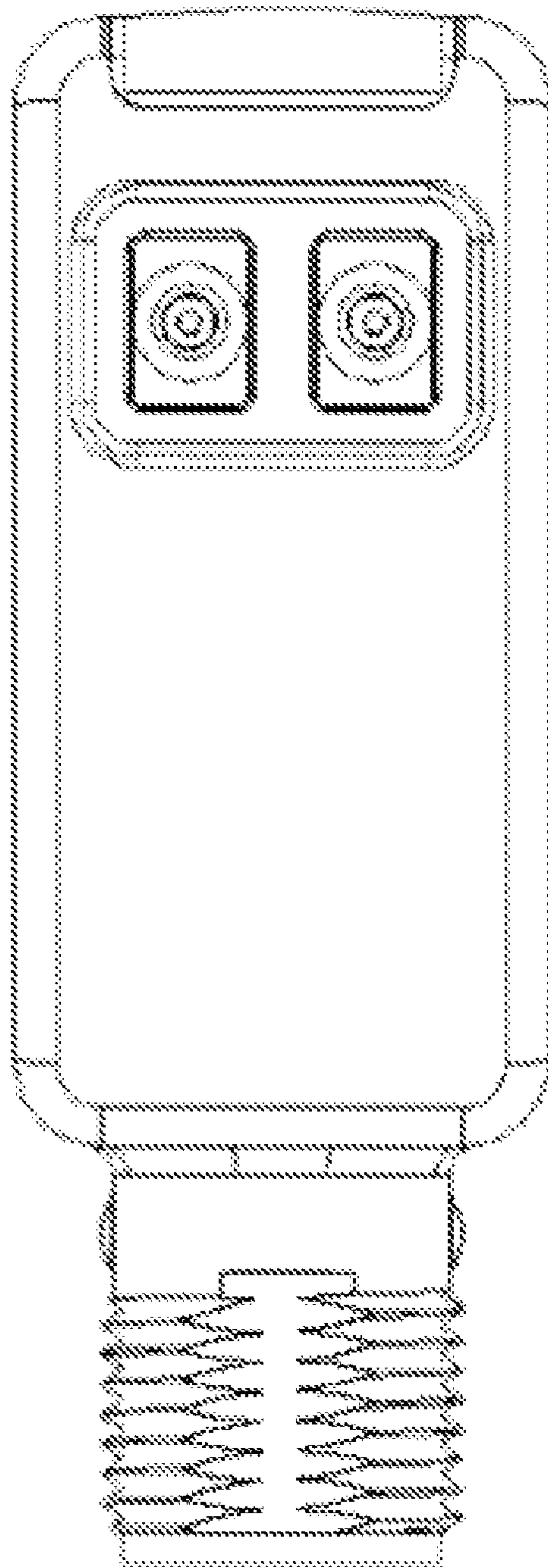


FIG. 6

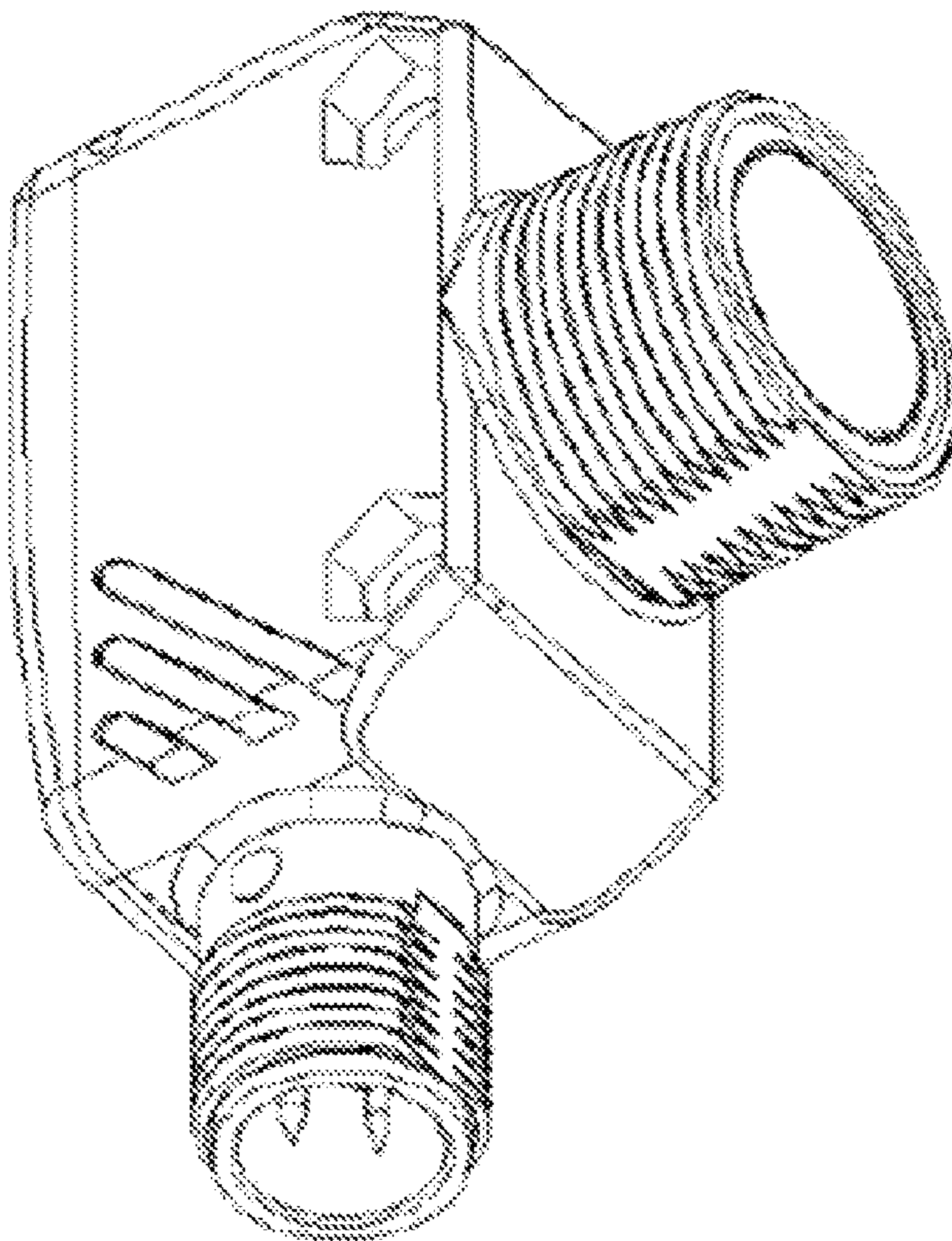


FIG. 7