



US00D617213S

(12) **United States Design Patent**
Dolce et al.

(10) **Patent No.:** **US D617,213 S**
(45) **Date of Patent:** **** Jun. 8, 2010**

(54) **CASE FOR A WATCH**

(75) Inventors: **Domenico Dolce**, Milan (IT); **Stefano Gabbana**, Milan (IT)

(73) Assignee: **Dolce & Gabbana S.r.l.**, Milan MI (IT)

(**) Term: **14 Years**

(21) Appl. No.: **29/347,127**

(22) Filed: **Sep. 28, 2009**

(30) **Foreign Application Priority Data**

Jul. 7, 2009 (EM) 001150874

(51) **LOC (9) Cl.** **10-02**

(52) **U.S. Cl.** **D10/38**

(58) **Field of Classification Search** D10/30-39;
368/276, 281, 282, 285
See application file for complete search history.

(56) **References Cited**

U.S. PATENT DOCUMENTS

D221,789 S *	9/1971	Kolbrener	D10/39
D317,265 S *	6/1991	Giolla et al.	D10/39
D325,351 S *	4/1992	Alberti	D10/30
D352,470 S *	11/1994	Besson	D10/39
5,508,979 A *	4/1996	Eisenegger	368/15
D371,077 S *	6/1996	Terashima	D10/30
D436,319 S *	1/2001	Giardiello	D10/39
D488,724 S *	4/2004	Bertucci	D10/30
D502,413 S *	3/2005	Sugiura et al.	D10/39

D545,222 S *	6/2007	Parmigiani	D10/38
D570,231 S *	6/2008	Actis-Datta	D10/38
D587,140 S *	2/2009	Kauffmann	D10/38
D590,274 S *	4/2009	Monachon	D10/31
D590,727 S *	4/2009	Wei	D10/38
D592,975 S *	5/2009	Markl	D10/32
D596,959 S *	7/2009	Rousseau	D10/38

* cited by examiner

Primary Examiner—Lucy Lieberman

(74) *Attorney, Agent, or Firm*—Jacobson Holman PLLC

(57) **CLAIM**

The ornamental design for a case for a watch, as shown and described.

DESCRIPTION

FIG. 1 is a front perspective view of a case for a watch showing our design;

FIG. 2 is a top view thereof;

FIG. 3 is a bottom view thereof;

FIG. 4 is an elevational view of the right side of the case;

FIG. 5 is an elevational view of the left side opposite to that of FIG. 4;

FIG. 6 is an elevational view of one side of the case comprising the seat for a watch strap; and,

FIG. 7 is an elevational view of the side opposite to that of FIG. 6.

1 Claim, 4 Drawing Sheets

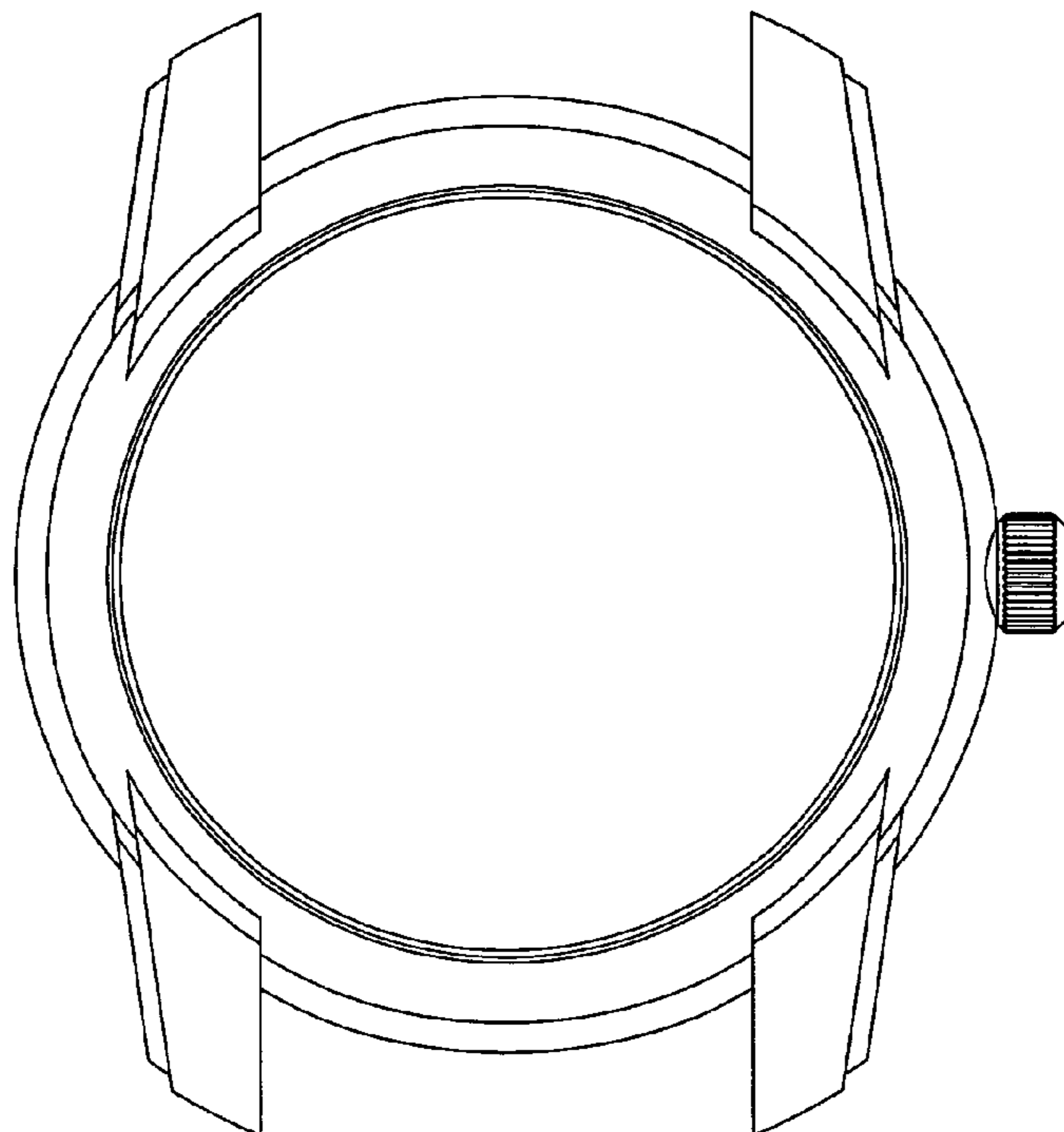
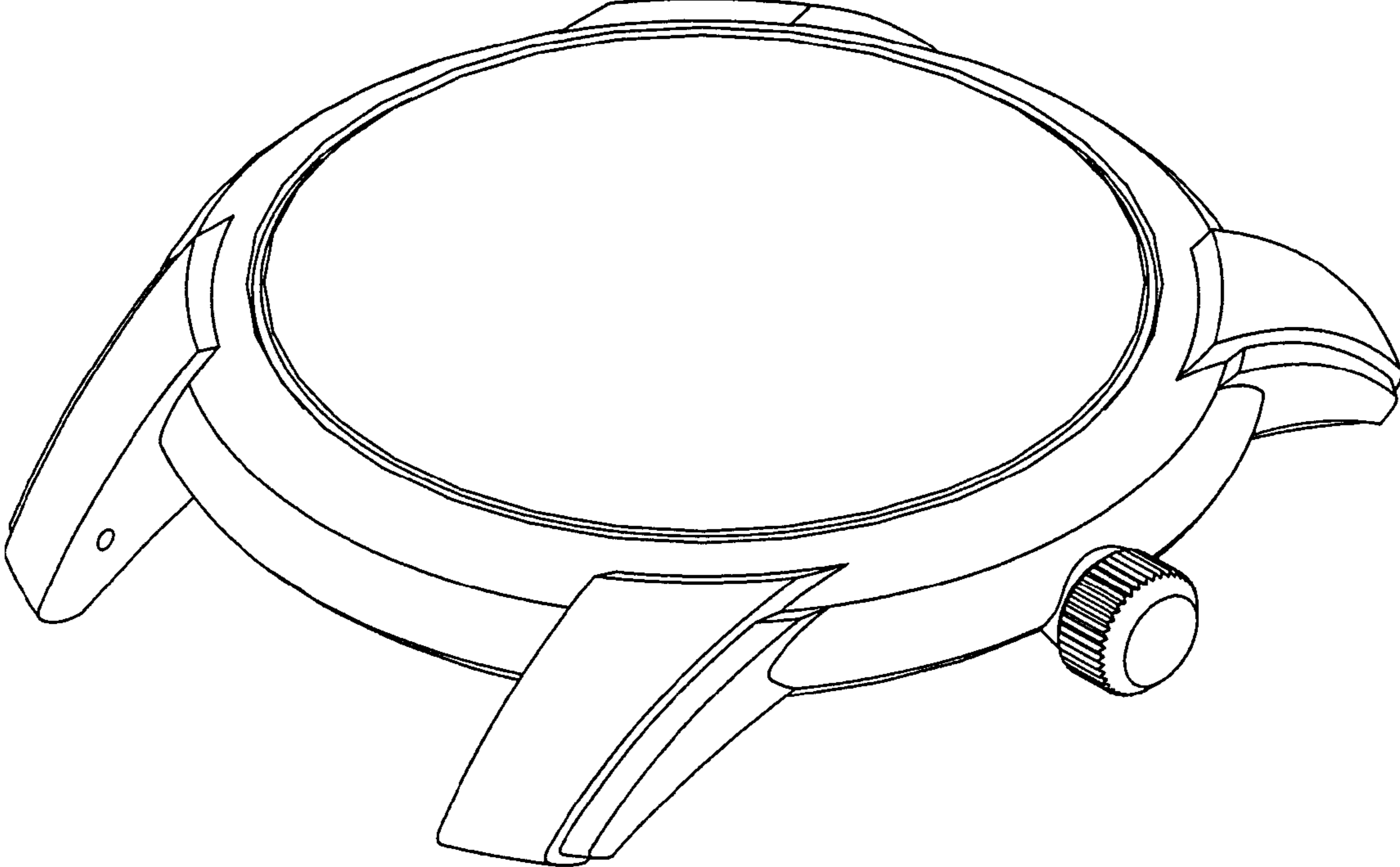


Fig. 1



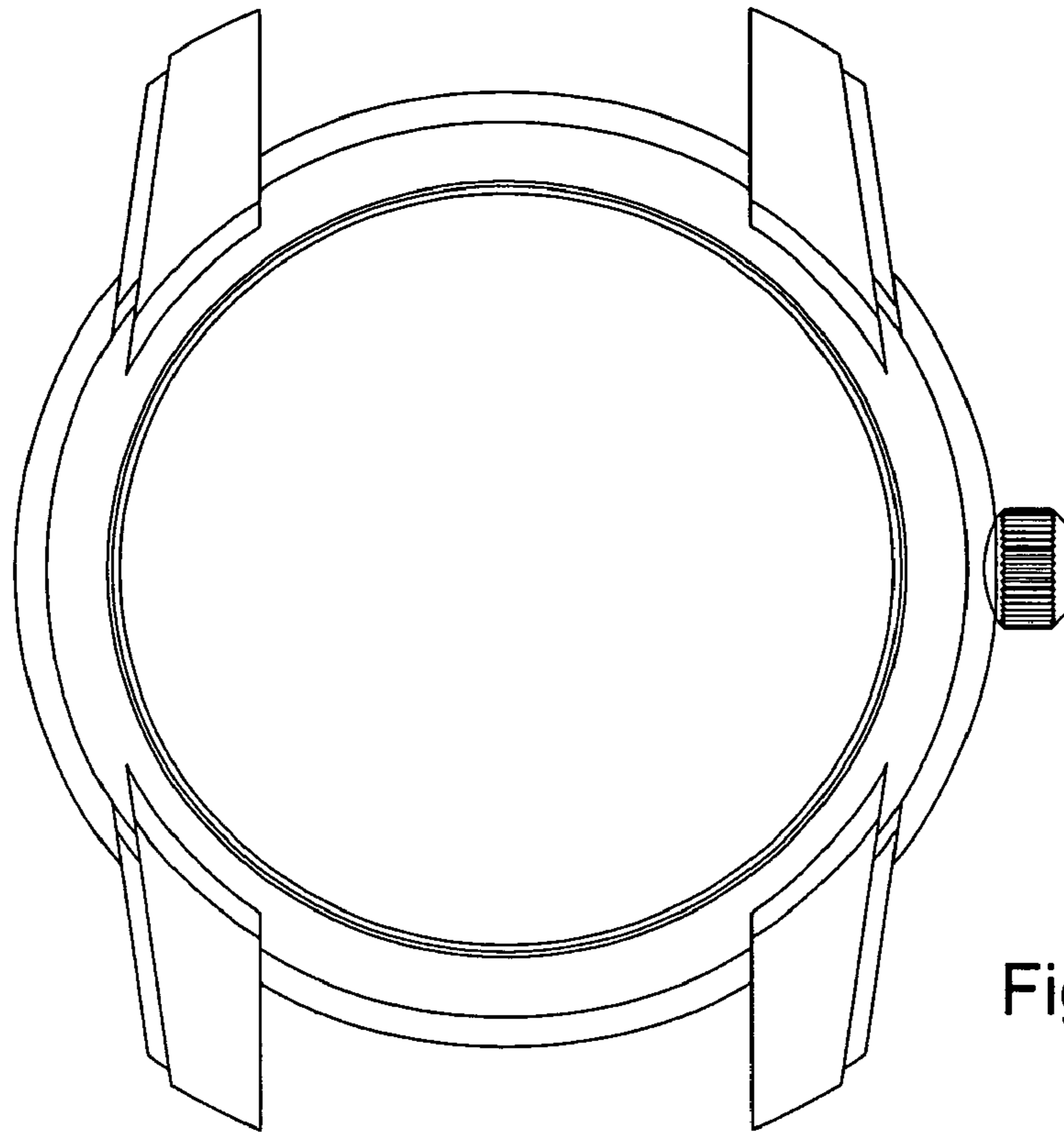


Fig. 2

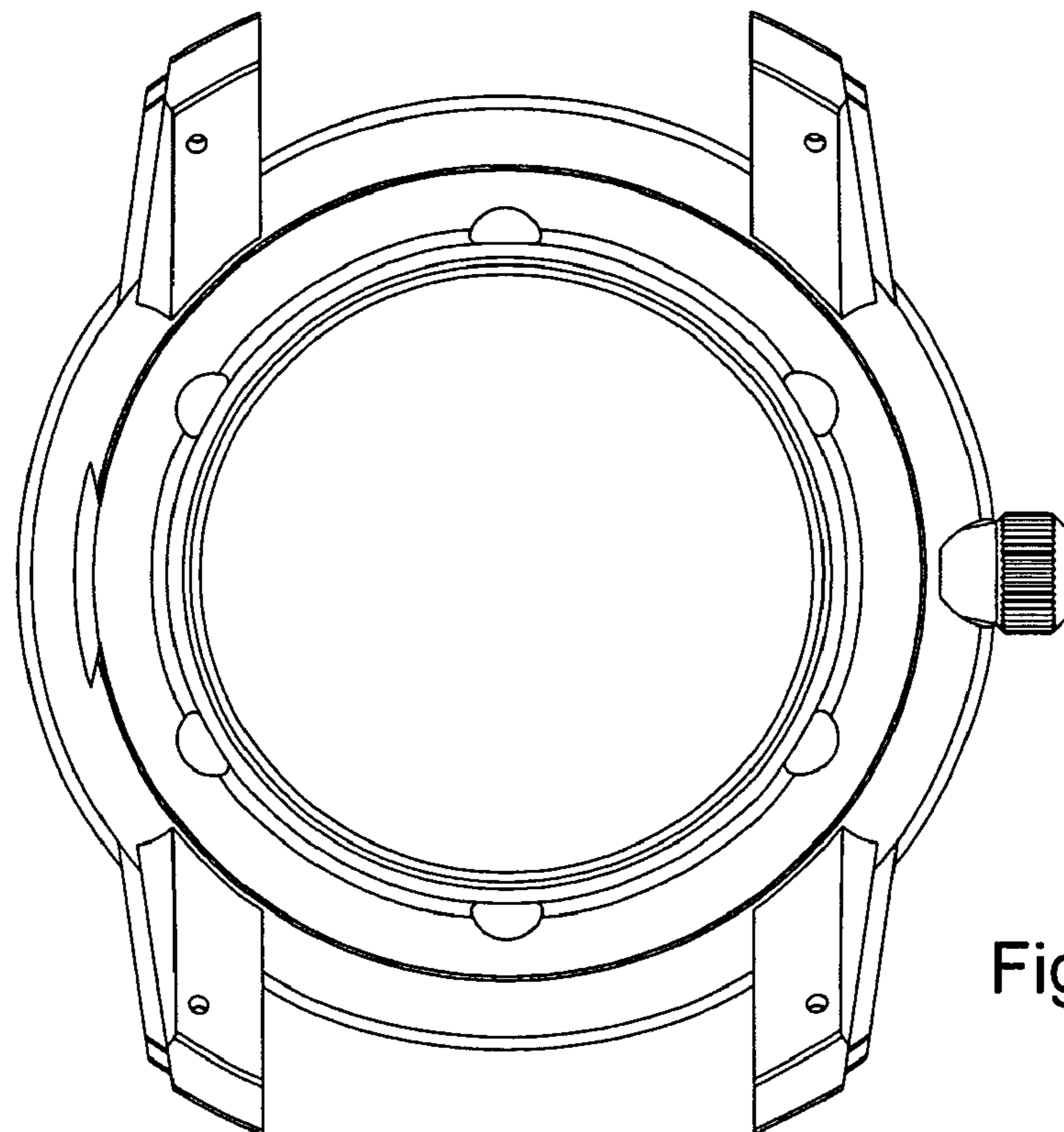


Fig. 3

Fig. 4

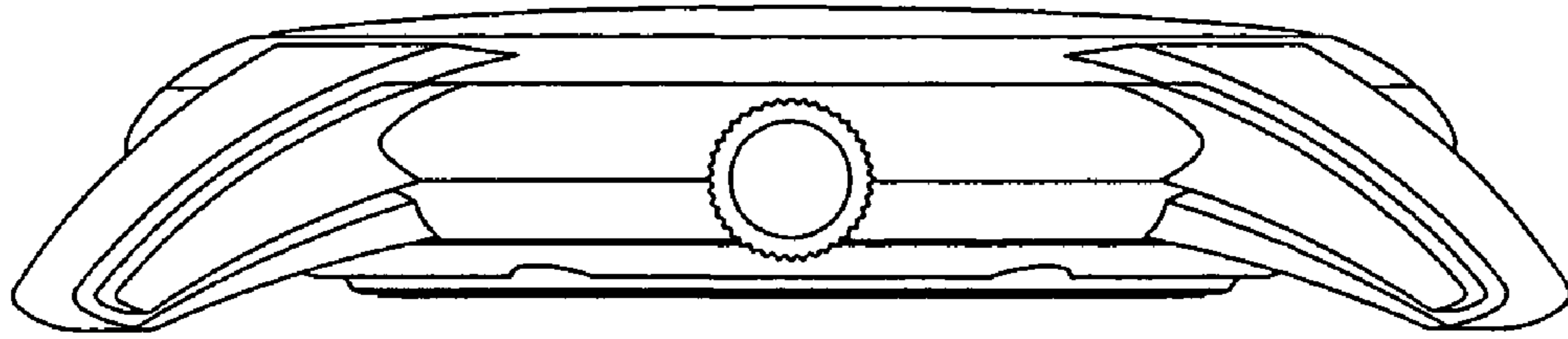


Fig. 5

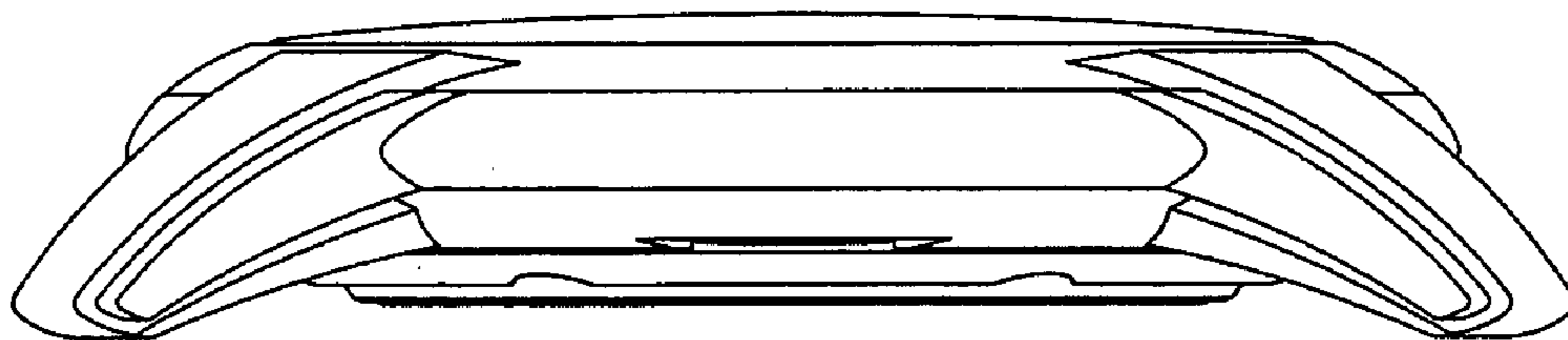


Fig. 6

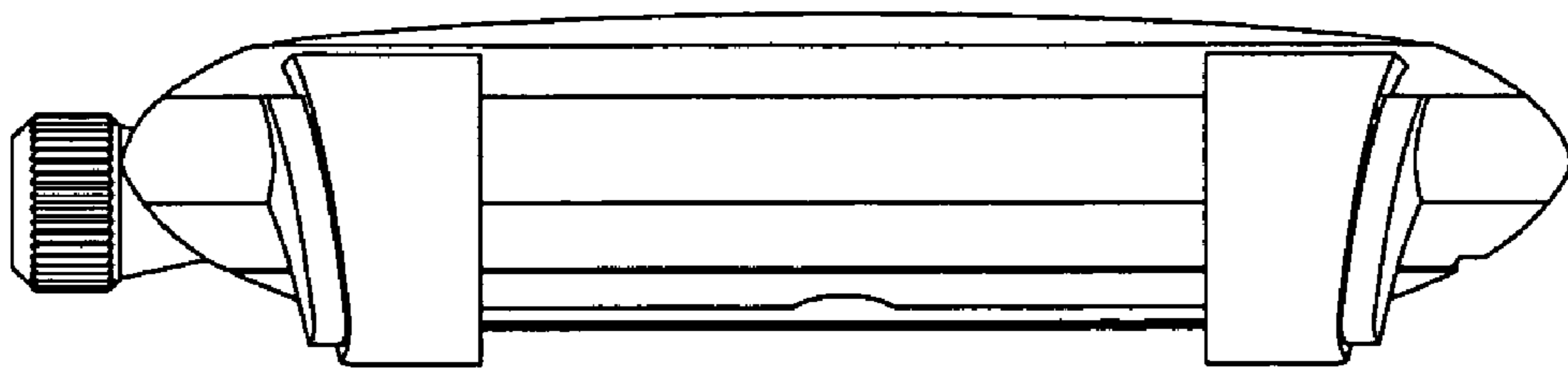


Fig. 7

