

US00D617212S

(12) **United States Design Patent**
Behling

(10) **Patent No.:** **US D617,212 S**
(45) **Date of Patent:** **** Jun. 8, 2010**

(54) **WATCH CASE**

(75) Inventor: **Christoph Behling**, London (GB)

(73) Assignee: **Tag Heuer SA**, La Chaux-de-Fonds (CH)

(**) Term: **14 Years**

(21) Appl. No.: **29/342,419**

(22) Filed: **Aug. 25, 2009**

(30) **Foreign Application Priority Data**

Mar. 11, 2009 (WO) DM/071 478

(51) **LOC (9) Cl.** **10-02**

(52) **U.S. Cl.** **D10/38**

(58) **Field of Classification Search** D10/30-39;
368/276, 277, 281, 282, 285, 286, 287, 288,
368/308, 319

See application file for complete search history.

(56) **References Cited**

U.S. PATENT DOCUMENTS

D202,061	S	*	8/1965	Montese-Caruso	D10/38
3,585,794	A	*	6/1971	Klingenberg	368/281
3,740,944	A	*	6/1973	Chopard	368/281
4,218,873	A	*	8/1980	Lang	368/281
4,241,442	A	*	12/1980	Grohoski	368/294
4,390,288	A	*	6/1983	Arnoux	368/276
D462,909	S	*	9/2002	Cattin	D10/39
6,587,400	B1	*	7/2003	Line	368/88
D490,000	S	*	5/2004	Lassigne	D10/32

D500,682	S	*	1/2005	Lalo	D10/30
D508,212	S	*	8/2005	Scheufele	D10/39
D518,389	S	*	4/2006	Jorst et al.	D10/38
D519,390	S	*	4/2006	Lovegrove	D10/39
D531,524	S	*	11/2006	Behling	D10/38
D537,371	S	*	2/2007	Belamich	D10/39
D537,741	S	*	3/2007	Gruosi-Scheufele	D10/39
D555,518	S	*	11/2007	Borraccino et al.	D10/39
D570,710	S	*	6/2008	Wong	D10/30
D577,611	S	*	9/2008	Lalo	D10/32

* cited by examiner

Primary Examiner—Lucy Lieberman

(74) *Attorney, Agent, or Firm*—Gottlieb, Rackman & Reisman, P.C.

(57) **CLAIM**

The ornamental design for a watch case, as shown and described.

DESCRIPTION

FIG. 1 is a rear elevation of a watch case showing my new design;

FIG. 2 is a right side elevation of the watch case;

FIG. 3 is a left side elevation of the watch case;

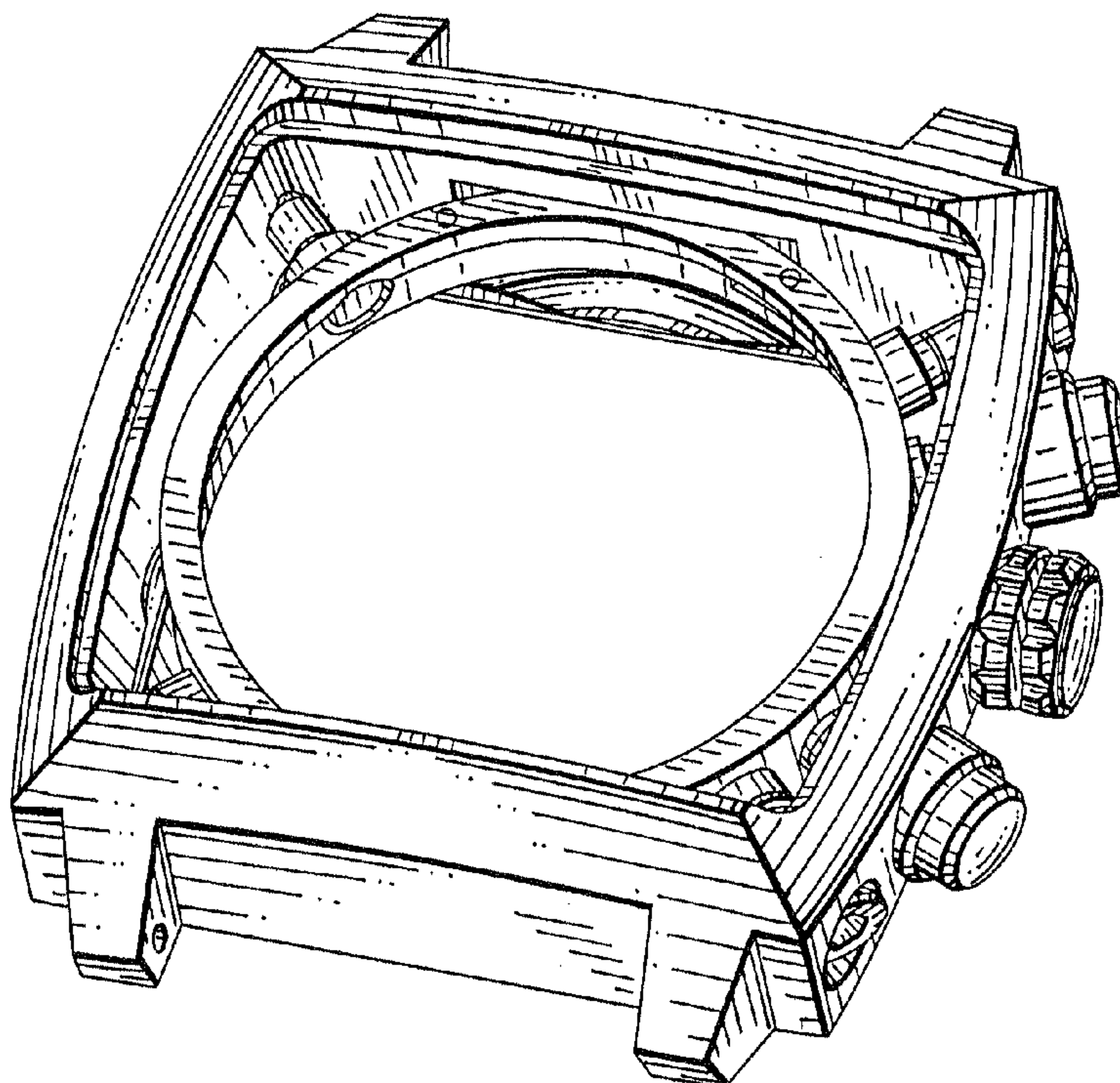
FIG. 4 is a bottom view of the watch case;

FIG. 5 is a top view of the watch case;

FIG. 6 is a front perspective view of the watch case; and,

FIG. 7 is a front elevation of the watch case.

1 Claim, 4 Drawing Sheets



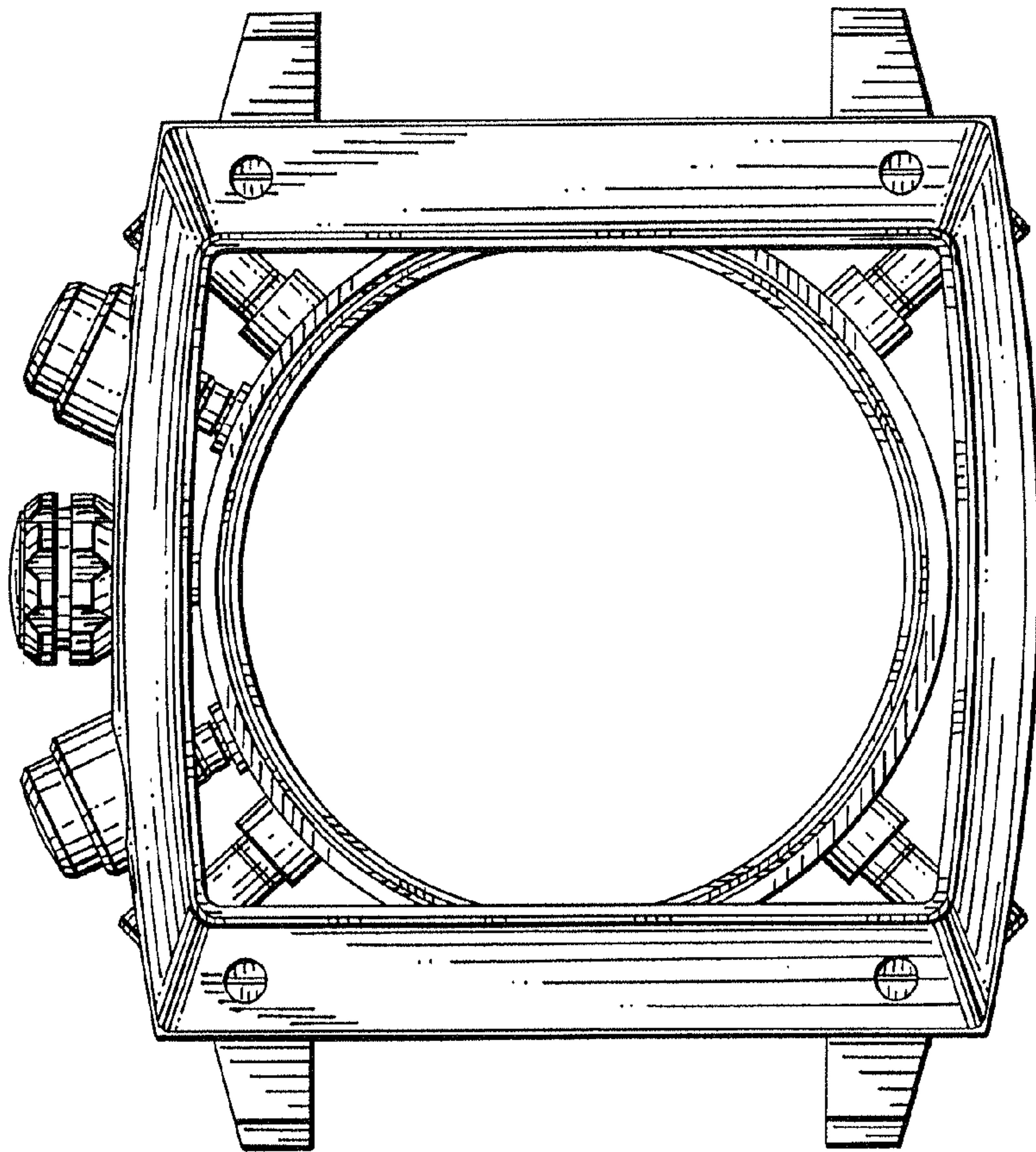


FIG. 1

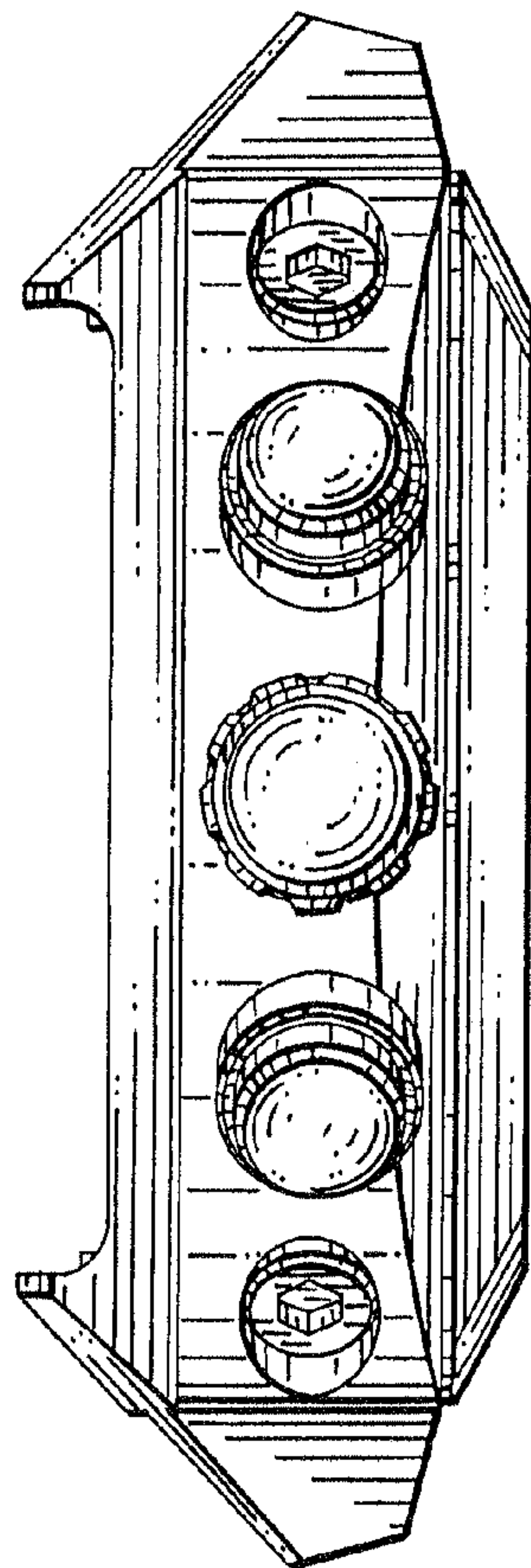


FIG. 2

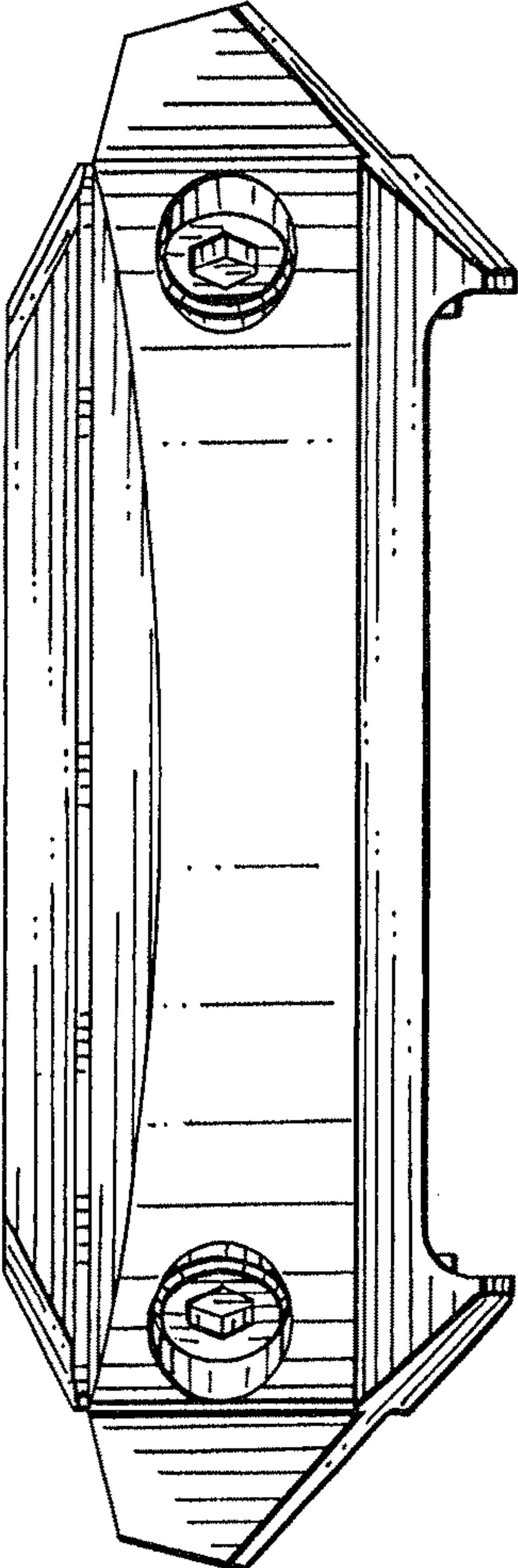


FIG. 3

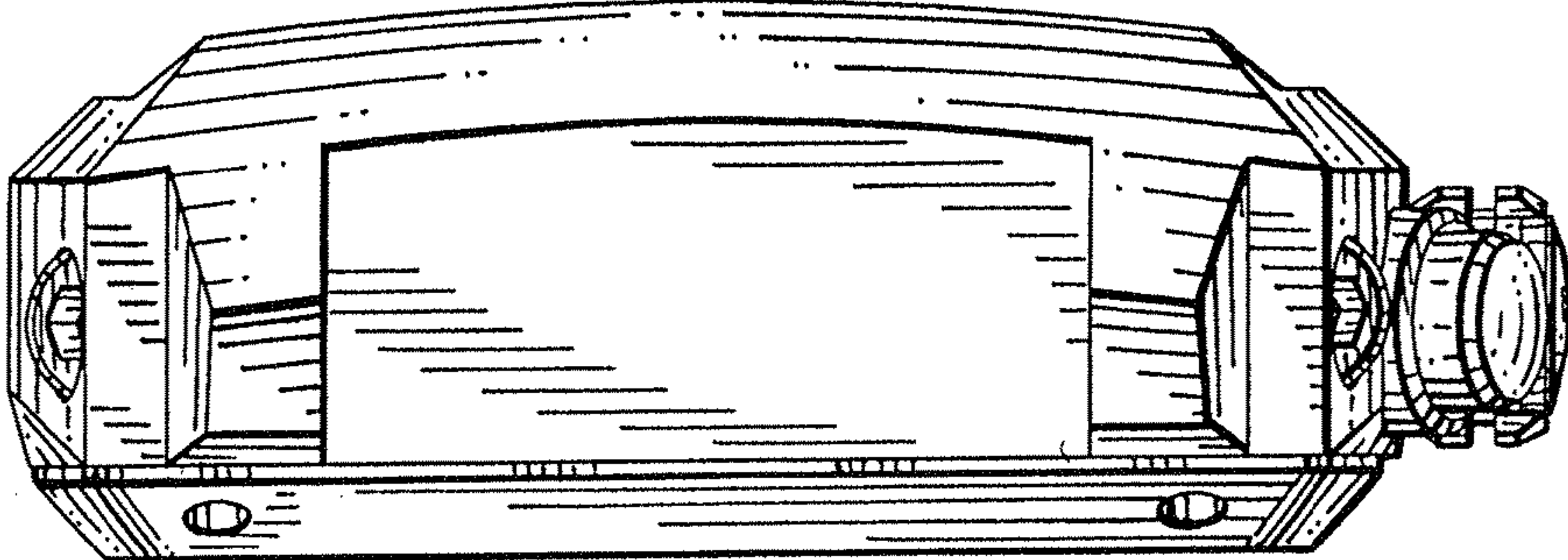


FIG. 4

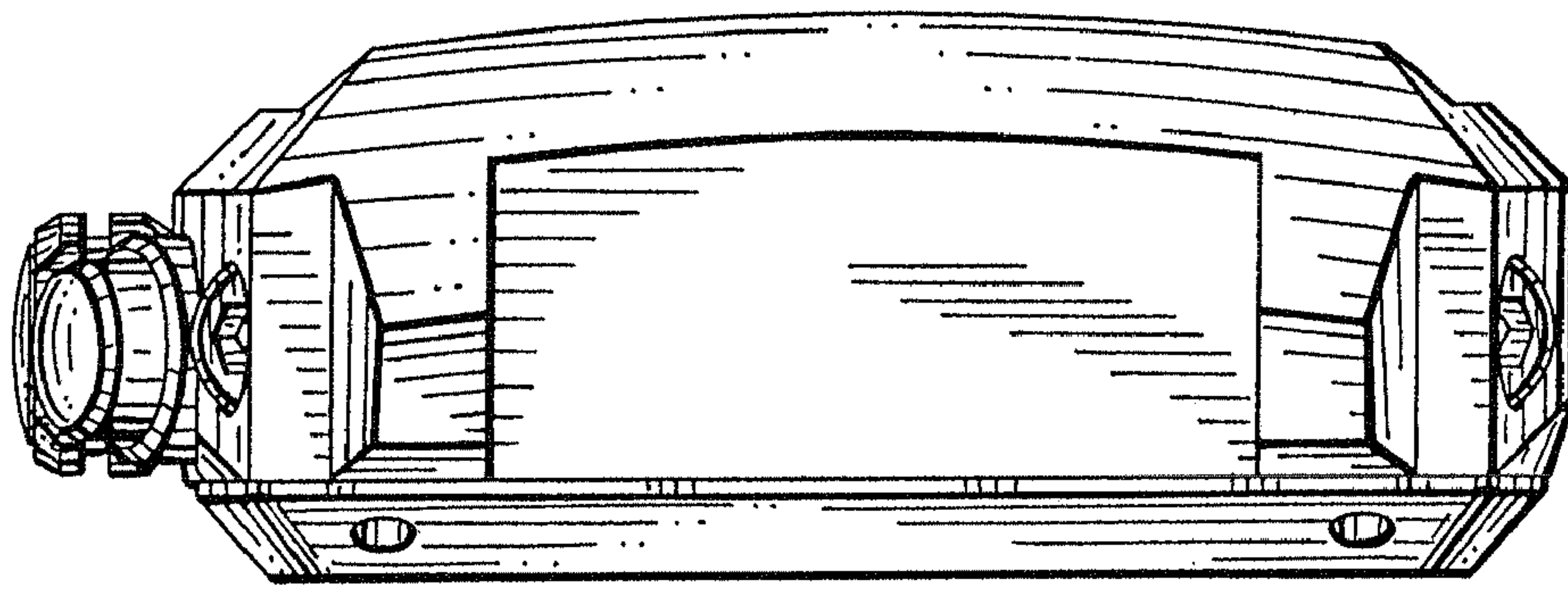


FIG. 5

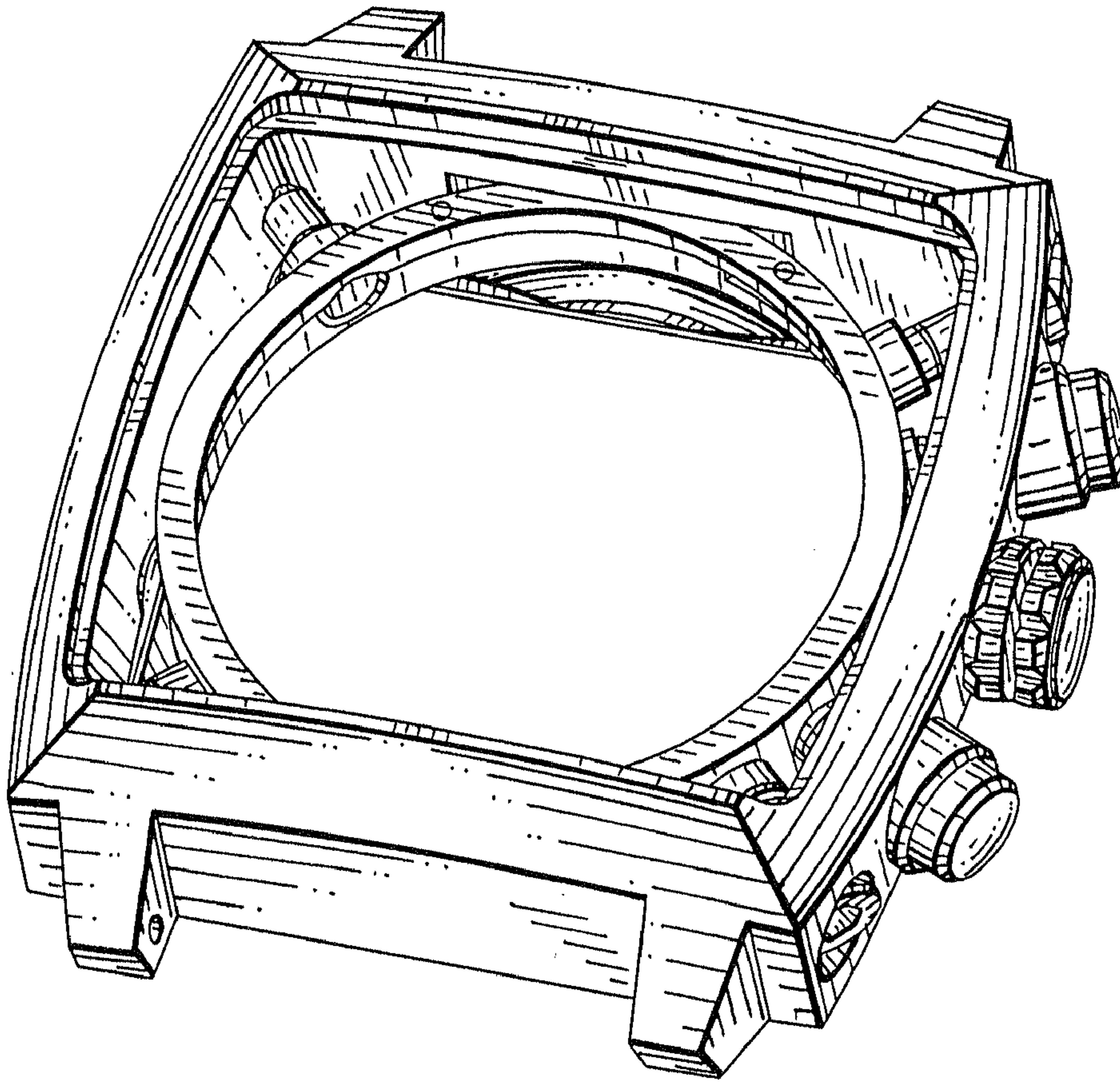


FIG. 6

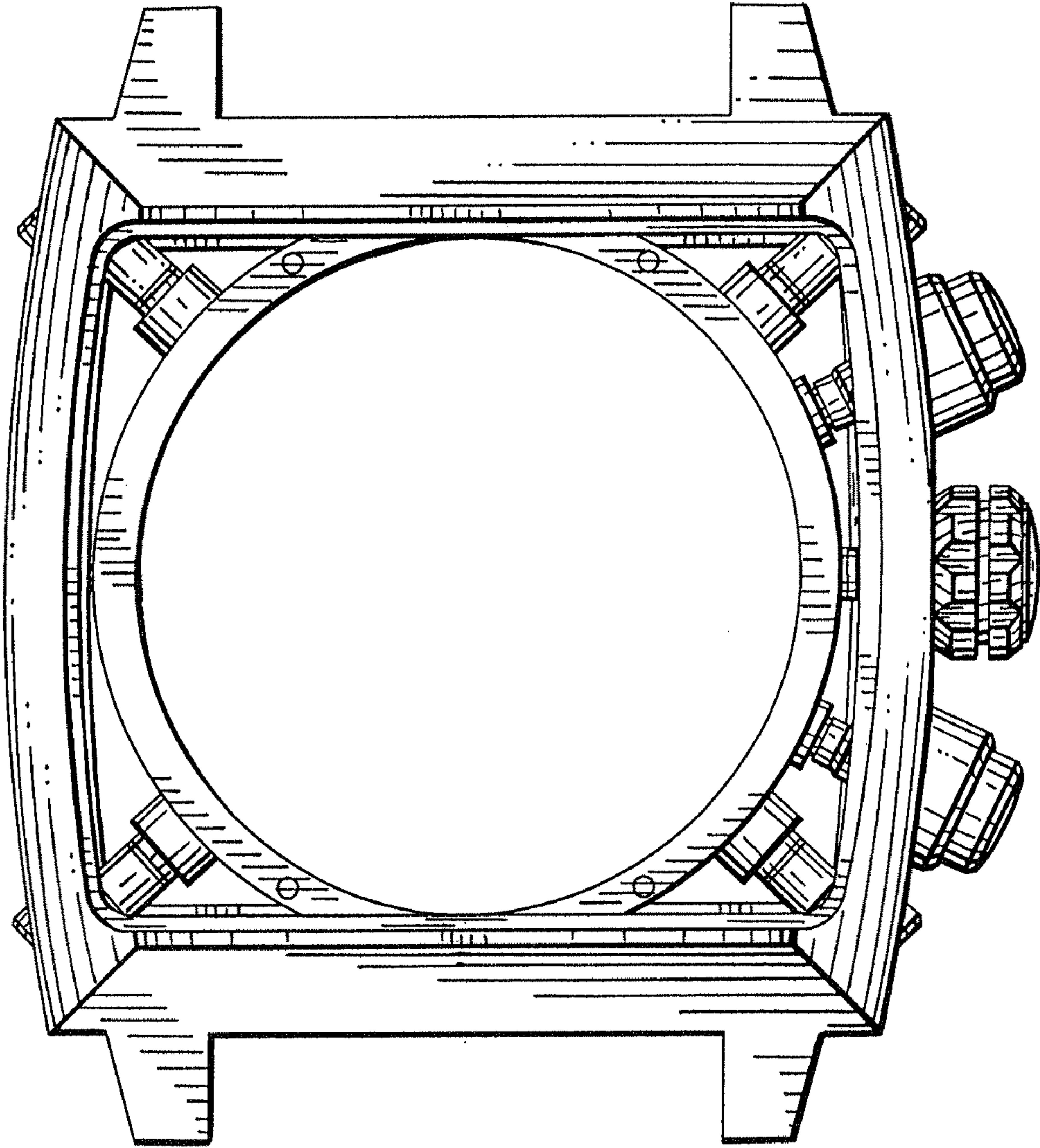


FIG. 7